

[54] **GUIDE UNIT FOR ASSOCIATING TUBULAR CASINGS WITH NUCLEAR FUEL ROD ASSEMBLIES**

[75] Inventor: Seitaro Go, Tsuruga, Japan

[73] Assignee: Ugen Kaisha Go Chuzo Tekko Sho, Fukui, Japan

[**] Term: 14 Years

[21] Appl. No.: 358,764

[22] Filed: Mar. 16, 1982

[30] **Foreign Application Priority Data**

Sep. 17, 1981 [JP] Japan 56-41385

[52] U.S. Cl. D15/199

[58] Field of Search D15/199; 29/400 N, 464, 29/468, 466, 467, 723, 728

[56] **References Cited**

U.S. PATENT DOCUMENTS

2,948,324 8/1960 Penrose 29/728

3,748,713 7/1973 Tindale 29/723
4,175,318 11/1979 Matsuura et al. 29/723

Primary Examiner—B. J. Bullock
Attorney, Agent, or Firm—Edwin E. Greigg

[57] **CLAIM**

The ornamental design for a guide unit for associating tubular casings with nuclear fuel rod assemblies, as shown and described.

DESCRIPTION

FIG. 1 is a plan view of a guide unit for associating tubular casings with nuclear fuel rod assemblies showing my new design;

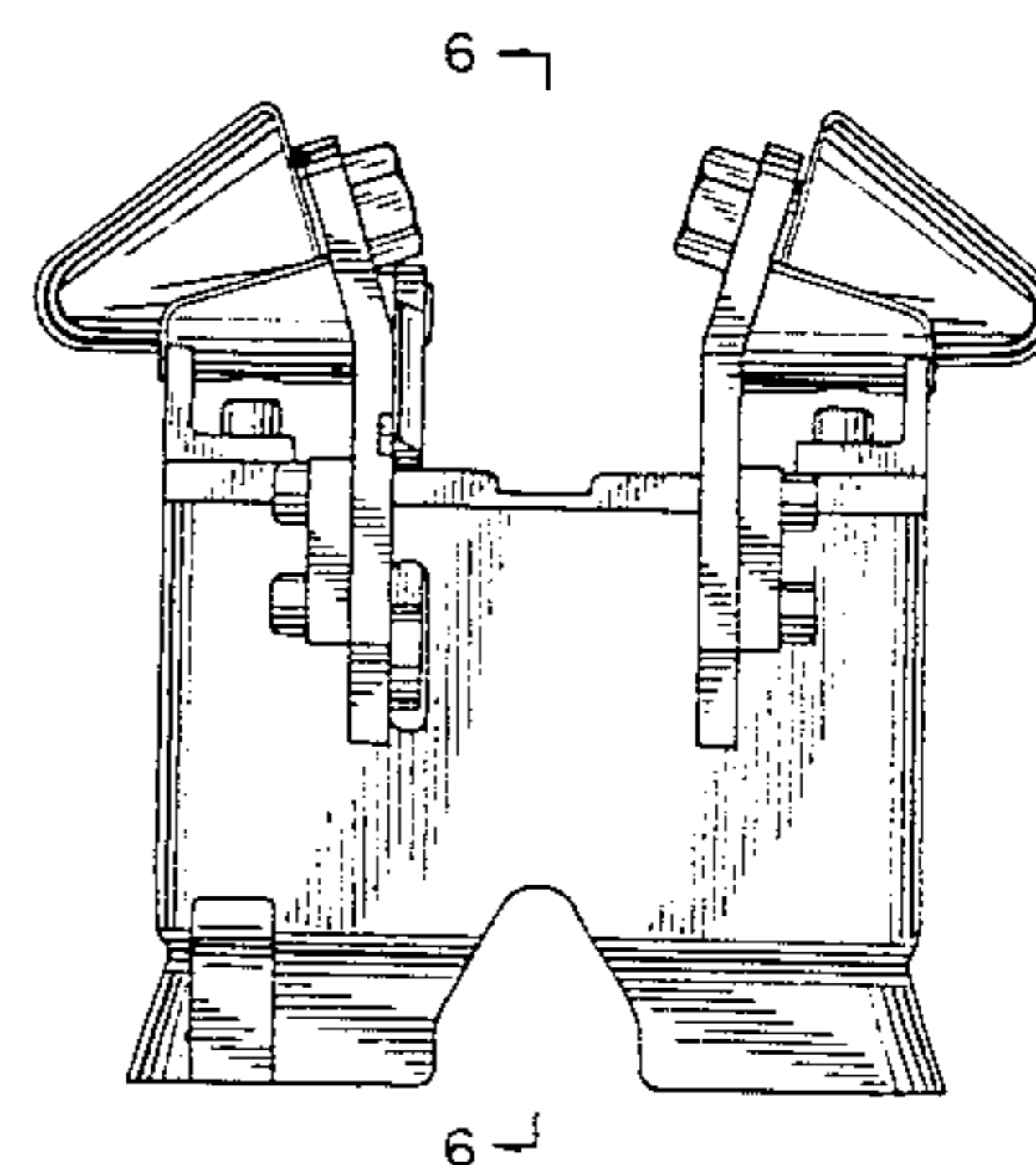
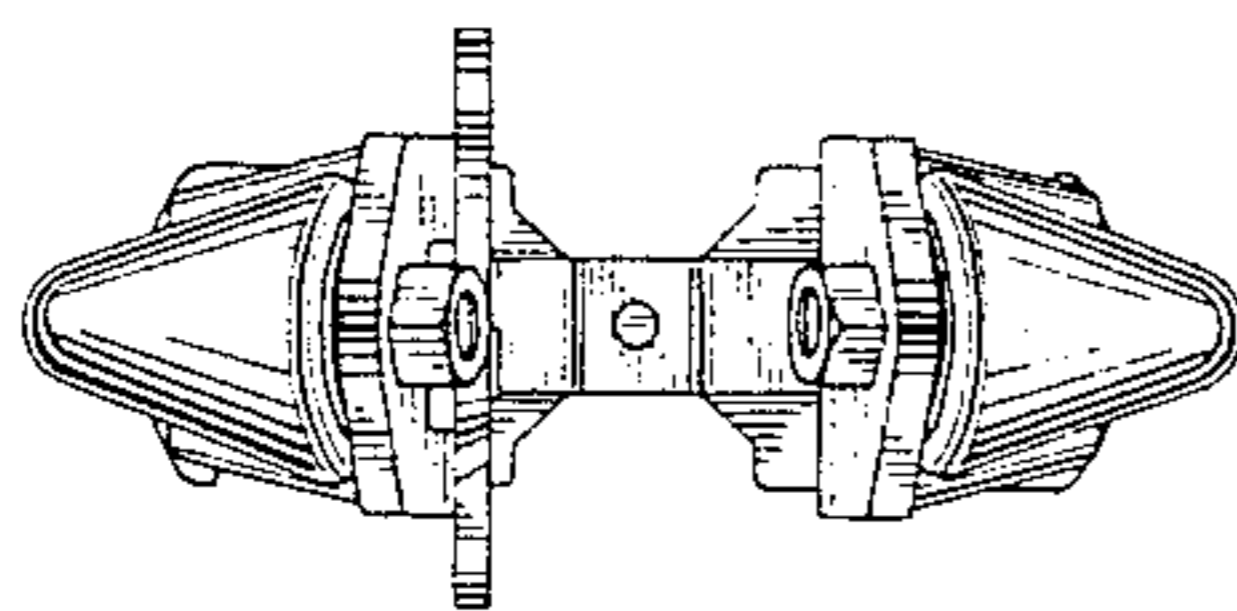
FIG. 2 is a front elevational view;

FIG. 3 is a bottom plan view;

FIG. 4 is an end elevational view, both ends being identical;

FIG. 5 is a rear elevational view; and

FIG. 6 is a sectional view taken in the direction of the arrows on line 6—6 of FIG. 2, both directions being identical.



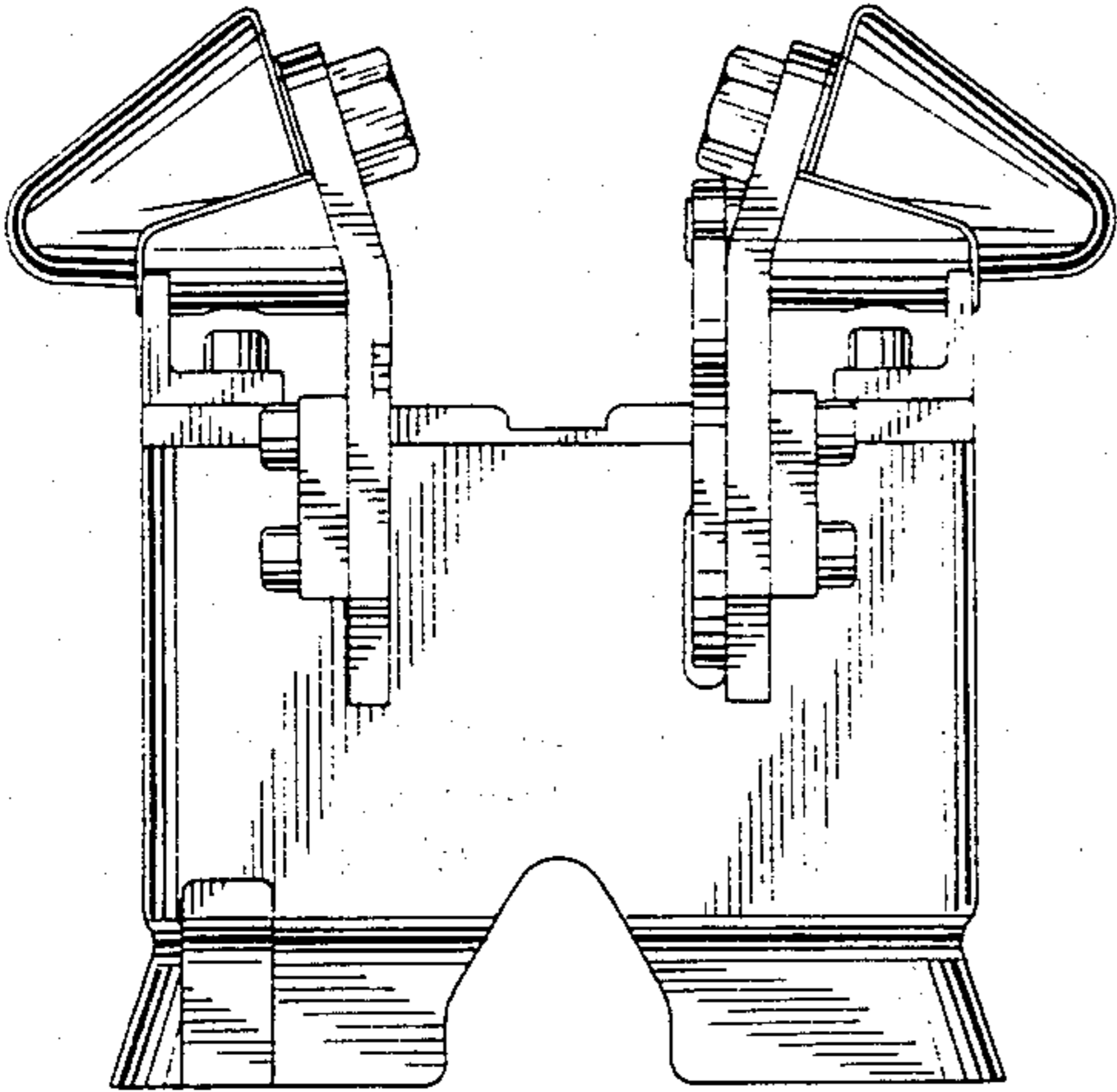


Fig. 5

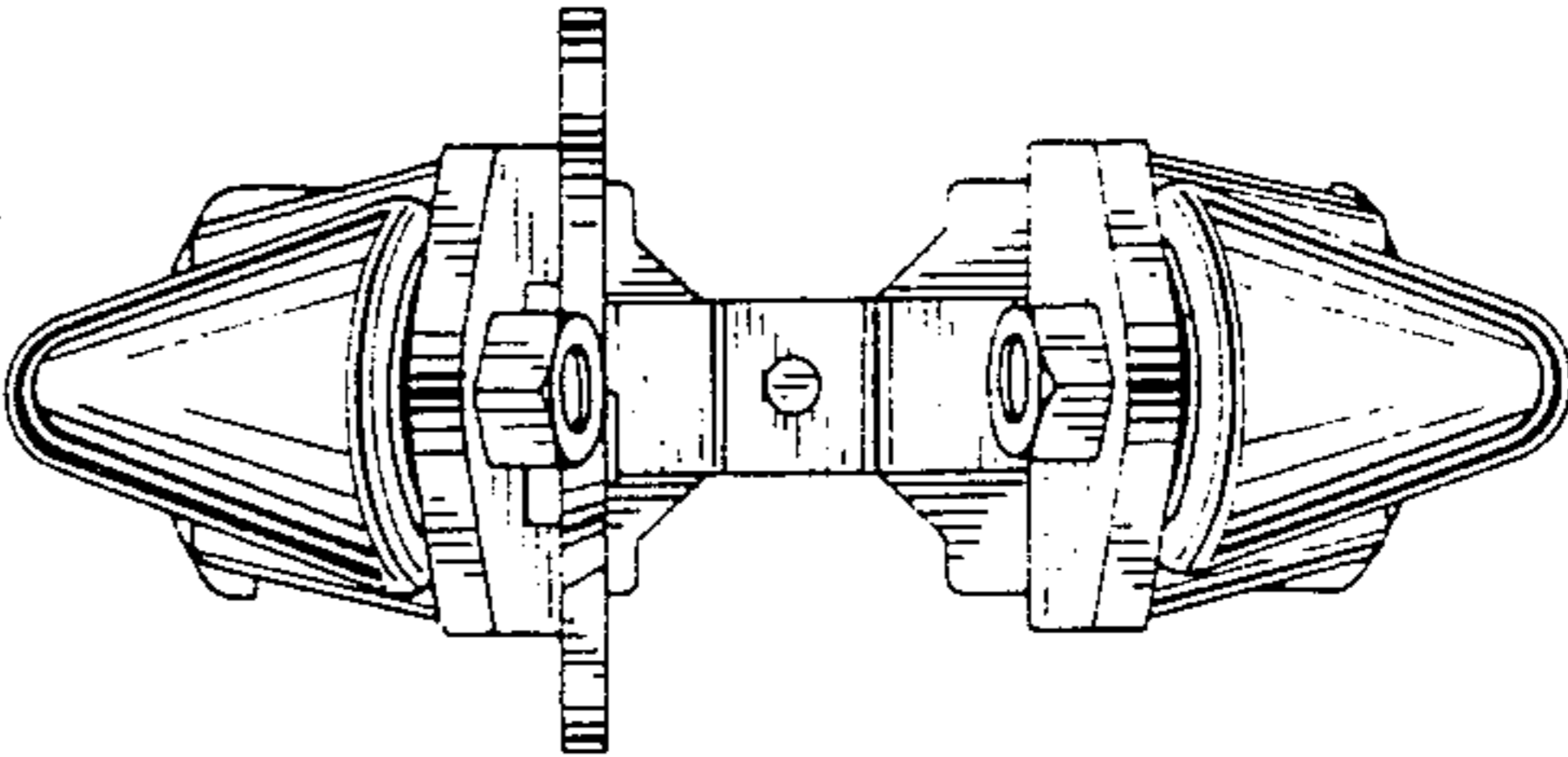


Fig. 1

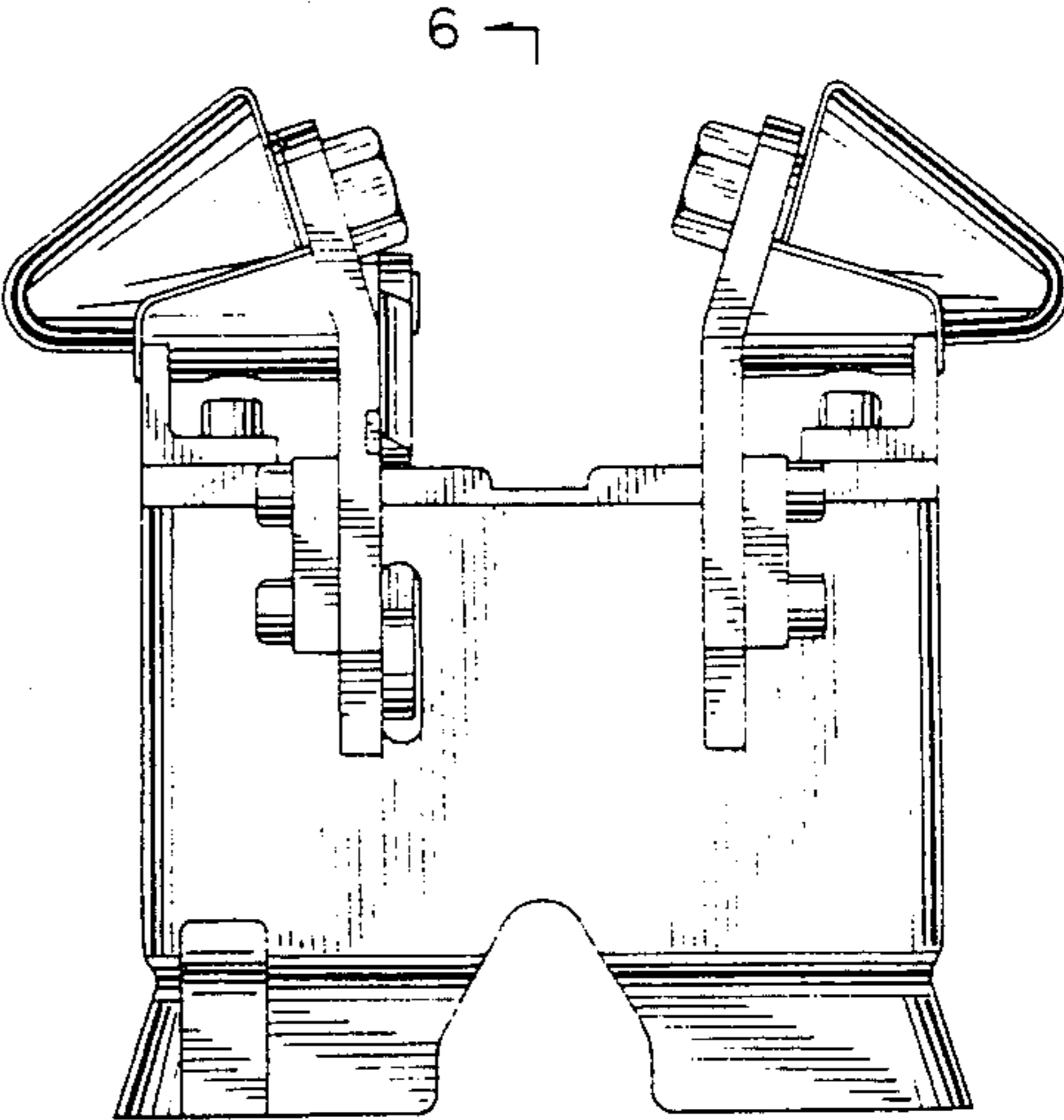


Fig. 2

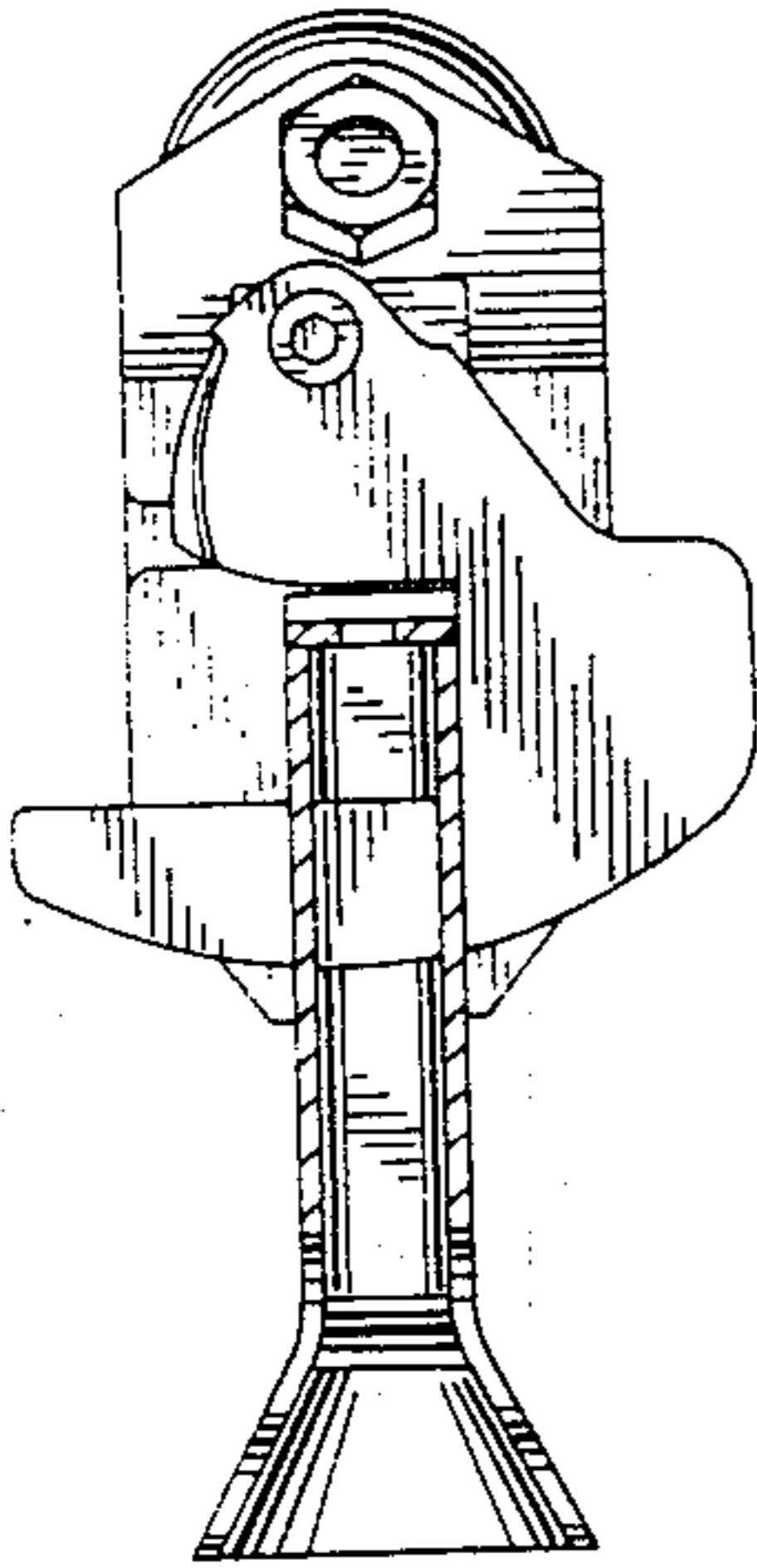


Fig. 6

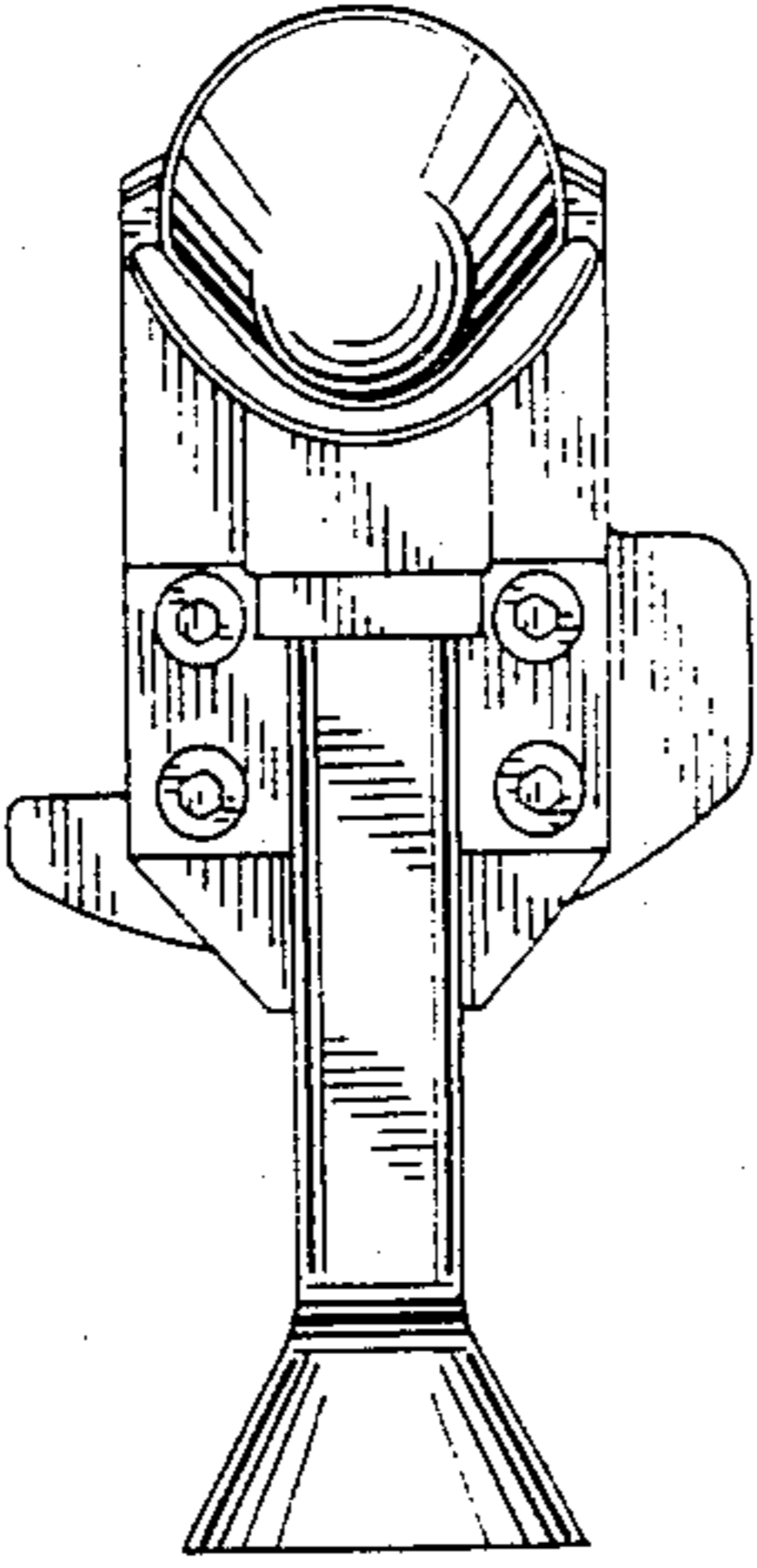


Fig. 4

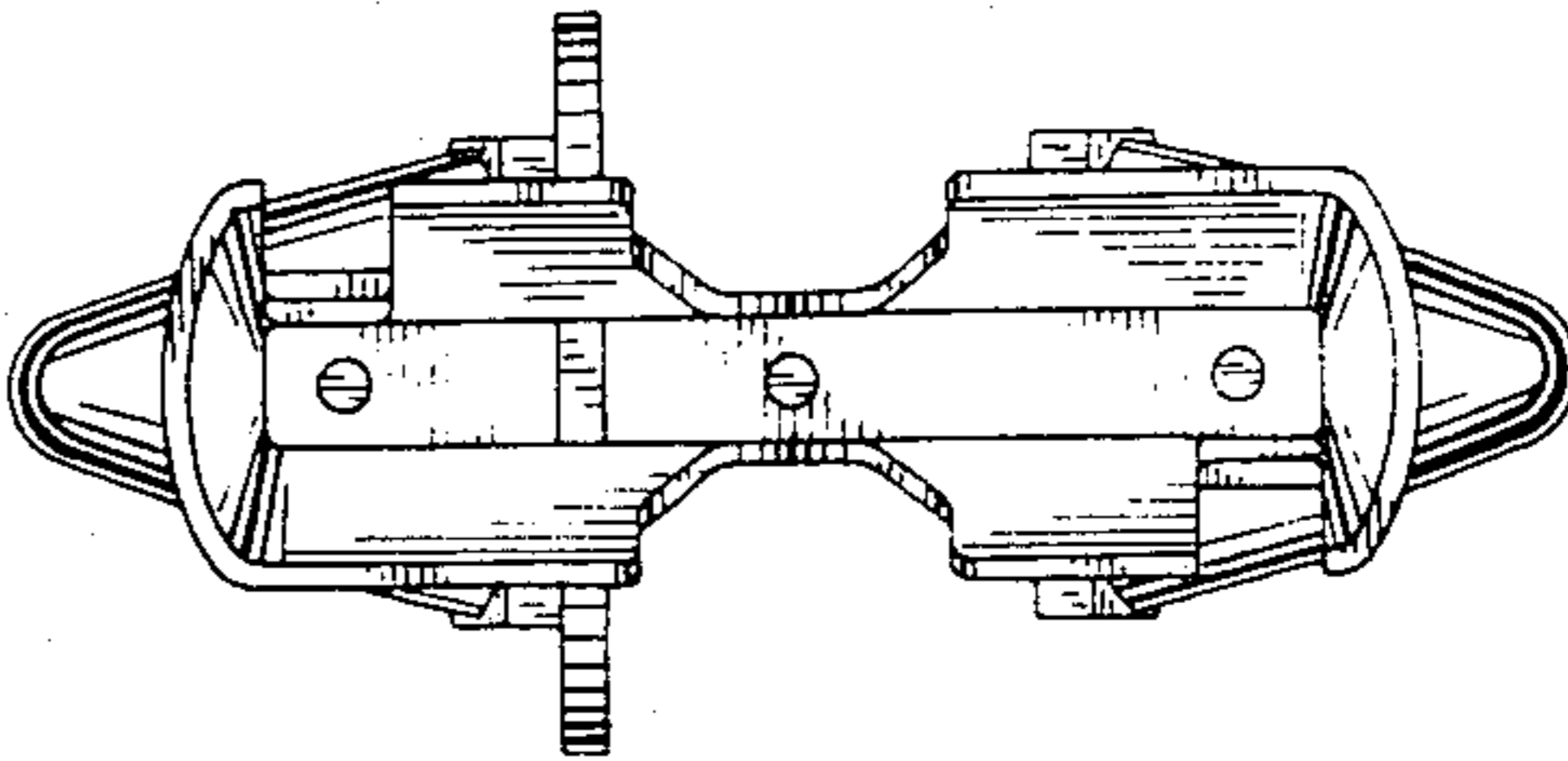


Fig. 3