

[54] **MIXER**

[75] **Inventor: Thomas I. Burenga, Litchfield, Ill.**

[73] **Assignee: Worksaver, Inc., Litchfield, Ill.**

[**] **Term: 14 Years**

[21] **Appl. No.: 492,803**

[22] **Filed: May 9, 1983**

[52] **U.S. Cl. D15/19**

[58] **Field of Search D15/10, 19, 27; 366/54,
366/62, 63, 220**

[56] **References Cited**

U.S. PATENT DOCUMENTS

D. 185,844	8/1959	Yager	D15/19
2,683,026	7/1954	Preszler	366/63
4,197,015	4/1980	Moser et al.	366/63
4,268,175	5/1981	Norlie et al.	366/62

FOREIGN PATENT DOCUMENTS

1574303 9/1980 United Kingdom 366/54

Primary Examiner—Wallace R. Burke
Assistant Examiner—Suzanne N. Gitlin
Attorney, Agent, or Firm—Paul M. Denk

[57] **CLAIM**

The ornamental design for the mixer, as shown and described.

DESCRIPTION

FIG. 1 is a top plan view of a mixer showing my new design;

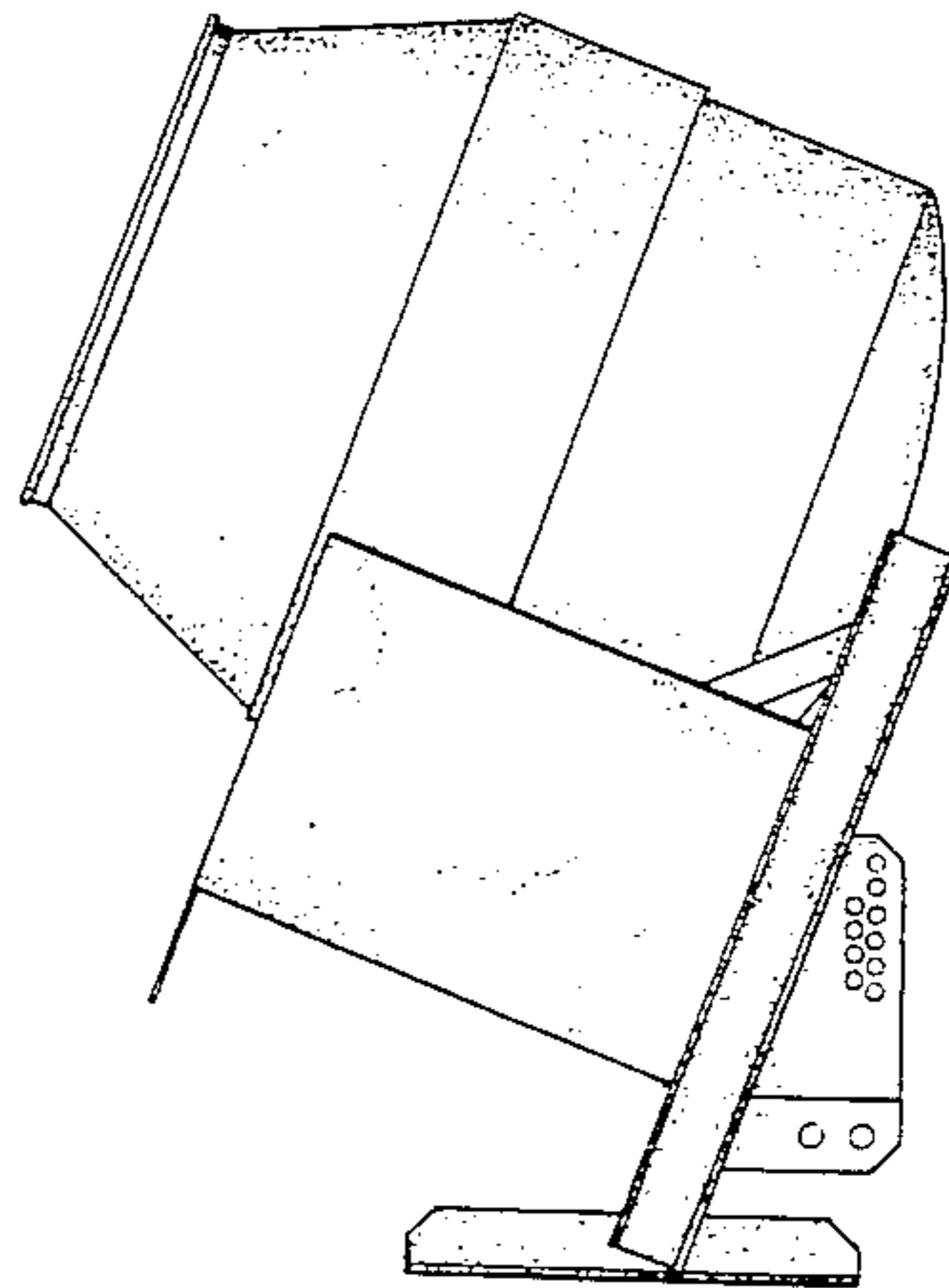
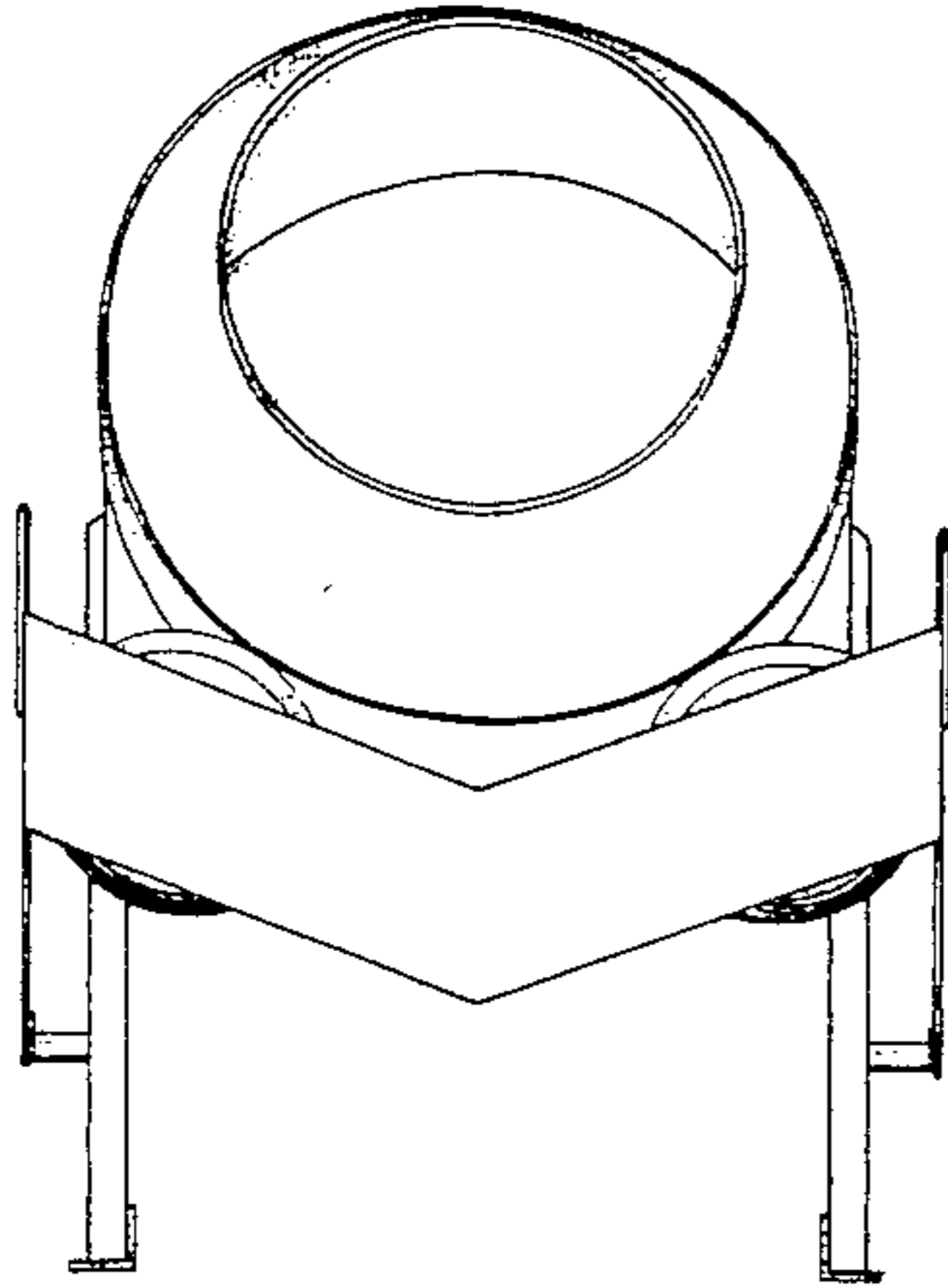
FIG. 2 is a bottom plan view thereof;

FIG. 3 is a front elevational view thereof;

FIG. 4 is a side elevational view taken from the right of FIG. 1;

FIG. 5 is a rear elevational view thereof;

FIG. 6 is a side elevational view taken from the left of FIG. 1.



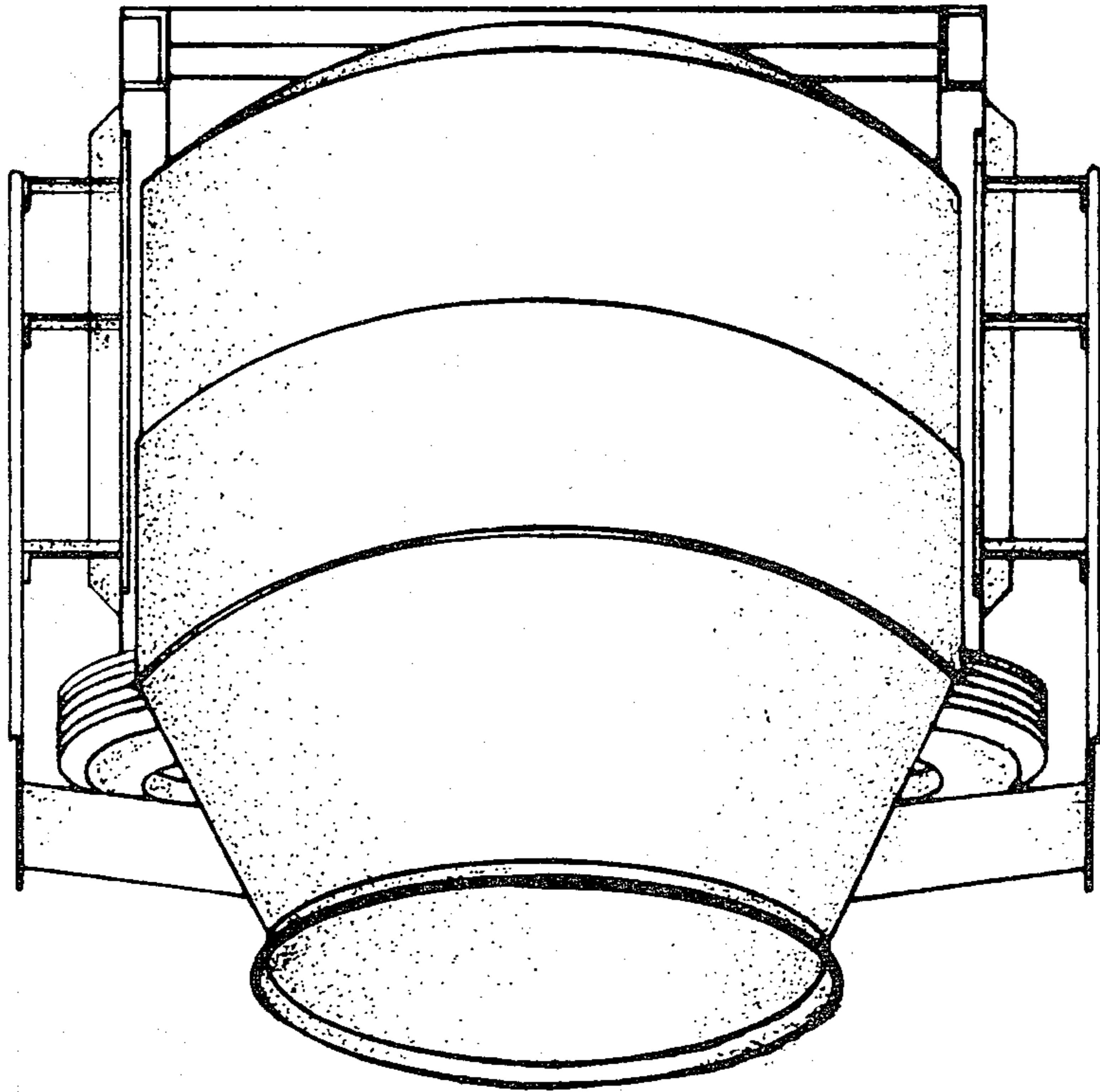


FIG. 1.

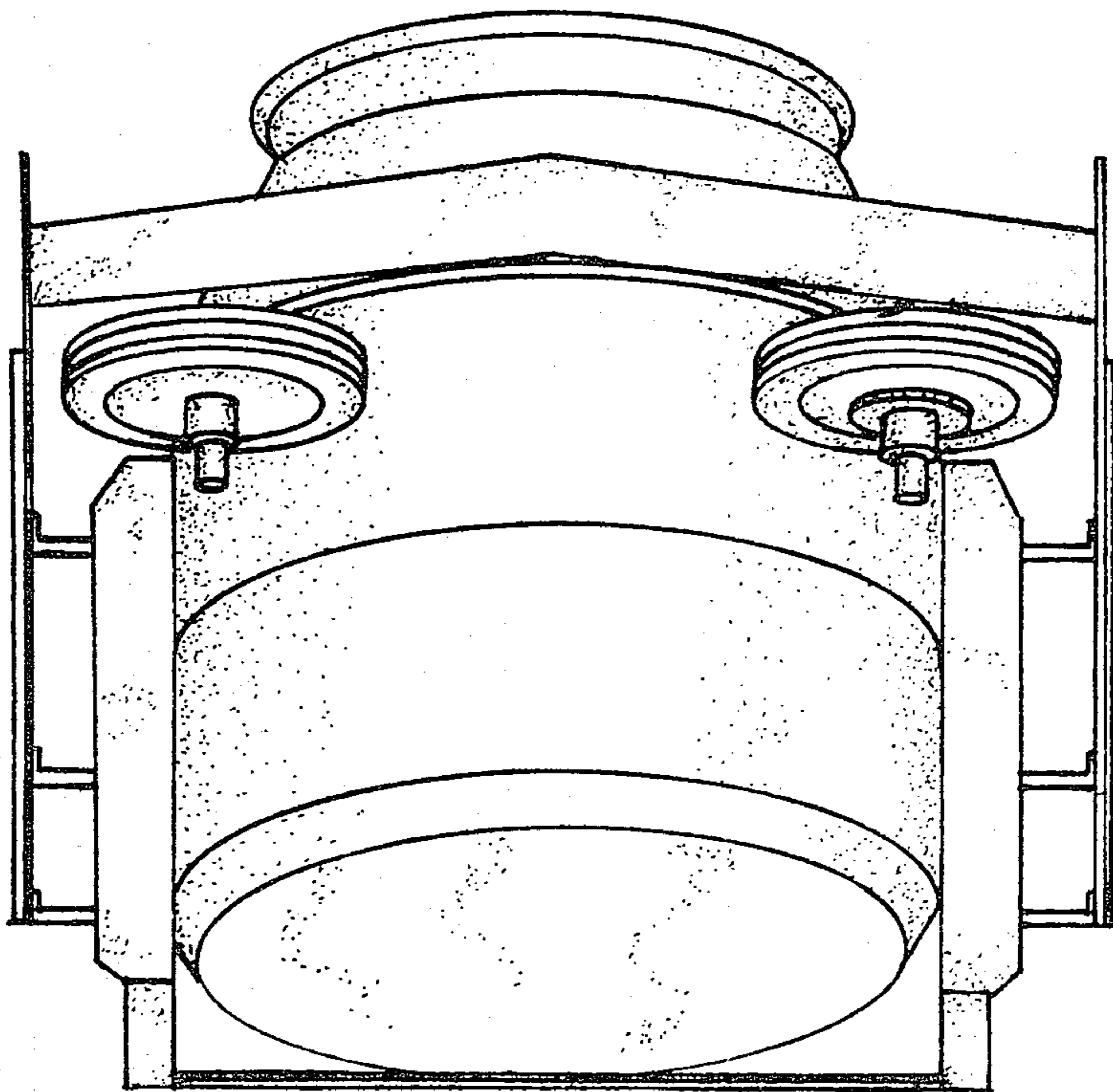


FIG. 2.

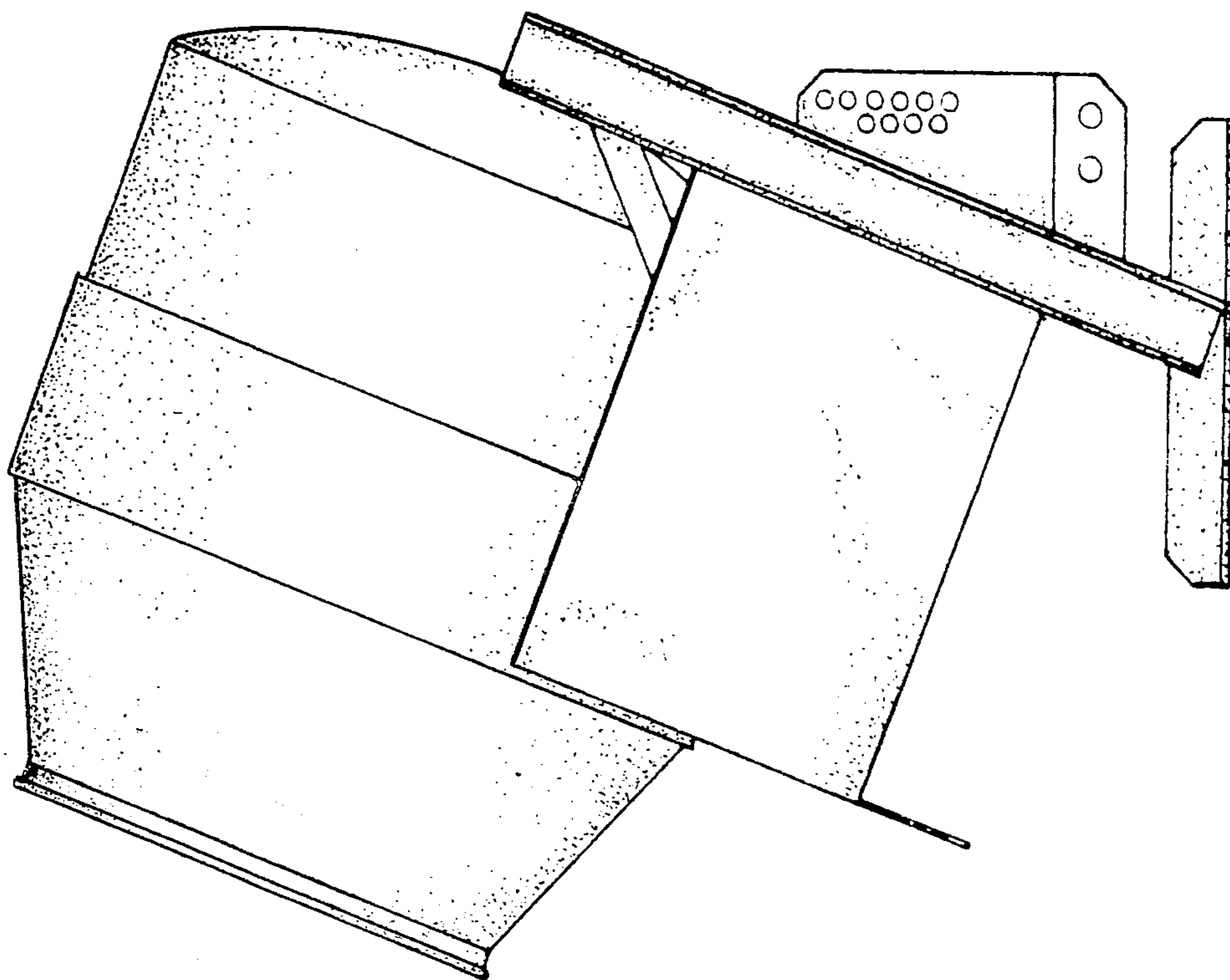


FIG. 4.

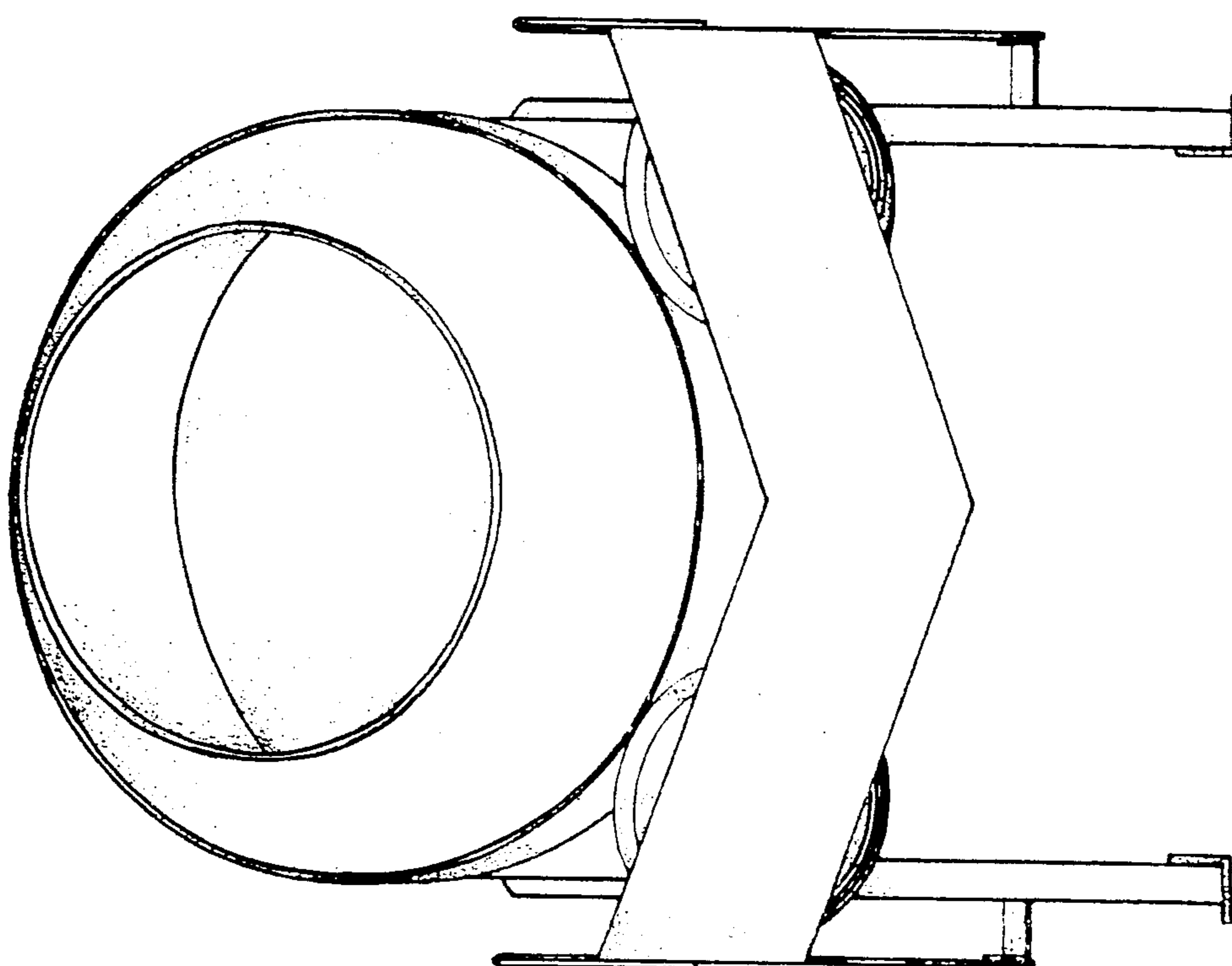


FIG. 3.

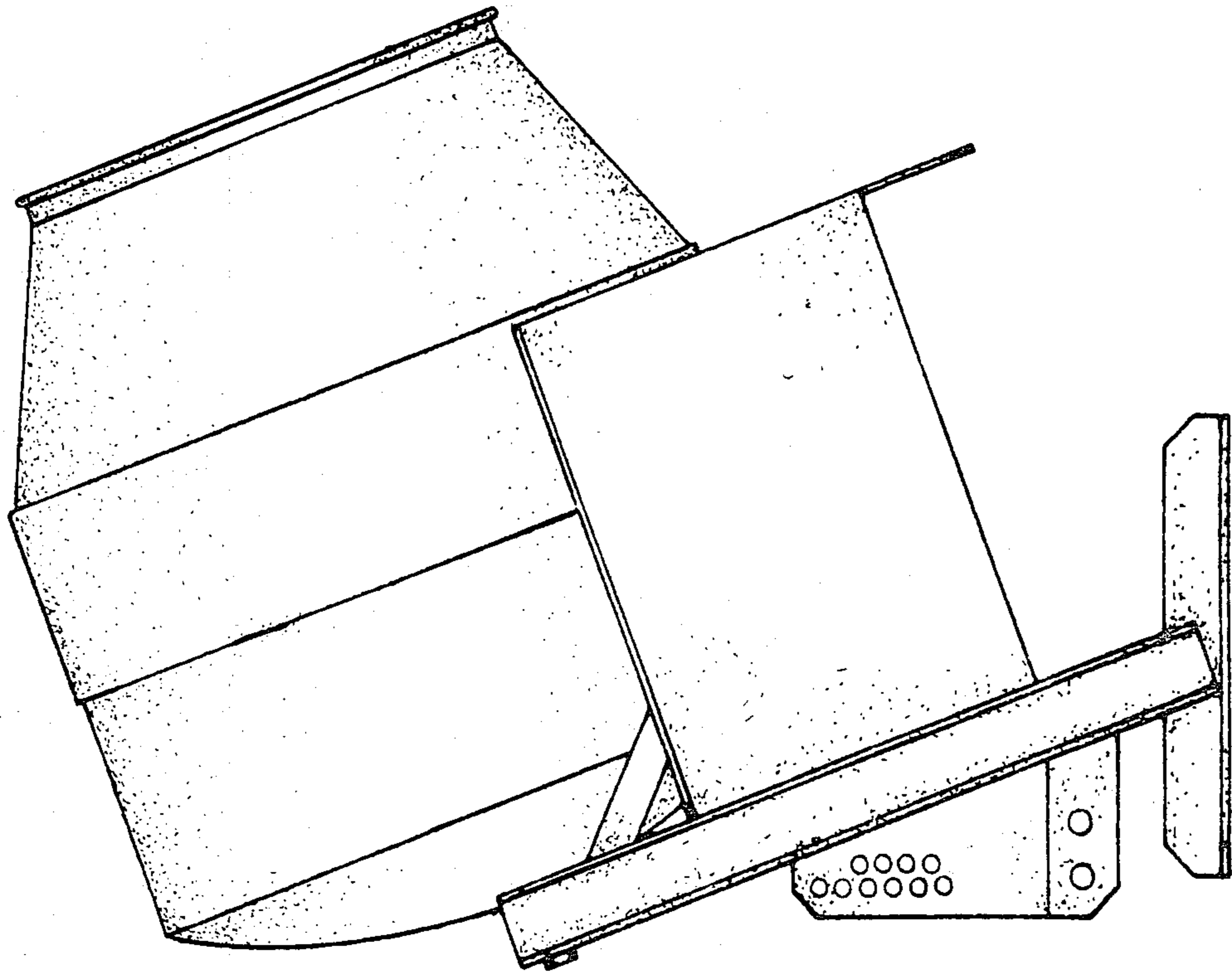


FIG. 6.

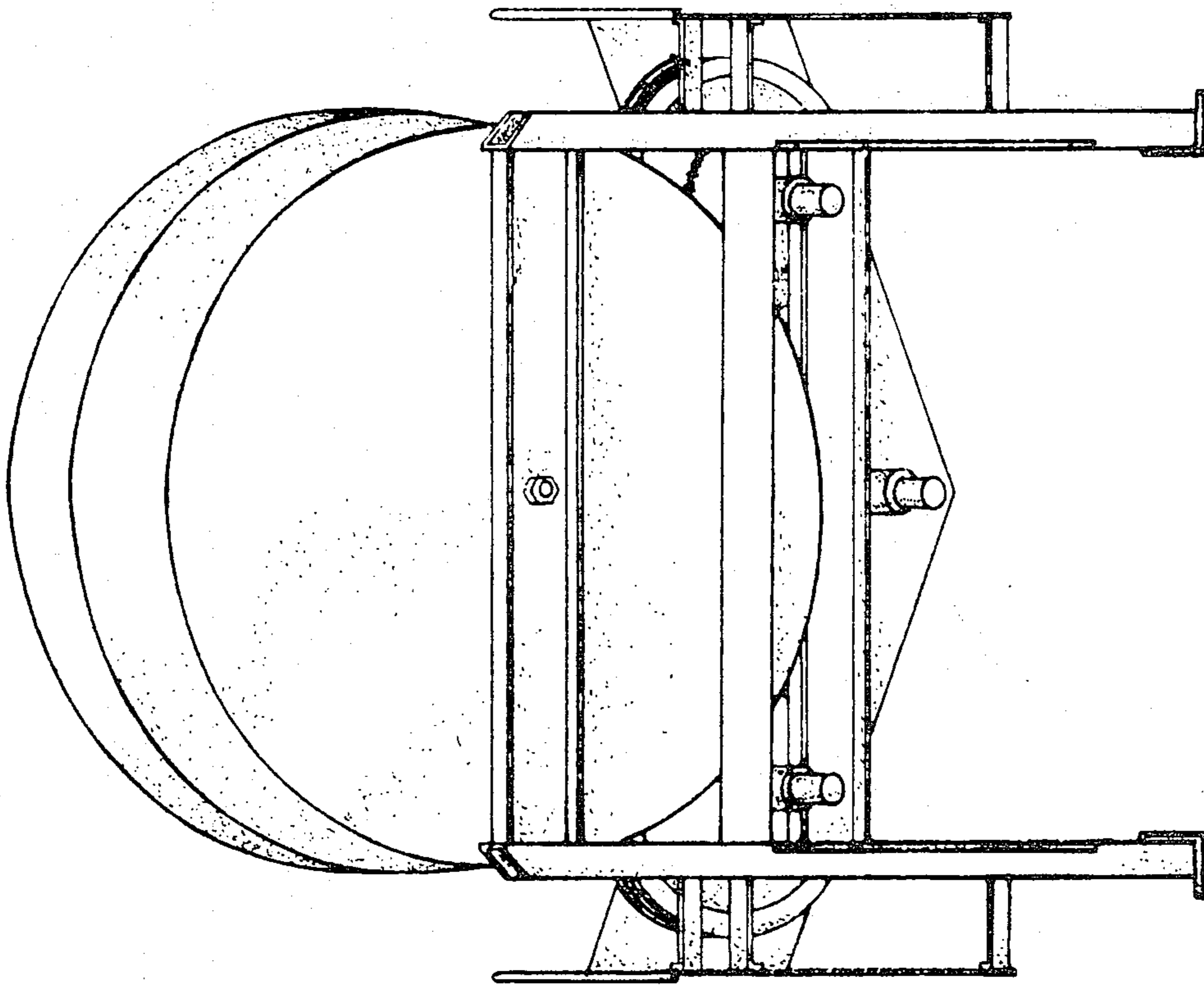


FIG. 5.