

[54] FLOPPY DISK COPIER MACHINE

[75] Inventors: Amancio Alcala, Santa Ana; James A. Norton, Orange; Martin Smith, Manhattan Beach, all of Calif.

[73] Assignee: Media Systems Technology Inc., Irvine, Calif.

[\*\*] Term: 14 Years

[21] Appl. No.: 377,195

[22] Filed: May 11, 1982

[52] U.S. Cl. .... D14/107

[58] Field of Search ..... D14/100-117, D14/2, 6; 369/84, 85; 360/15, 17

[56] References Cited

U.S. PATENT DOCUMENTS

D. 258,878	4/1981	Briedis	.....	D14/6
3,767,206	10/1973	Rehklau et al.	.....	360/15
4,240,120	12/1980	Padwa	.....	360/15

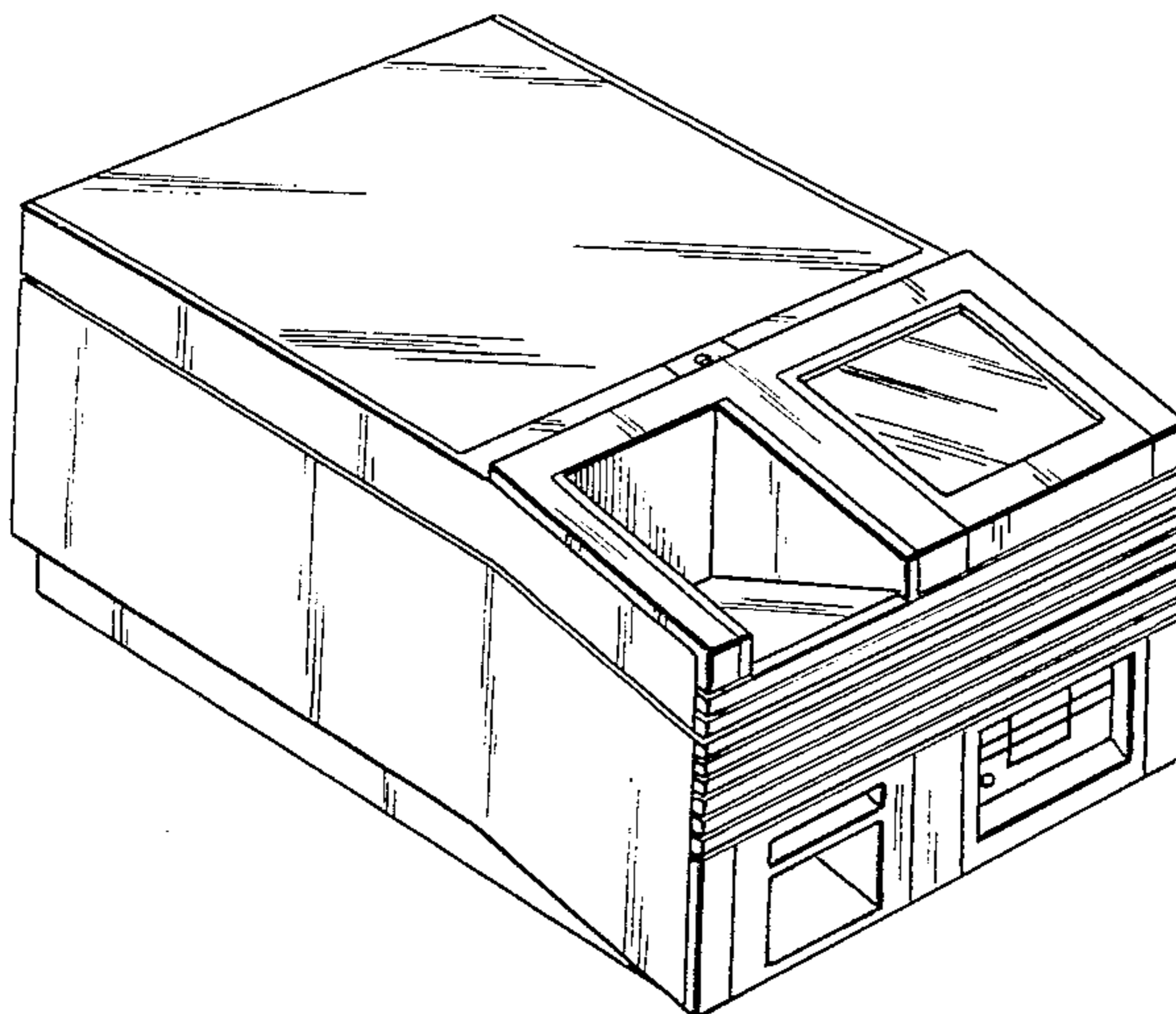
Primary Examiner—Susan J. Lucas  
Attorney, Agent, or Firm—Knobbe, Martens, Olson & Bear

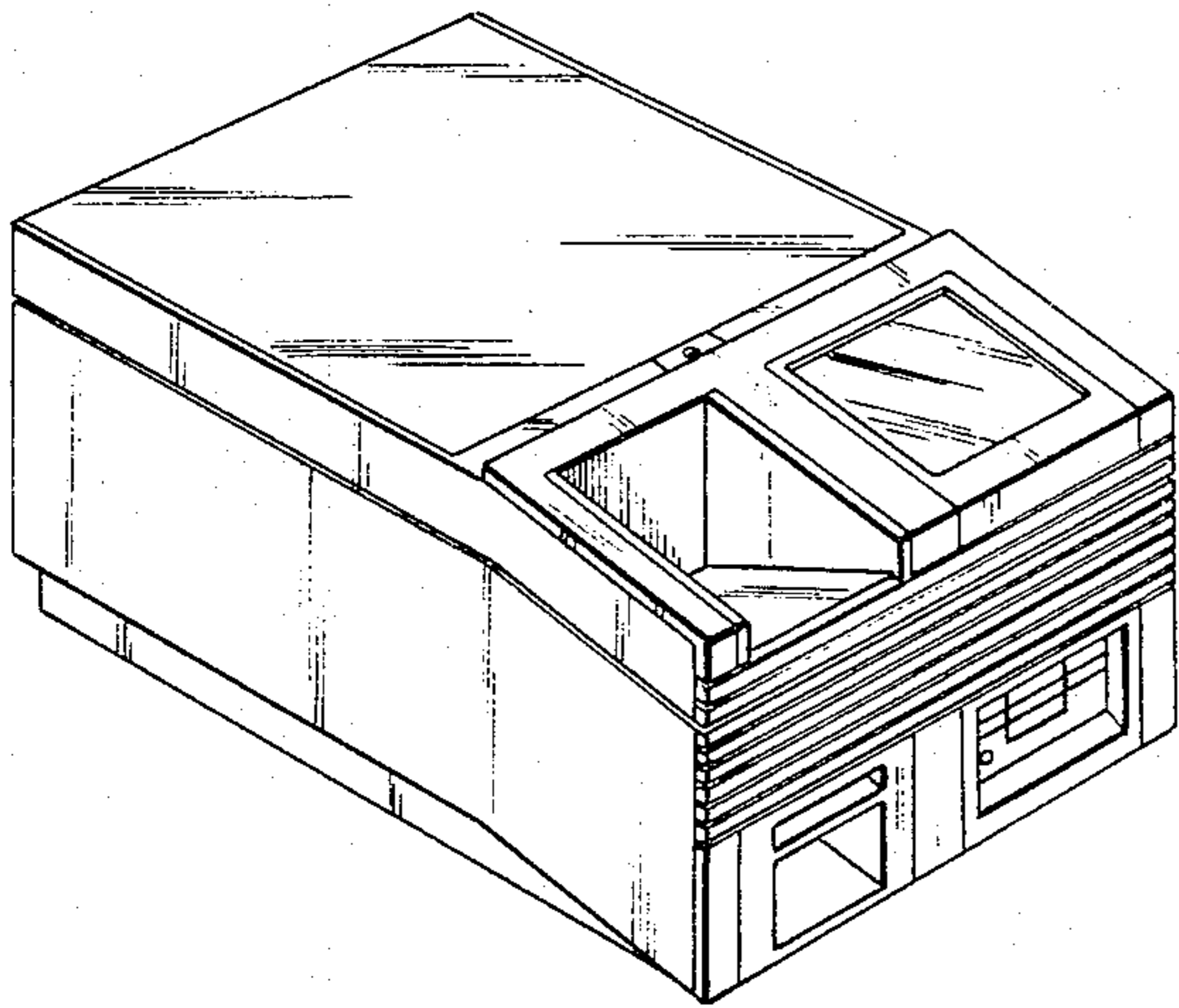
[57] CLAIM

The ornamental design for a floppy disk copier machine, as shown and described.

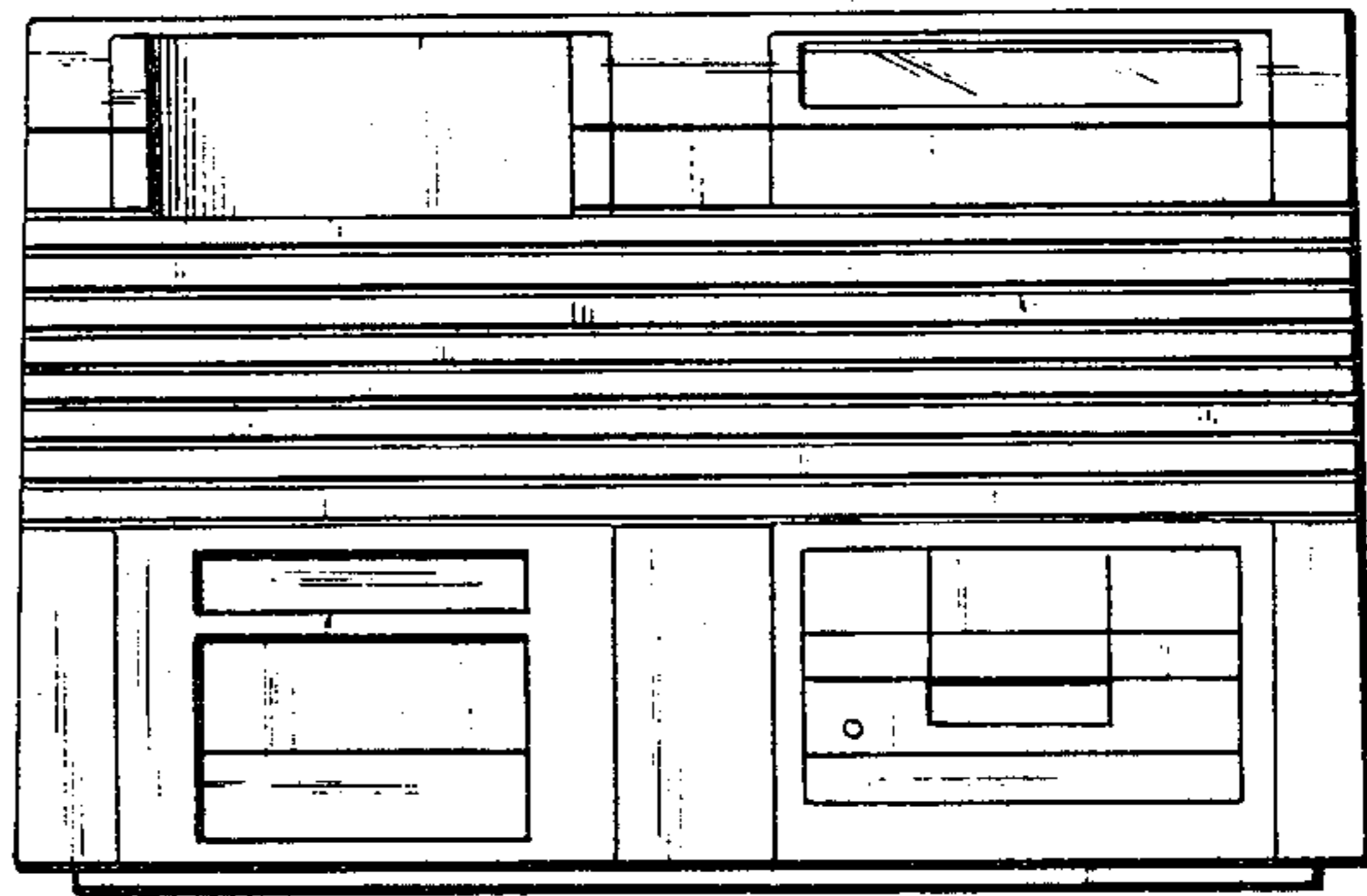
DESCRIPTION

FIG. 1 is a front perspective view of a floppy disk copier machine showing the ornamental design; FIG. 2 is a front elevational view thereof; FIG. 3 is a left side elevational view thereof; FIG. 4 is a top plan view thereof; FIG. 5 is a rear elevational view thereof; and FIG. 6 is a front perspective view of an alternative embodiment of the floppy disk copier machine which omits the front mounted master disk drive shown in FIGS. 1 and 2; FIG. 7 is a front elevational view of the same alternative embodiment shown in FIG. 6.

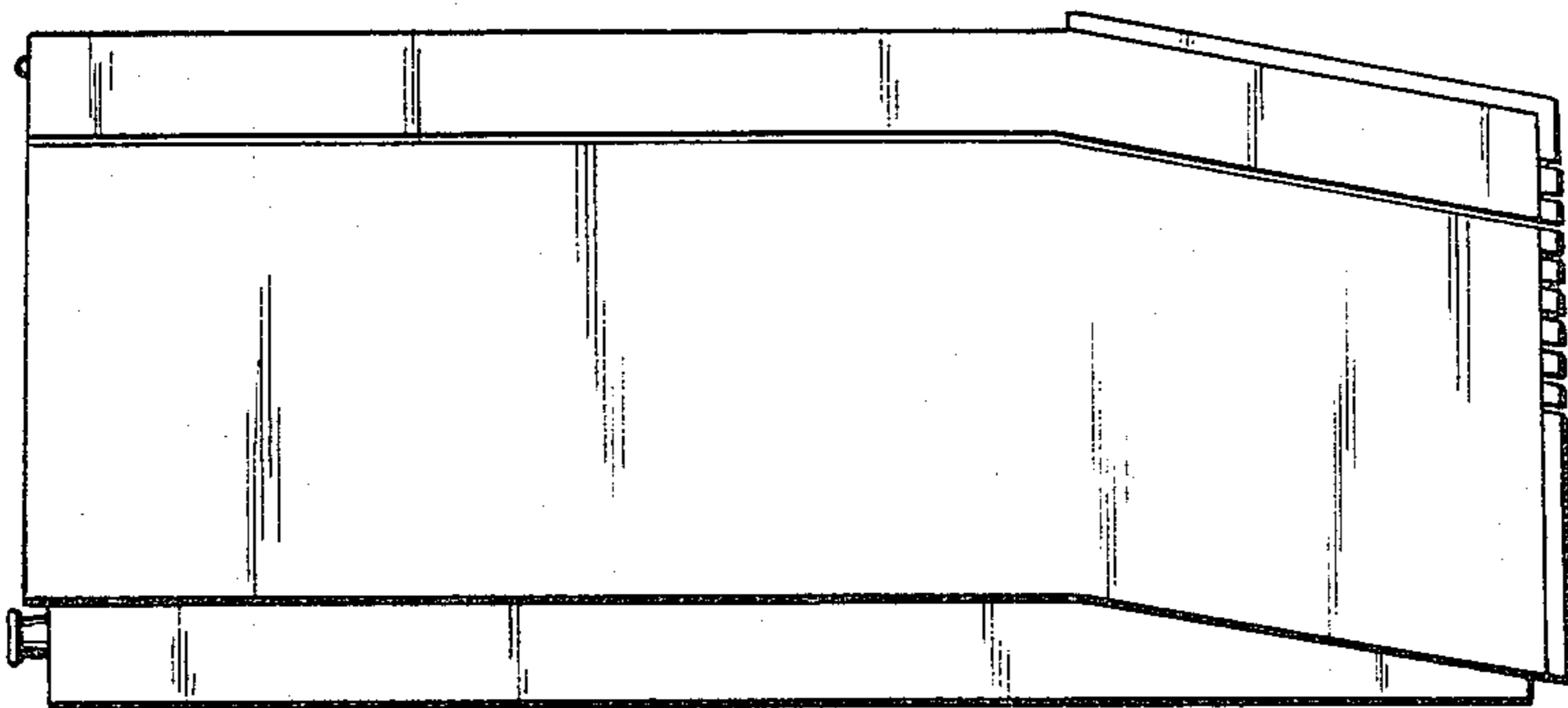




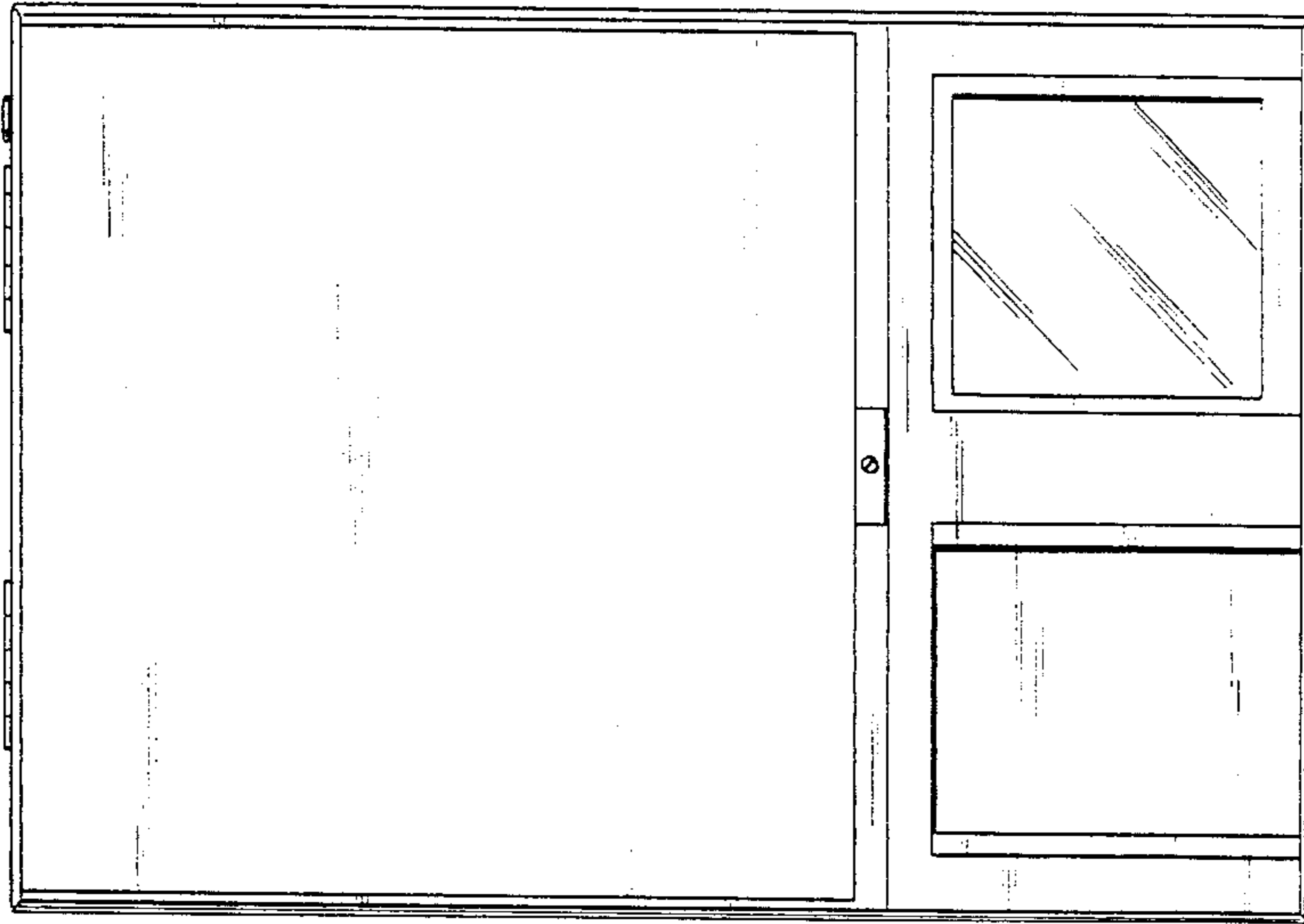
*Fig. 1*



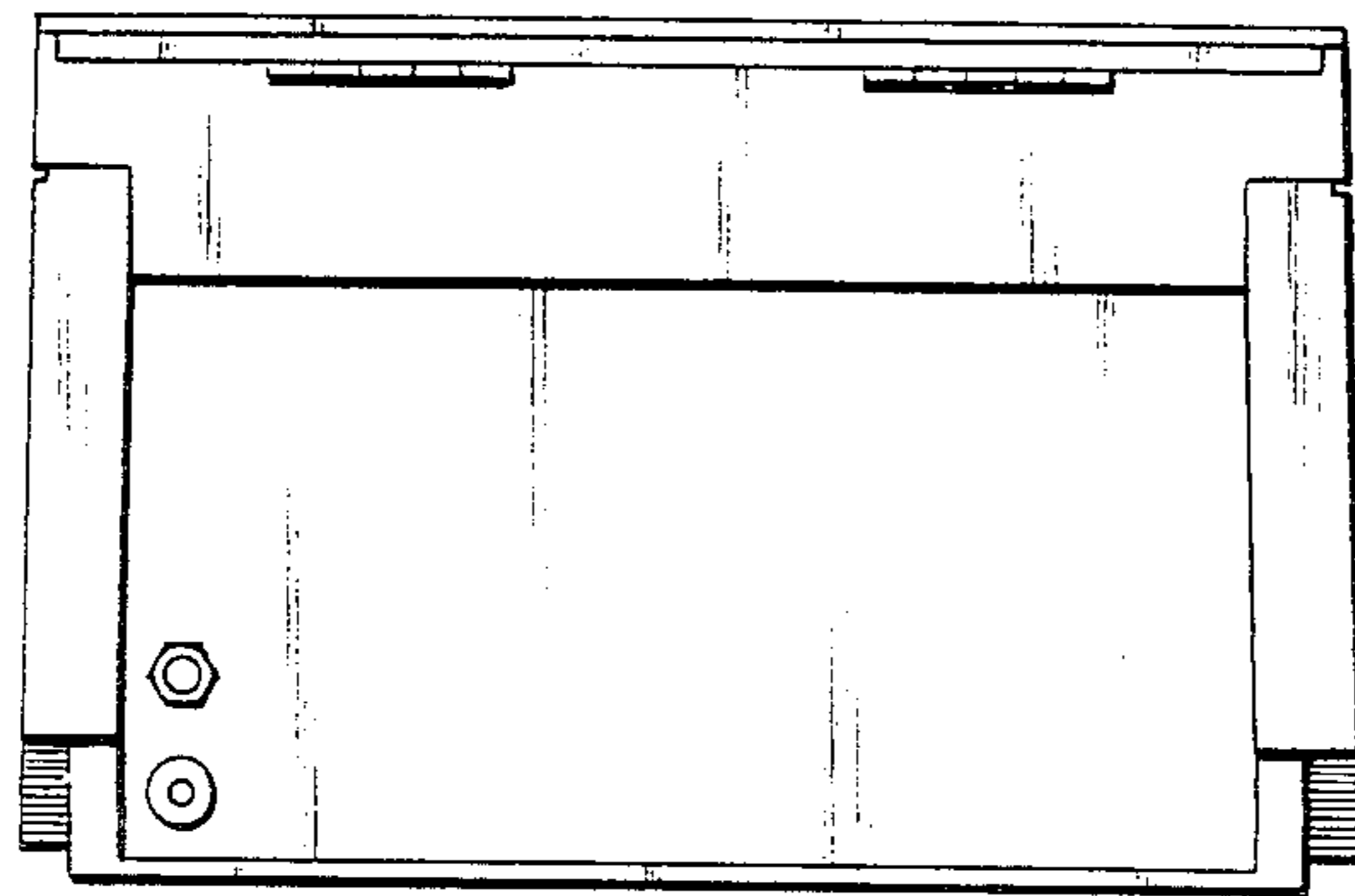
*Fig. 2*



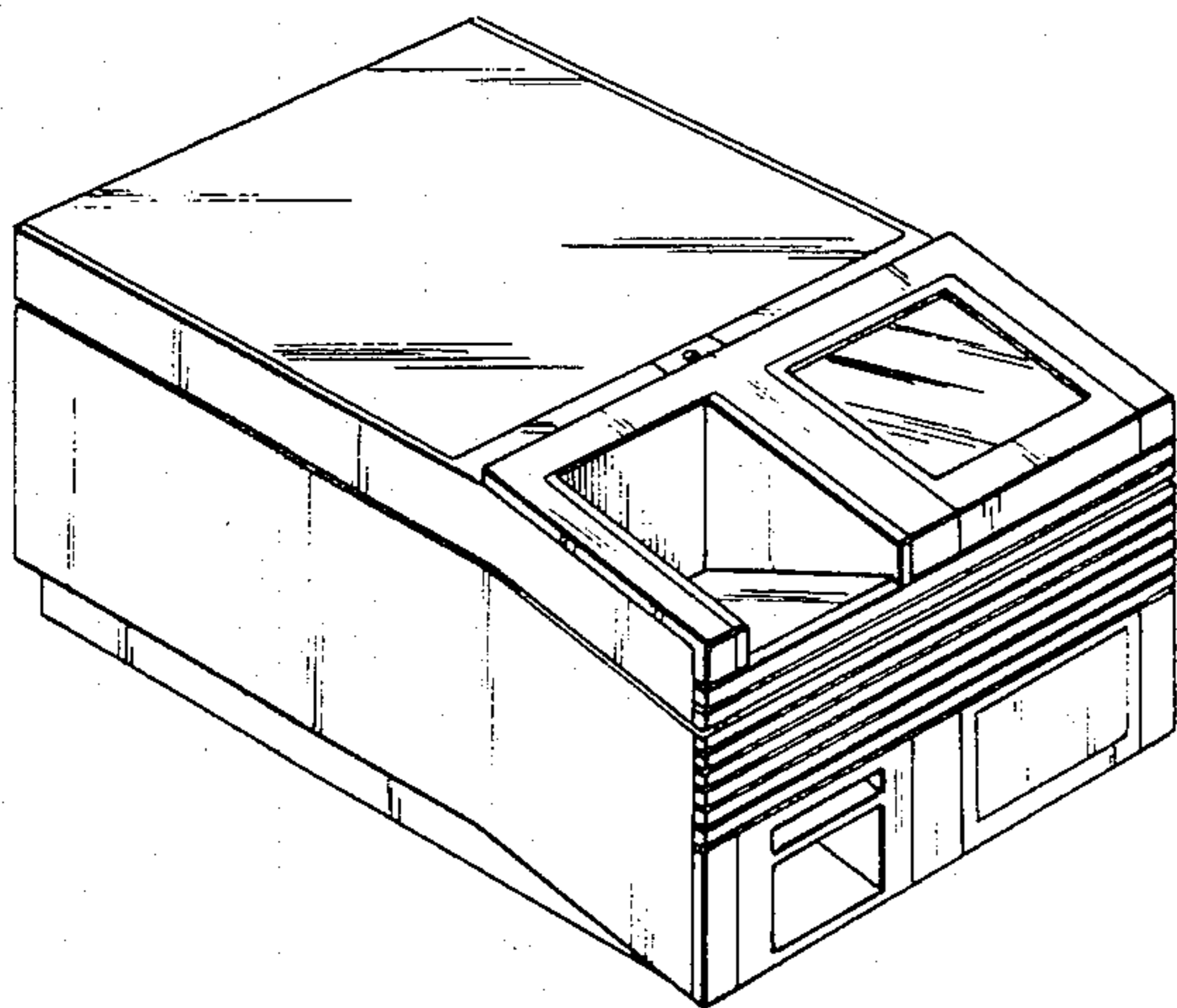
*Fig. 3*



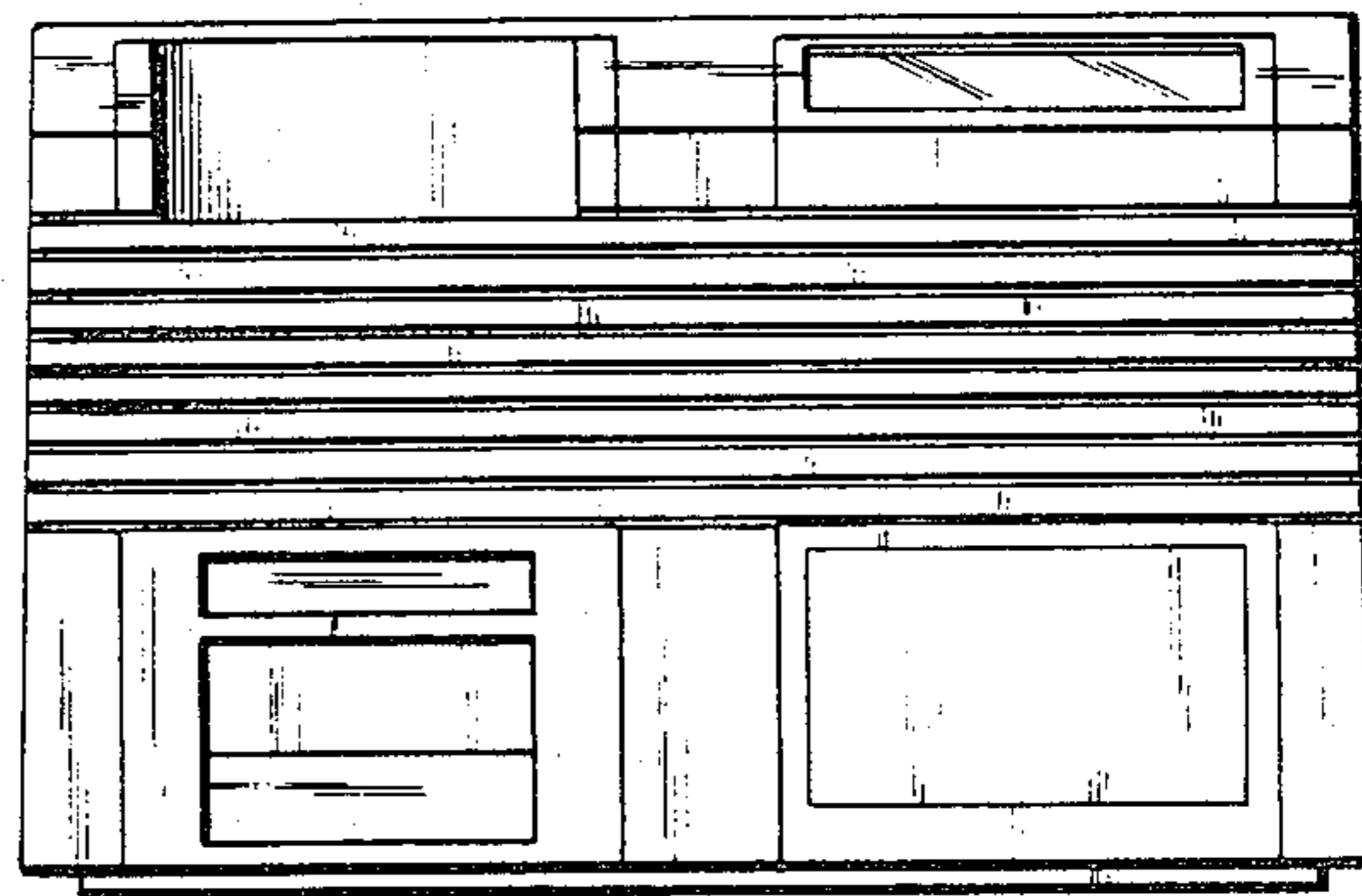
*Fig. 4*



*Fig. 5*



*Fig. 6*



*Fig. 7*