

[54] PHONOGRAPH CARTRIDGE

4,320,492 3/1982 Dieter ..... 369/170

[75] Inventors: John Kuykendall, Nesconset; Frank Frielingsdorf, Port Jefferson; Alan Hofer, Wantagh, all of N.Y.

[73] Assignee: Pickering & Company, Inc., Plainview, N.Y.

[\*\*] Term: 14 Years

[21] Appl. No.: 460,283

[22] Filed: Jan. 24, 1983

[52] U.S. Cl. .... D14/28

[58] Field of Search ..... D14/28, 29; 369/170

[56] References Cited

U.S. PATENT DOCUMENTS

- D. 198,974 8/1964 Stanton ..... D14/28
- D. 257,676 12/1980 Kehl et al. .... D14/28
- 4,165,078 8/1979 Kuehn ..... 369/170 X

OTHER PUBLICATIONS

*High Fidelity*, 9-81, p. 2, Pickering XSV/5000 Cartridge.

Primary Examiner—Jane E. Corrigan  
Attorney, Agent, or Firm—Kane, Dalsimer, Kane, Sullivan & Kurucz

[57] CLAIM

The ornamental design for a phonograph cartridge, as shown.

DESCRIPTION

FIG. 1 is a right side elevational view of a phonograph cartridge showing our new design; FIG. 2 is a top plan view; FIG. 3 is a bottom plan view; FIG. 4 is a rear elevational view; and FIG. 5 is a front elevational view.

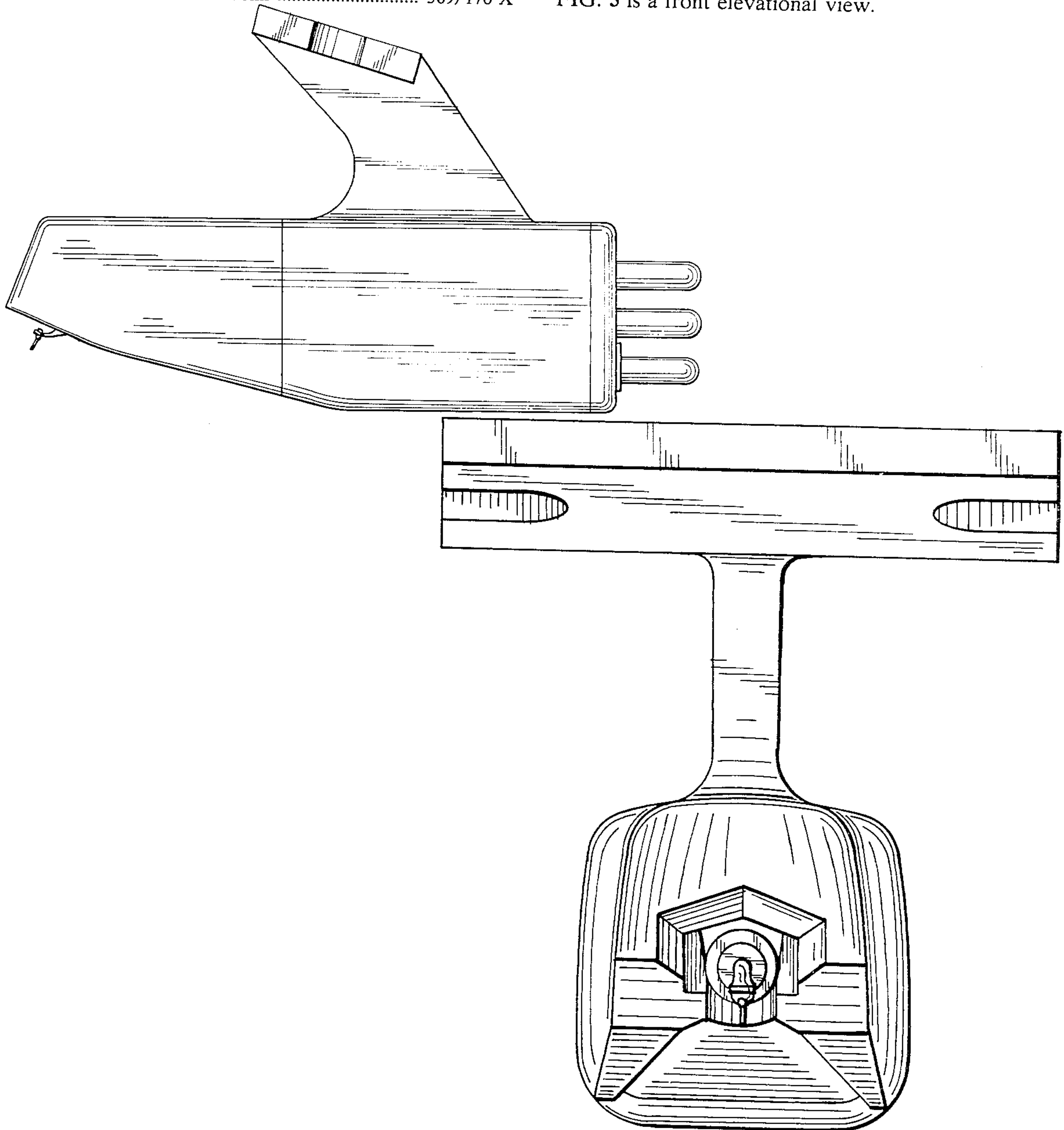
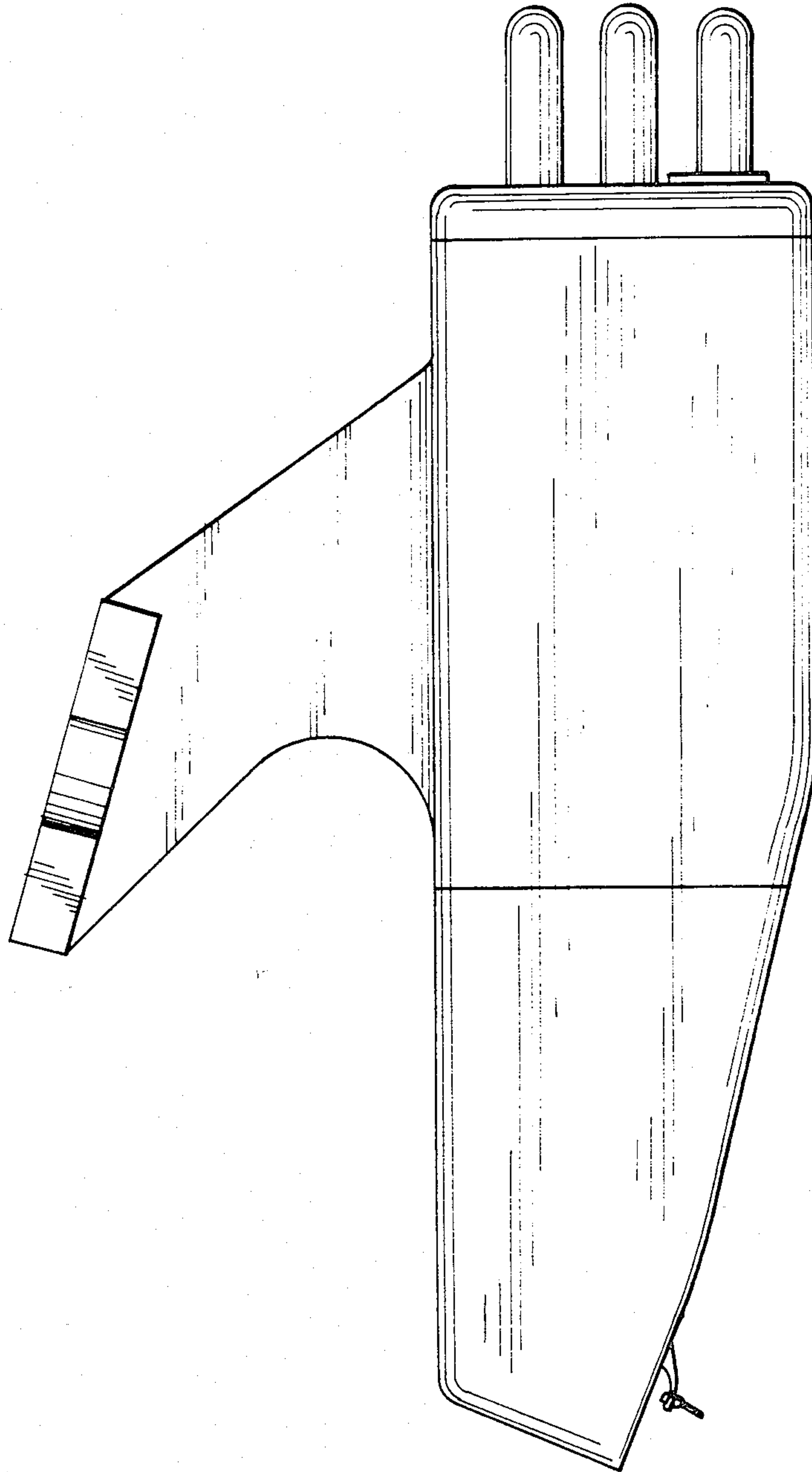


FIG.1



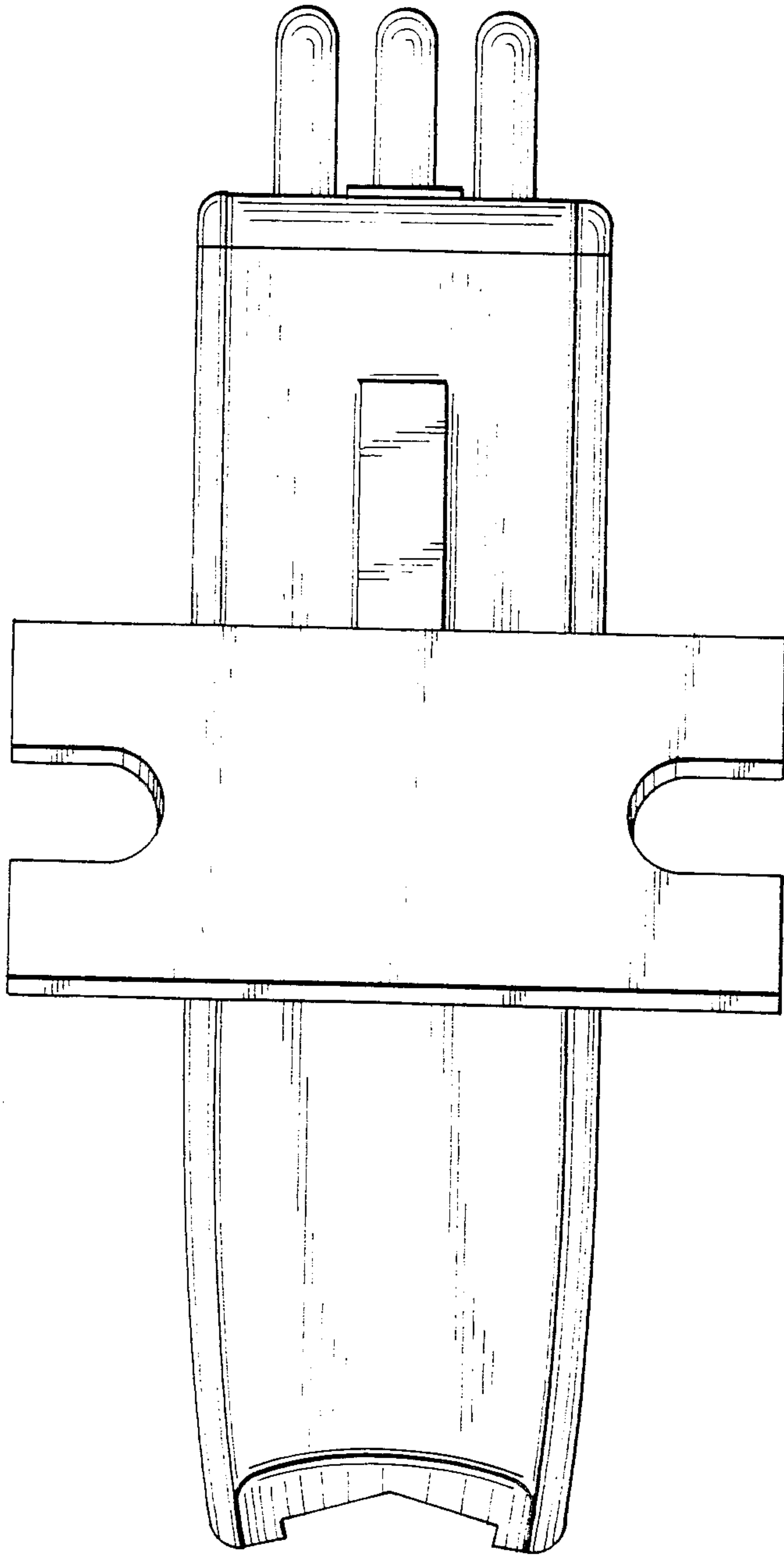


FIG. 2

FIG. 3

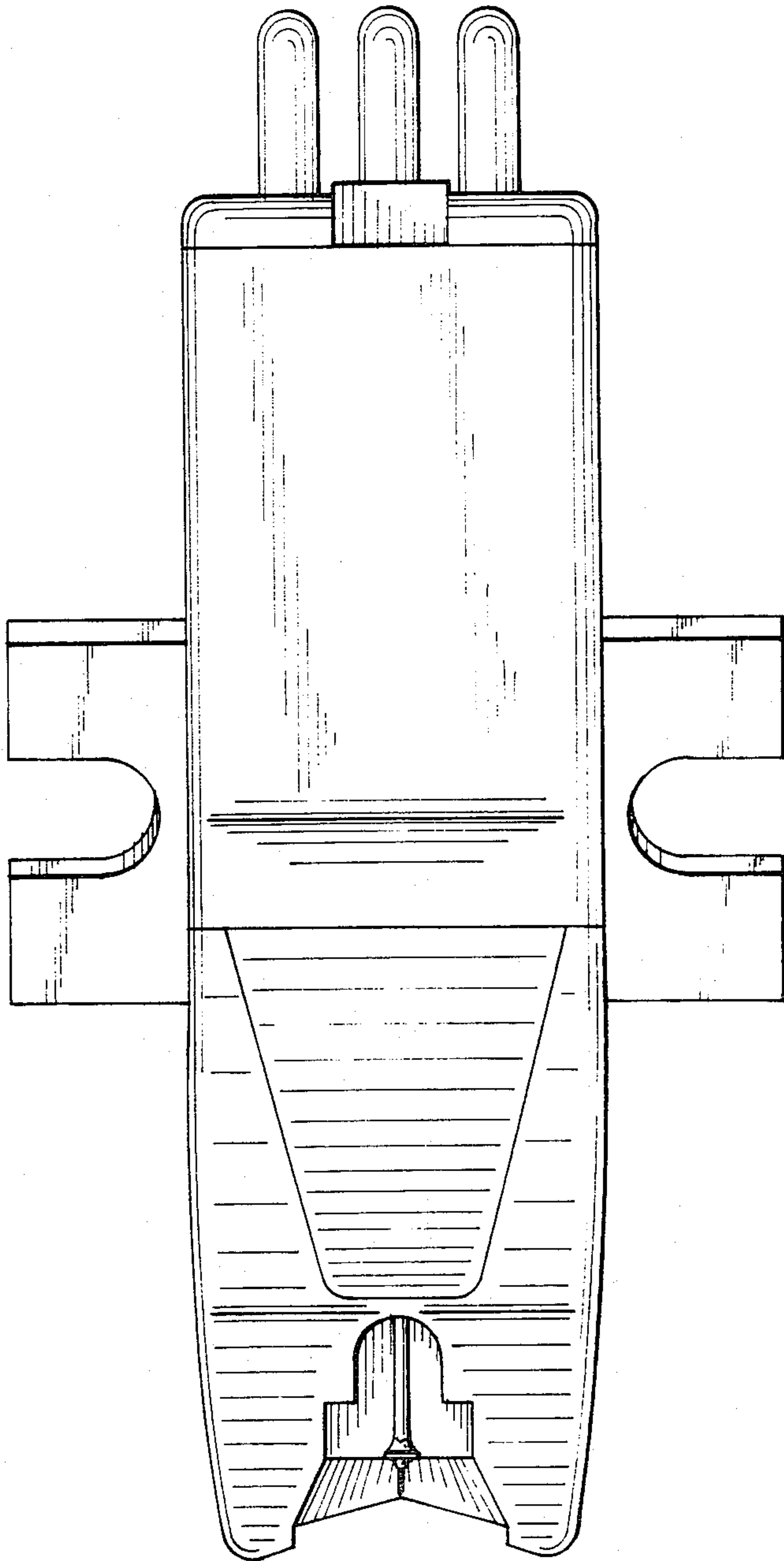


FIG. 5

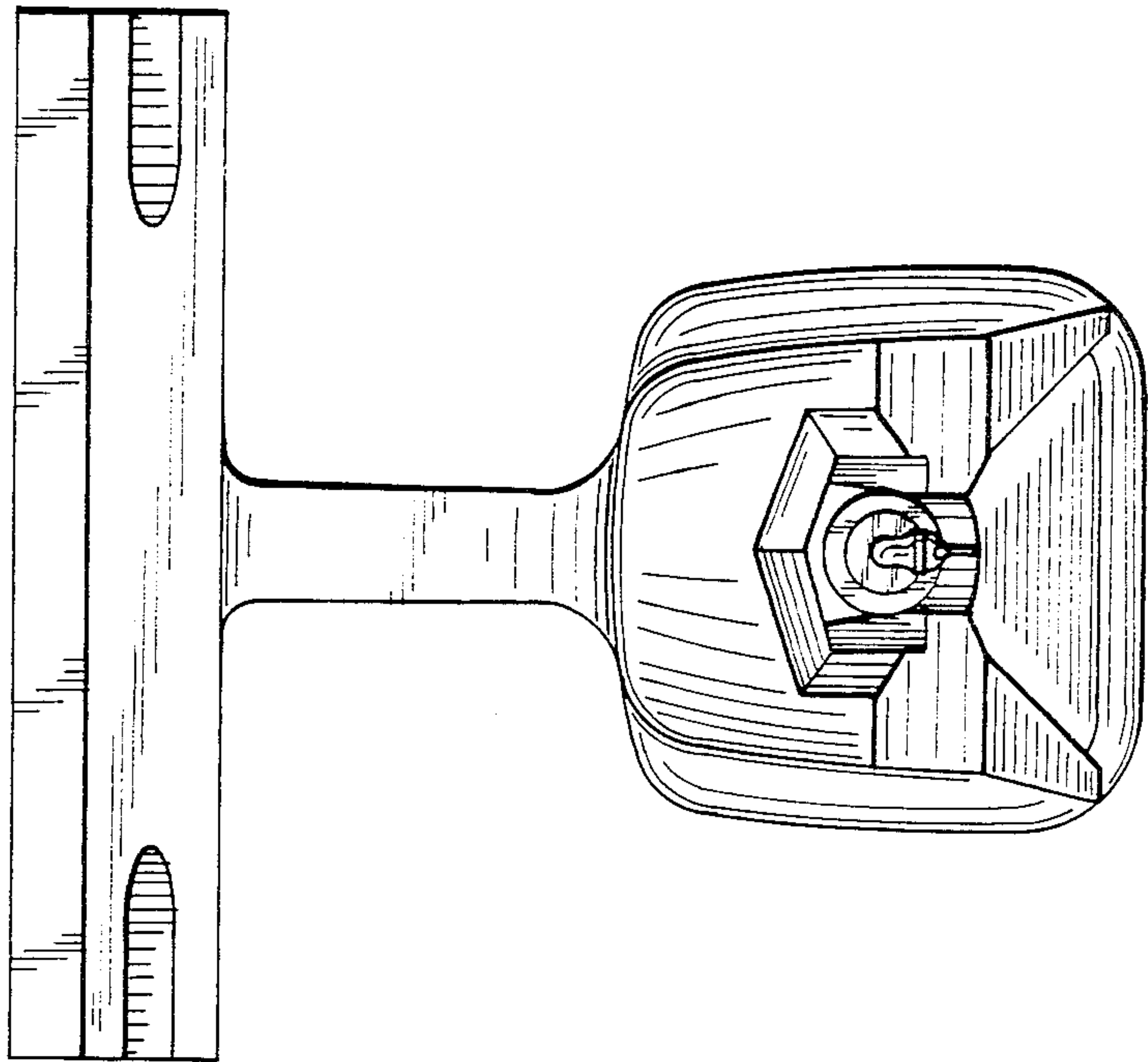


FIG. 4

