

United States Patent [19]

Matsumoto

[11] Patent Number: **Des. 278,145**

[45] Date of Patent: **** Mar. 26, 1985**

[54] **MAGNETIC TAPE CASSETTE**
[75] Inventor: **Yoshiharu Matsumoto, Tokyo, Japan**
[73] Assignee: **Sony Corporation, Tokyo, Japan**
[**] Term: **14 Years**
[21] Appl. No.: **411,297**
[22] Filed: **Aug. 25, 1982**

[30] **Foreign Application Priority Data**
Mar. 30, 1982 [JP] Japan 57-13317
[52] U.S. Cl. **D14/11**
[58] Field of Search D14/1, 11; 360/132;
206/387; 242/199

[56] **References Cited**
U.S. PATENT DOCUMENTS
D. 248,469 7/1978 Takahashi D14/11
D. 268,671 4/1983 Ohya et al. D14/11

3,962,727 6/1976 Kamimura et al. 360/132 X
4,383,285 5/1983 Staar 360/132
4,449,677 5/1984 Ohta et al. 360/132 X

Primary Examiner—Jane E. Corrigan
Attorney, Agent, or Firm—Lewis H. Eslinger; Alvin Sinderbrand

[57] CLAIM

The ornamental design for a magnetic tape cassette, as shown and described.

DESCRIPTION

FIG. 1 is a top plan view of a magnetic tape cassette showing my new design; FIG. 2 is a front elevational view; FIG. 3 is a right side elevational view; FIG. 4 is a left side elevational view; FIG. 5 is a rear elevational view; FIG. 6 is a bottom plan view; and FIG. 7 is a rear, top and left side perspective view with the top pivoted toward the front.

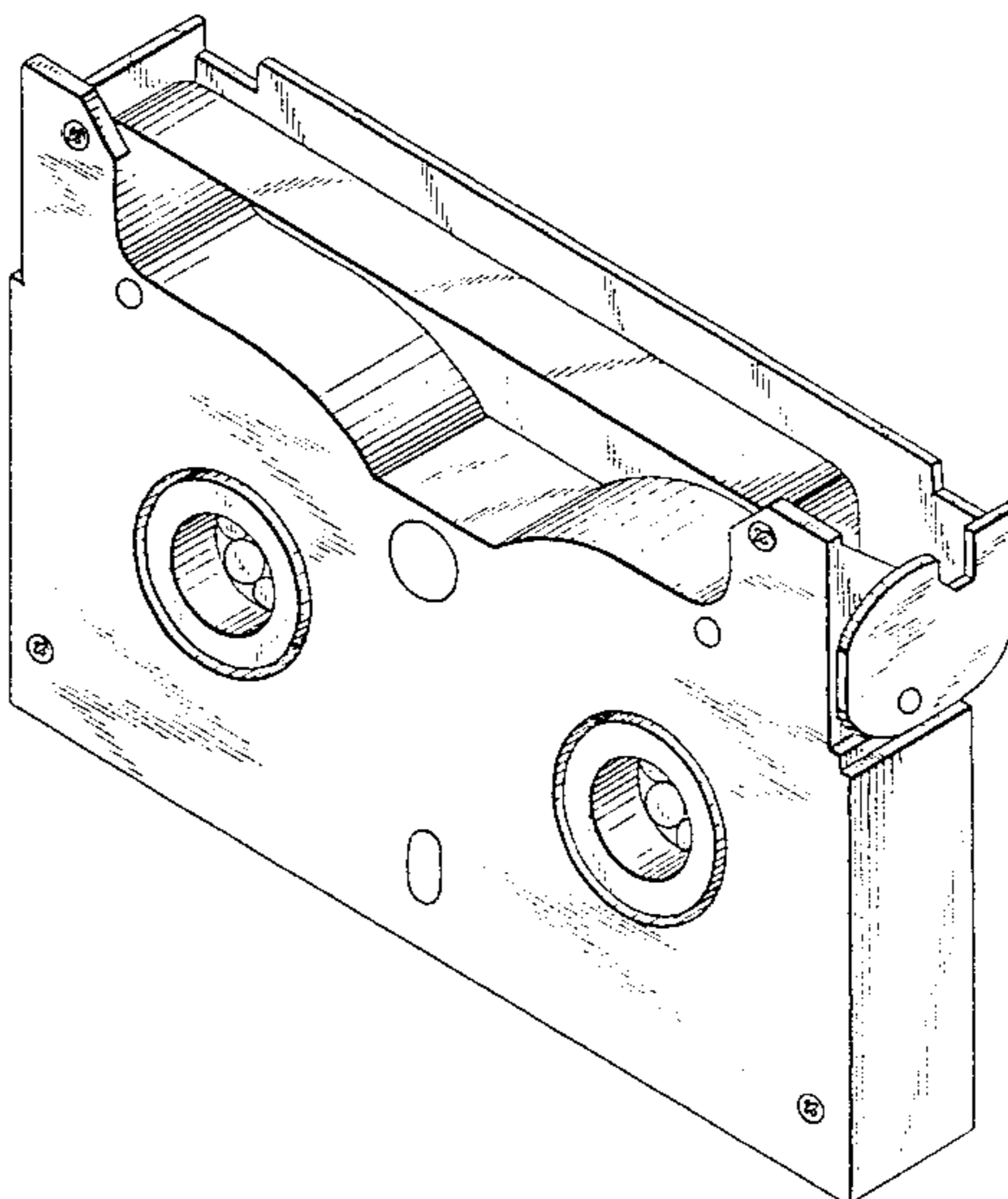
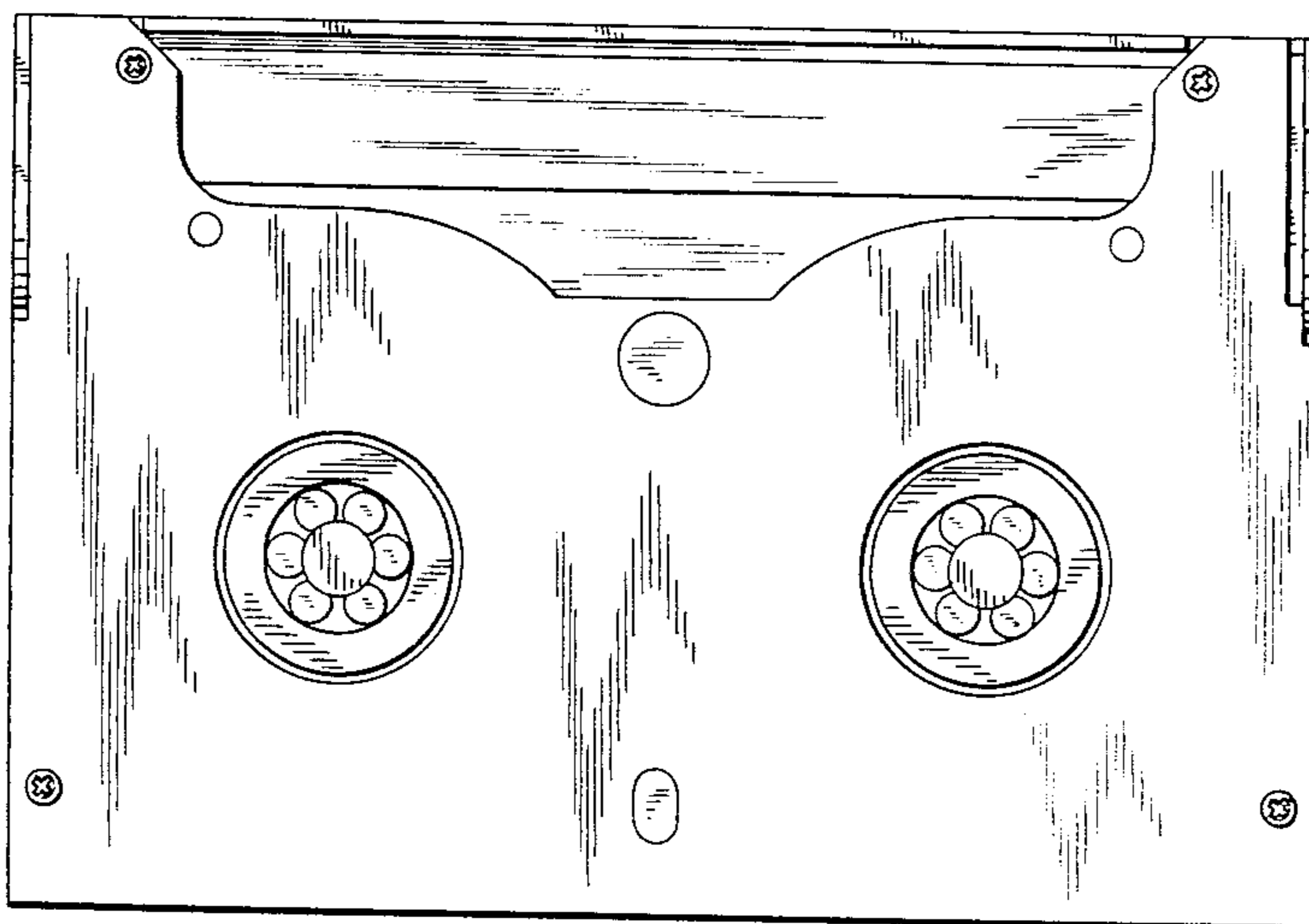


FIG. 1

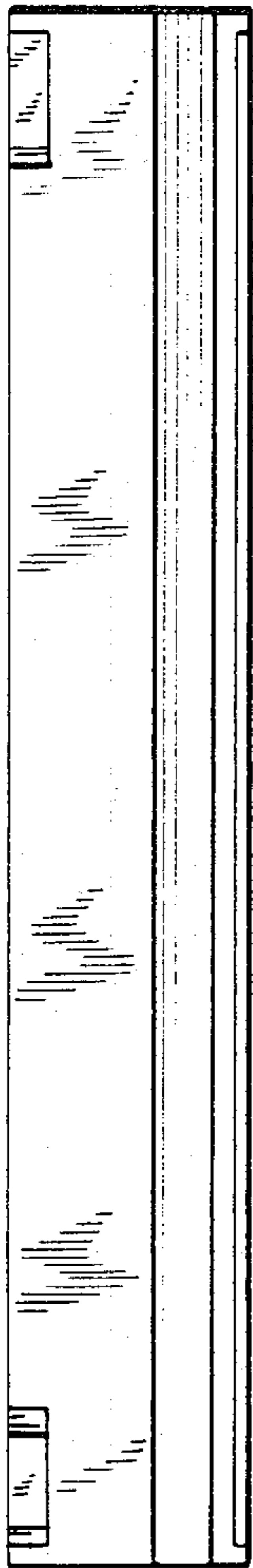


FIG. 3



FIG. 2

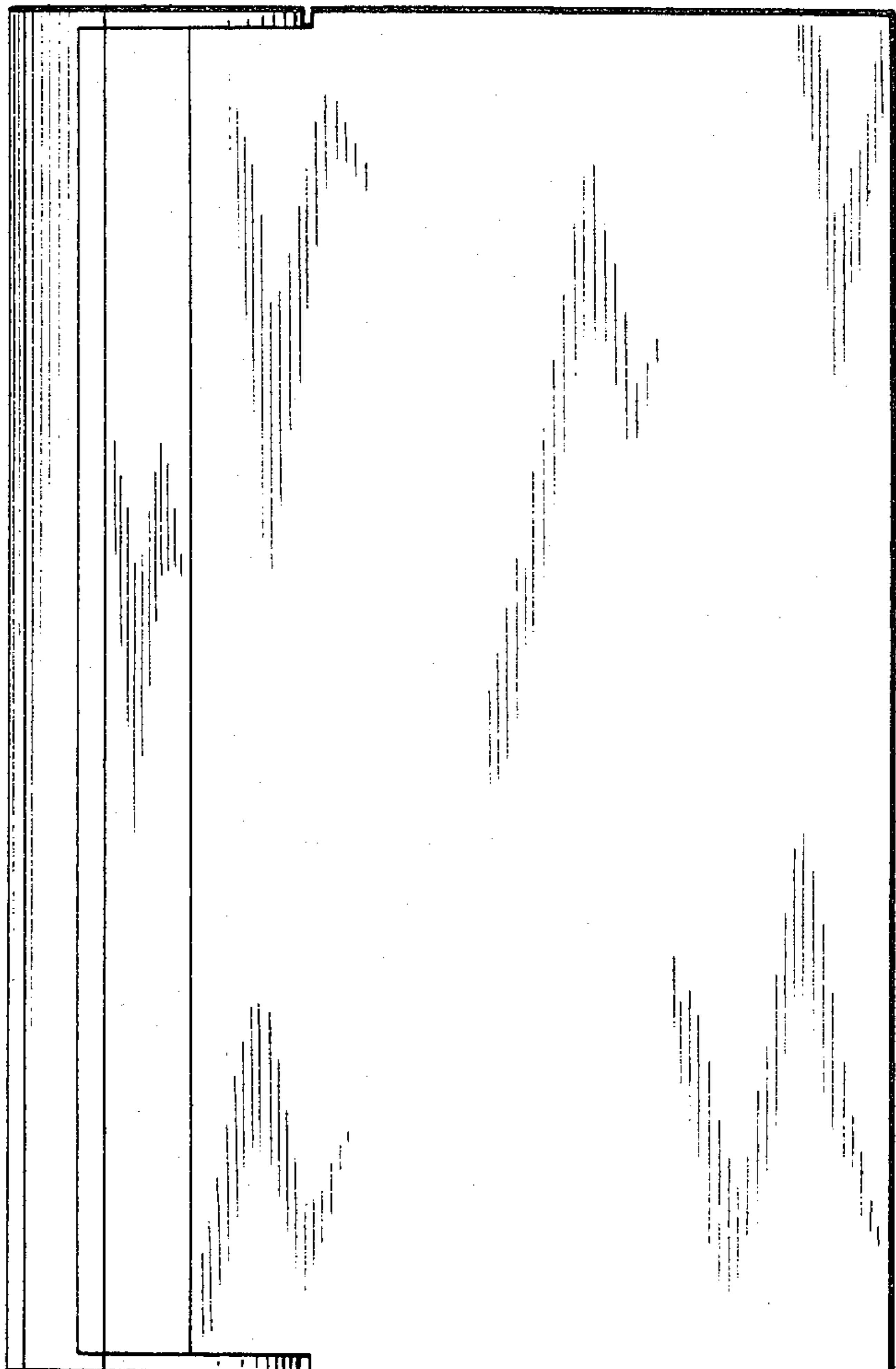


FIG. 5

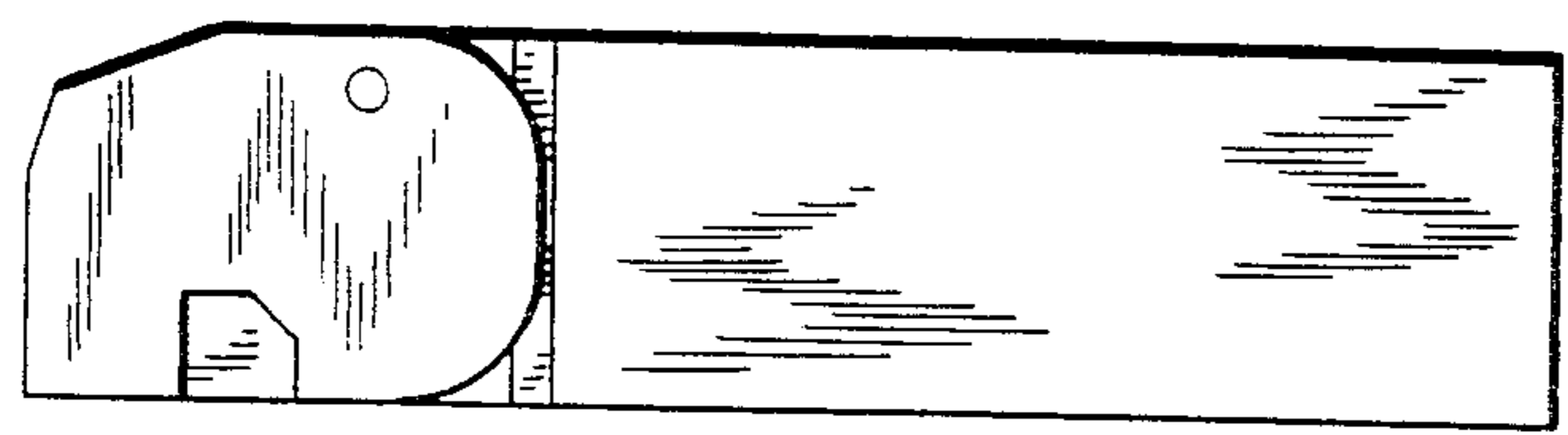
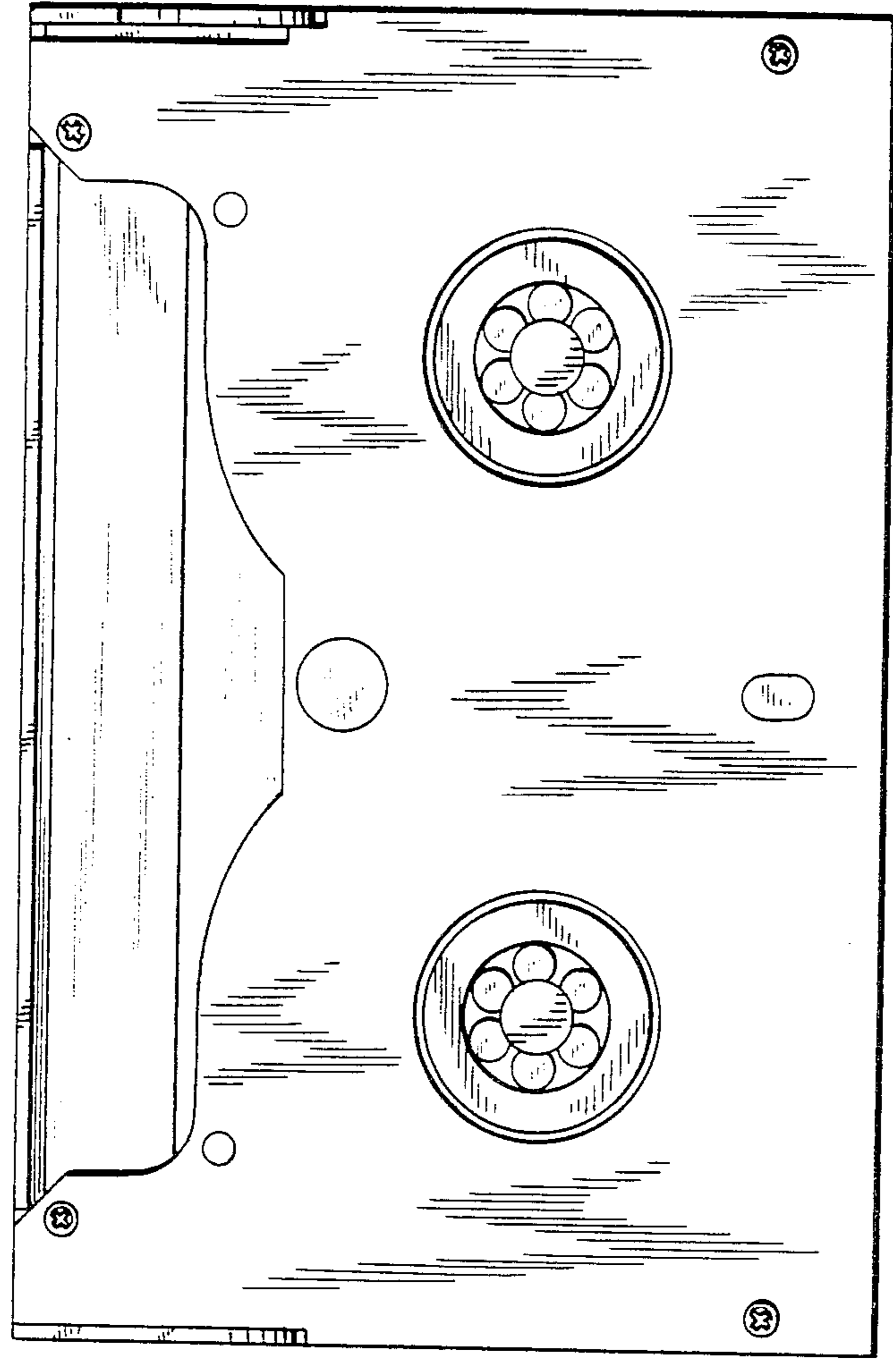
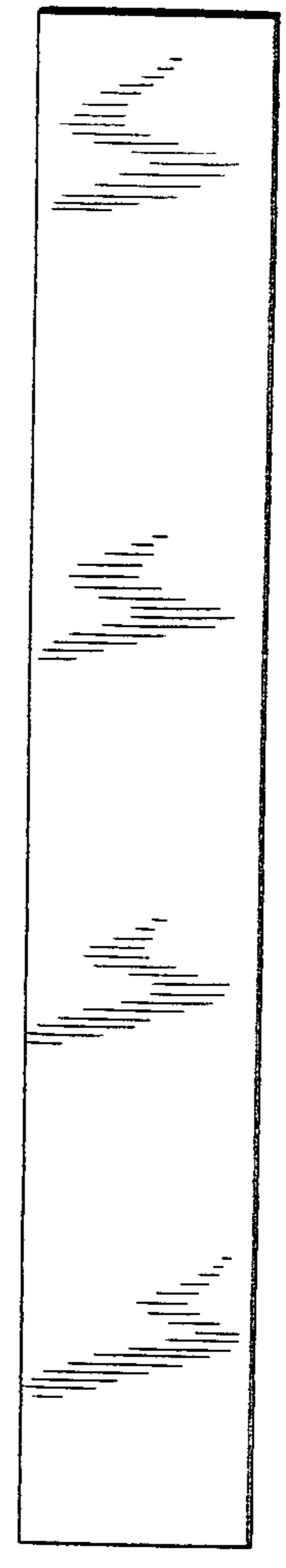


FIG. 4

FIG. 6



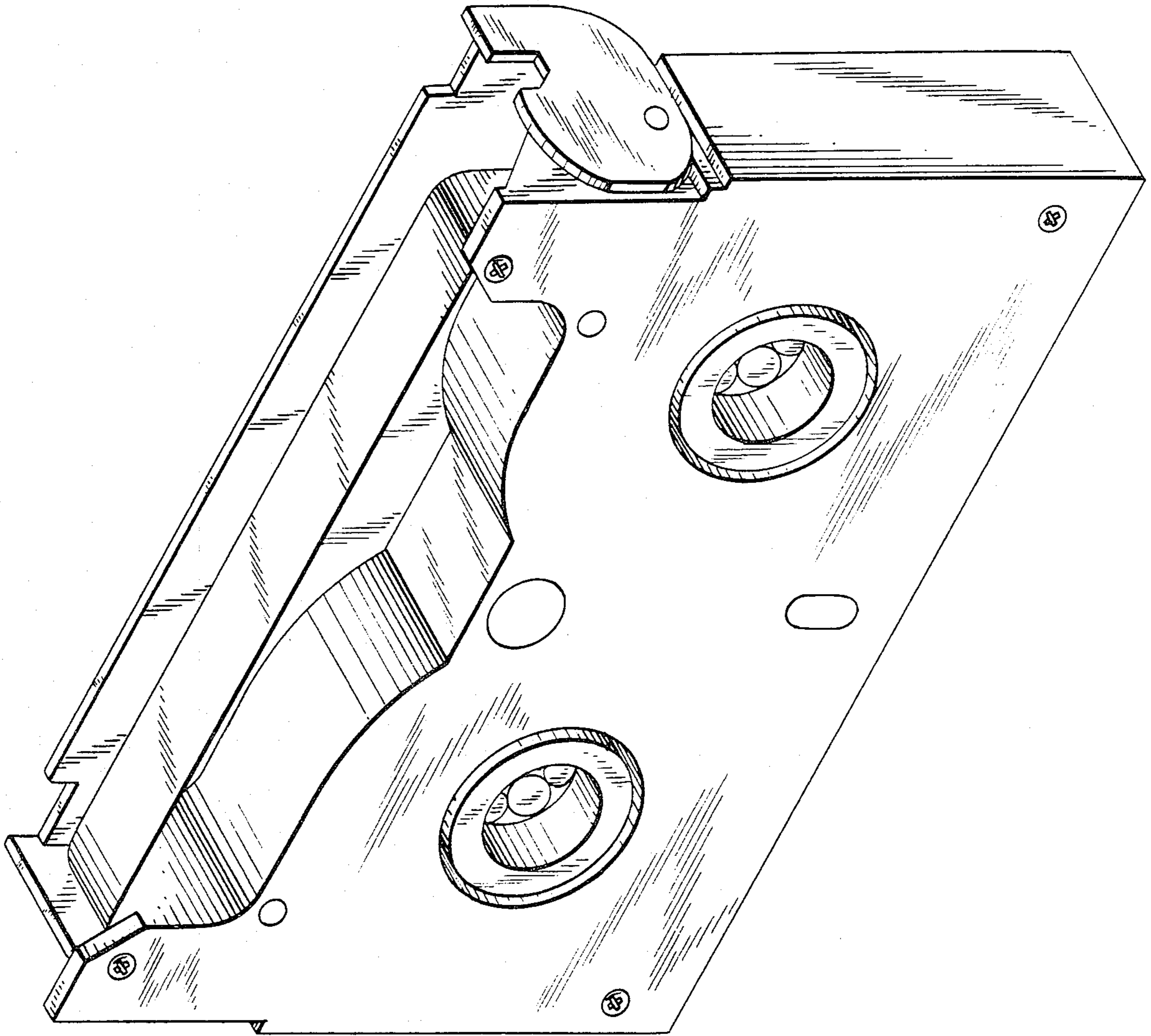


FIG. 7