

[54] WAVE GUIDE SWITCH  
[75] Inventor: Clinton F. Steidel, La Mirada, Calif.  
[73] Assignee: Transco Products, Inc., Marina Del Rey, Calif.  
[\*\*] Term: 14 Years  
[21] Appl. No.: 438,180  
[22] Filed: Nov. 1, 1982  
[52] U.S. Cl. .... D13/32  
[58] Field of Search ..... D13/32, 99, 37; D15/7; 200/1-5

D. 193,292 7/1962 Hogeman ..... D15/7  
D. 209,513 12/1967 Walters et al. .... D13/32

OTHER PUBLICATIONS

Transco Products Inc., Coaxial/Waveguide Switches, pp. 78, 84, 10, 9, Catalog 9/82.

Primary Examiner—A. Hugo Word  
Assistant Examiner—Lynn Wilder  
Attorney, Agent, or Firm—Charles H. Schwartz;  
Ellsworth R. Roston

[57] CLAIM

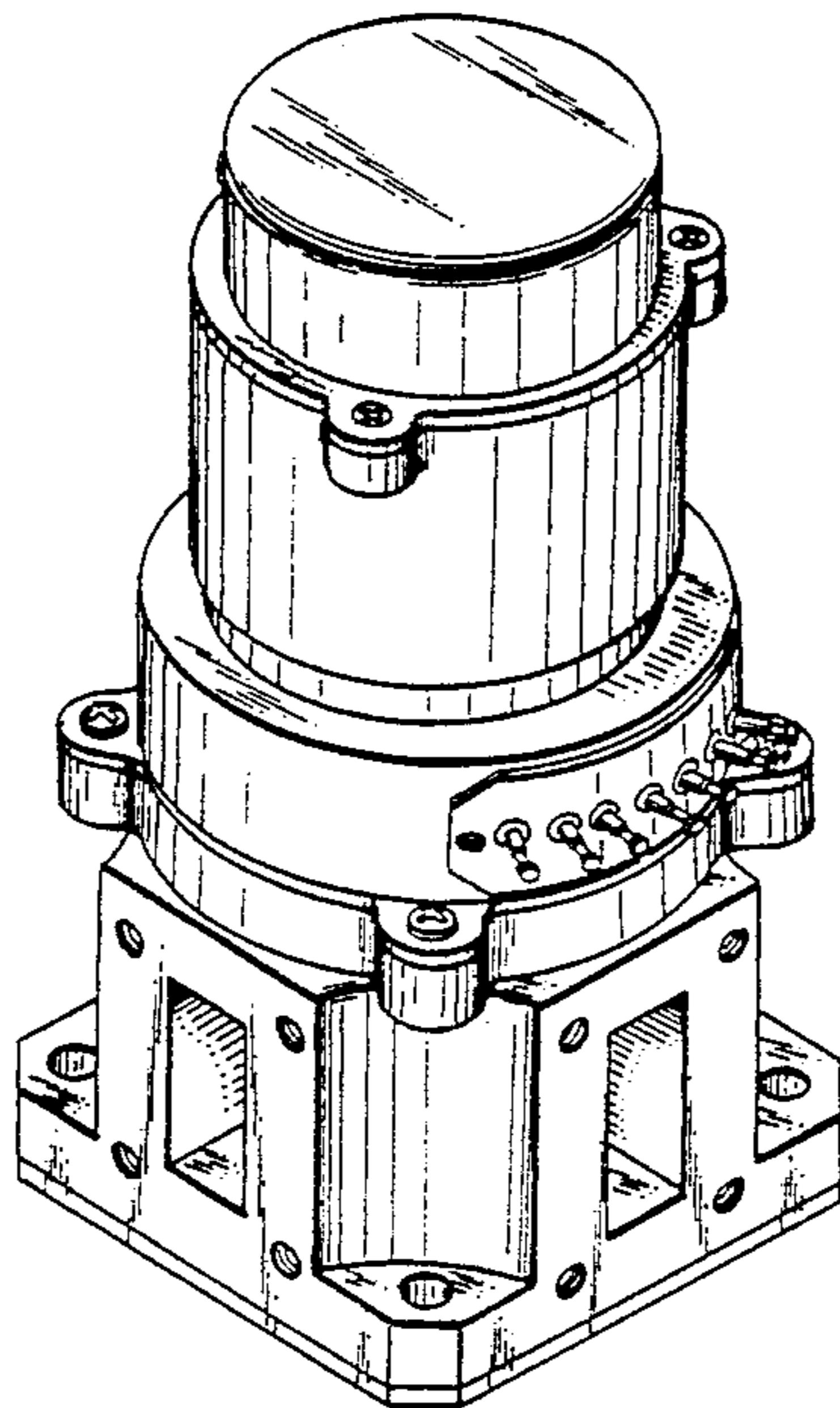
The ornamental design for a wave guide switch, substantially as shown.

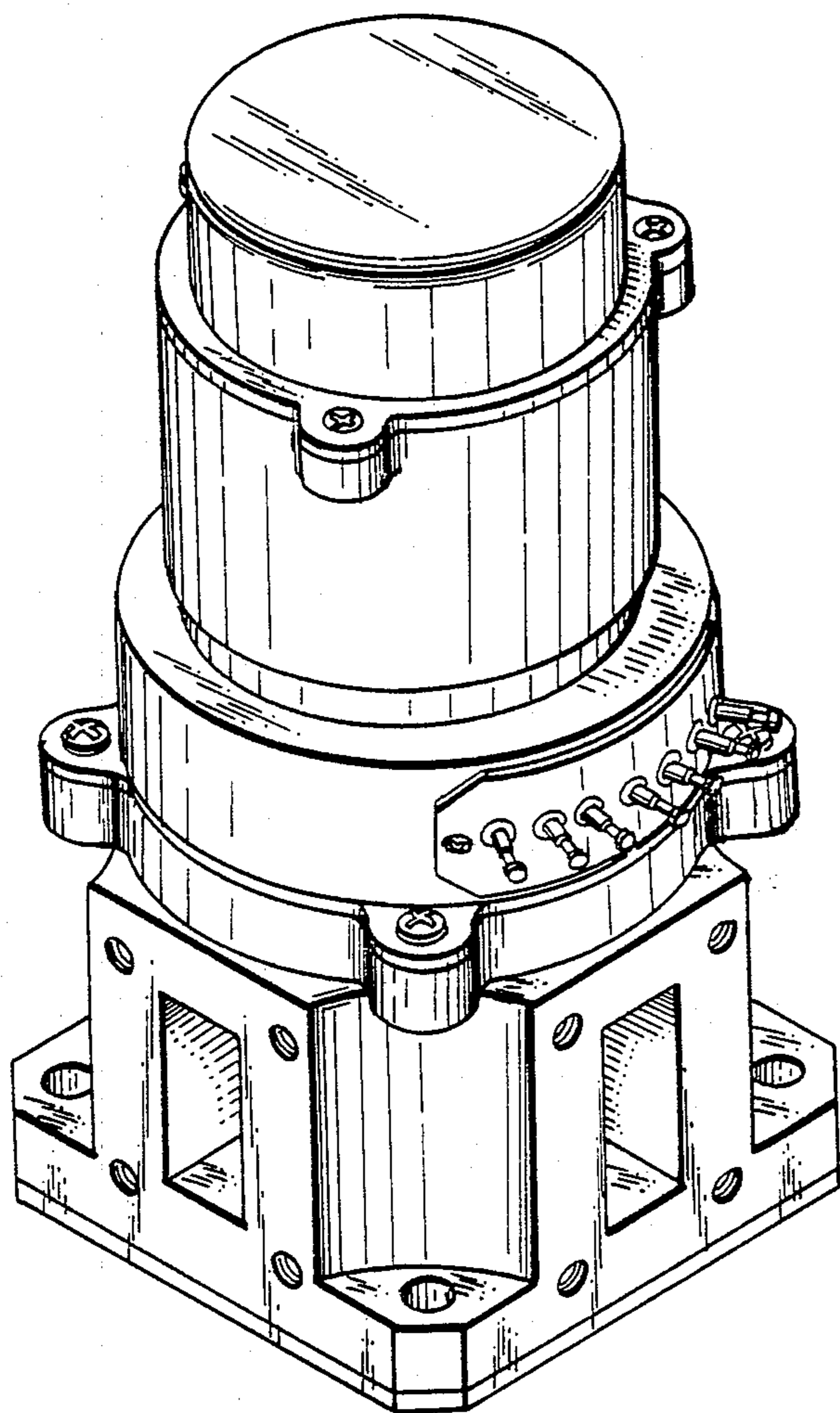
[56] References Cited  
U.S. PATENT DOCUMENTS

D. 113,740 3/1939 Hardage ..... D13/32  
D. 138,405 8/1944 Cole ..... D13/32  
D. 183,430 8/1958 Schmidt ..... D13/32  
D. 184,533 3/1959 Overholser et al. .... D13/99  
D. 185,256 5/1959 Arneberg et al. .... D13/37

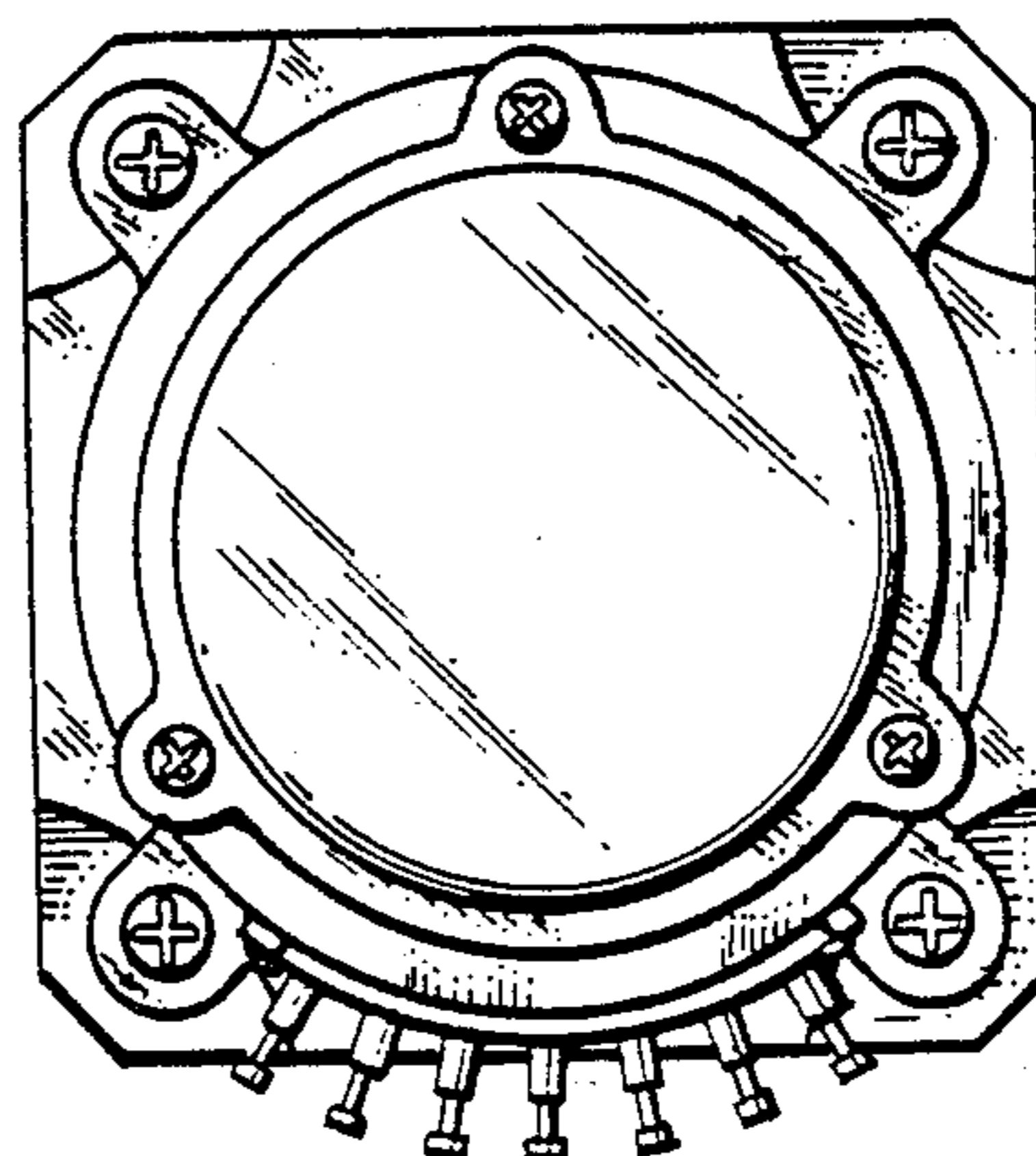
DESCRIPTION

FIG. 1 is a perspective view of a wave guide switch showing my new design;  
FIG. 2 is a top plan view thereof;  
FIG. 3 is a side elevational view thereof;  
FIG. 4 is a back elevational view thereof;  
FIG. 5 is a bottom plan view thereof.

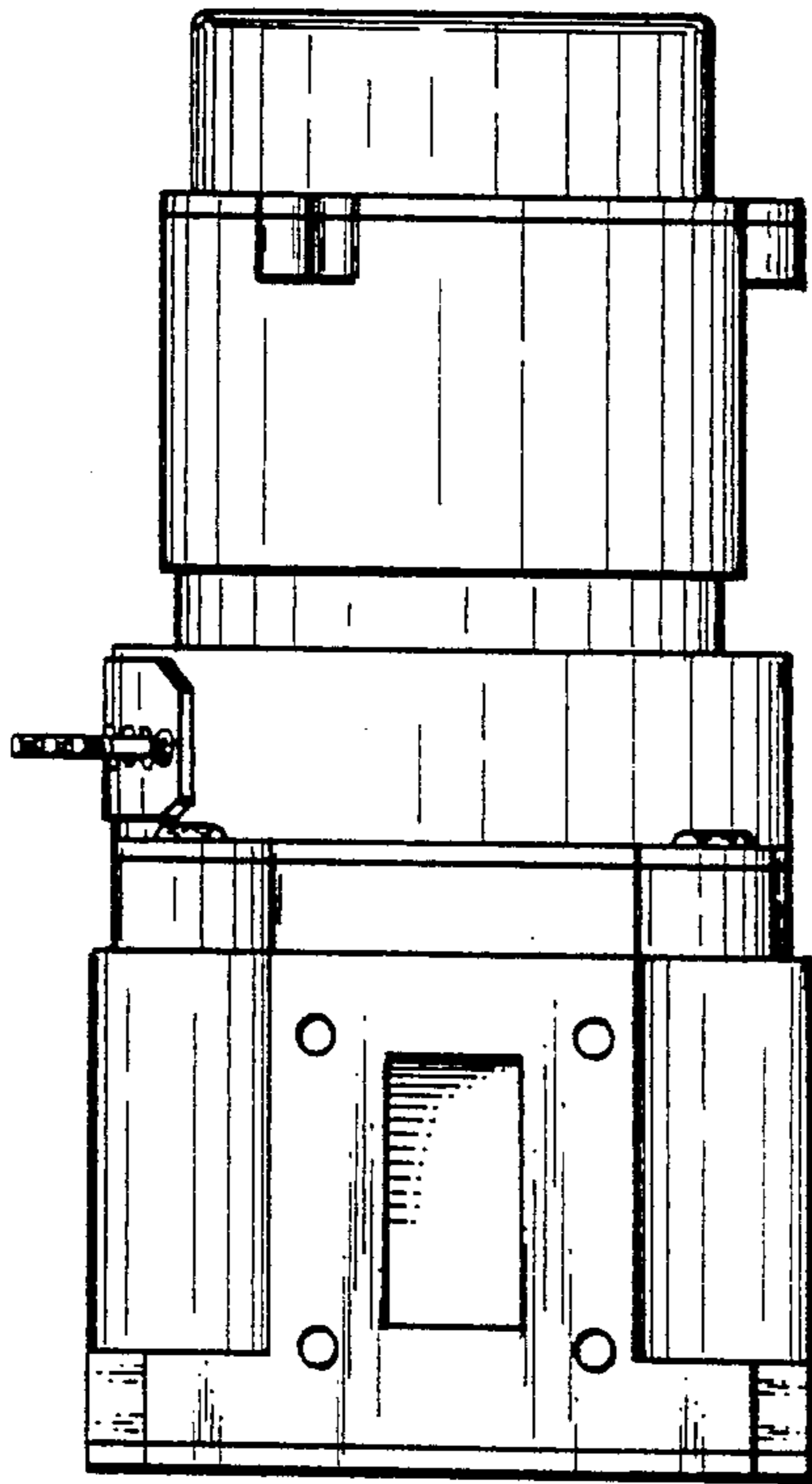




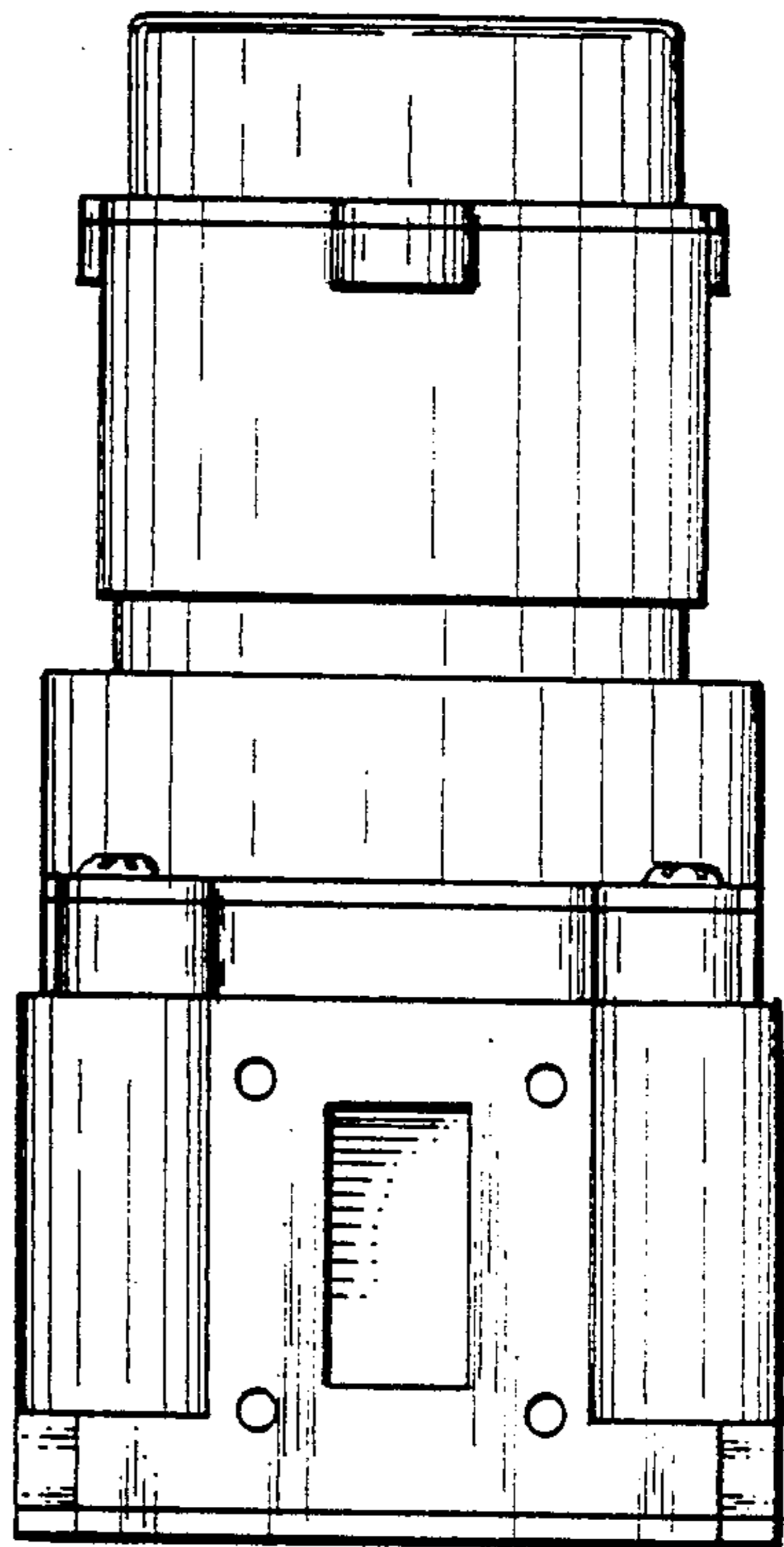
*FIG. 1*



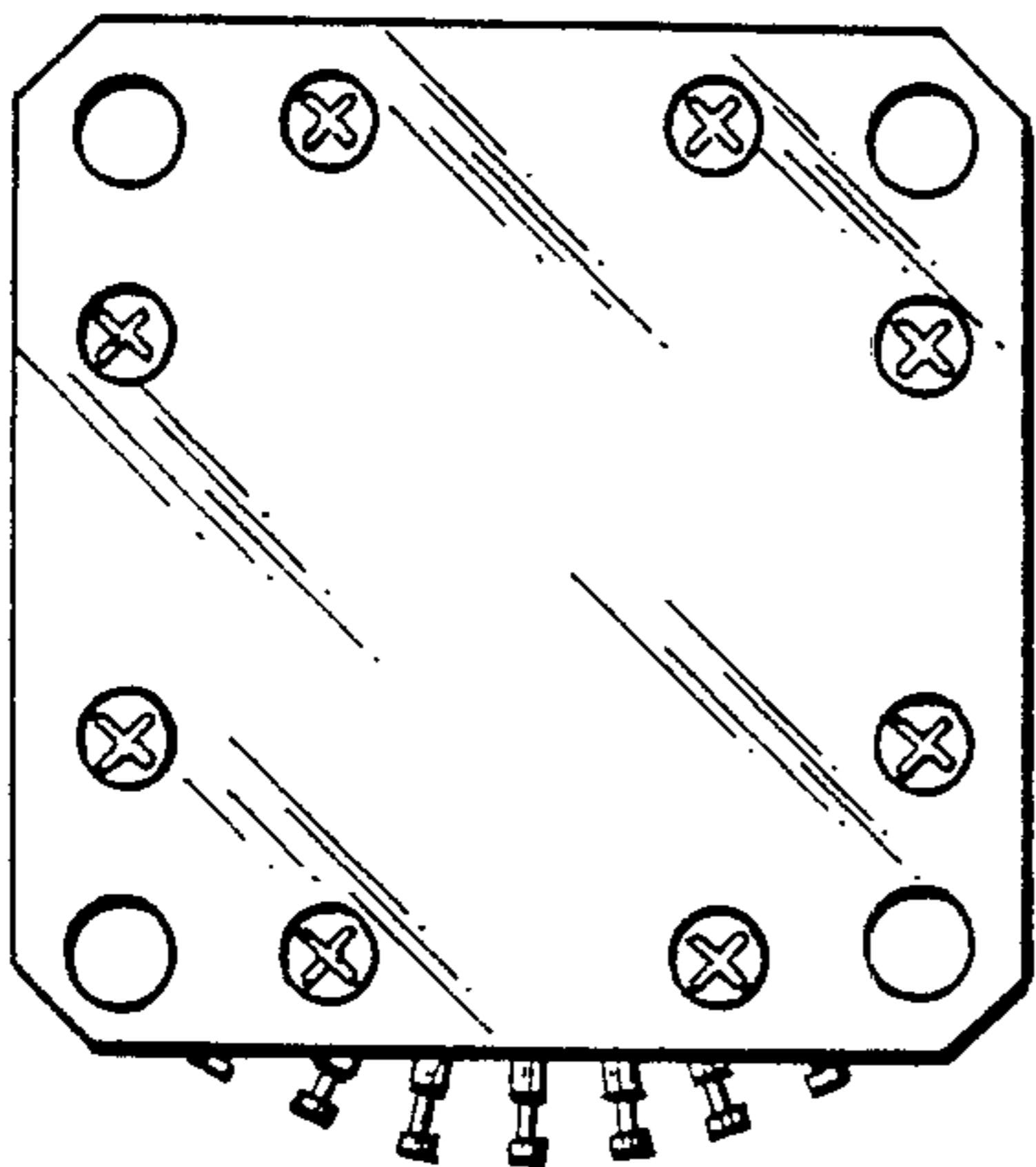
*FIG. 2*



*Fig. 3*



*Fig. 4*



*Fig. 5*