

[54] HEAT-CONDUCTING HEAT SINK COMPONENT FOR A THREE FLUID HEAT EXCHANGER

[75] Inventor: Gregory G. Tatum, Marietta, Ga.

[73] Assignee: Sunfab, Ltd., Marietta, Ga.

[\*\*] Term: 14 Years

[21] Appl. No.: 420,087

[22] Filed: Sep. 20, 1982

[52] U.S. Cl. .... D13/23; D25/74

[58] Field of Search ..... 174/16 HS; 357/81; 165/80, 80 A, 80 B, 18 S, 171, 172, 178, 162, 140, 183, 182, 181, 179; D25/74, 75, 87; 248/68 R, 68 CB, 74.3; D13/23

[56] References Cited

U.S. PATENT DOCUMENTS

- 3,437,297 4/1969 Jirka et al. .... 248/68 CB
- 4,190,105 2/1980 Dankowski ..... 165/179
- 4,220,199 9/1980 Romanos ..... 165/172 X

FOREIGN PATENT DOCUMENTS

- 476161 5/1929 Fed. Rep. of Germany ..... 248/74.3

Primary Examiner—Susan J. Lucas  
Attorney, Agent, or Firm—Louis T. Isaf

[57] CLAIM

The ornamental design for a heat-conducting heat sink component for a three fluid heat exchanger, substantially as shown and described.

DESCRIPTION

FIG. 1 is an isometric view of the heat-conducting heat sink component for a three fluid heat exchanger, showing my new design;

FIG. 2 is an end view thereof, on an enlarged scale to which the opposite end view is substantially identical;

FIG. 3 is a right side view (seen from the right side of FIG. 2) thereof on an enlarged scale;

FIG. 4 is a left side view thereof on an enlarged scale;

FIG. 5 is a bottom view thereof on an enlarged scale;

FIG. 6 is a top view thereof on an enlarged scale;

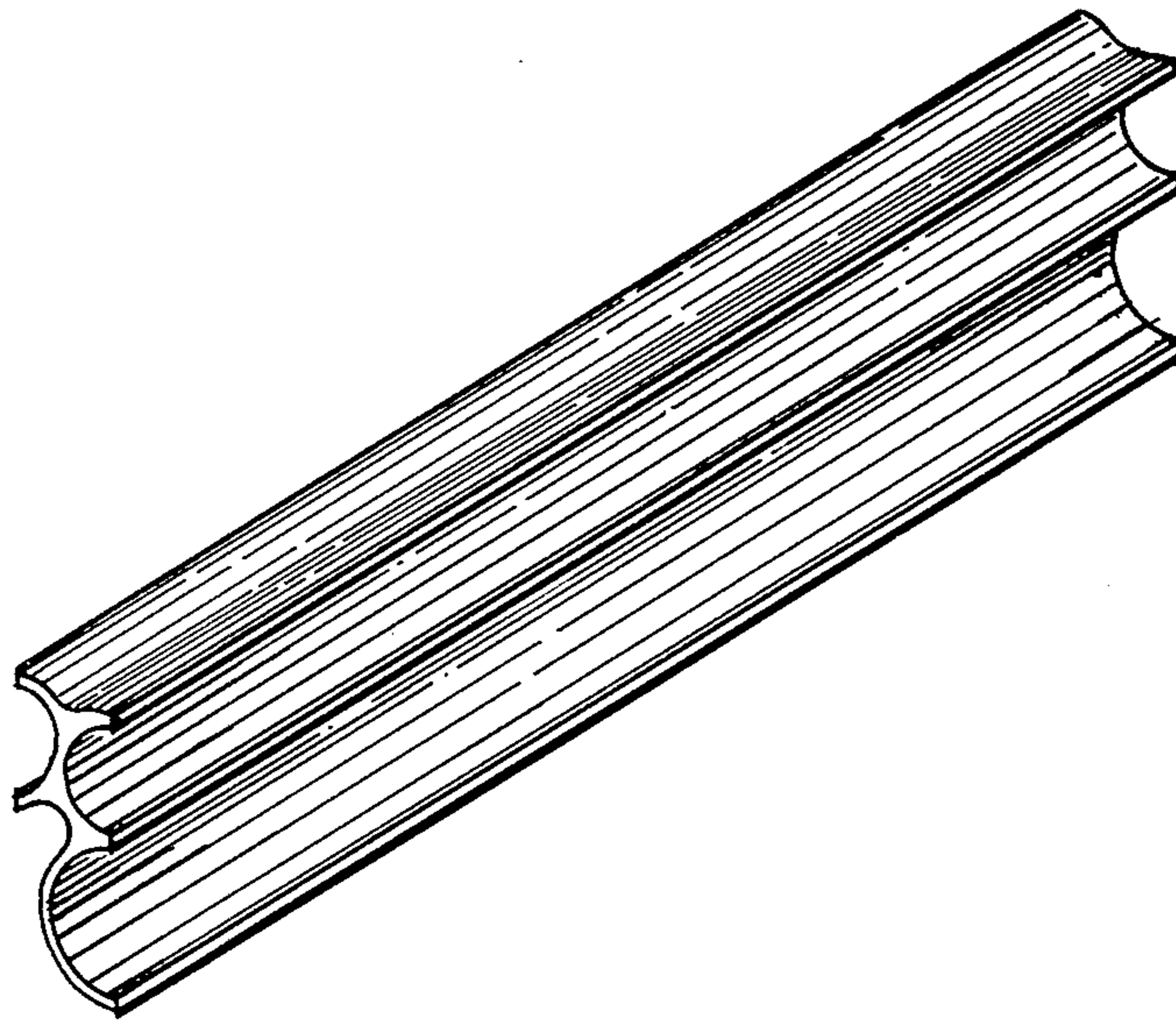
FIG. 7 is an isometric view of the heat-conducting heat sink component for a three fluid heat exchanger, showing my new design, but showing an alternative embodiment to that of FIG. 1;

FIG. 8 is an end view of the embodiment of FIG. 7 to which the opposite end view is substantially identical;

FIG. 9 is a right side view (seen from the right side of FIG. 8) of the embodiment of FIG. 7;

FIG. 10 is a left side view of the embodiment of FIG. 7;

FIG. 11 is a top view of the embodiment of FIG. 7, to which the bottom view is substantially identical.



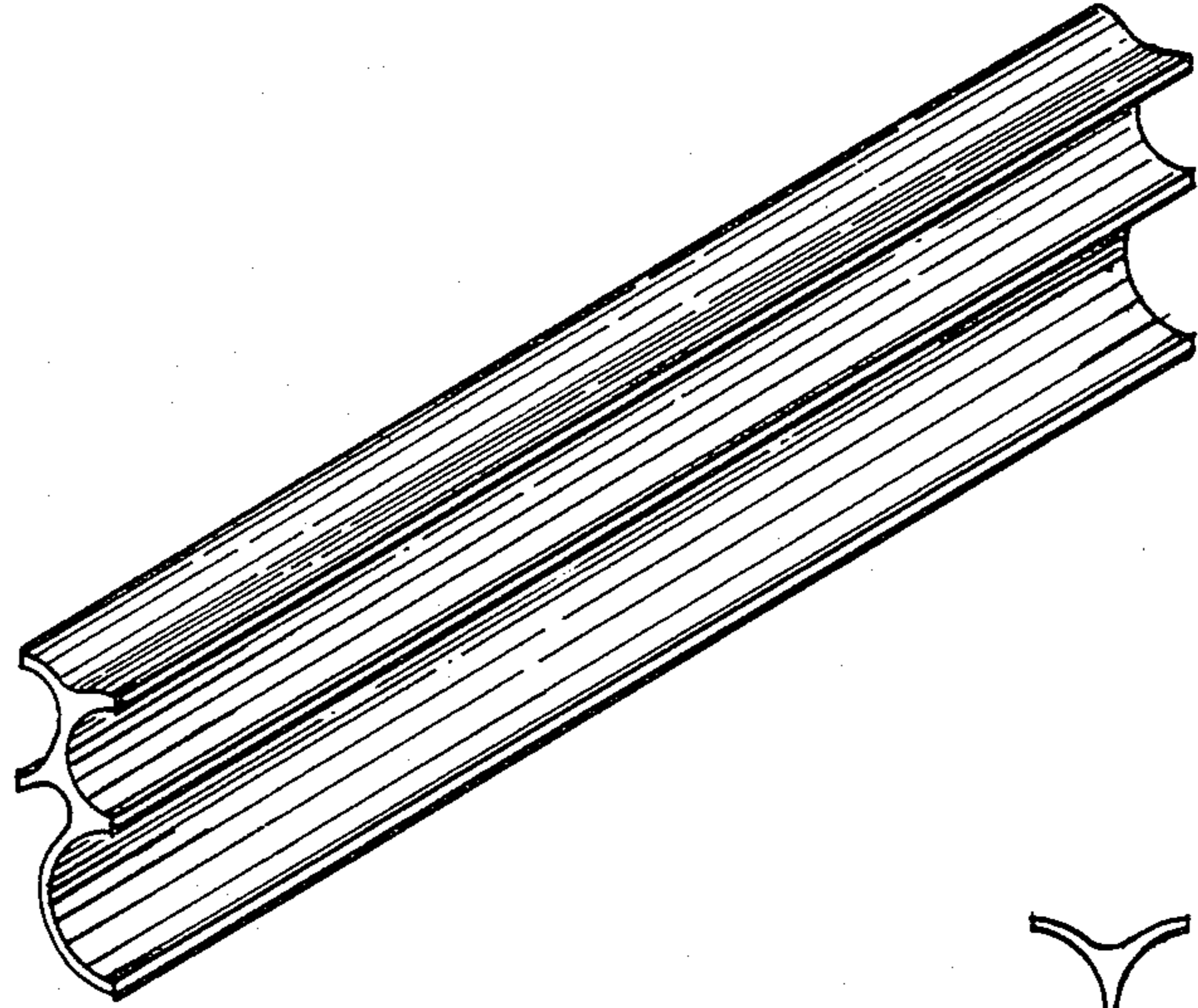


FIG. 1

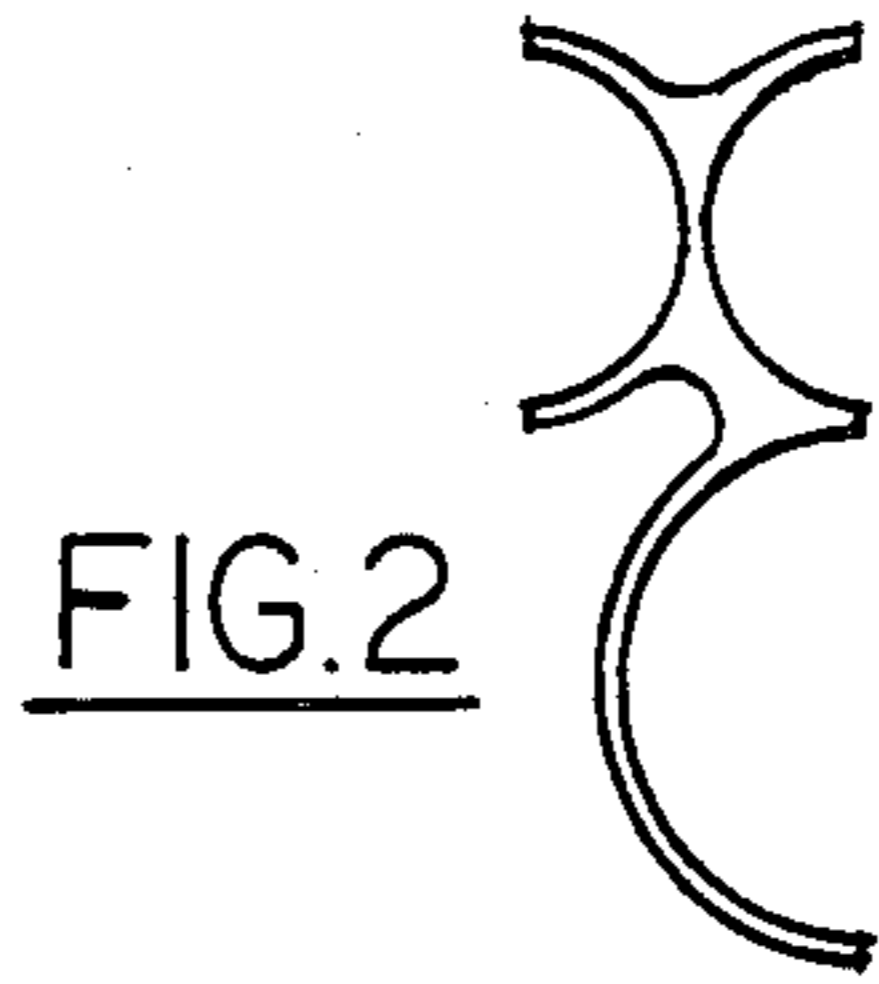


FIG. 2

FIG. 3

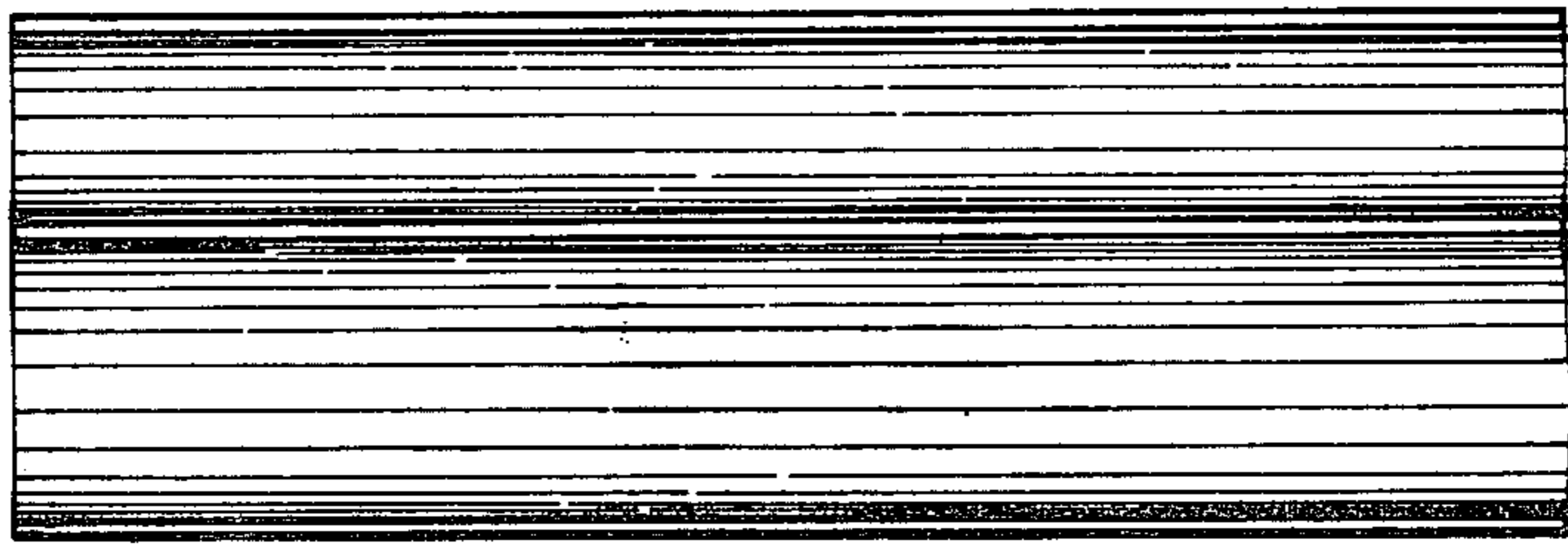


FIG. 4

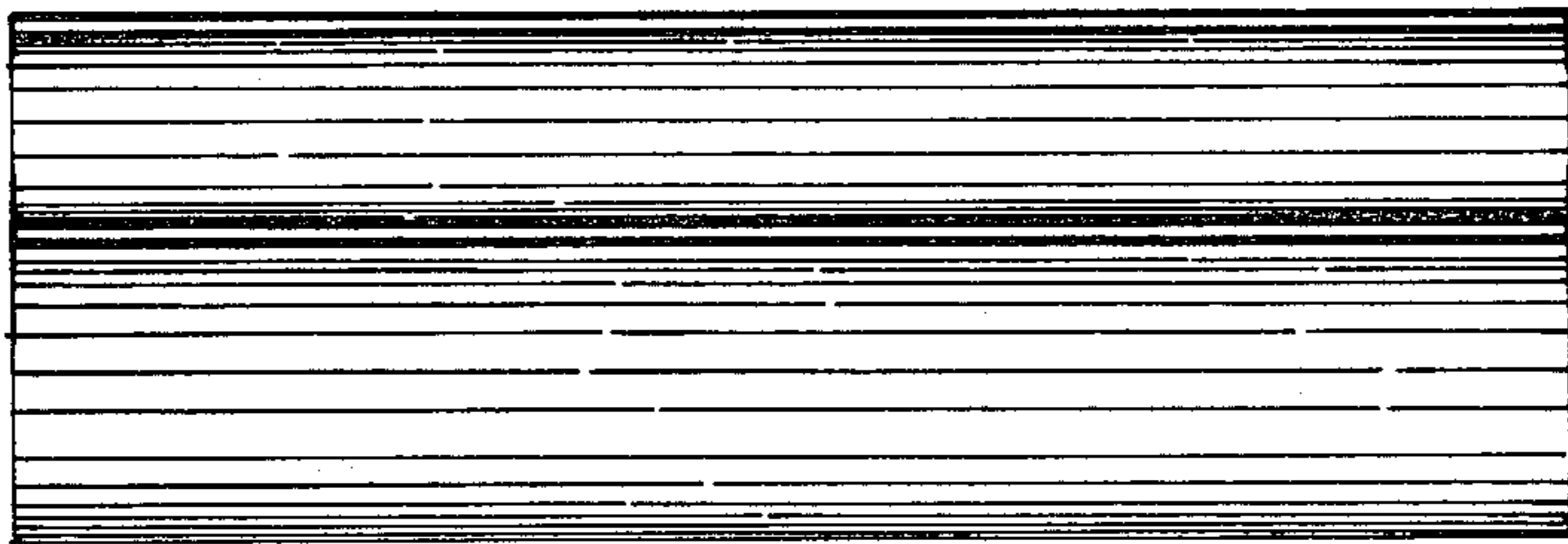


FIG. 5

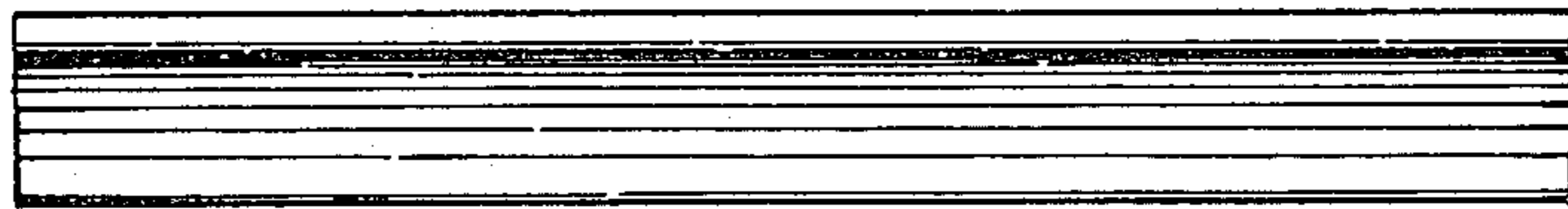
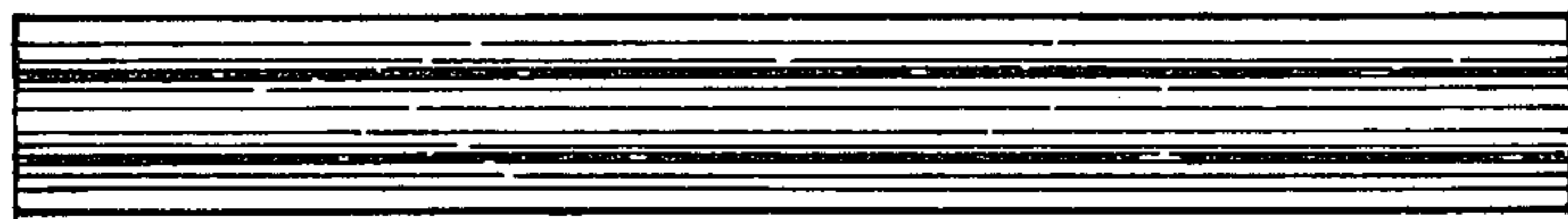


FIG. 6



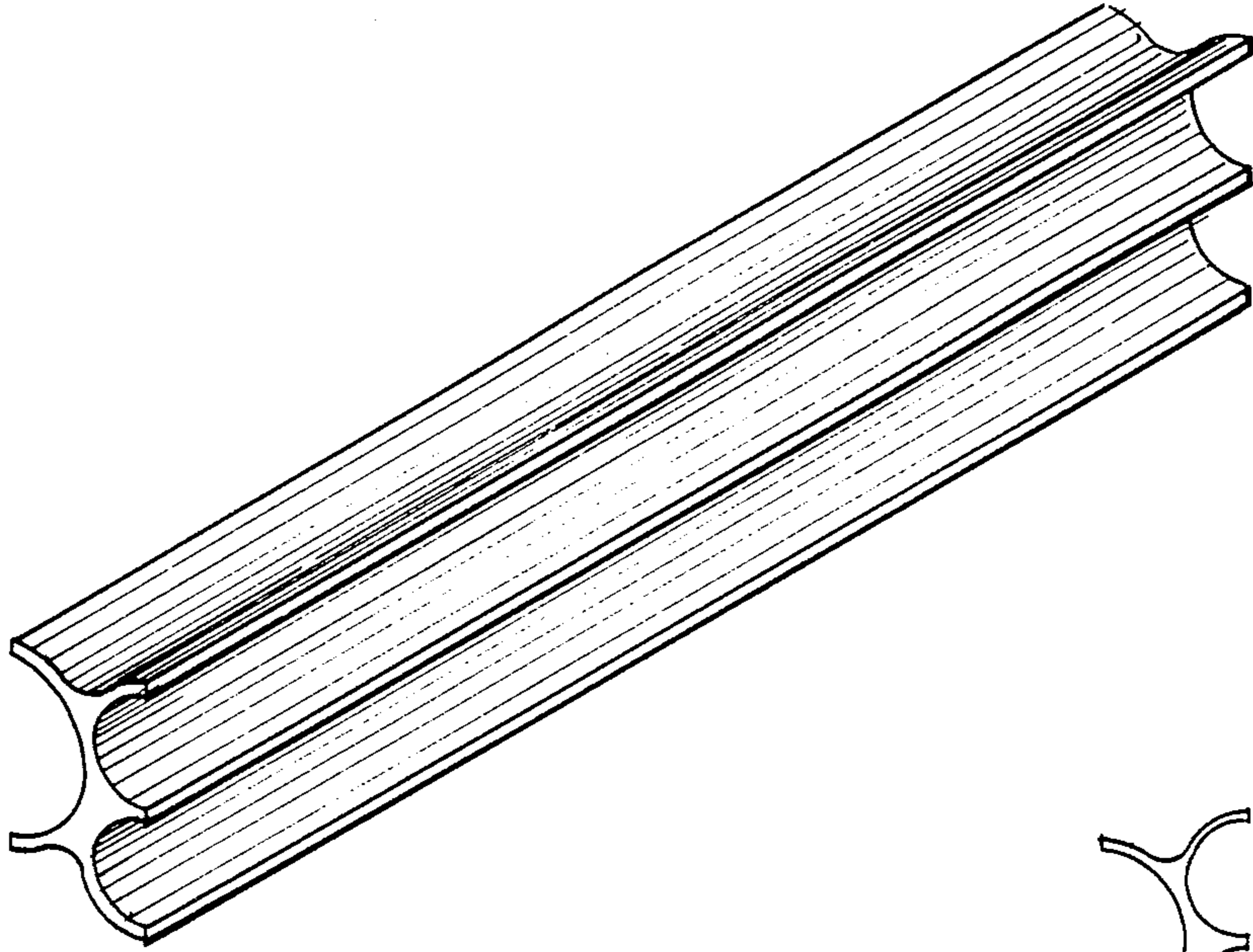


FIG. 7



FIG. 8

FIG. 9

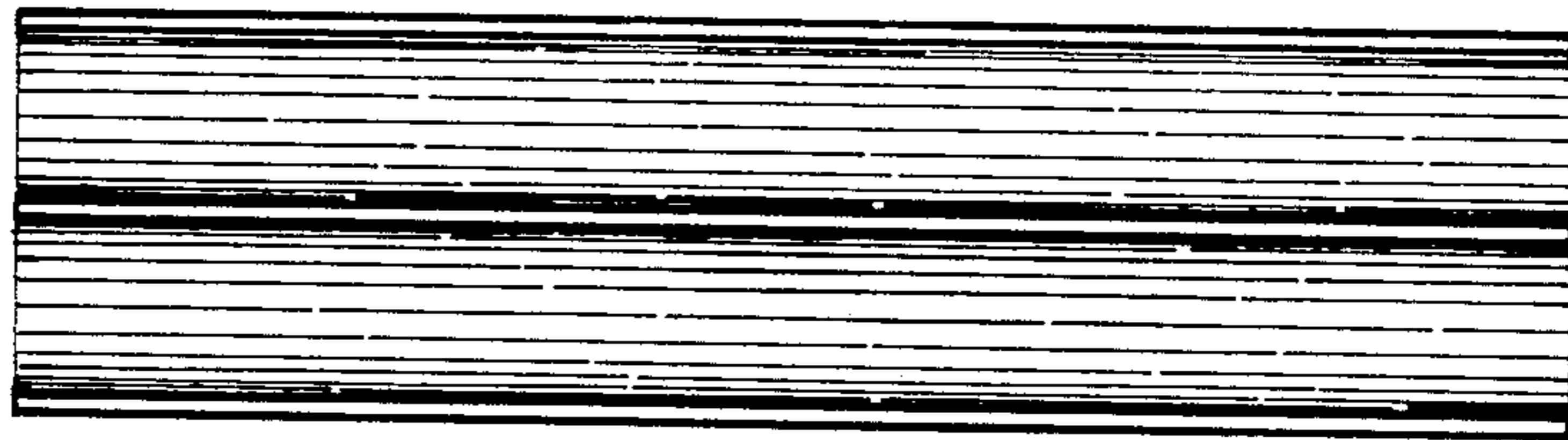


FIG. 10

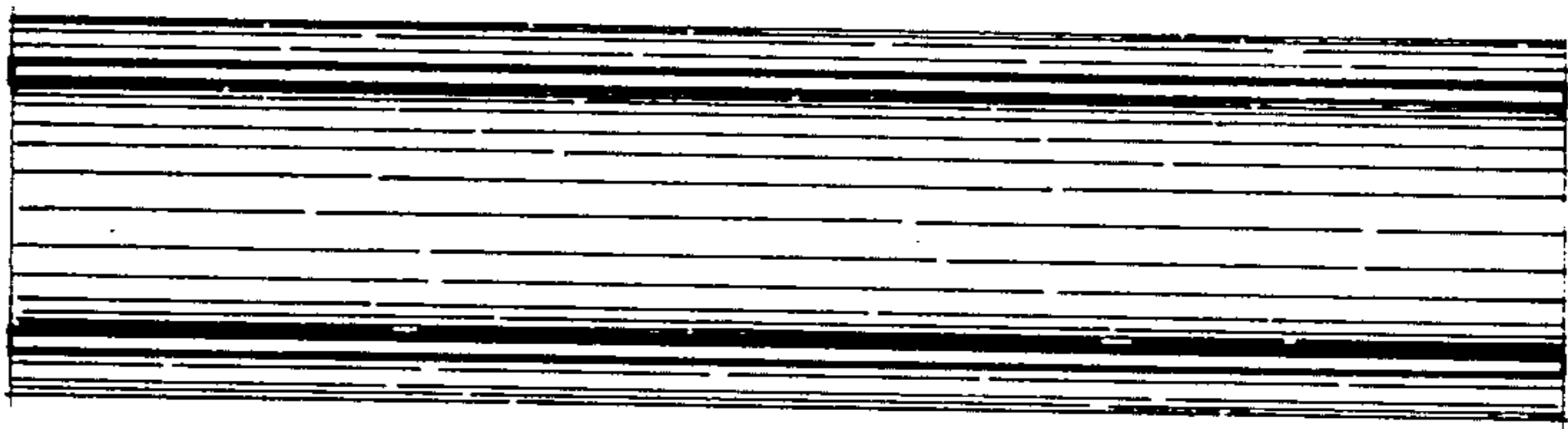


FIG. 11

