

United States Patent [19]
Felix

[11] **Patent Number: Des. 278,131**

[45] **Date of Patent: ** Mar. 26, 1985**

[54] **ANEMOMETRIC WIND VANE**

[76] **Inventor: Gary Felix, 1278 Glenneyve, #253,
Laguna Beach, Calif. 92651**

[**] **Term: 14 Years**

[21] **Appl. No.: 549,779**

[22] **Filed: Nov. 8, 1983**

[52] **U.S. Cl. D10/59; D11/141**

[58] **Field of Search D11/1, 131, 132, 141,
D11/157; D2/230; D10/59; D21/93; 73/188,
189; 446/210, 217**

[56] **References Cited**

U.S. PATENT DOCUMENTS

D. 51,235 9/1917 Lee D21/93

D. 117,603 11/1939 Thoren D21/93
D. 254,430 3/1980 Coffey D10/59
671,181 4/1901 Cardella 446/210
3,049,720 8/1962 Caine D2/230 X
3,871,220 3/1975 Hillman 73/189

Primary Examiner—Louis S. Zarfes
Attorney, Agent, or Firm—Thomas I. Rozsa

[57] **CLAIM**

The ornamental design for an anemometric wind vane,
as shown.

DESCRIPTION

FIG. 1 is a perspective view of an anemometric wind
vane showing my new design.

FIG. 2 is a side view.

FIG. 3 is a top plan view.

FIG. 4 is a bottom plan view.

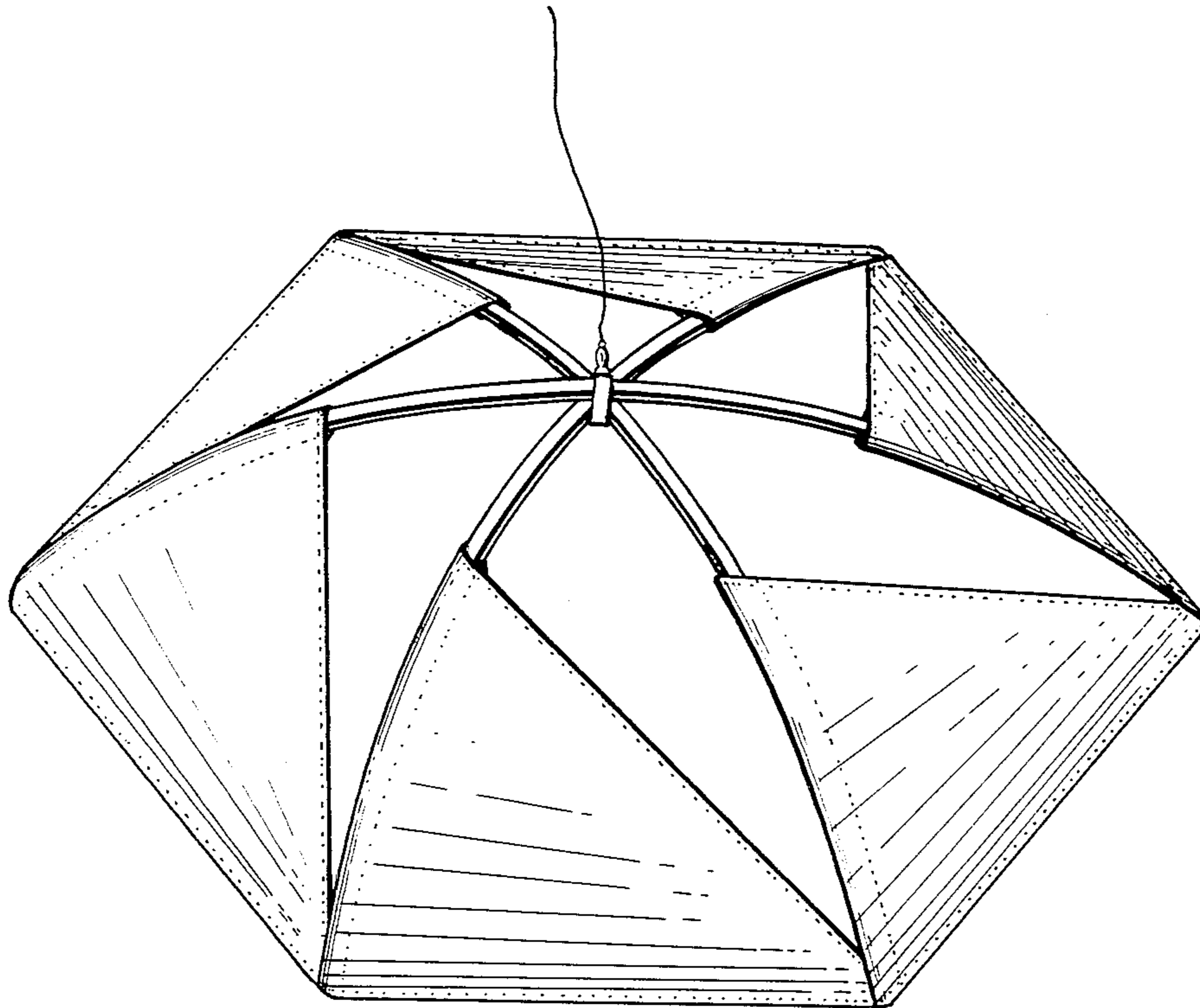


Fig. 1.

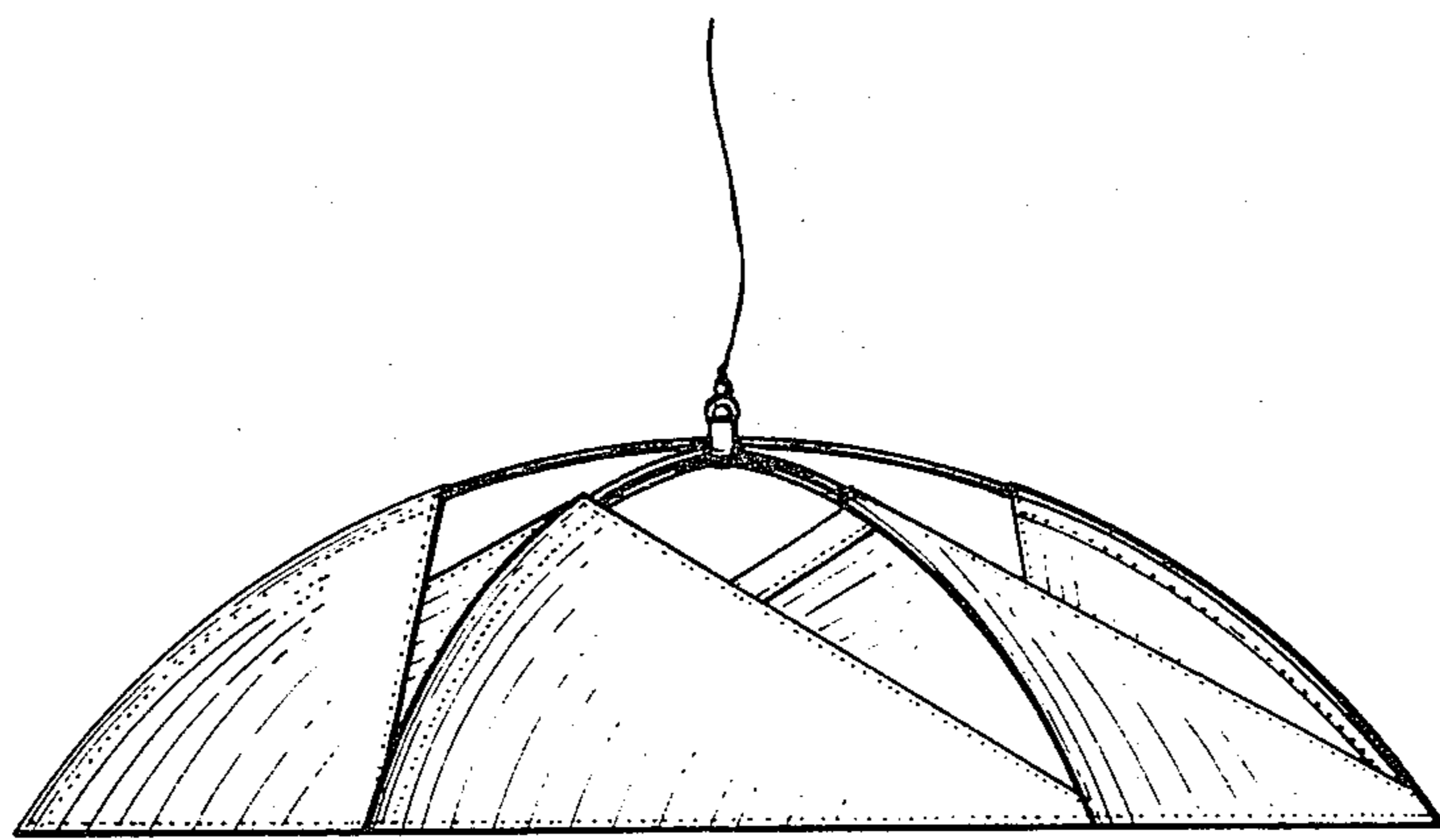
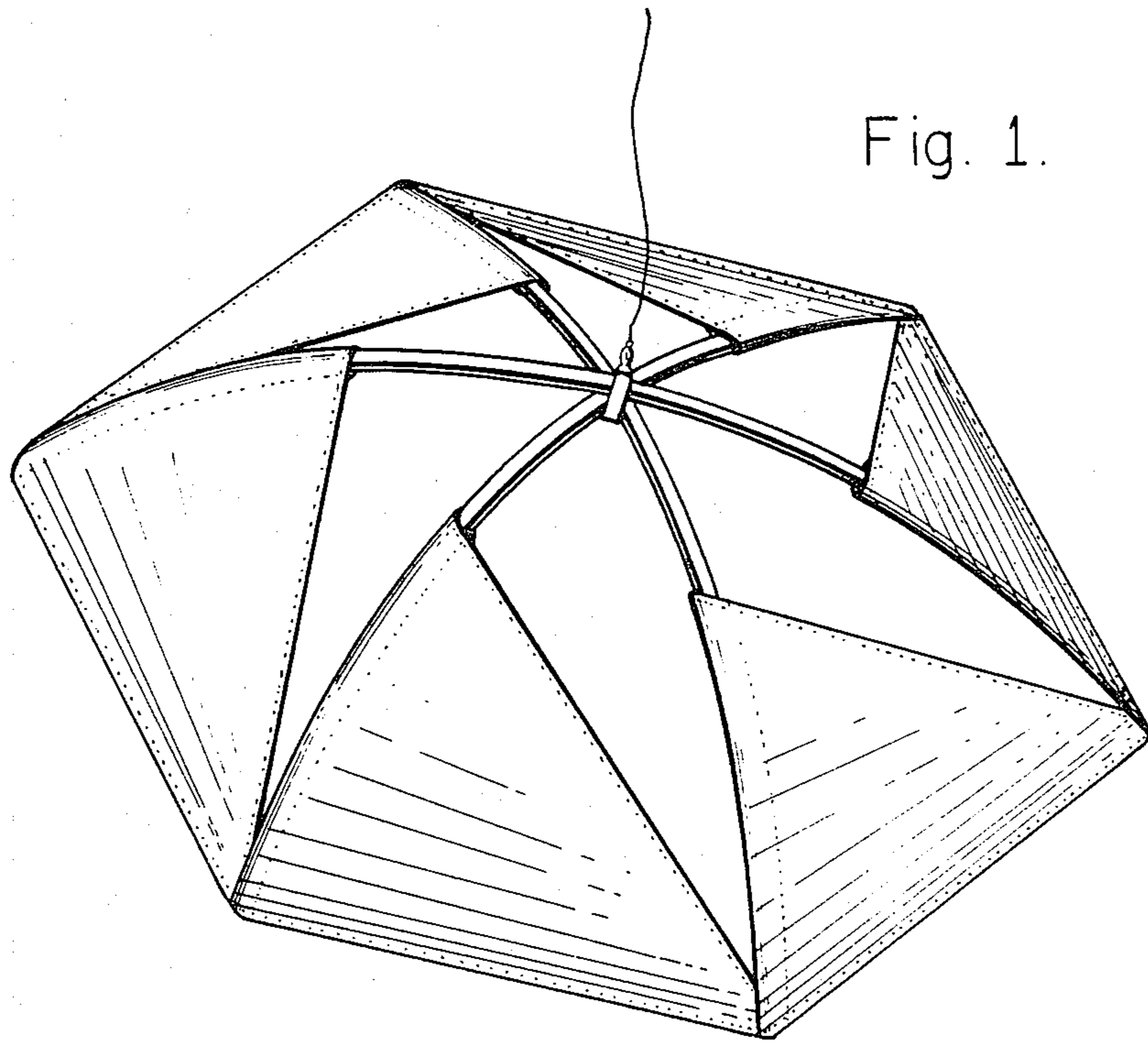


Fig. 2.

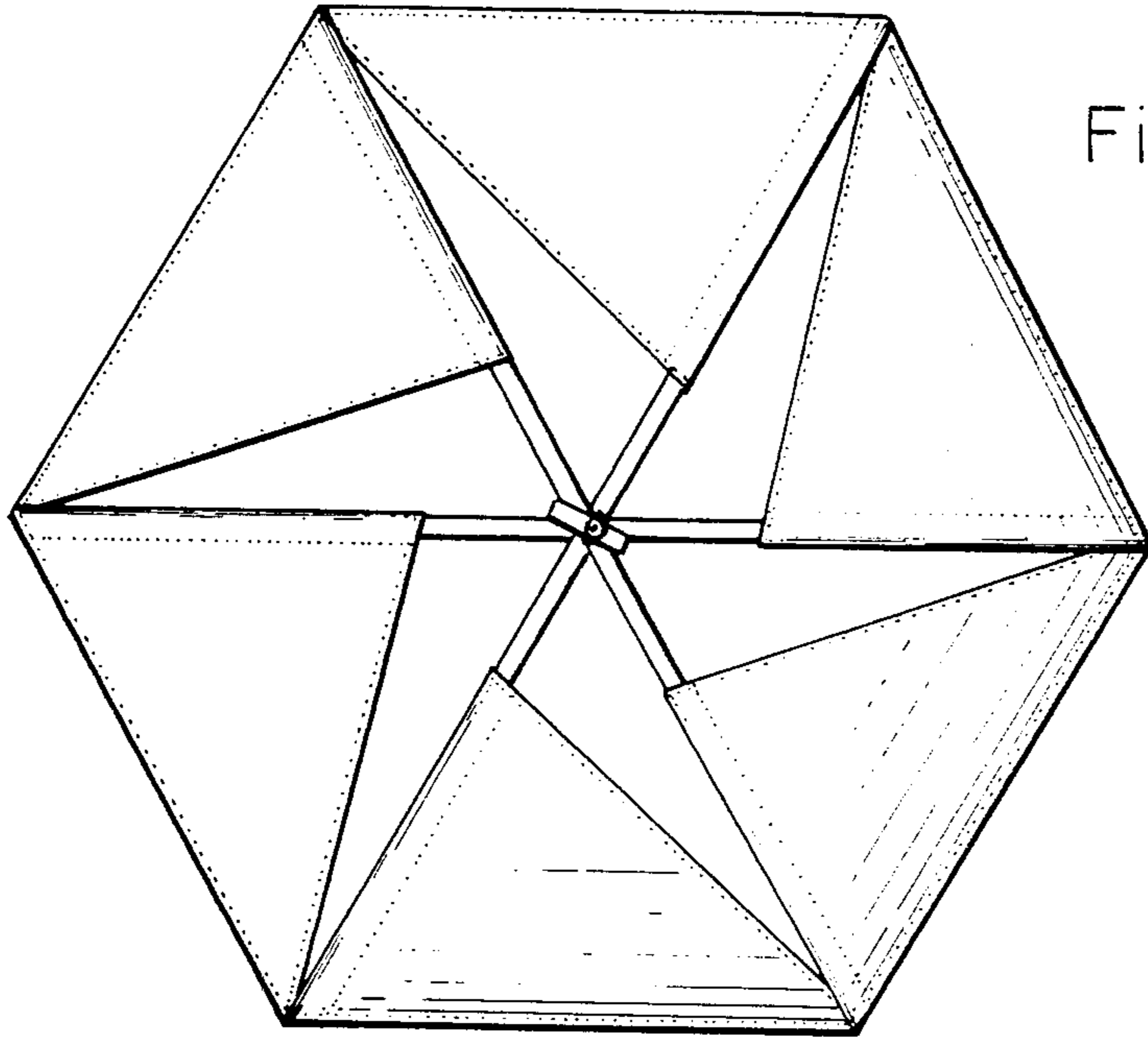


Fig. 3.

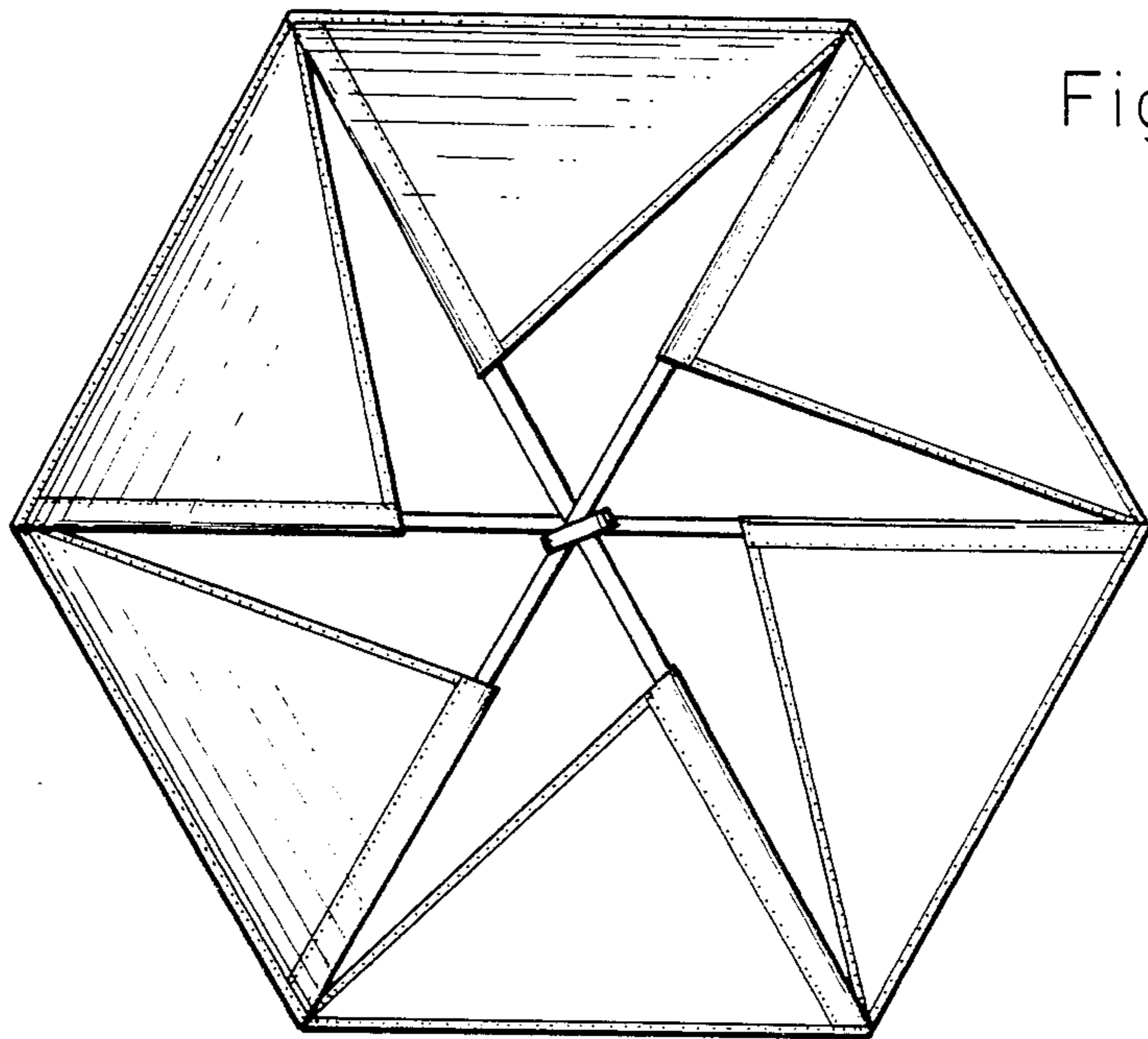


Fig. 4.