

[54] WATCH

[75] Inventors: John T. Houlihan, Watertown, Conn.; James J. Halicho, Sunnyvale, Calif.

[73] Assignee: Timex Corporation, Waterbury, Conn.

[**] Term: 14 Years

[21] Appl. No.: 476,089

[22] Filed: Mar. 17, 1983

[52] U.S. Cl. D10/38; D10/30

[58] Field of Search D10/30-39, D10/122-126; 368/276-278, 280-282, 285, 80, 82-84, 239-242, 29-30, 223, 230

[56] References Cited

U.S. PATENT DOCUMENTS

D. 245,400	8/1977	Osawa	D10/30
D. 267,548	1/1983	Wada	D10/38
D. 269,767	7/1983	Houlihan et al.	D10/38
D. 269,951	8/1983	Eberhardt et al.	D10/38

D. 271,473 11/1983 Dobashi D10/38

OTHER PUBLICATIONS

European Jeweler-6/83-p. 43-Watches at lower left.

Hong Kong Enterprises-6/81-p. 152-Watches.

Primary Examiner-Nelson C. Holtje

Attorney, Agent, or Firm-William C. Crutcher

[57] CLAIM

The ornamental design for a watch, as shown and described.

DESCRIPTION

FIG. 1 is a top and right front perspective view of a watch showing our new design;

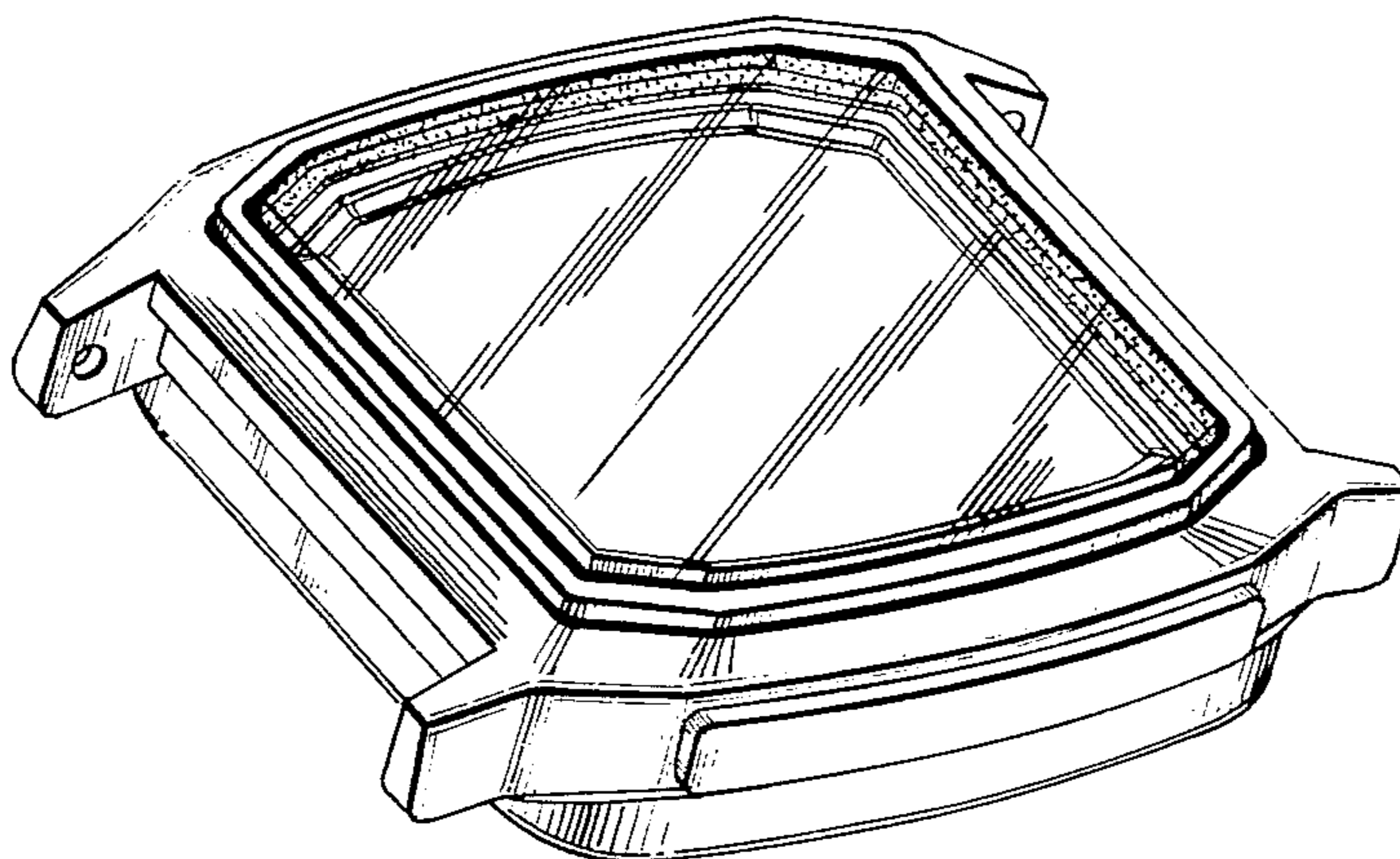
FIG. 2 is a top plan view thereof, the bottom being conventionally plain and unornamented;

FIG. 3 is a left side elevational view thereof;

FIG. 4 is a right side elevational view thereof;

FIG. 5 is a front elevational view thereof, the rear being a mirror image thereof;

FIG. 6 is a cross-sectional view thereof as taken from line 6-6 of FIG. 2.



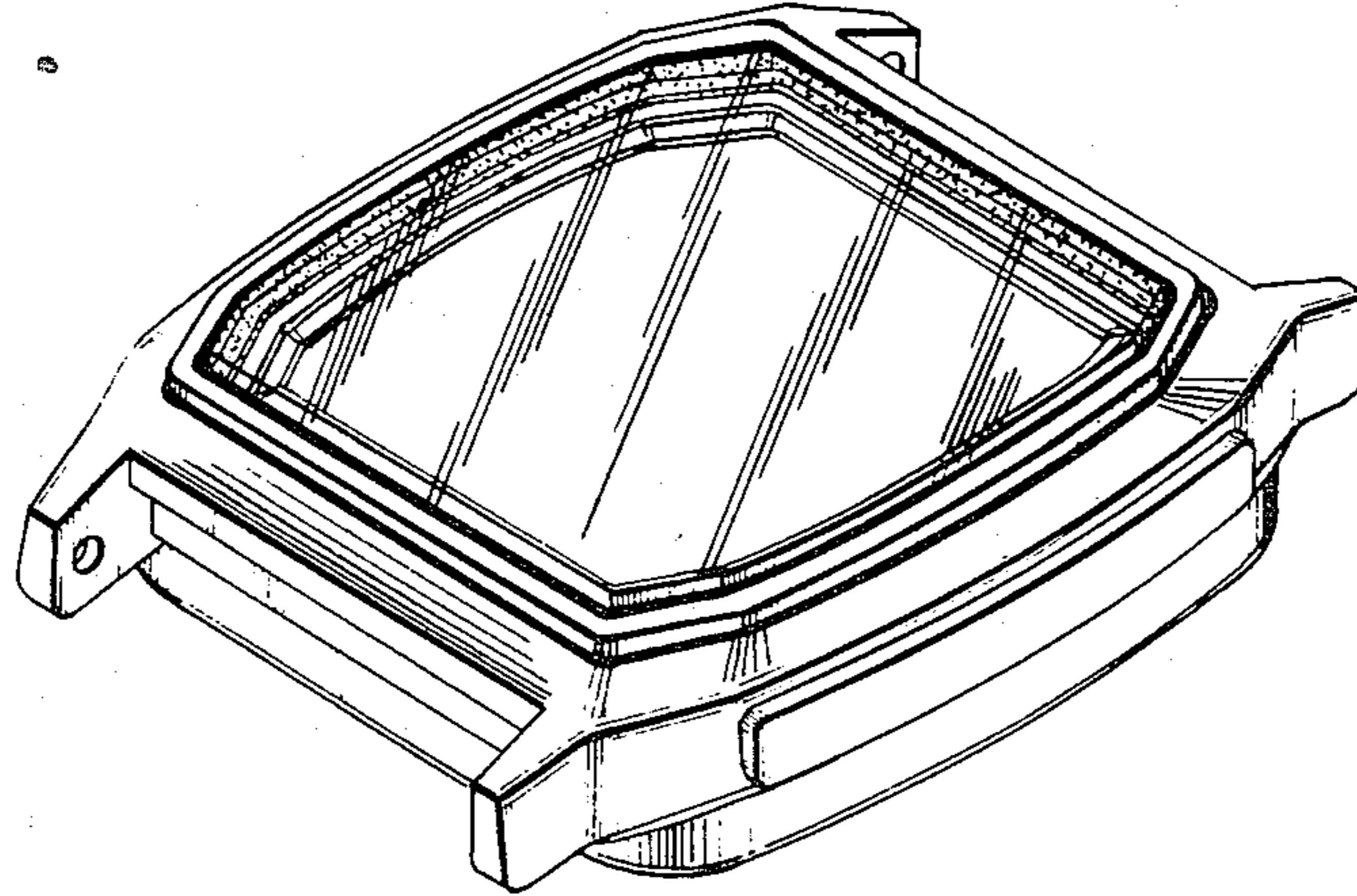


FIG. 1

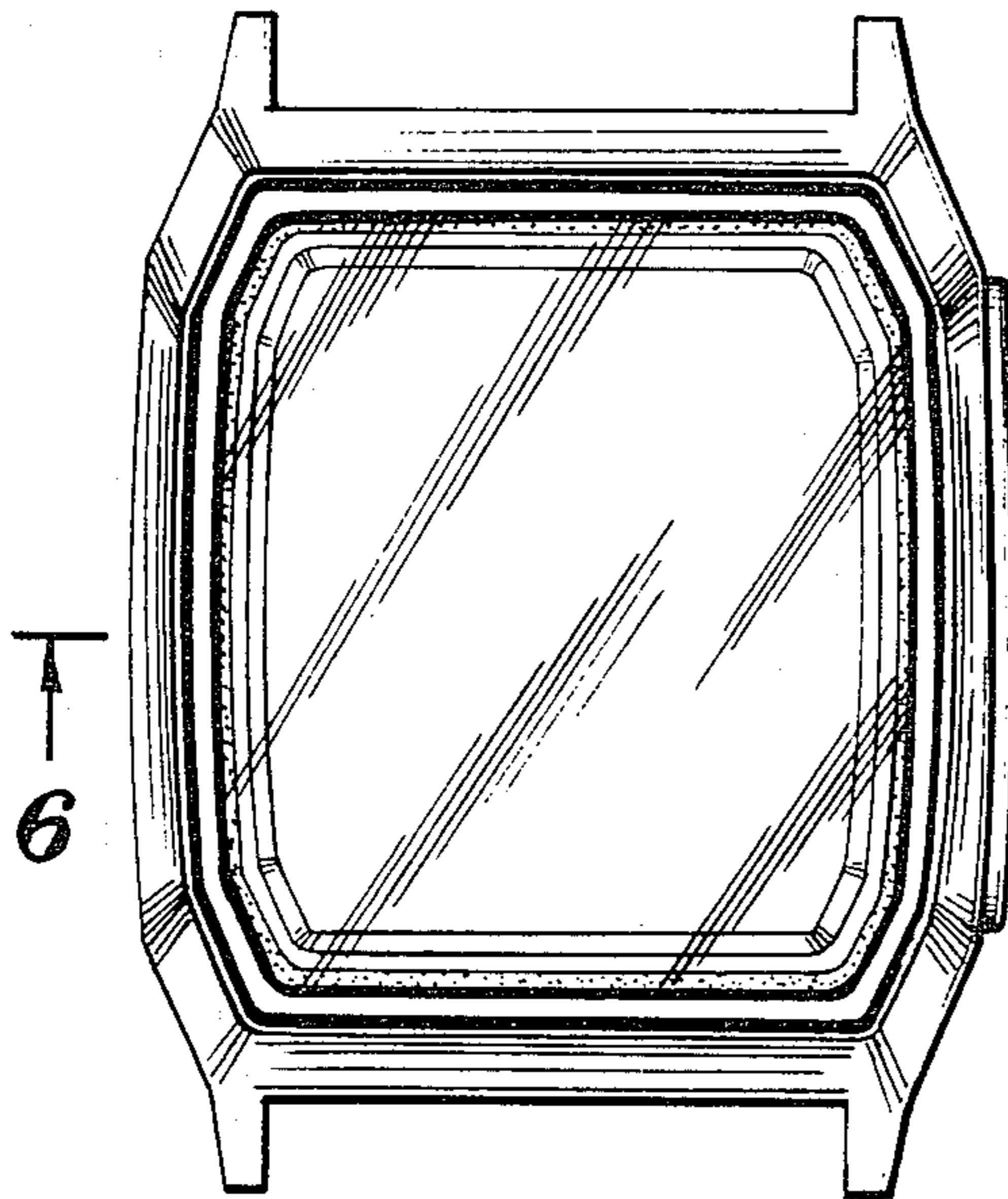


FIG. 2

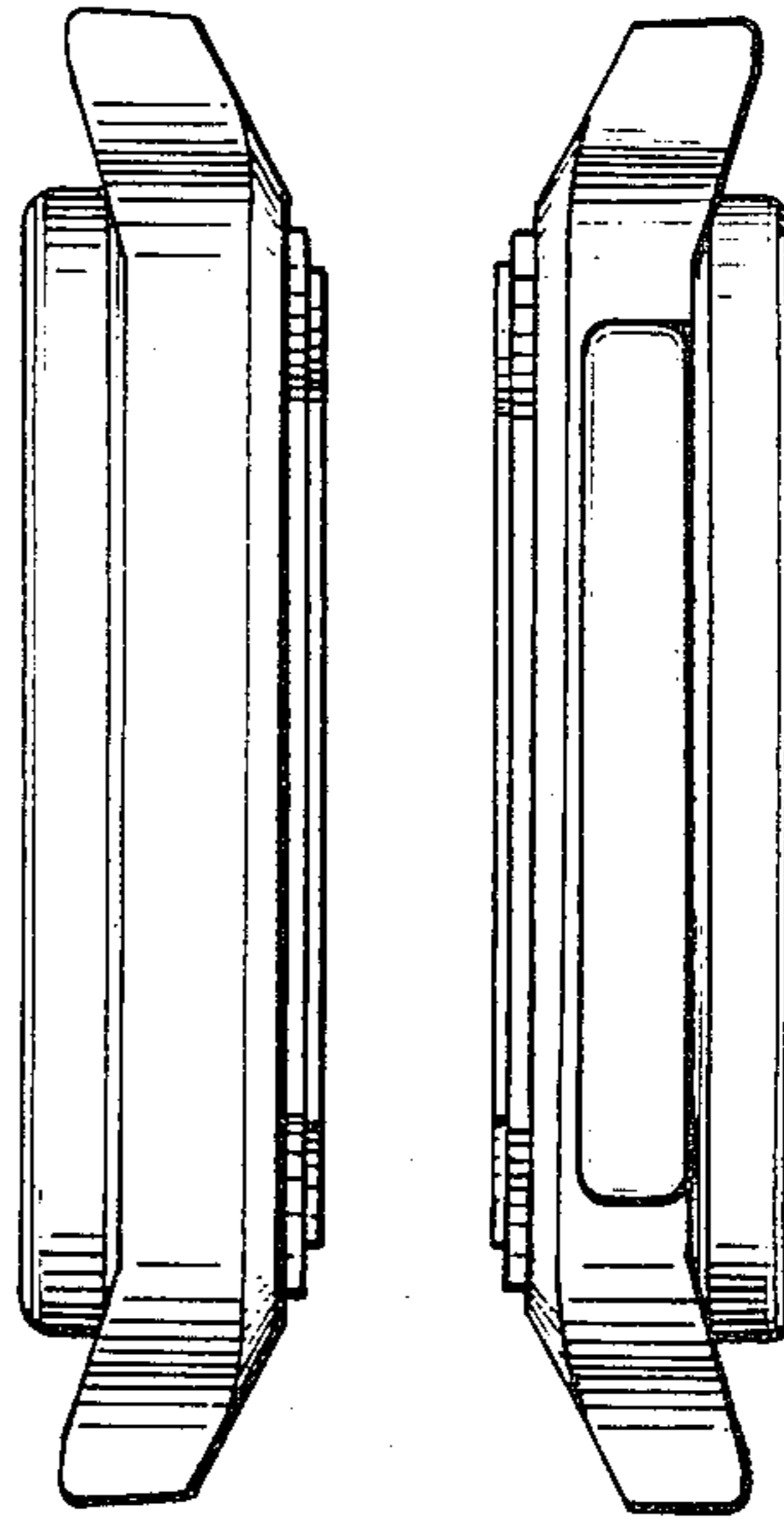


FIG. 3

FIG. 4

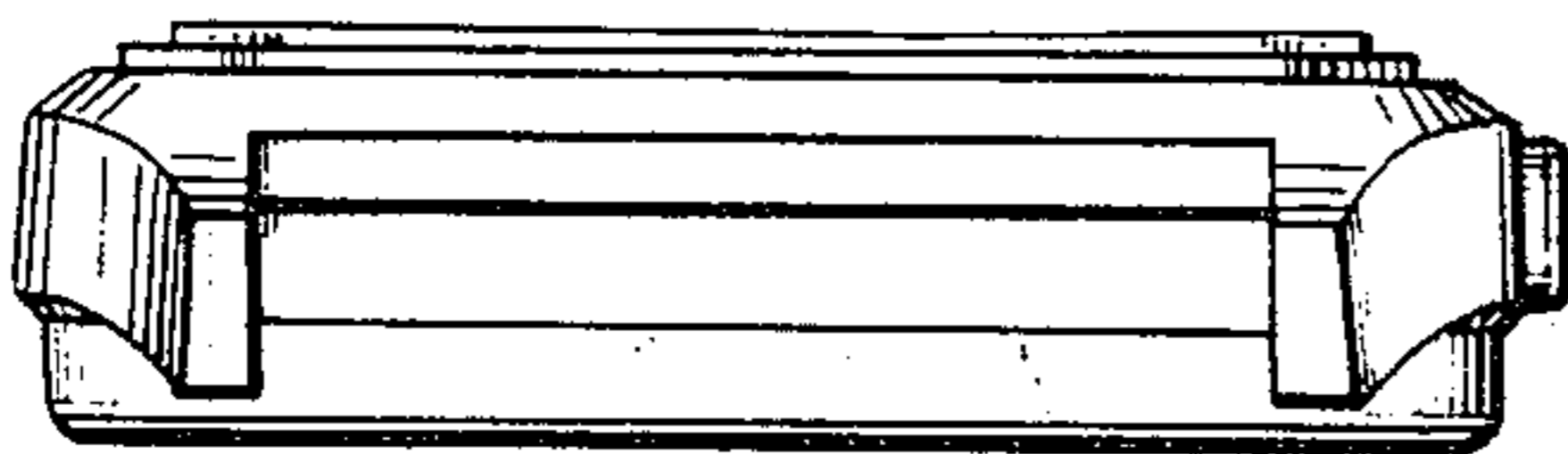


FIG. 5

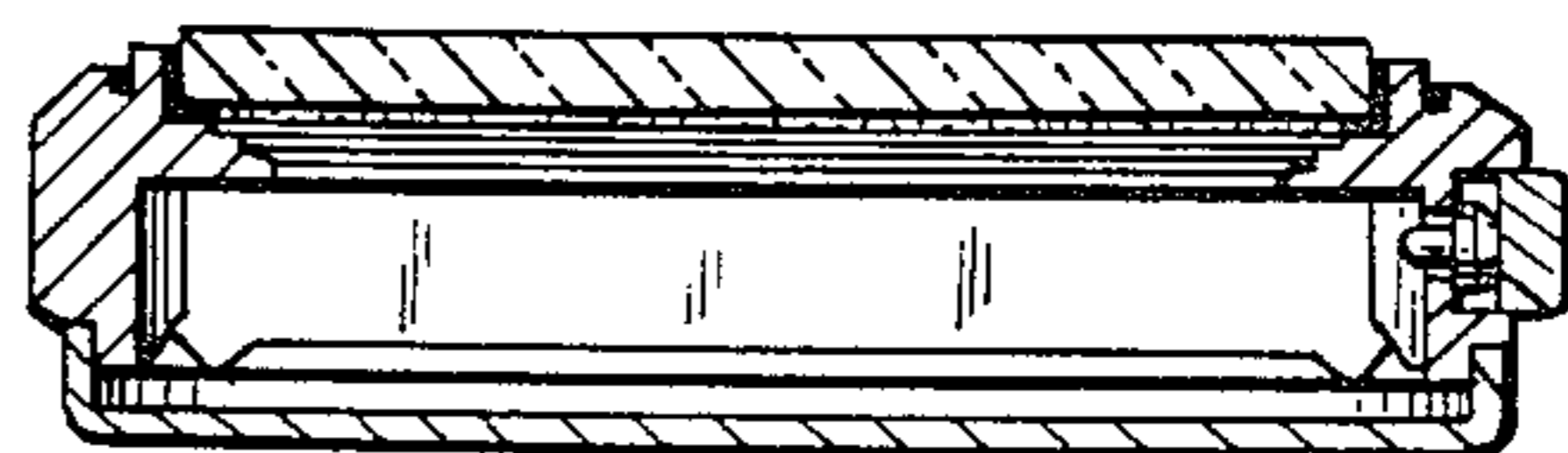


FIG. 6