

[54] NOVELTY CLOCK

[76] Inventor: Victor H. Chatten, 1567 W. 215th St., Torrance, Calif. 90501

[**] Term: 14 Years

[21] Appl. No.: 515,308

[22] Filed: Jul. 19, 1983

[52] U.S. Cl. D10/6; D10/2; D11/157

[58] Field of Search D10/1, 2, 6, 7, 16, D10/19-23; 368/276-278, 285, 280-282; D11/133, 157; D6/232; D14/69

[56] References Cited

U.S. PATENT DOCUMENTS

- D. 219,837 2/1971 Schwitzgebel D14/69
- D. 226,672 4/1973 Blessing D10/6
- D. 262,025 11/1981 Thomas D10/6 X

OTHER PUBLICATIONS

Gift and Decorative Accessories Buyer, 2/1964, p. 32, Sheffield Alarm Clock.

Primary Examiner—Louis S. Zarfaz
Attorney, Agent, or Firm—Lyon & Lyon

[57] CLAIM

The ornamental design for a novelty clock, as shown and described.

DESCRIPTION

FIG. 1 is a top perspective view of a novelty clock showing my new design;

FIG. 2 is a front perspective view thereof;

FIG. 3 is a right side perspective view thereof;

FIG. 4 is a left side perspective view thereof;

FIG. 5 is a rear perspective view thereof; and

FIG. 6 is a bottom perspective view thereof.

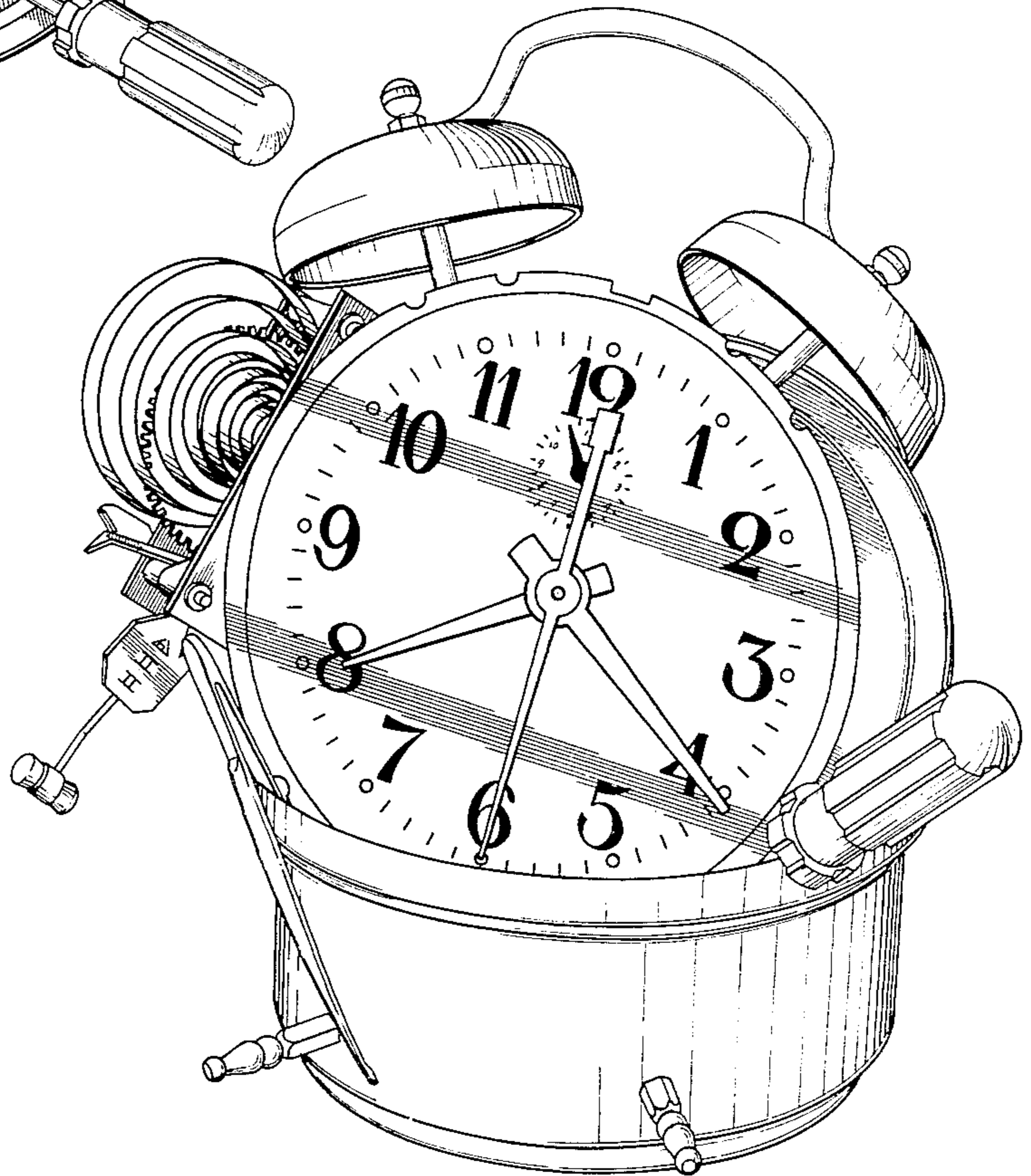
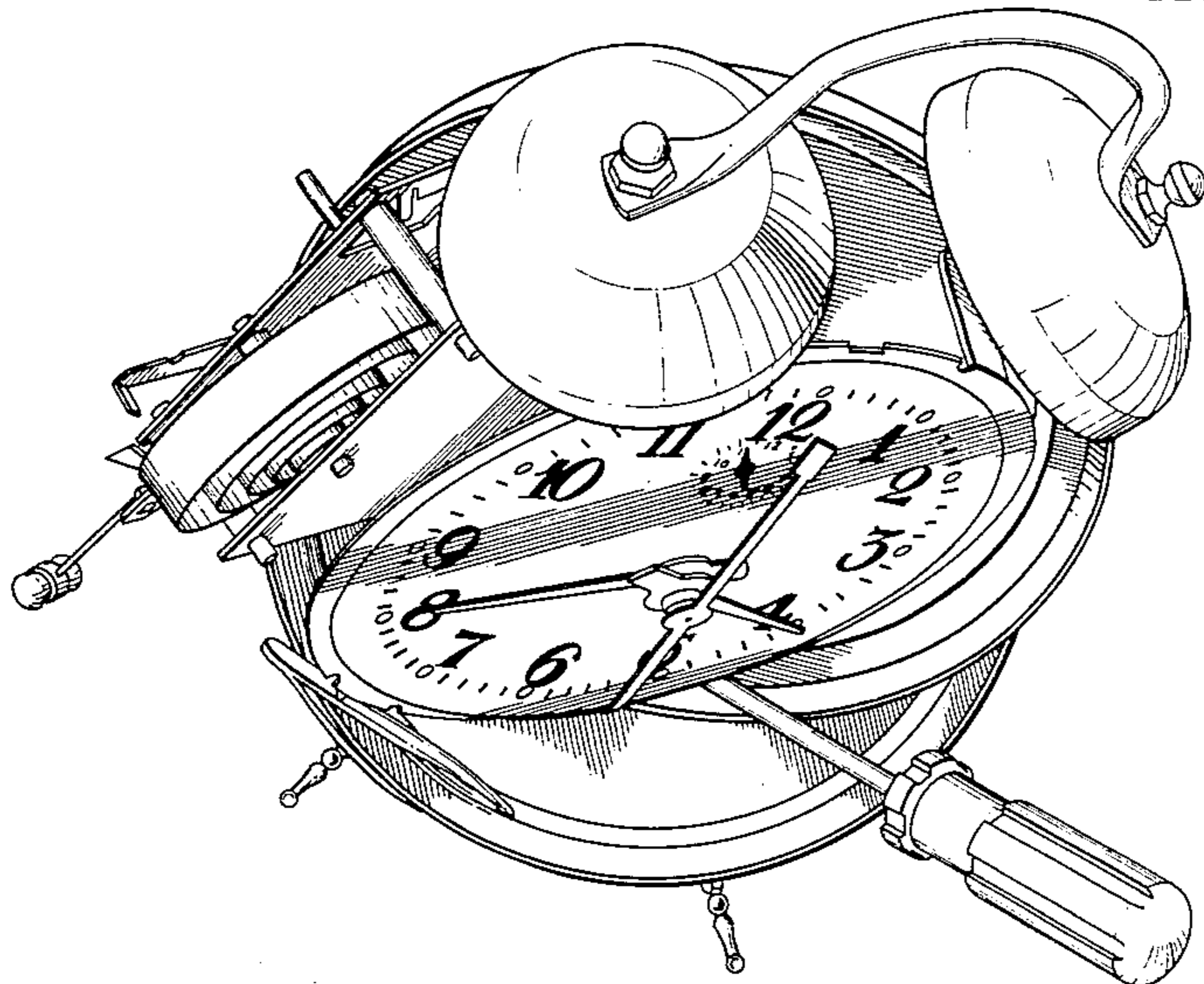


FIG. 1.

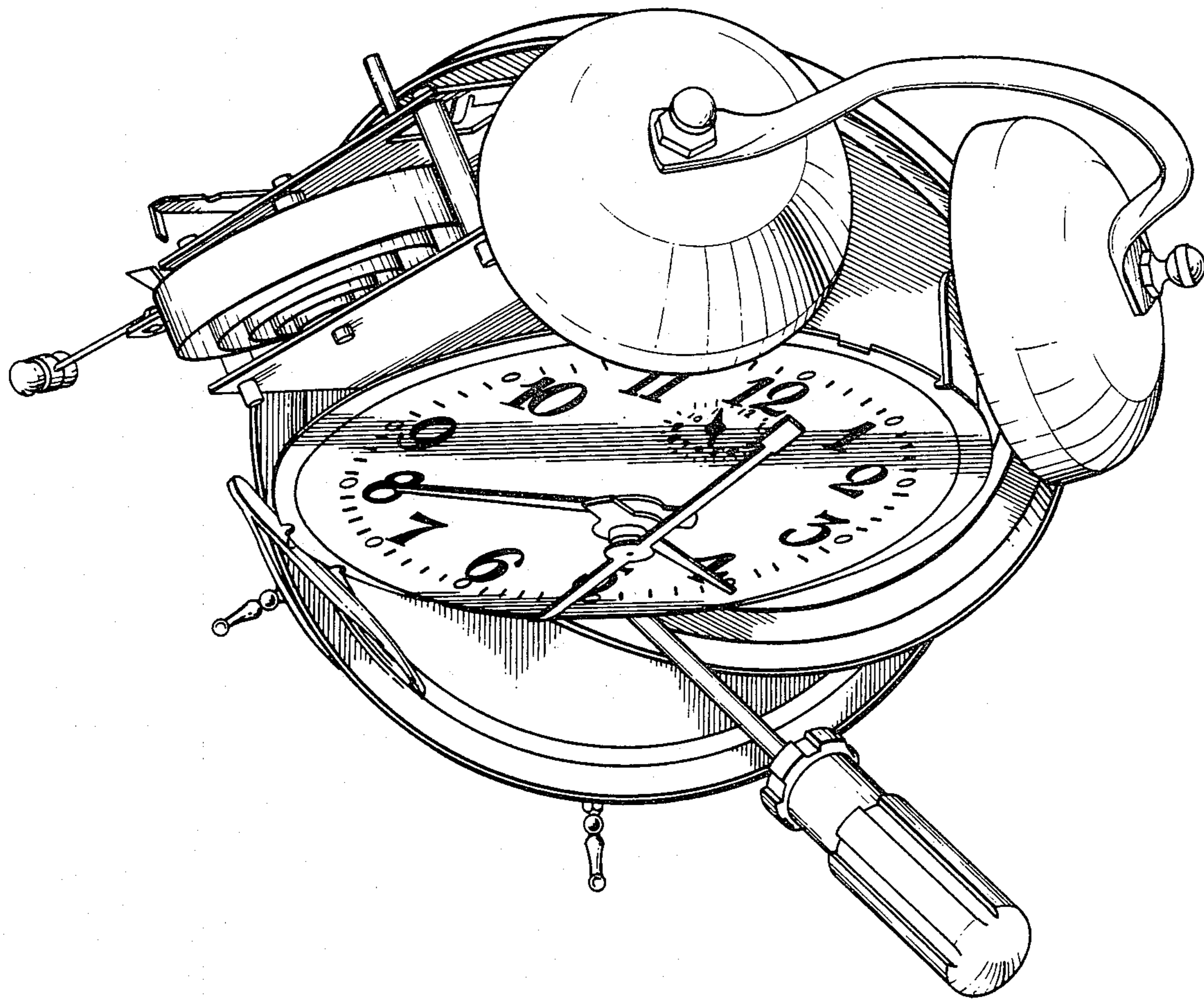


FIG. 2.

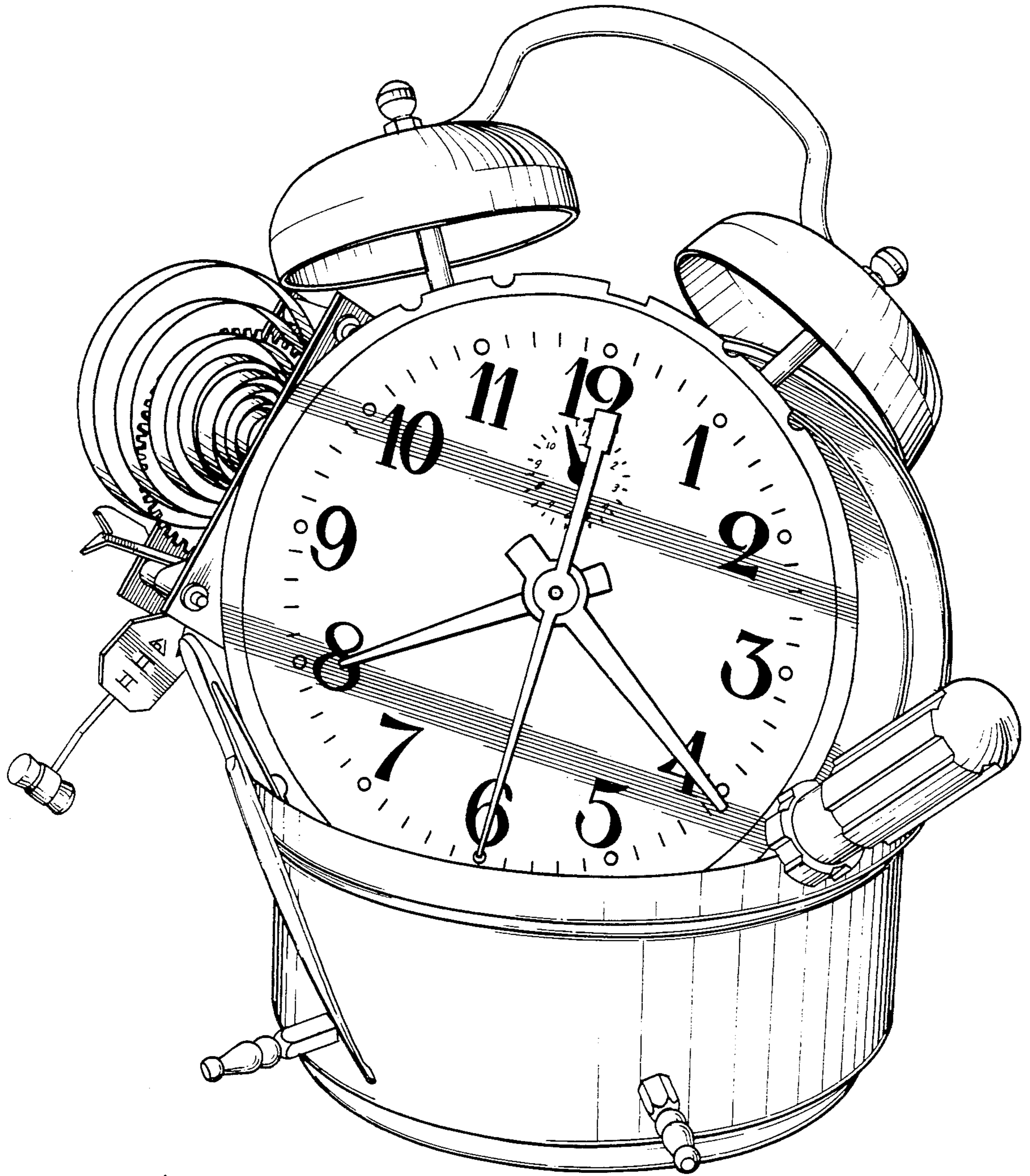
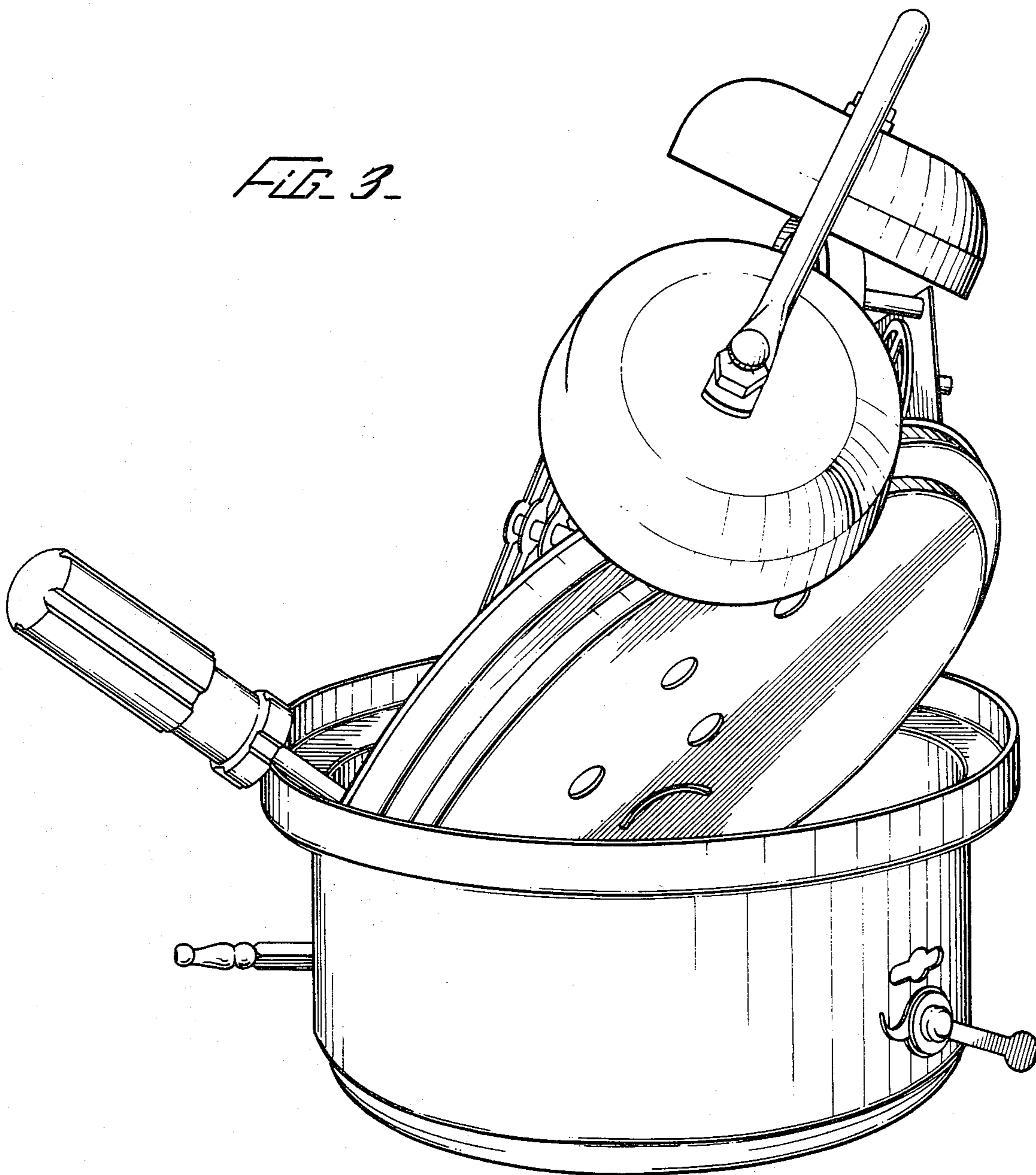


FIG. 3.



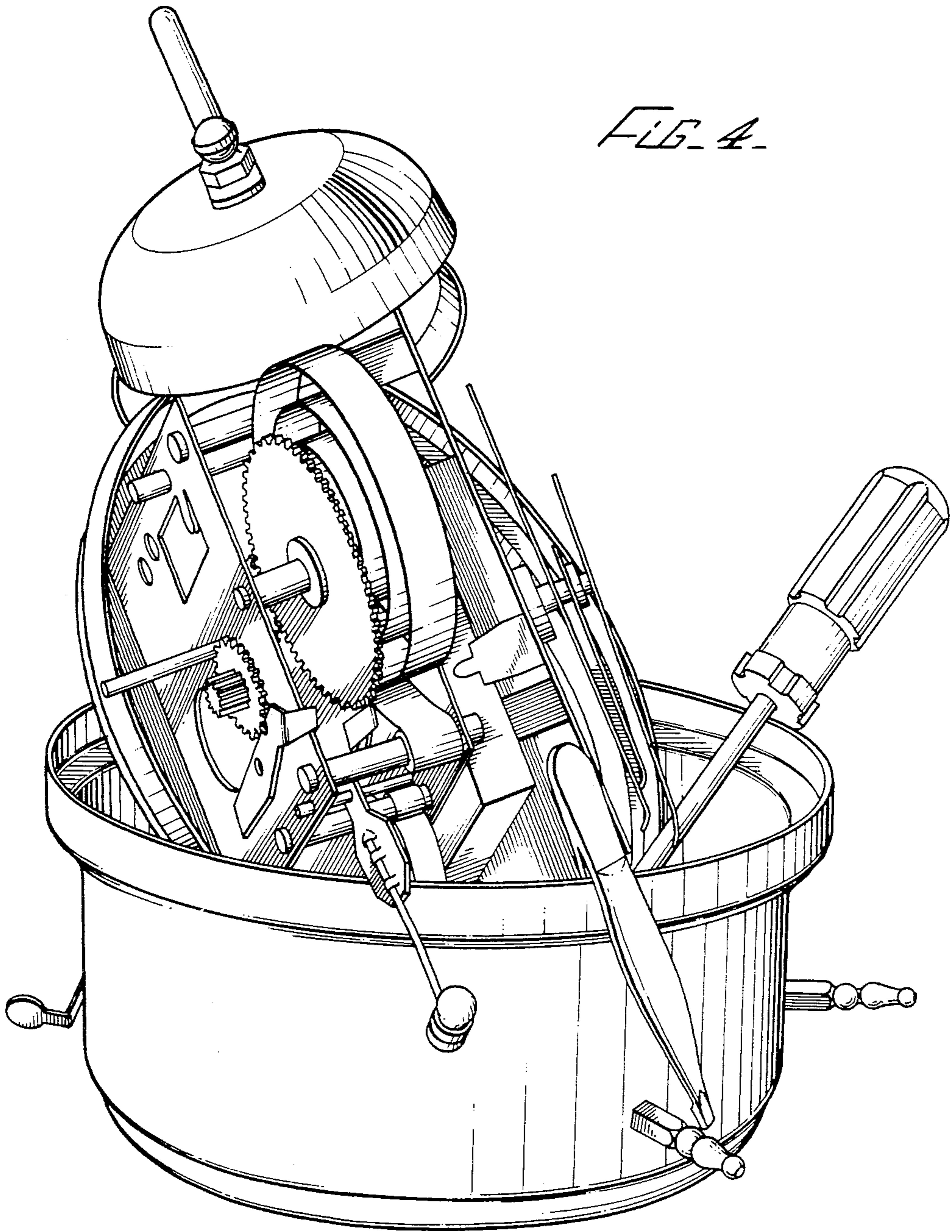


FIG. 5.

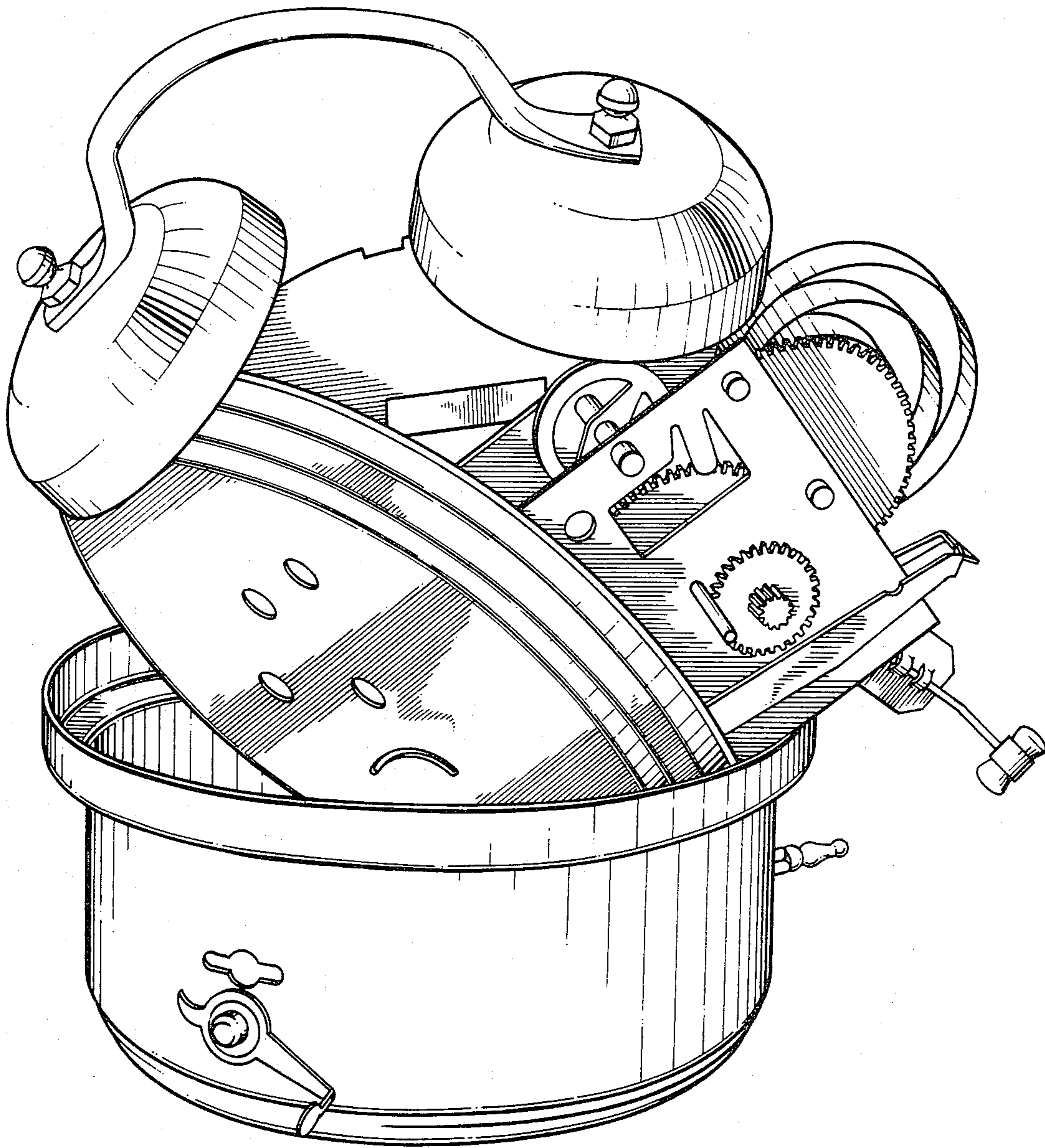


FIG. 6.

