

[54] **STORAGE CASE FOR TAPE CARTRIDGES**

4,117,931 10/1978 Berkman 211/40 X

[76] **Inventor: Joseph E. Stanton, 2457 Valley View, Troy, Mich. 48084**

[**] **Term: 14 Years**

[21] **Appl. No.: 442,339**

[22] **Filed: Nov. 17, 1982**

[52] **U.S. Cl. D6/407; D3/35; D6/470**

[58] **Field of Search D6/167, 168, 172, 181, D6/186, 188, 189, 396, 449, 470, 407; D3/35; 211/40, 41; 312/9, 10, 11, 12; 206/387**

[56] **References Cited**

U.S. PATENT DOCUMENTS

D. 230,779	3/1974	Kryter	D3/35
D. 239,664	4/1976	Savoy	D3/35
D. 249,823	10/1978	Berkman	D3/35
D. 260,457	9/1981	Rumble	D6/407 X
900,714	10/1908	Eberhart	312/10
3,146,041	8/1964	Lambert	312/10
4,040,518	8/1977	Carter	206/387

OTHER PUBLICATIONS

Evans 979-80 Catalog p. 259; *Cassette Storage Library* Item #3 second from top, far left.

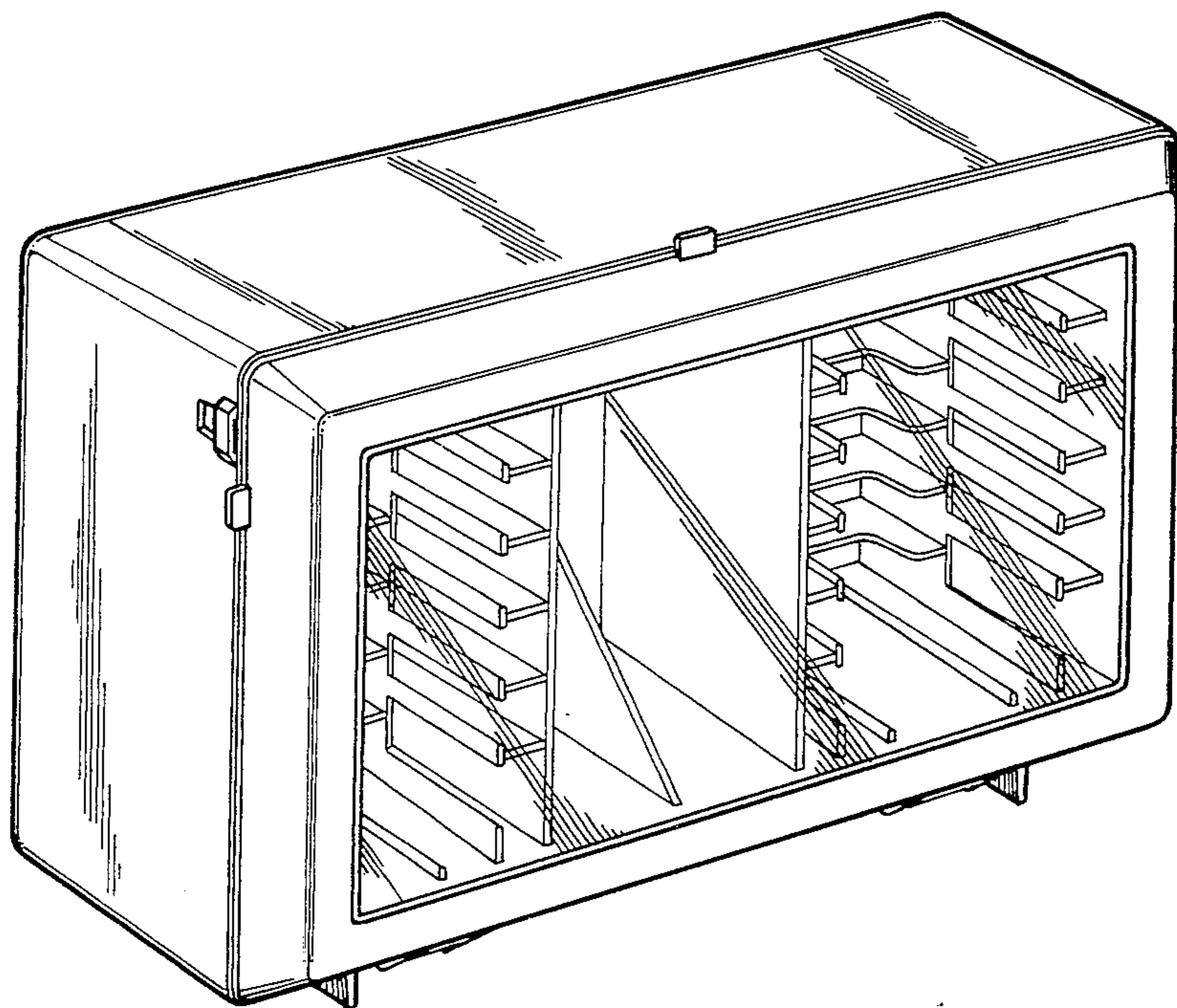
Primary Examiner—Carmen H. Vales
Attorney, Agent, or Firm—Reising, Ethington, Barnard, Perry & Milton

[57] **CLAIM**

The ornamental design for a storage case for tape cartridges, as shown and described.

DESCRIPTION

FIG. 1 is a front perspective view of a storage case for tape cartridges showing my new design; FIG. 2 is a top plan view thereof; FIG. 3 is a front elevational view thereof; FIG. 4 is a bottom plan view thereof; FIG. 5 is a right side elevational view thereof; FIG. 6 is a left side elevational view thereof; FIG. 7 is a rear elevational view thereof; and FIG. 8 is a front elevational view with the lid in open position for convenience of illustration.



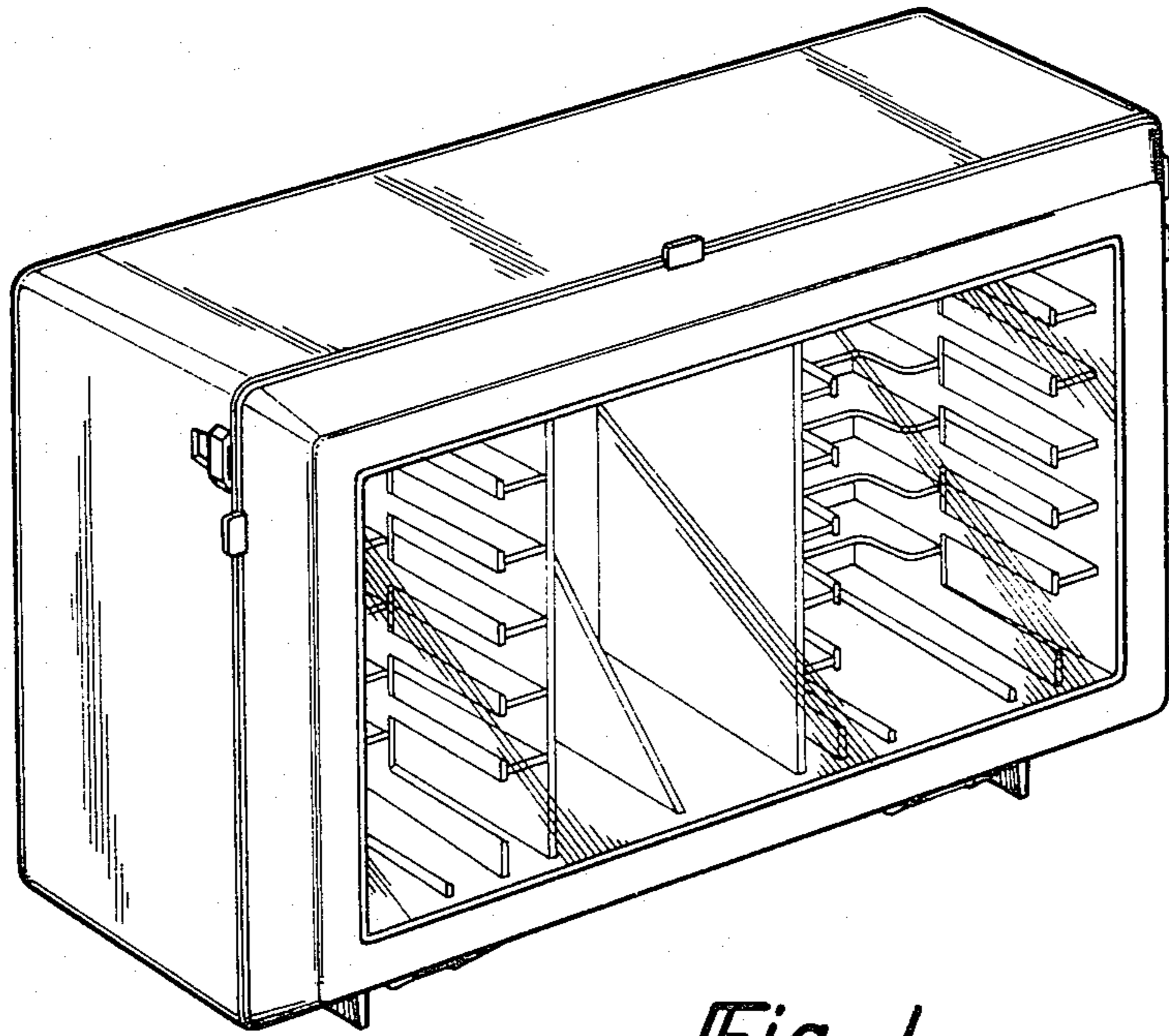


Fig - 1

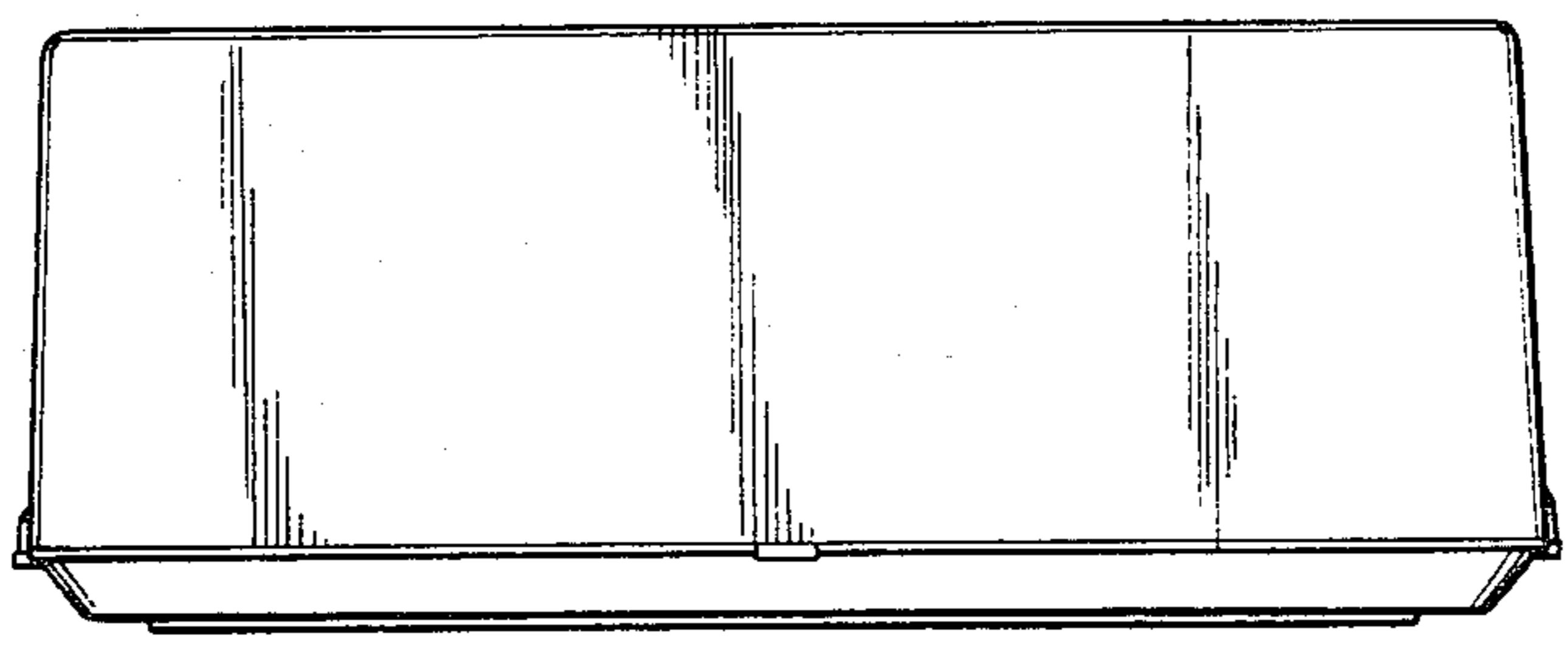


Fig - 2

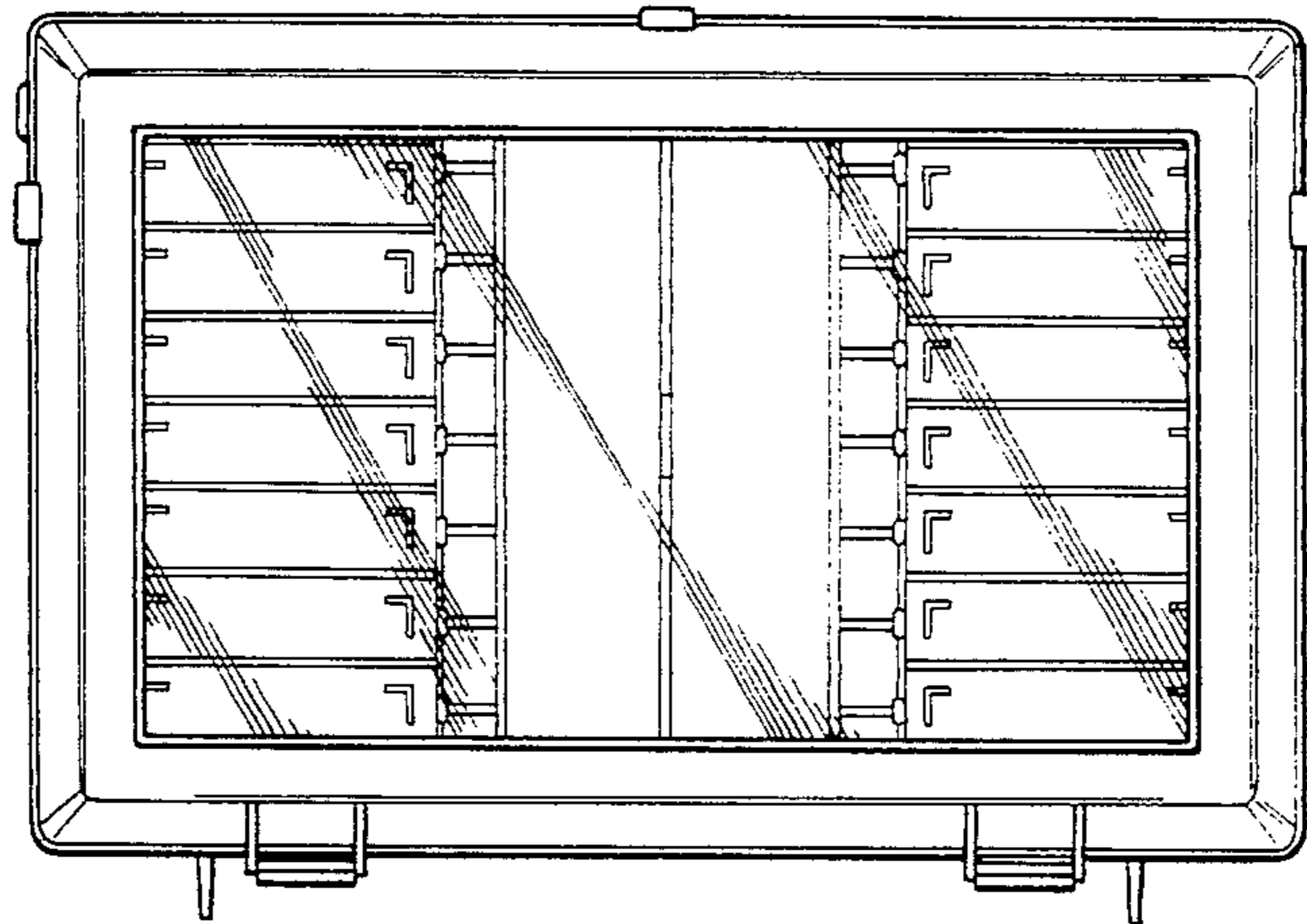


Fig-3

Fig-4

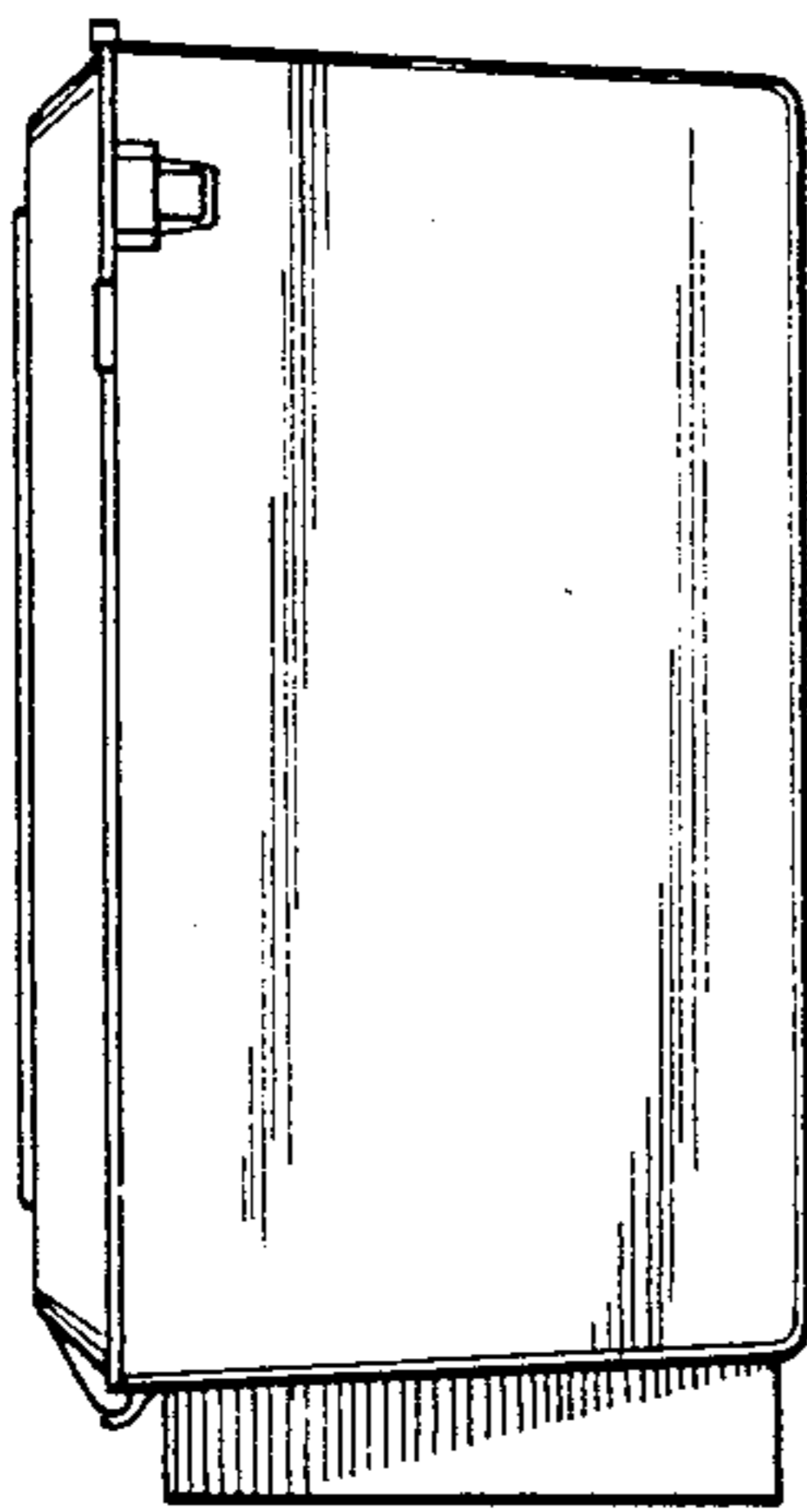
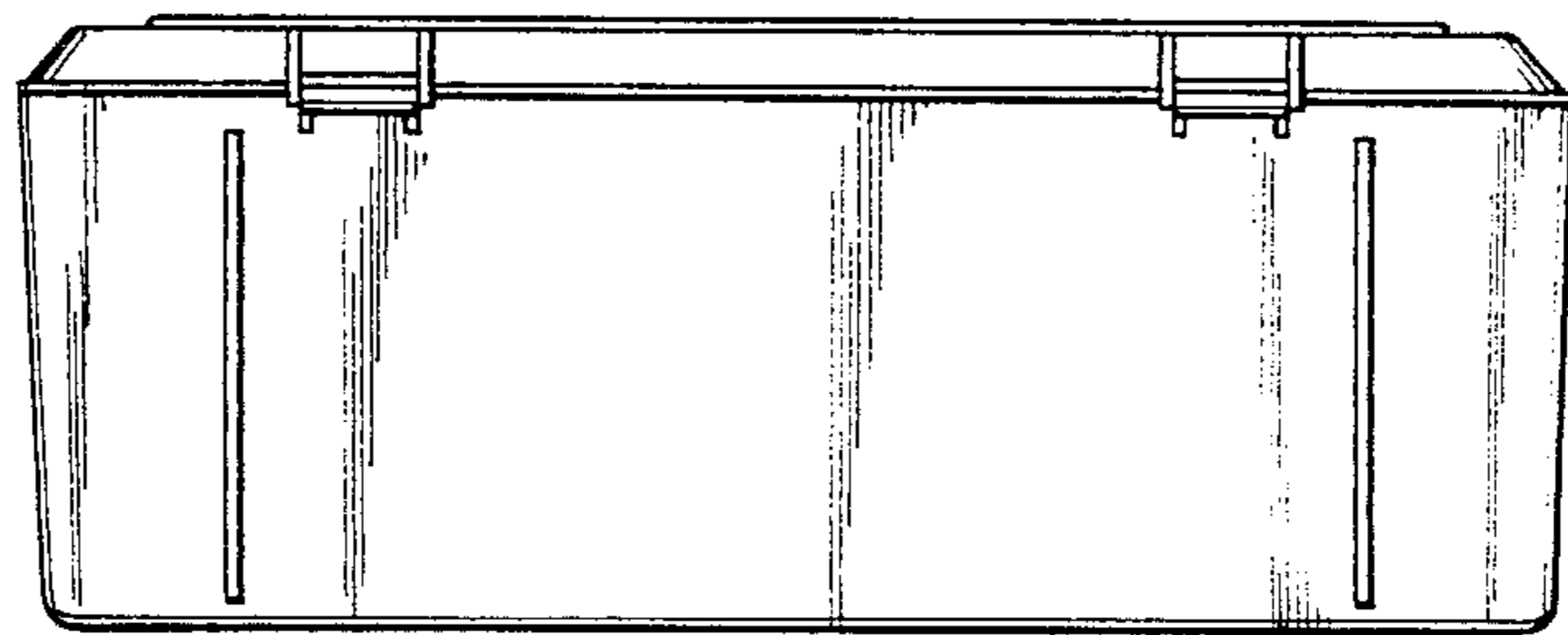


Fig-5

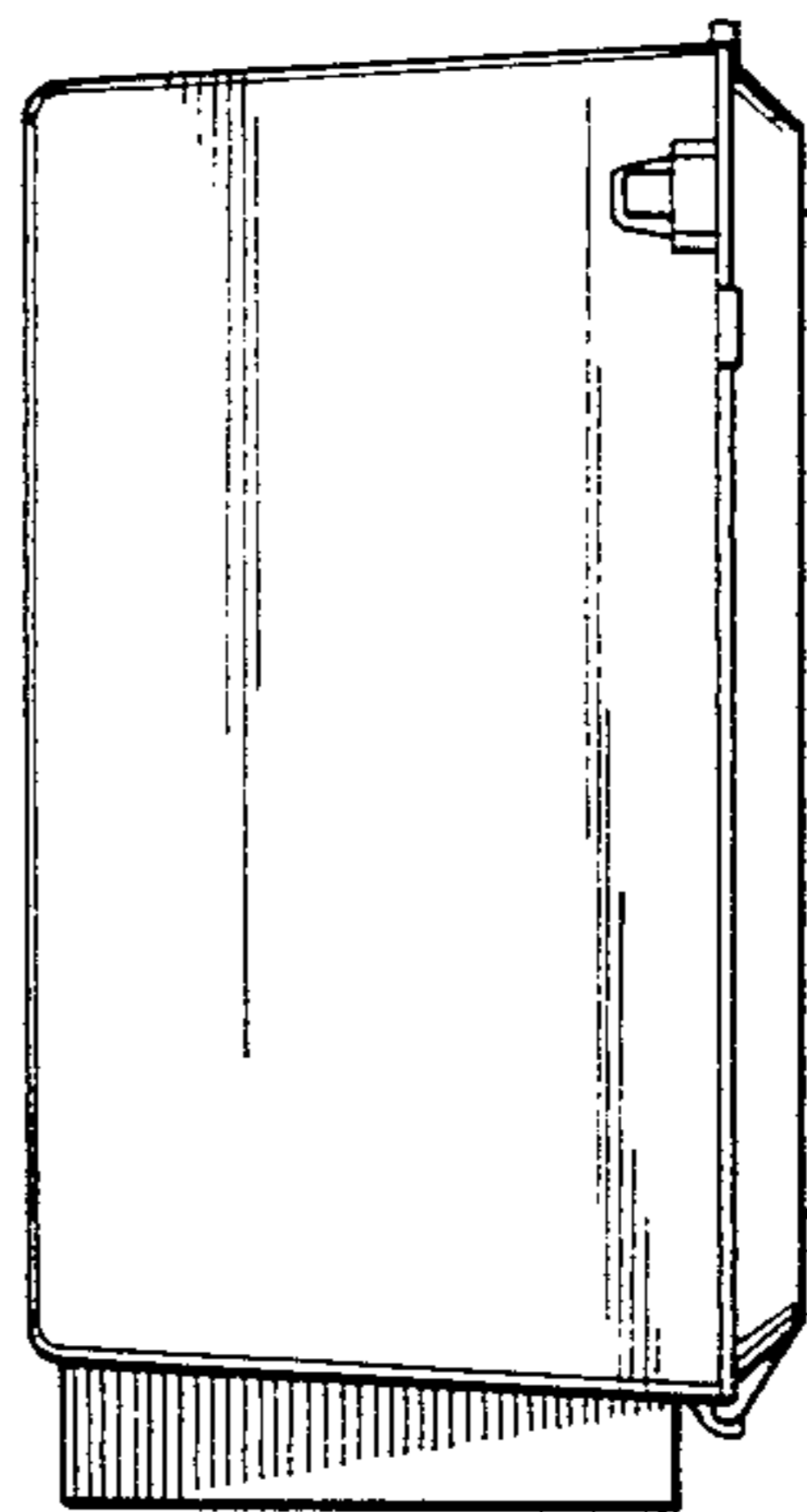


Fig-6

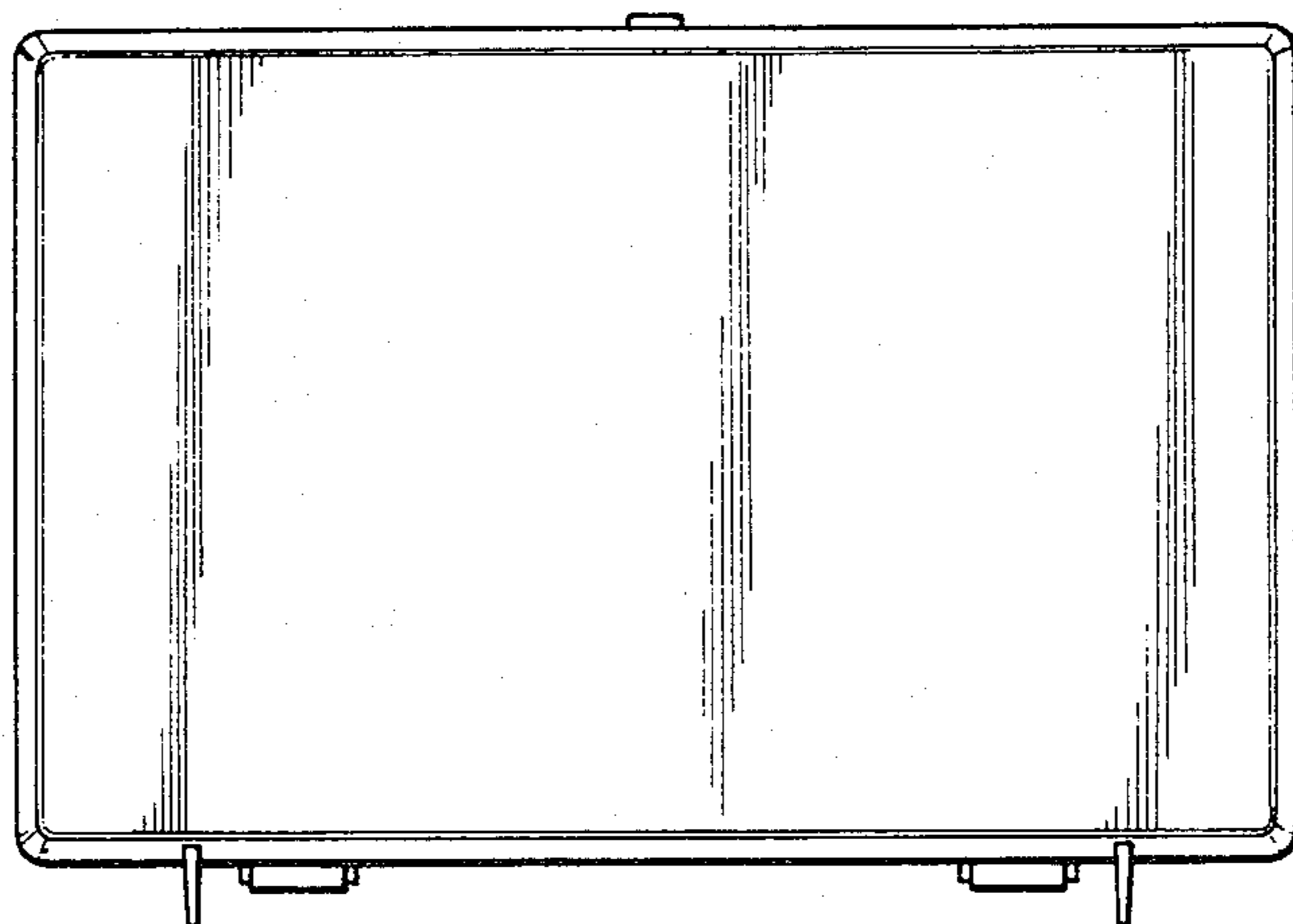


Fig-7

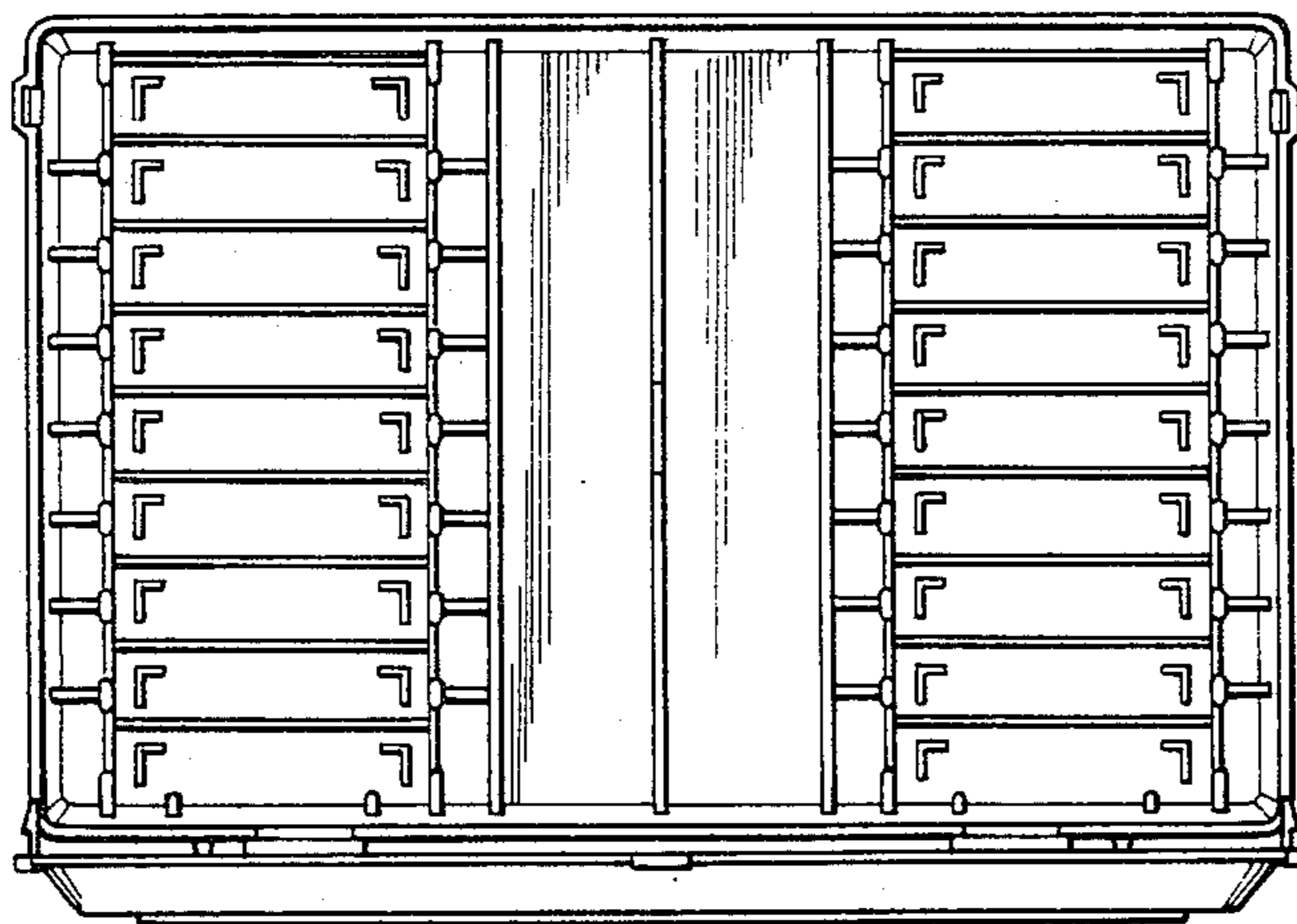


Fig-8