

[54] LITERATURE HOLDER

[75] Inventor: Douglas B. Leeds, New York, N.Y.

[73] Assignee: Thomson-Leeds Company, Inc., New York, N.Y.

[\*\*] Term: 14 Years

[21] Appl. No.: 409,571

[22] Filed: Aug. 19, 1982

[52] U.S. Cl. .... D6/419; D6/314; D19/91

[58] Field of Search ..... D6/85, 180, 181, 172, D6/173, 175, 235, 184, ; D10/1, 2, 3, 15; 211/13; 248/444, 1, 460; D19/91

[56] References Cited

U.S. PATENT DOCUMENTS

- D. 141,059 5/1945 Siegel ..... D6/235
- D. 146,978 6/1947 Mack, Jr. .... D19/91 X
- D. 228,998 11/1973 Rozman ..... D6/184

- D. 258,811 4/1981 You ..... D10/3
- D. 272,547 2/1984 Gordon ..... D19/91
- D. 274,703 7/1984 Vogel ..... D10/15
- 2,434,860 1/1948 Oxley ..... D6/180 X
- 4,199,883 4/1980 Cross ..... D19/91 X

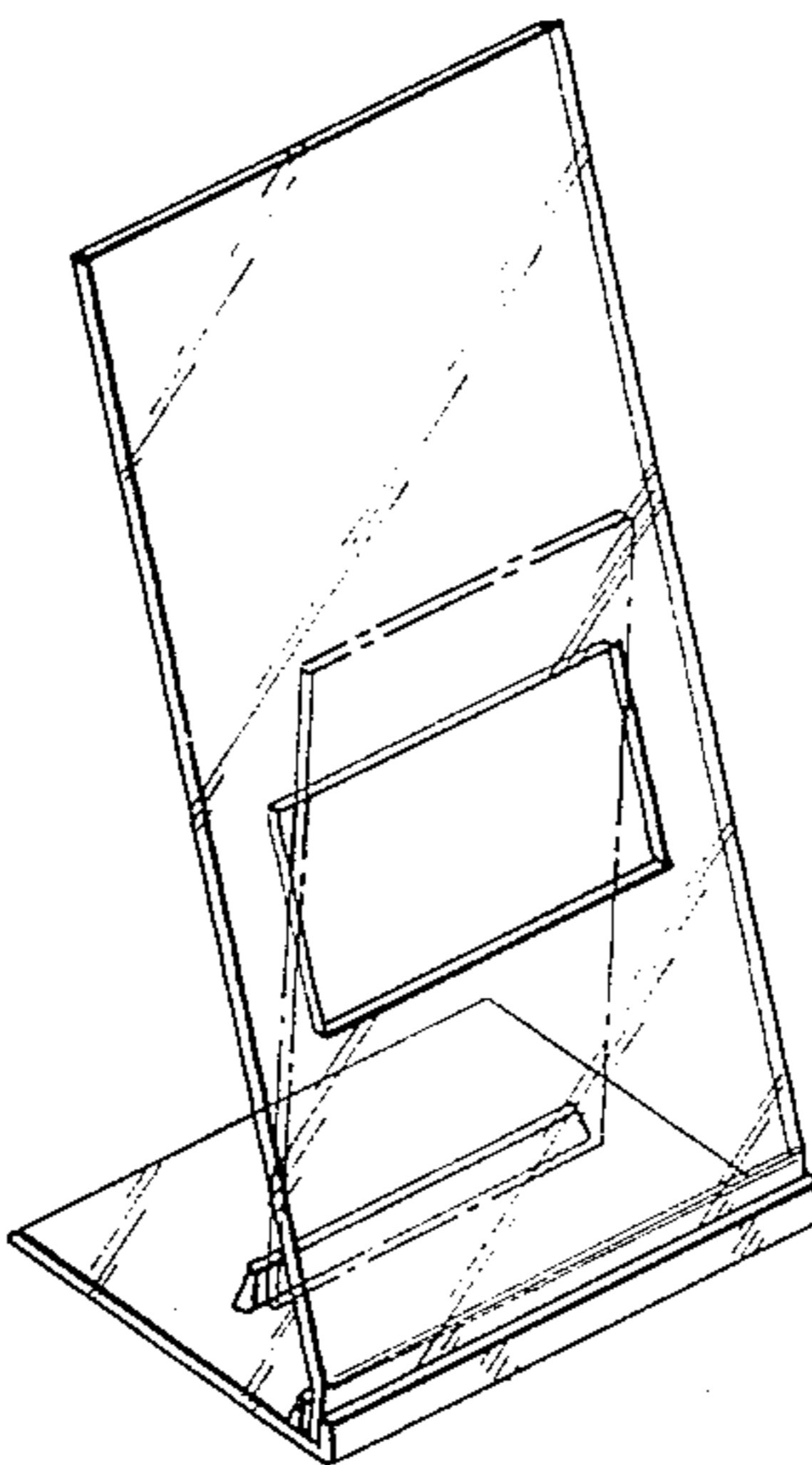
Primary Examiner—Carmen H. Vales  
Attorney, Agent, or Firm—Howard C. Miskin

[57] CLAIM

The ornamental design for a literature holder, as shown and described.

DESCRIPTION

FIG. 1 is a perspective view of a literature holder showing my new design;  
 FIG. 2 is a front elevational view thereof;  
 FIG. 3 is a side elevational view thereof;  
 FIG. 4 is a rear elevational view thereof;  
 FIG. 5 is a top plan view thereof;  
 FIG. 6 is bottom plan view thereof.  
 The broken line showing of a literature holder in FIGS. 1, 2, 3 and 4 is for illustrative purposes only.



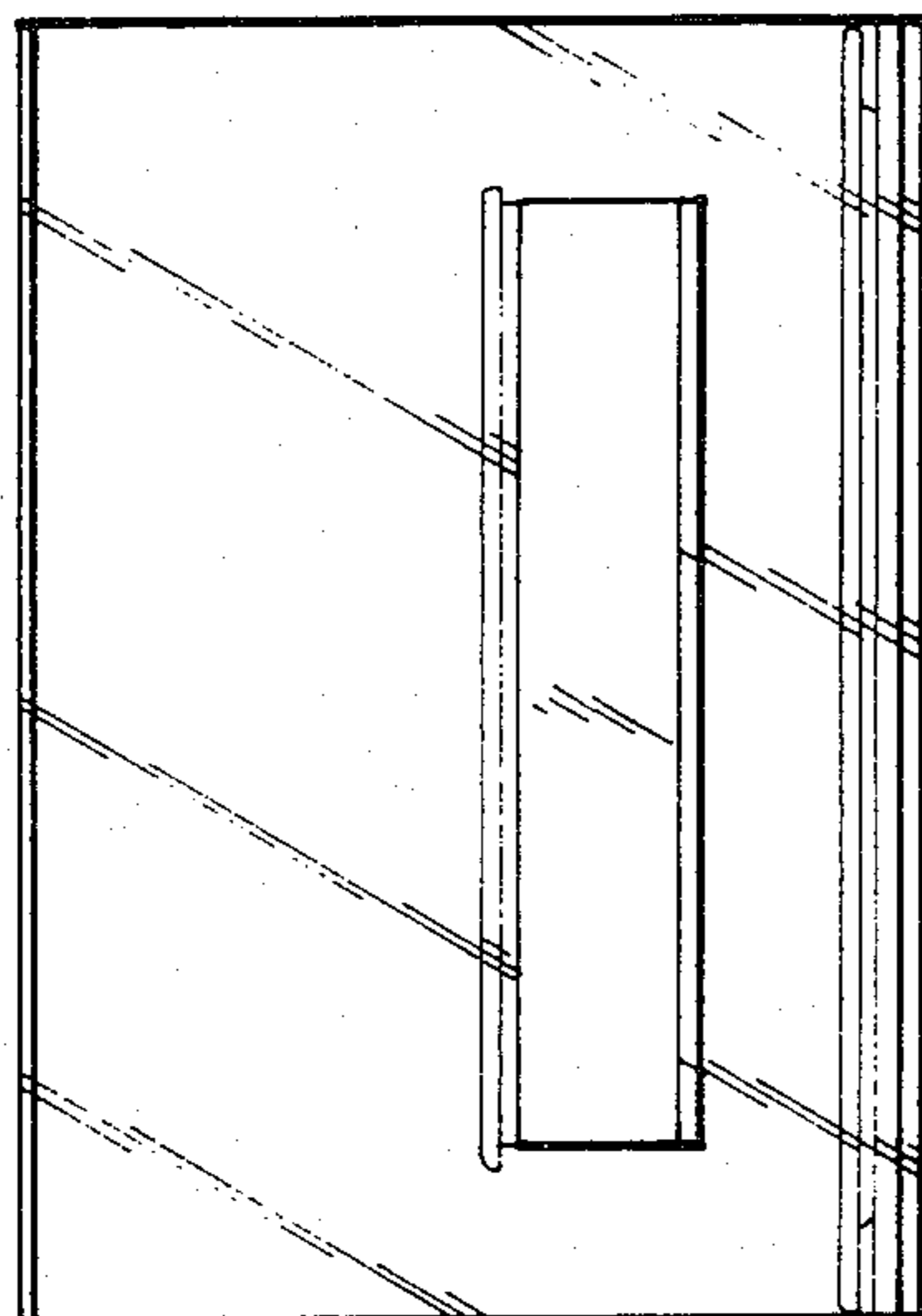


FIG. 5

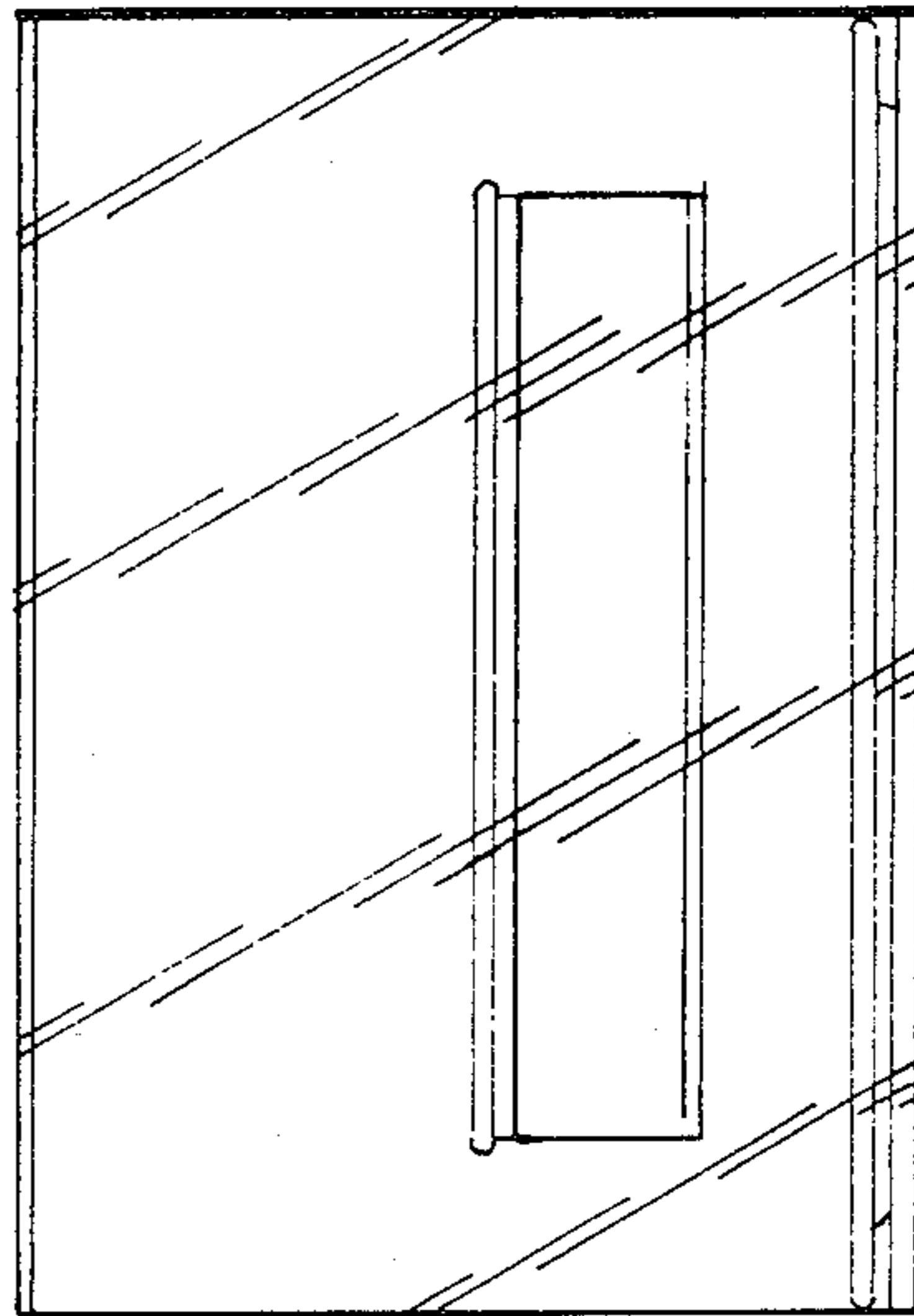


FIG. 6

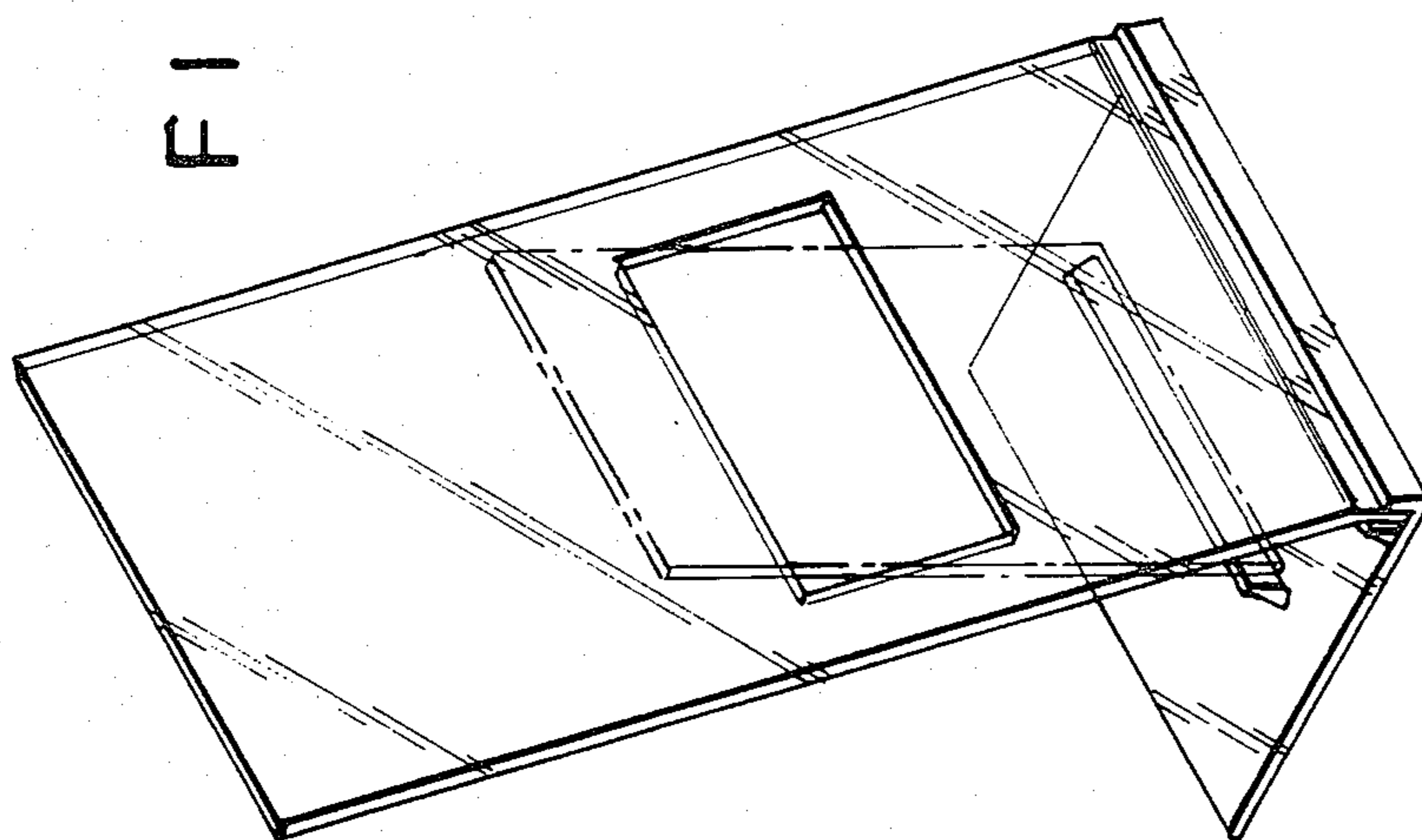


FIG. 1

