

[54] PACKING INSERT FOR A SUITCASE

[76] Inventor: Lois Velkas, 5415 Elysian Fields Ave., New Orleans, La. 70112

[**] Term: 14 Years

[21] Appl. No.: 291,810

[22] Filed: Jun. 8, 1983

[52] U.S. Cl. D3/99; D3/79

[58] Field of Search D3/30.1, 71, 74, 76, D3/77, 99; 190/49, 41 R, 41 B, 41 C

[56] References Cited

U.S. PATENT DOCUMENTS

- 3,570,570 3/1971 Winner 190/41 C
- 3,967,708 7/1976 Gregg et al. 190/49

4,273,223 6/1981 Tomlison 190/41 C

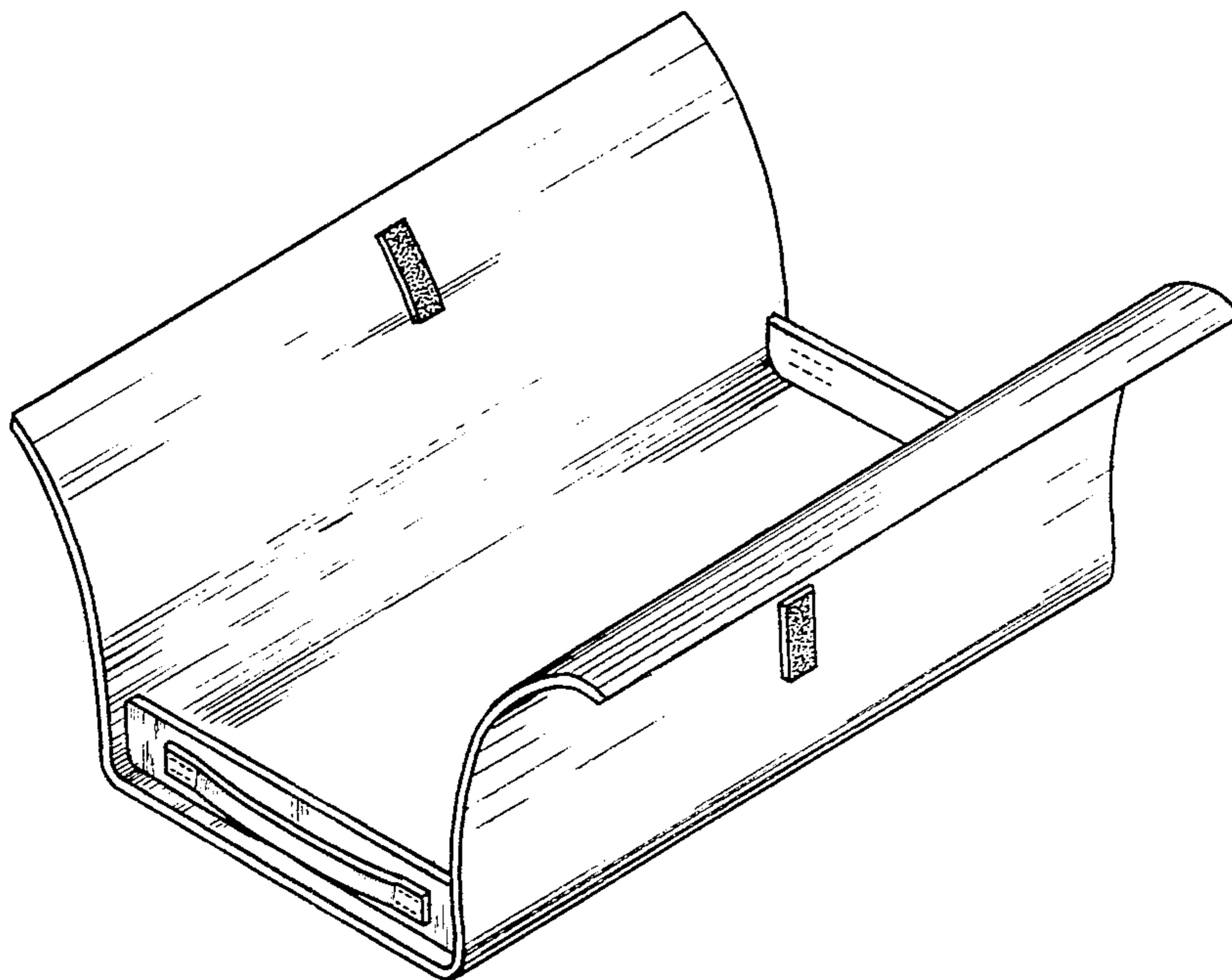
Primary Examiner—George P. Word
Attorney, Agent, or Firm—Keaty & Keaty

[57] CLAIM

The ornamental design for a packing insert for a suitcase, as shown and described.

DESCRIPTION

FIG. 1 is a perspective view of a packing insert for a suitcase showing my new design; FIG. 2 is a perspective view thereof in the folded condition; and FIG. 3 is a left side elevational view, the right side elevational view being a mirror image thereof and the bottom surface is plain and unornamented.



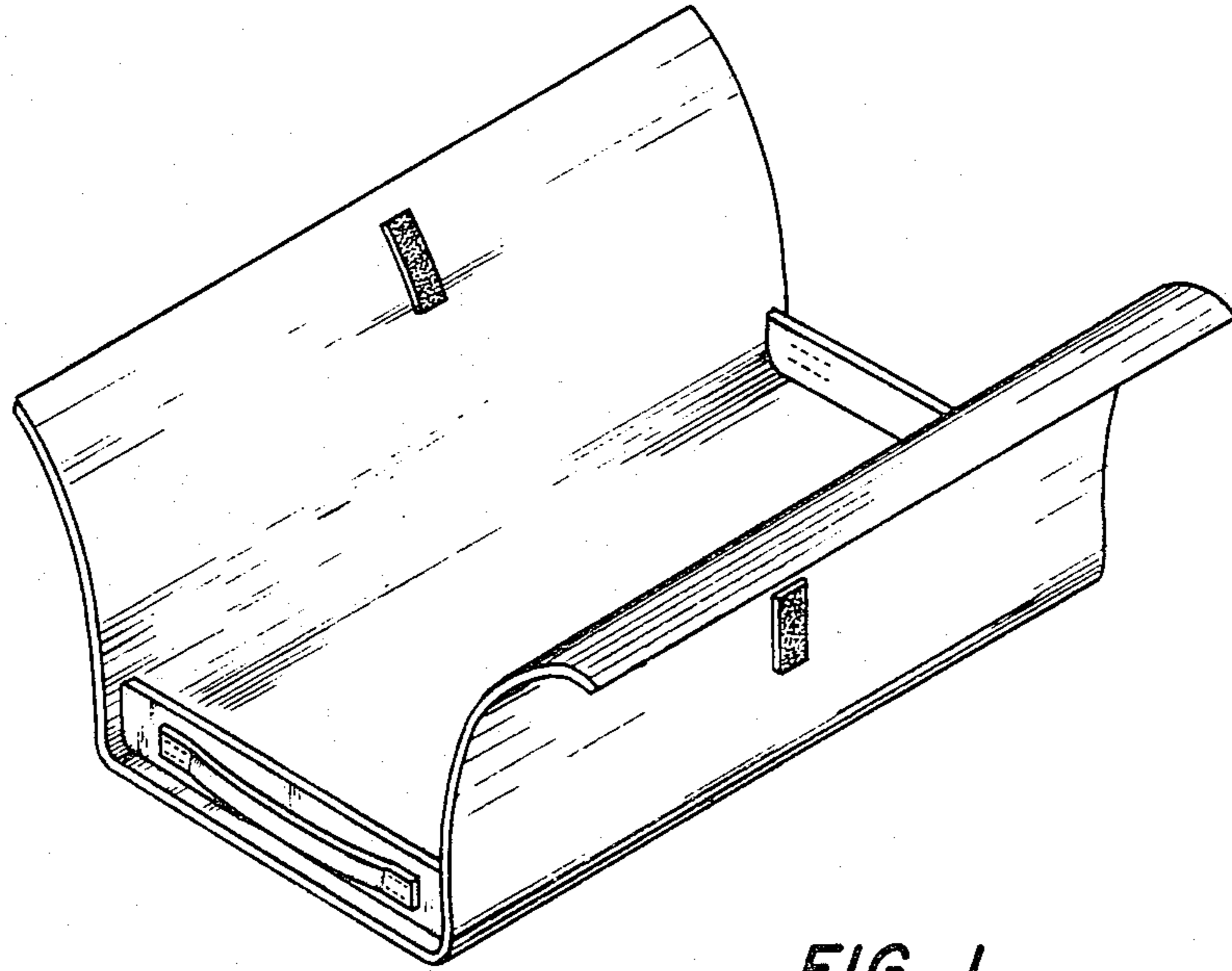


FIG. 1

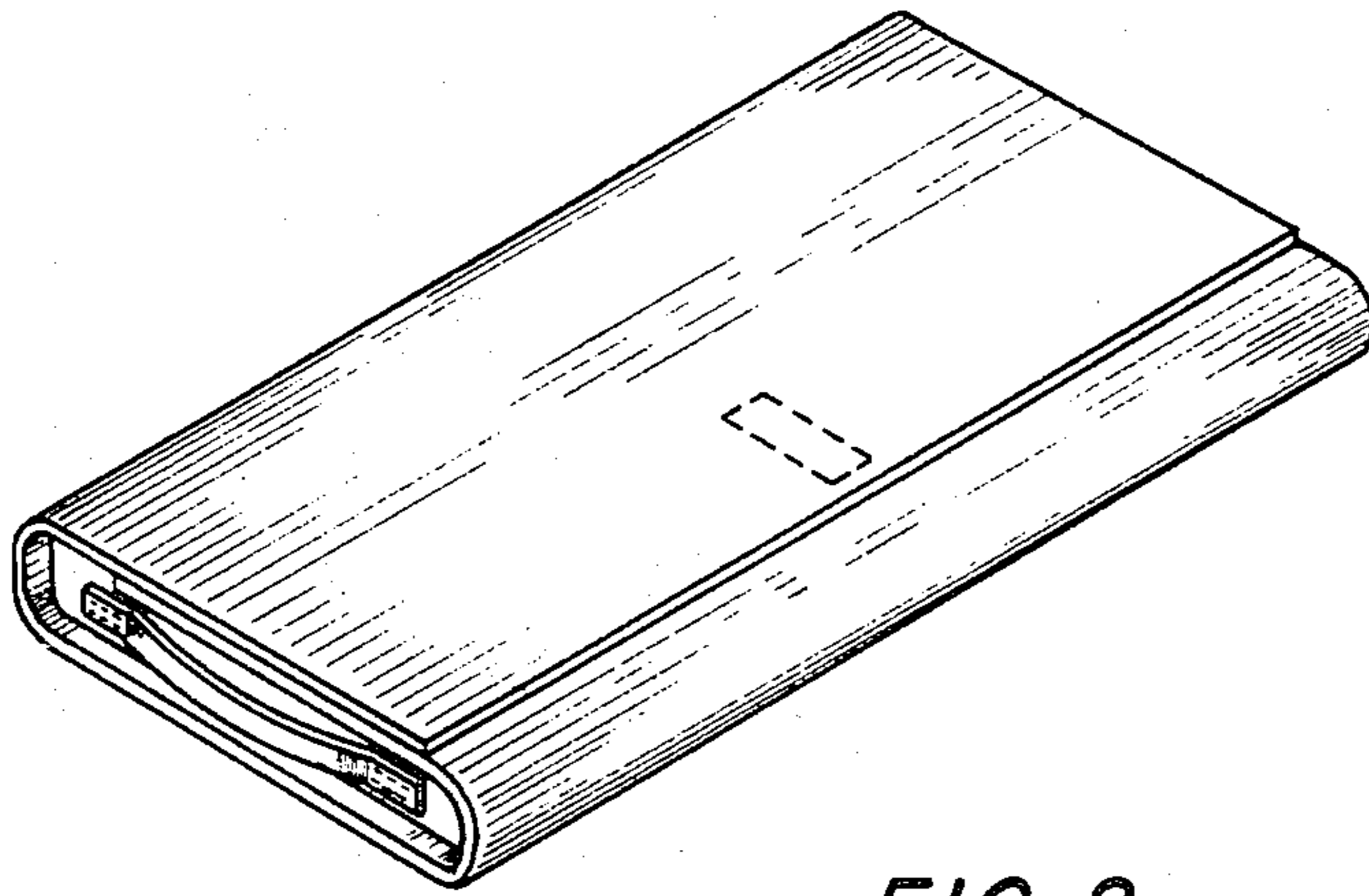


FIG. 2

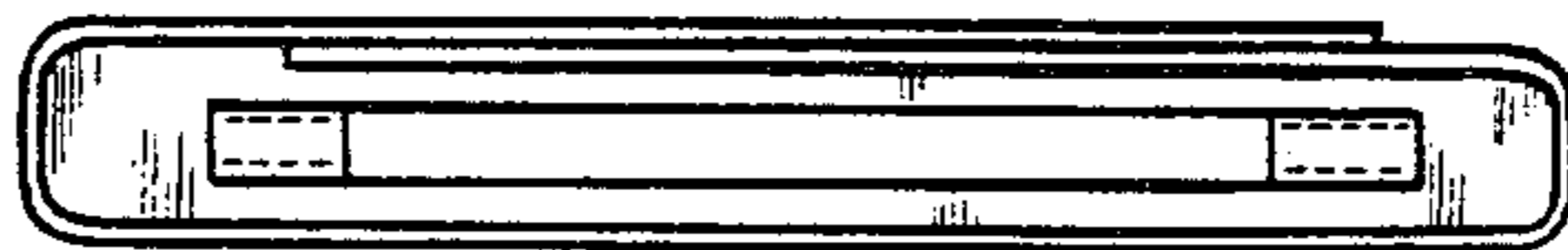


FIG. 3