

[54] BULLET CASE

[76] Inventors: John R. Walker, 12510 Adler Dr., Whittier, Calif. 90606; Thomas G. Montes, 6616 Lindsey, Pico Rivera, Calif. 90660

[**] Term: 14 Years

[21] Appl. No.: 462,473

[22] Filed: Jan. 31, 1983

[52] U.S. Cl. D3/38; D3/74; D3/78

[58] Field of Search D3/30.1, 36-38, D3/72, 74, 75, 76, 78; 206/3, 443, 314, 315.11; D22/14

[56] References Cited

U.S. PATENT DOCUMENTS

D. 178,950	10/1956	Berry	D3/38
D. 227,518	6/1973	Minneman	D3/76
D. 237,611	11/1975	Minneman	D22/14
2,566,569	9/1951	Jensen	206/3
2,928,530	3/1966	Sauey	206/3

4,139,096	2/1979	Sieger	206/315.11
4,199,057	4/1980	Gruaz	206/3

OTHER PUBLICATIONS

Vlchek Plastics Co. Flyer 12/78, Item KM824.

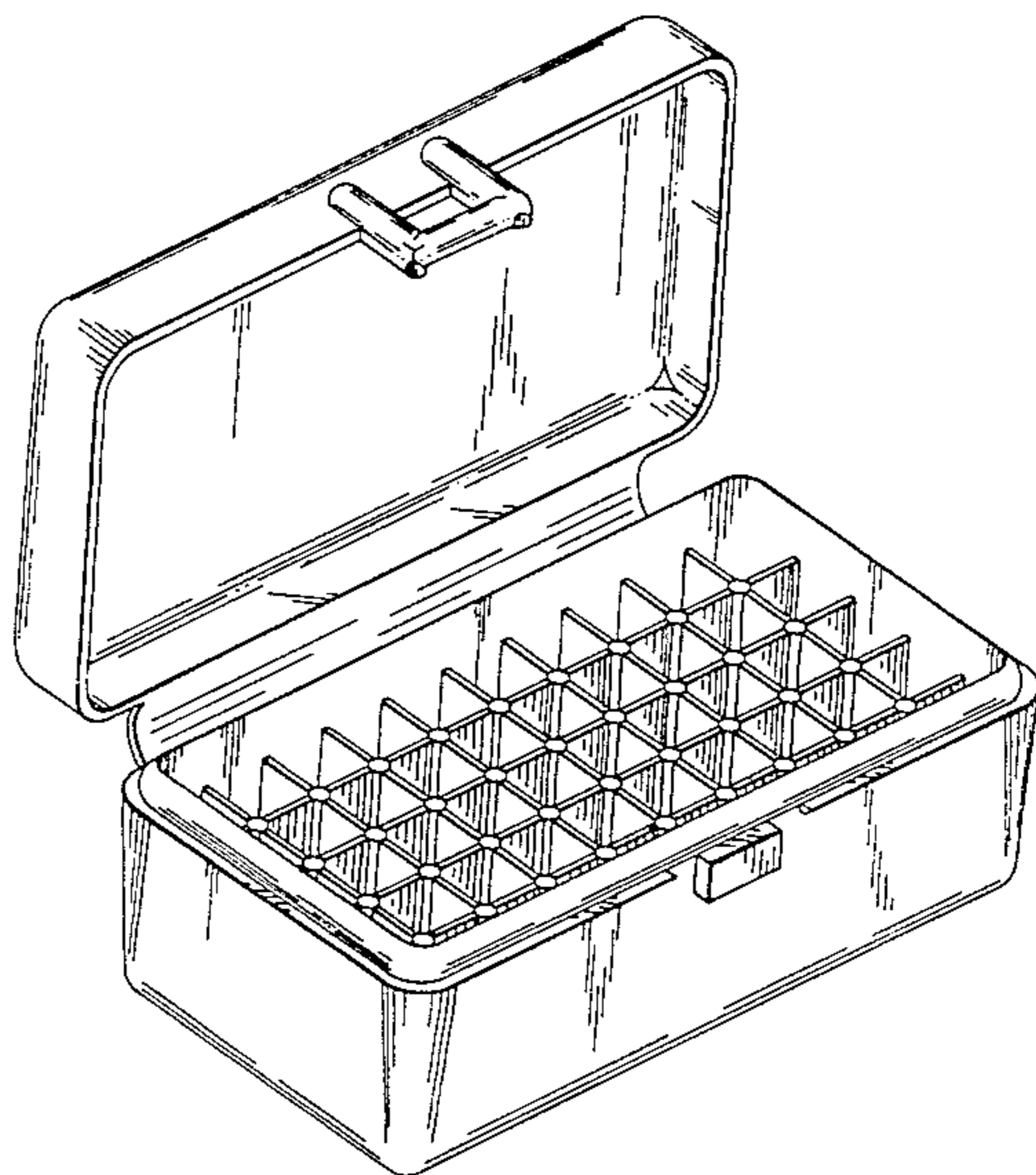
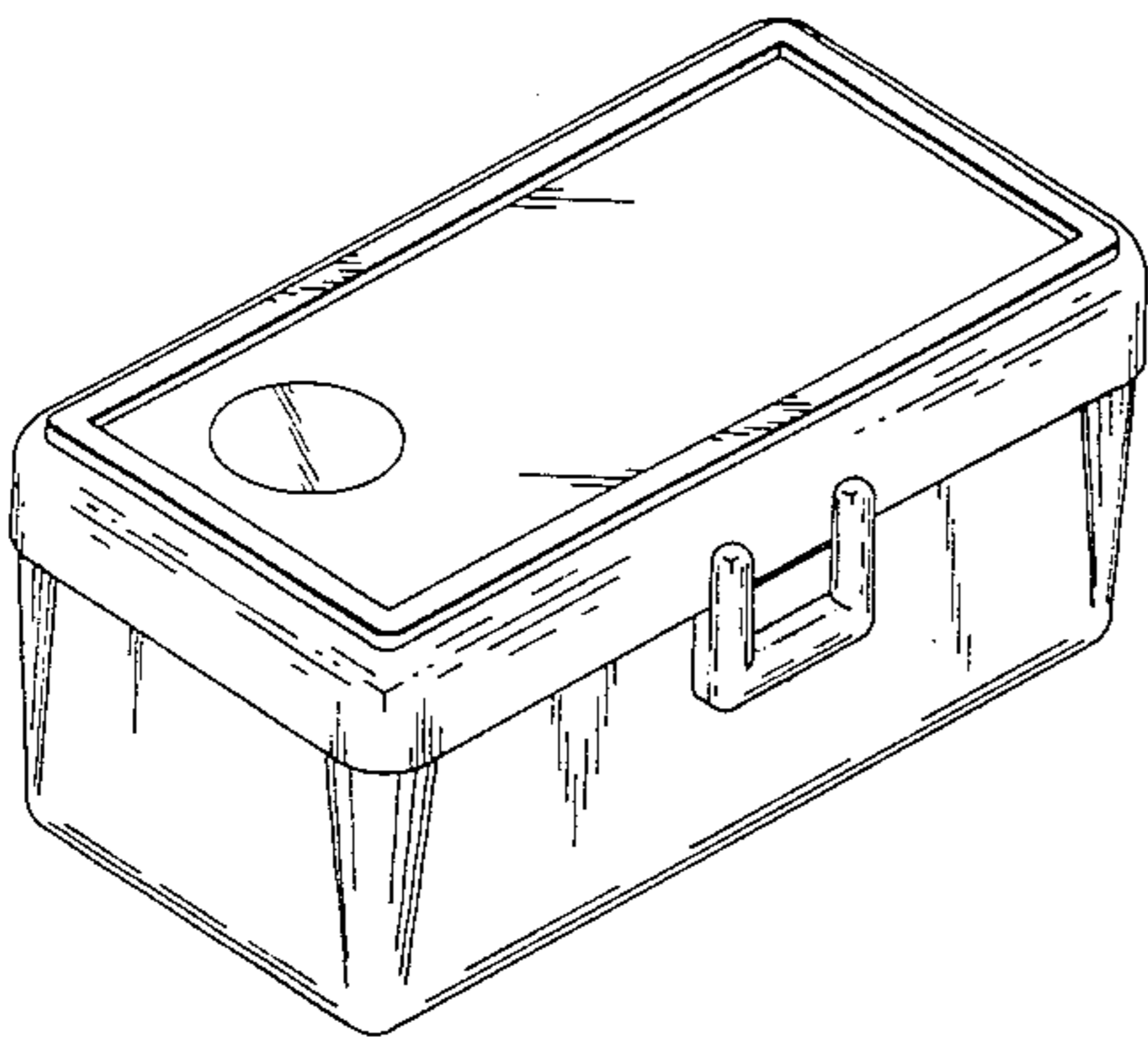
Primary Examiner—George P. Word
Attorney, Agent, or Firm—Edgar W. Averill, Jr.

[57] CLAIM

The ornamental design for a bullet case, as shown and described.

DESCRIPTION

FIG. 1 is a top perspective view of a bullet case showing our new design; FIG. 2 is a perspective view thereof with the top open; FIG. 3 is a bottom rear perspective view of FIG. 1; FIG. 4 is a top perspective view of an alternate embodiment of the bullet case; FIG. 5 is a perspective view thereof with the top open and the interior separators as shown in FIG. 2 removed for convenience of illustration; and FIG. 6 is a bottom rear perspective view of FIG. 4.



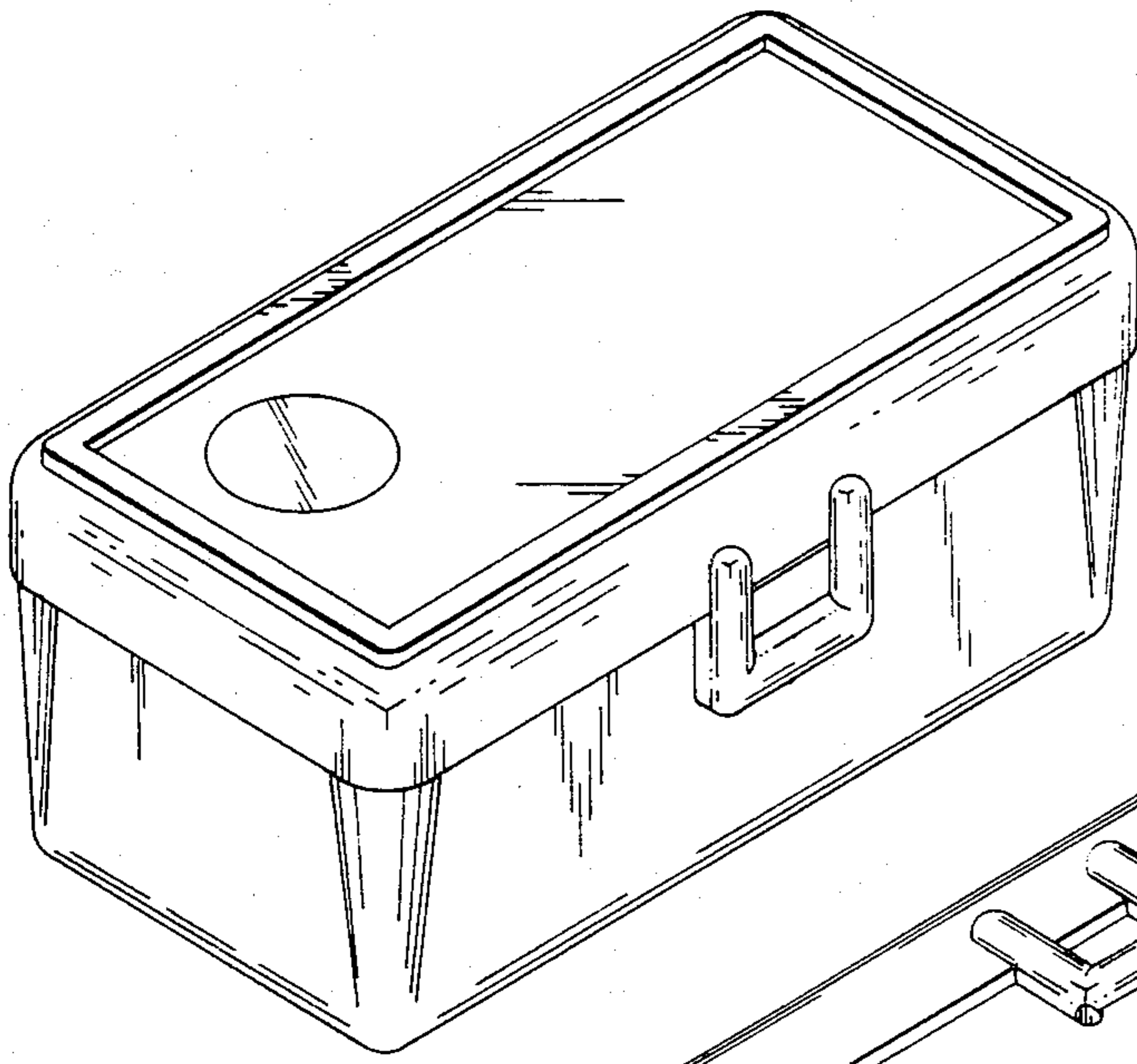


FIG. 1

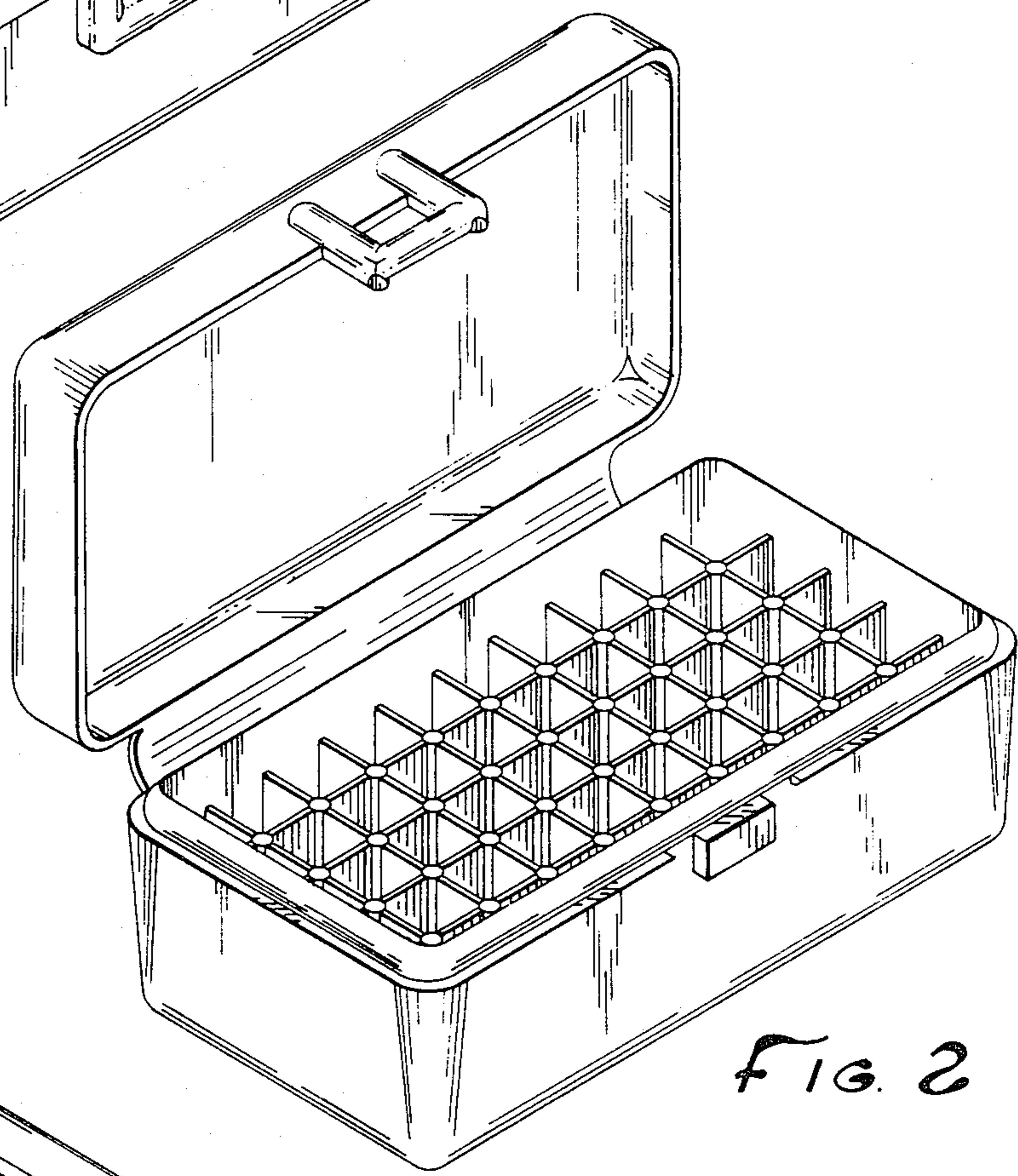


FIG. 2

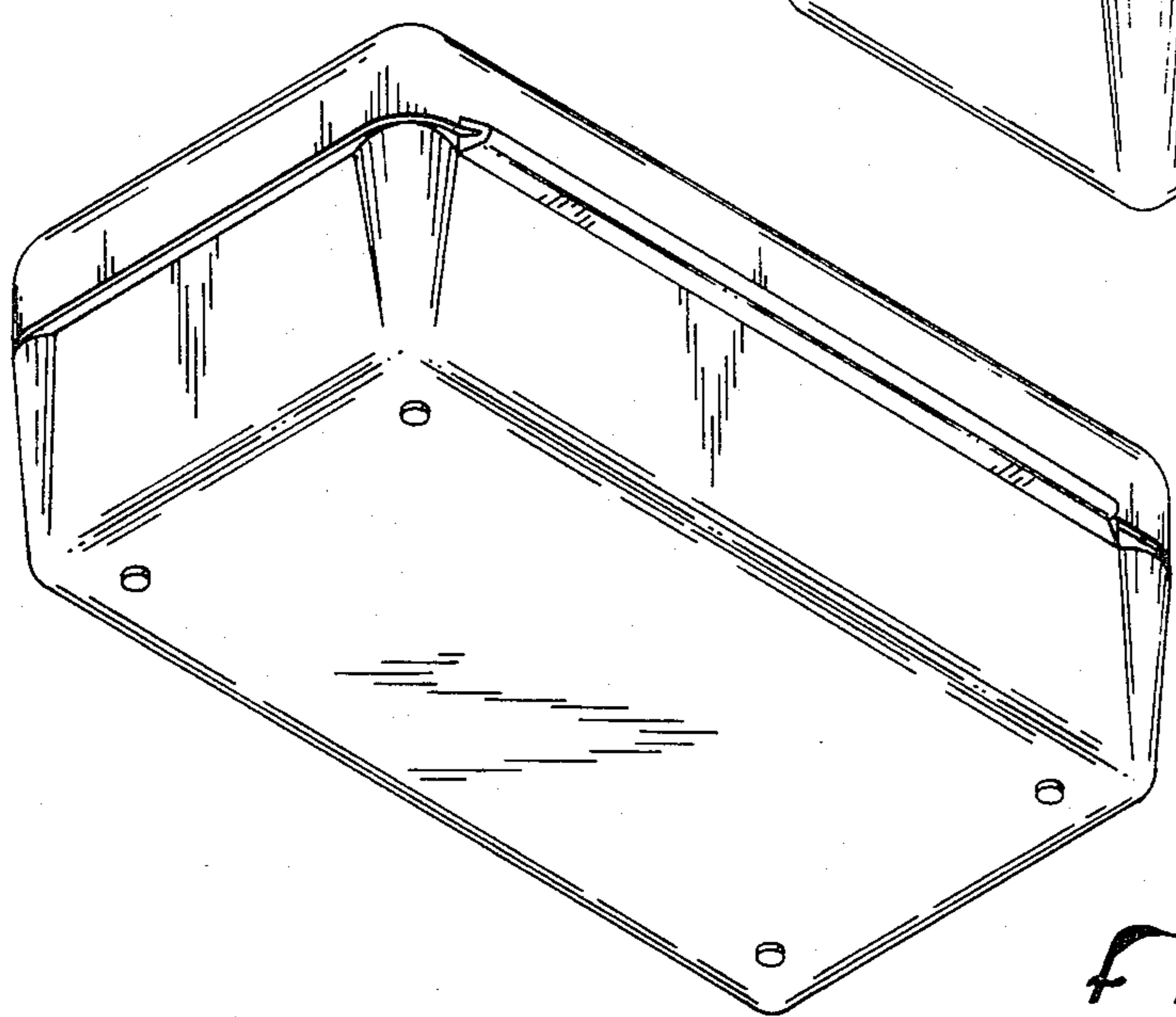


FIG. 3

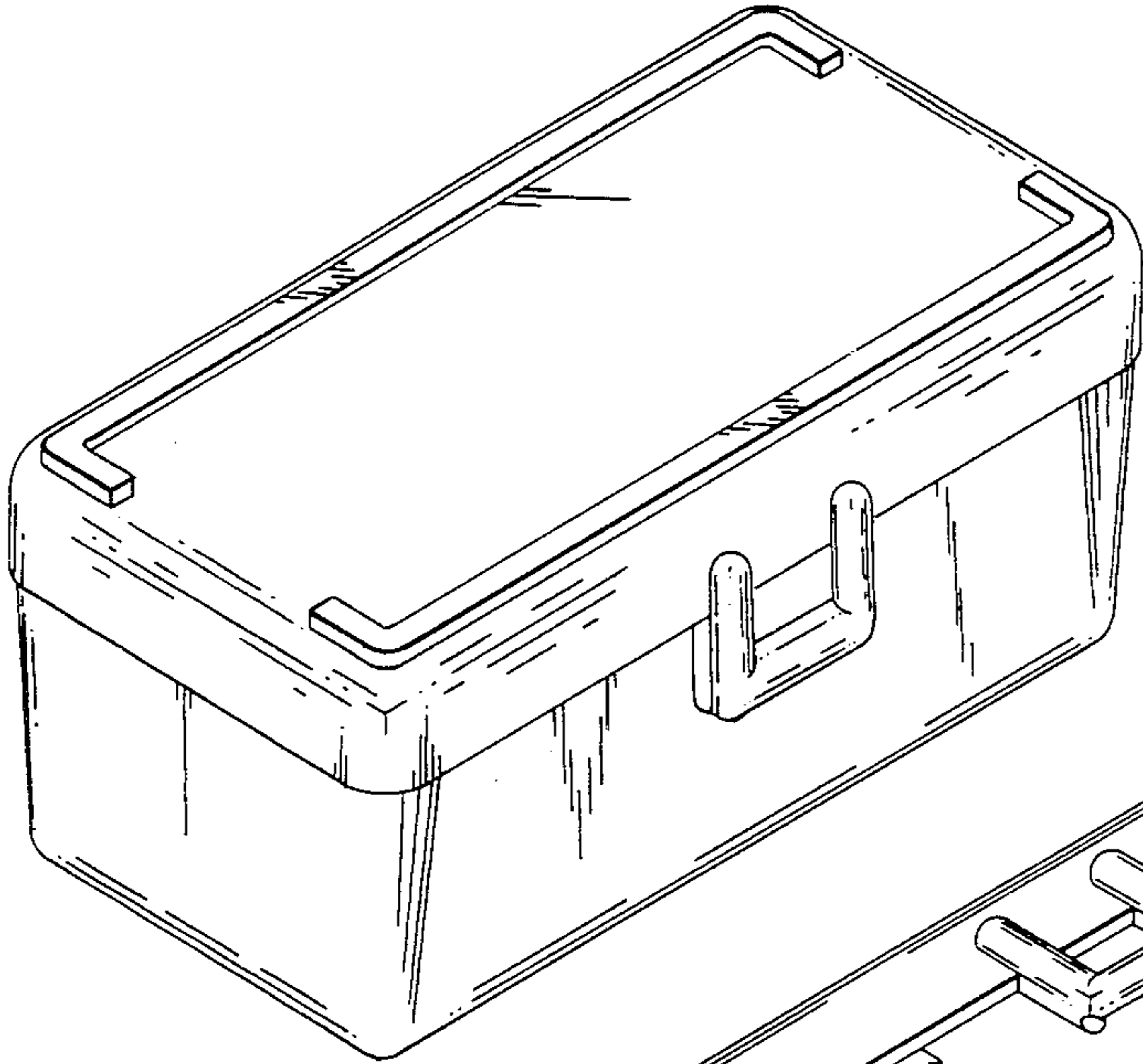


FIG. 4

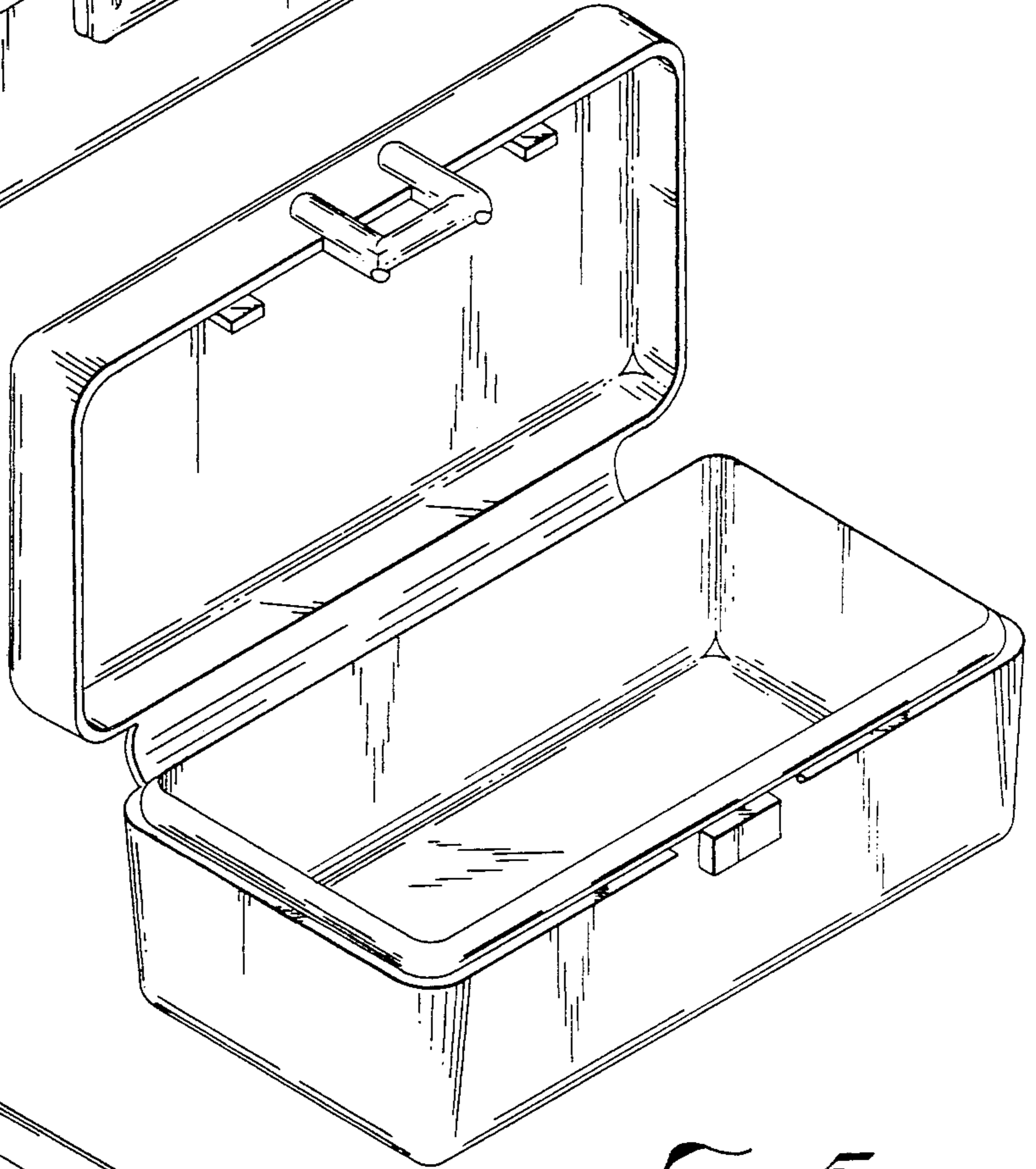


FIG. 5

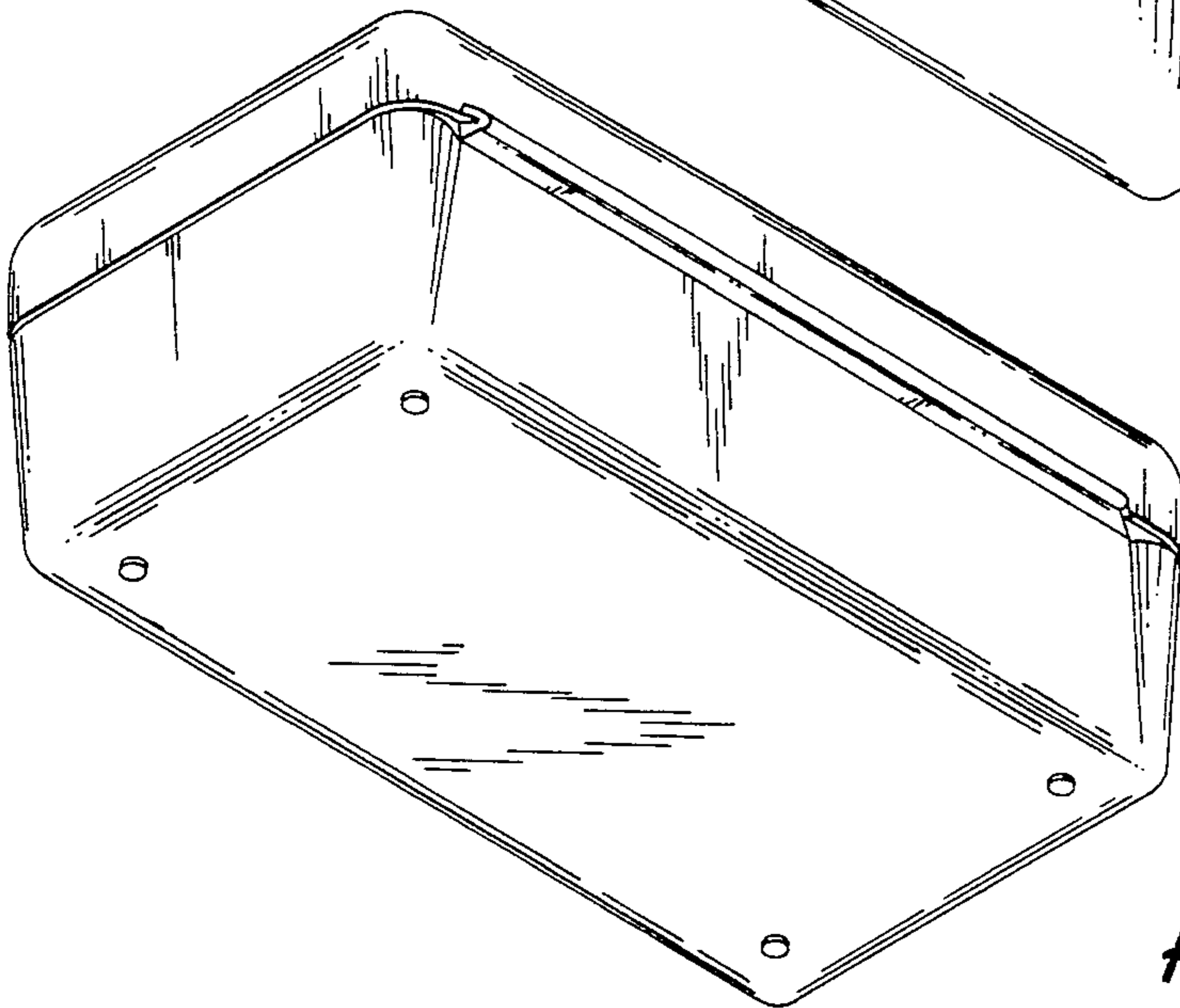


FIG. 6