

United States Patent [19]

Pruefer

[11] Patent Number: **Des. 278,087**

[45] Date of Patent: **** Mar. 19, 1985**

[54] **EYEPiece FOR GAS MASKS**
 [75] Inventor: **Erwin Pruefer**, Foxboro, Canada
 [73] Assignee: **Aoco Limited/Limitee**, Toronto, Canada
 [**] Term: **14 Years**

[21] Appl. No.: **385,295**
 [22] Filed: **Jun. 4, 1982**

[30] **Foreign Application Priority Data**
 Feb. 3, 1982 [CA] Canada 0302823
 [52] **U.S. Cl.** **D29/9; D2/234; D16/101**
 [58] **Field of Search** **D16/100, 101, 125, 116, D16/123, 122, 134; 350/252, 257; 351/41, 44, 45, 46, 51, 52, 54, 55, 57, 60, 61, 62, 63, 159, 167, 168, 170, 171, 174, 175-178, 154**

[56] **References Cited**
U.S. PATENT DOCUMENTS
 D. 184,011 12/1958 Hirshman et al. D2/234
 988,005 3/1911 Malcom 2/439
 1,099,147 6/1914 Hansen 2/439

1,417,326 5/1922 Jacobsson 350/252
 1,754,419 4/1930 Dräger 128/206.23 X
 2,005,072 6/1935 Booharin 128/206.22
 2,026,435 12/1935 Ratti 2/440
 2,238,492 4/1941 Leguillon 128/206.23 X
 4,021,103 5/1977 Gaspari 351/86 X

FOREIGN PATENT DOCUMENTS

78936 10/1919 Fed. Rep. of Germany 2/440
 712407 10/1941 Fed. Rep. of Germany 128/206.23
 859871 9/1940 France 128/206.23
 195783 5/1938 Switzerland 128/206.23
 567531 2/1945 United Kingdom 2/446

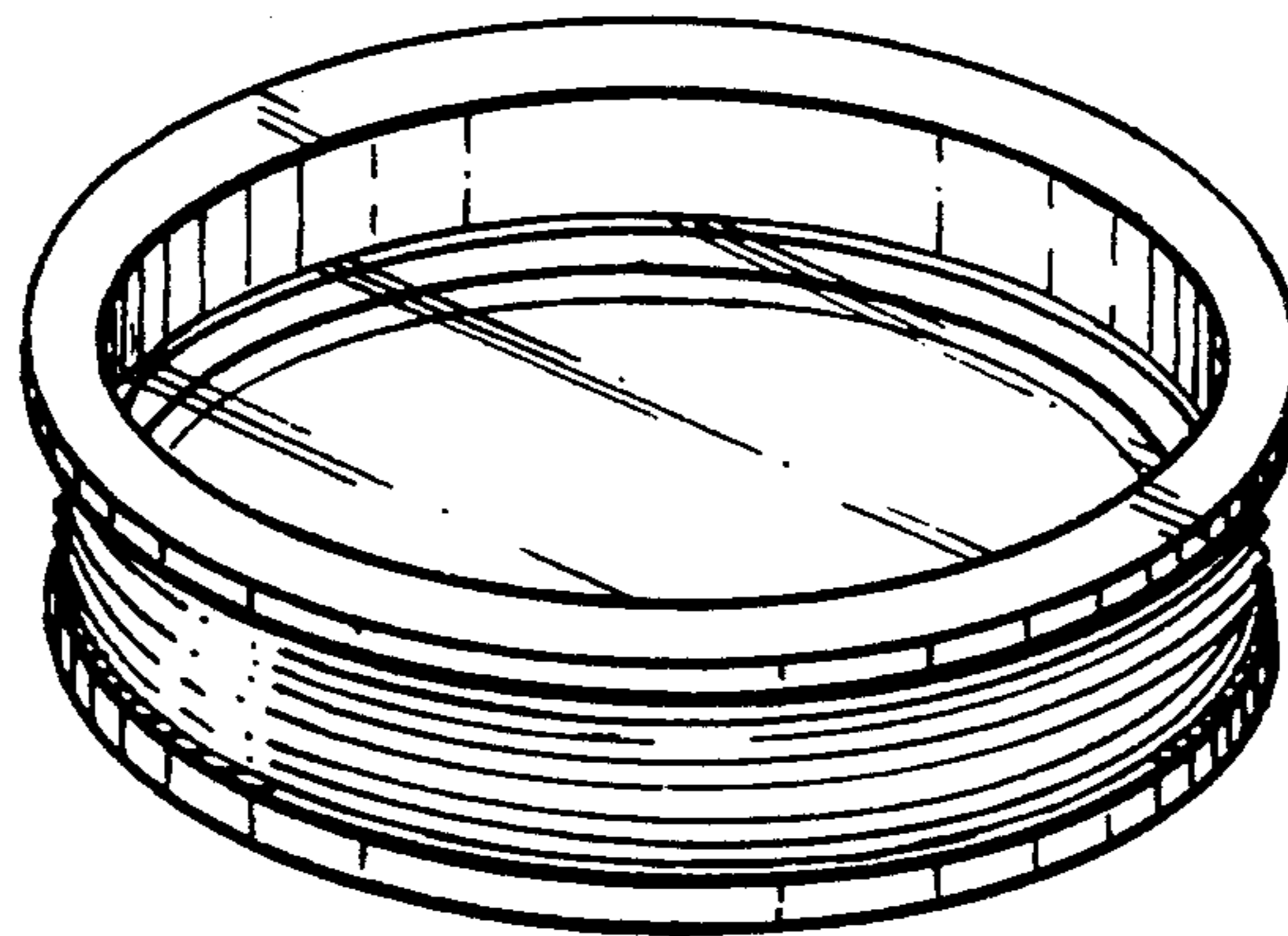
Primary Examiner—Susan J. Lucas
Attorney, Agent, or Firm—Browdy and Neimark

[57] CLAIM

The ornamental design for an eyepiece for gas masks, substantially as shown and described.

DESCRIPTION

FIG. 1 is a rear perspective view of an eyepiece for gas masks showing my new design;
 FIG. 2 is a front perspective view thereof;
 FIG. 3 is a side view thereof.



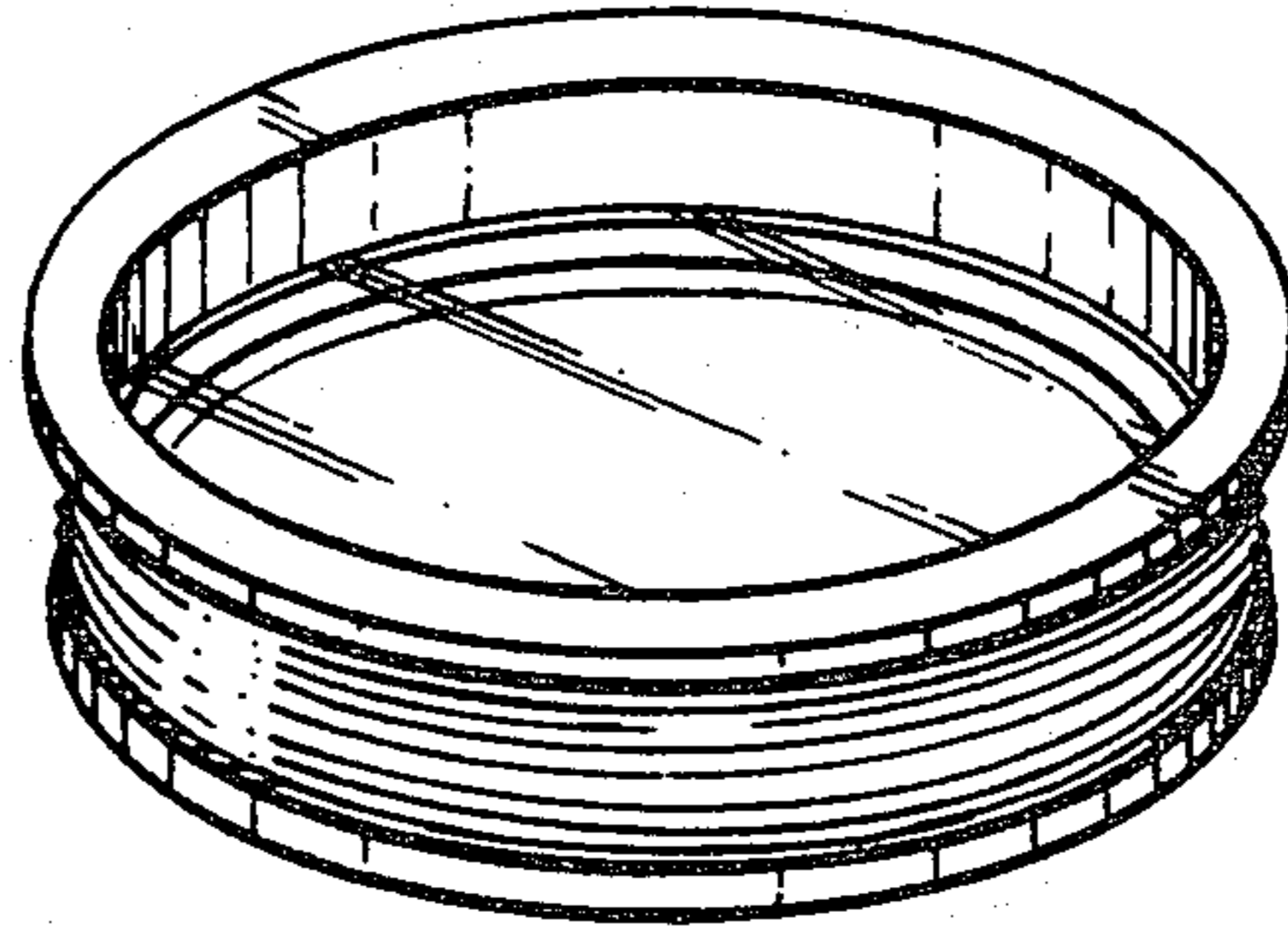


FIG. 1

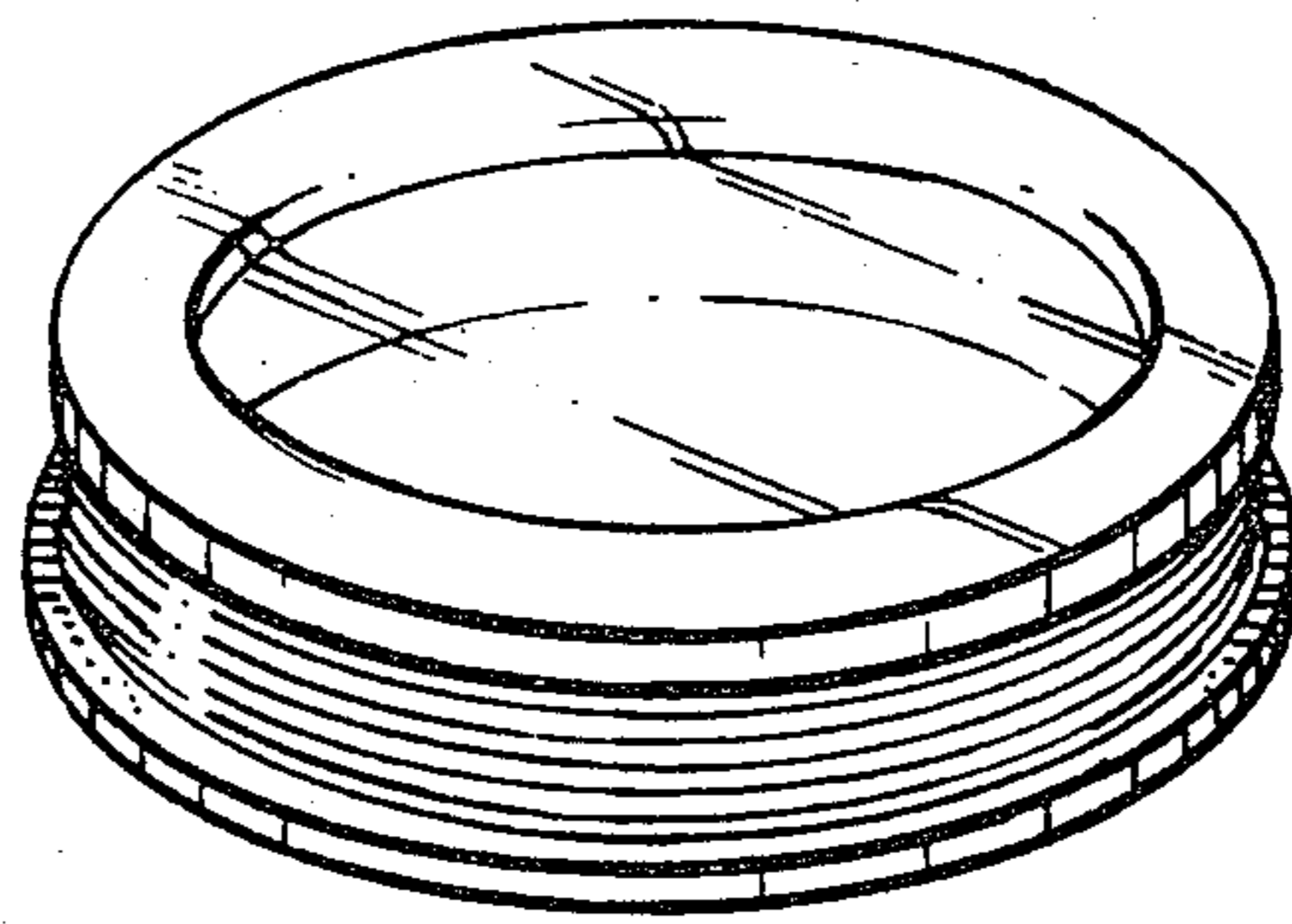


FIG. 2

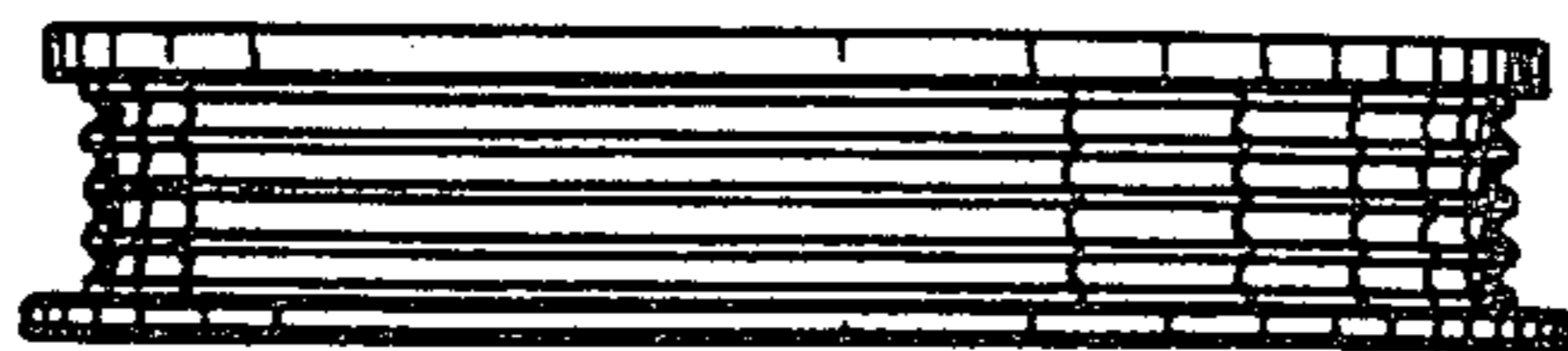


FIG. 3