

United States Patent [19]

Rittenhouse et al.

[11] Patent Number: **Des. 278,085**

[45] Date of Patent: **** Mar. 19, 1985**

[54] **HAIR DRYER**

[75] Inventors: **James M. Rittenhouse, Watchung;**
James B. Stewart, Randolph, both of
N.J.

[73] Assignee: **Conair Corporation, Edison, N.J.**

[**] Term: **14 Years**

[21] Appl. No.: **511,638**

[22] Filed: **Jul. 7, 1983**

[52] U.S. Cl. **D28/13**

[58] Field of Search **D28/12, 13, 15-18;**
34/96-101

[56] **References Cited**

U.S. PATENT DOCUMENTS

- D. 253,253 10/1979 Rakocy D28/13
- D. 265,767 8/1982 Stewart et al. D28/13

D. 274,153 6/1984 Nagelkerke D28/13

OTHER PUBLICATIONS

Design, 8/80, p. 35—Braun pgc 1000 at left.

Primary Examiner—Louis S. Zarfaz

Attorney, Agent, or Firm—Haynes N. Johnson

[57] **CLAIM**

The ornamental design or a hair dryer, substantially as shown and described.

DESCRIPTION

FIG. 1 is a perspective view of a hair dryer showing our new design;

FIG. 2 is a top plan view;

FIG. 3 is a bottom plan view;

FIG. 4 is a rear elevational view;

FIG. 5 is a left side elevational view; and

FIG. 6 is a front elevational view.

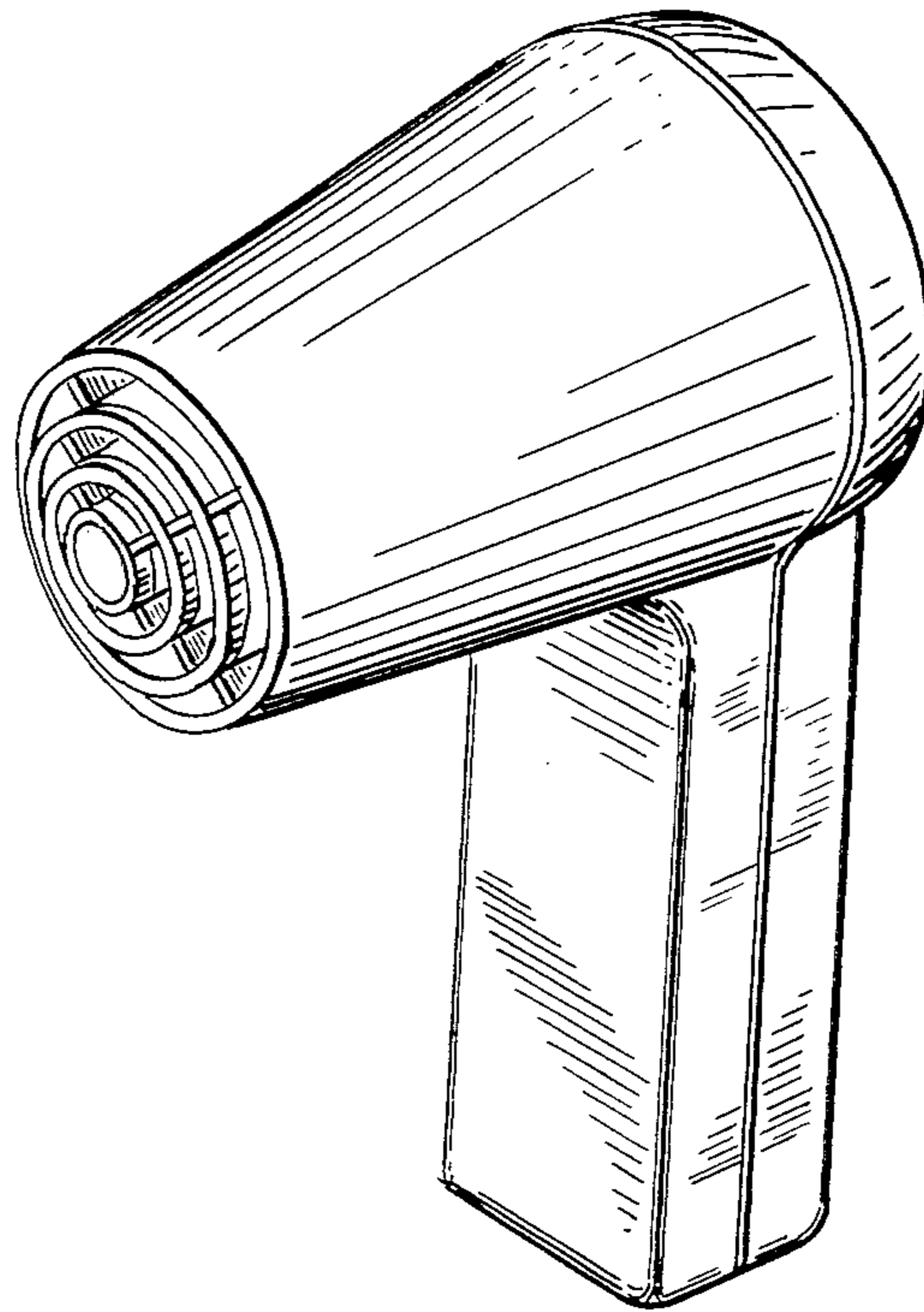


Fig. 1.

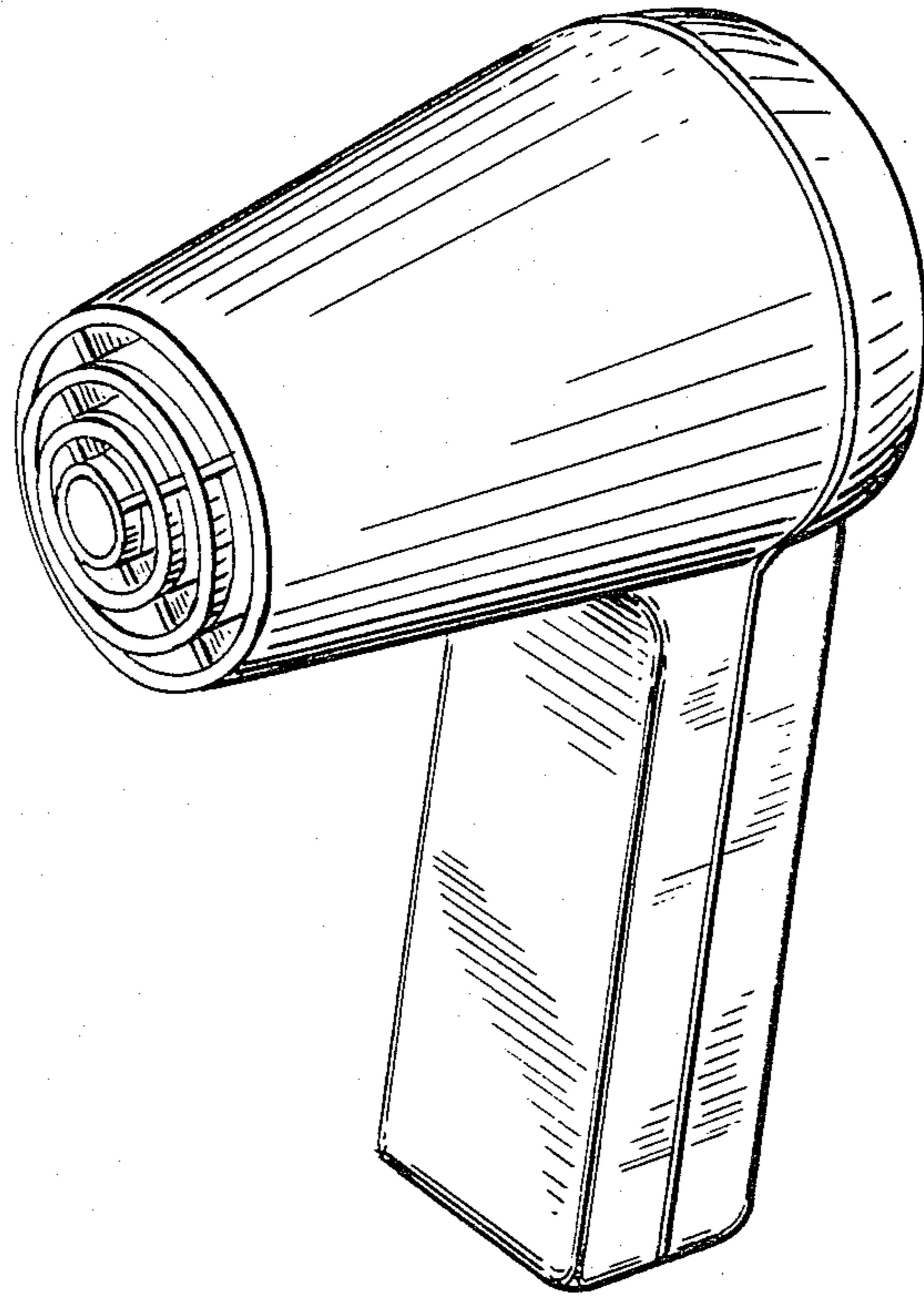


Fig. 2.

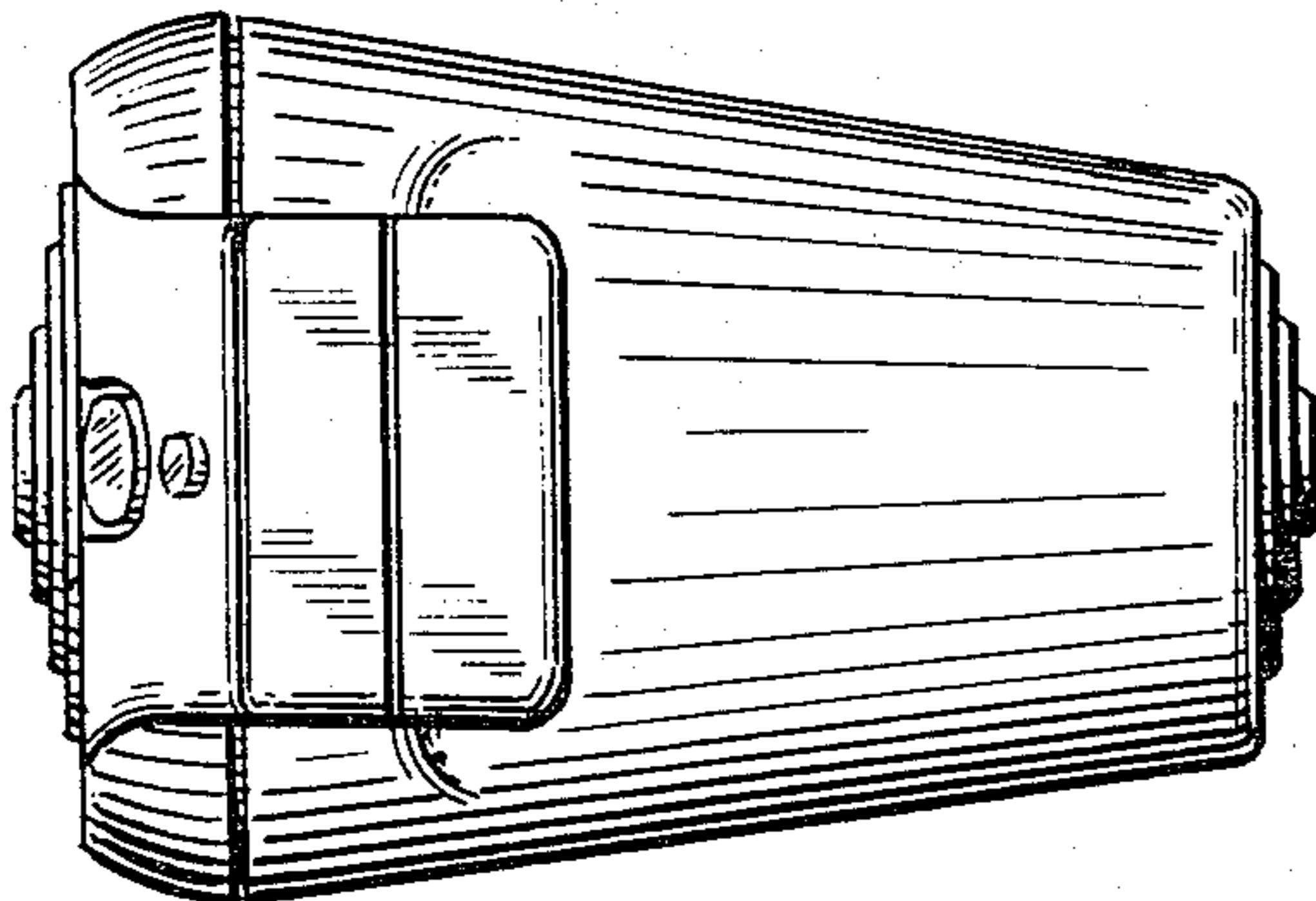
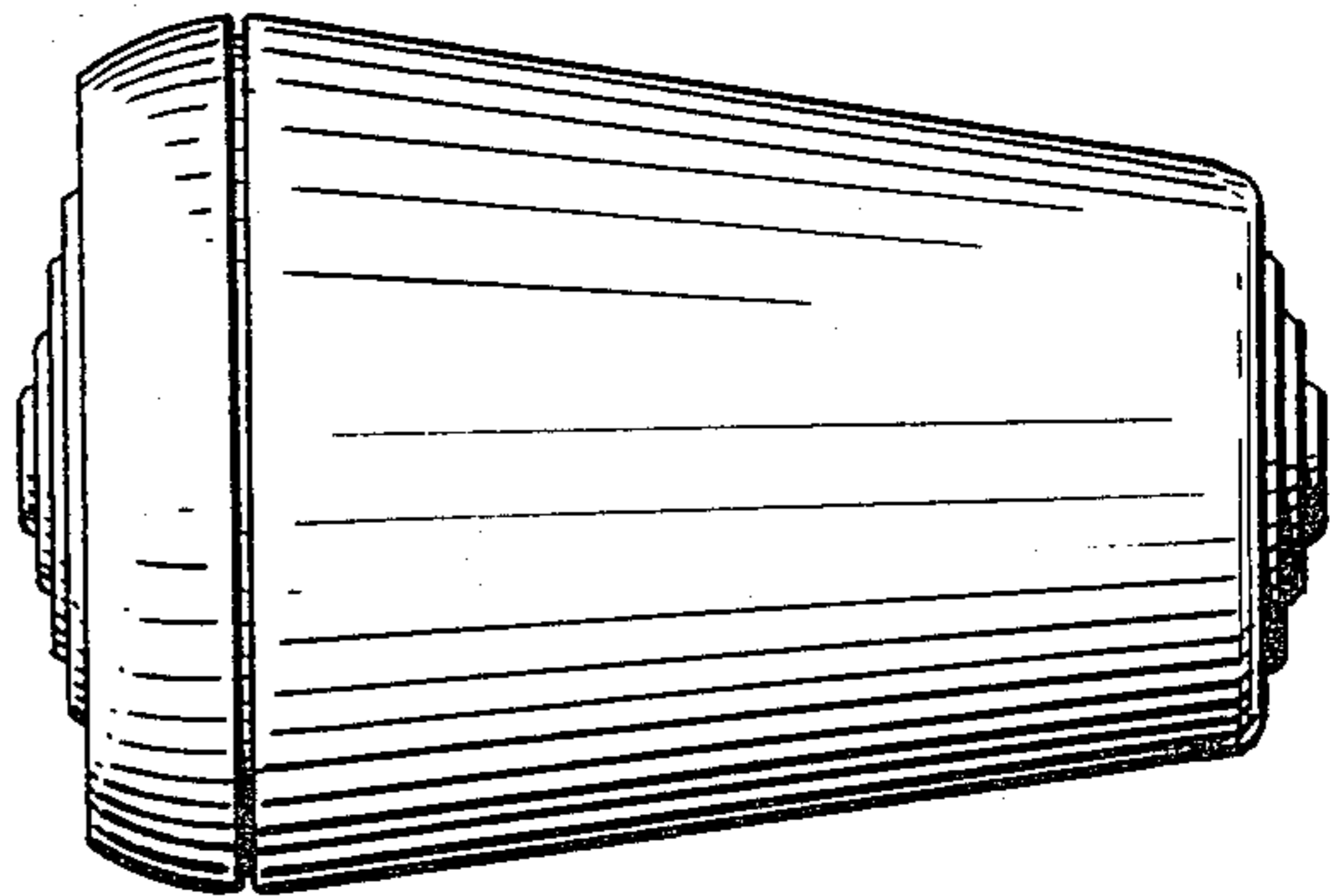


Fig. 3.

Fig. 6.

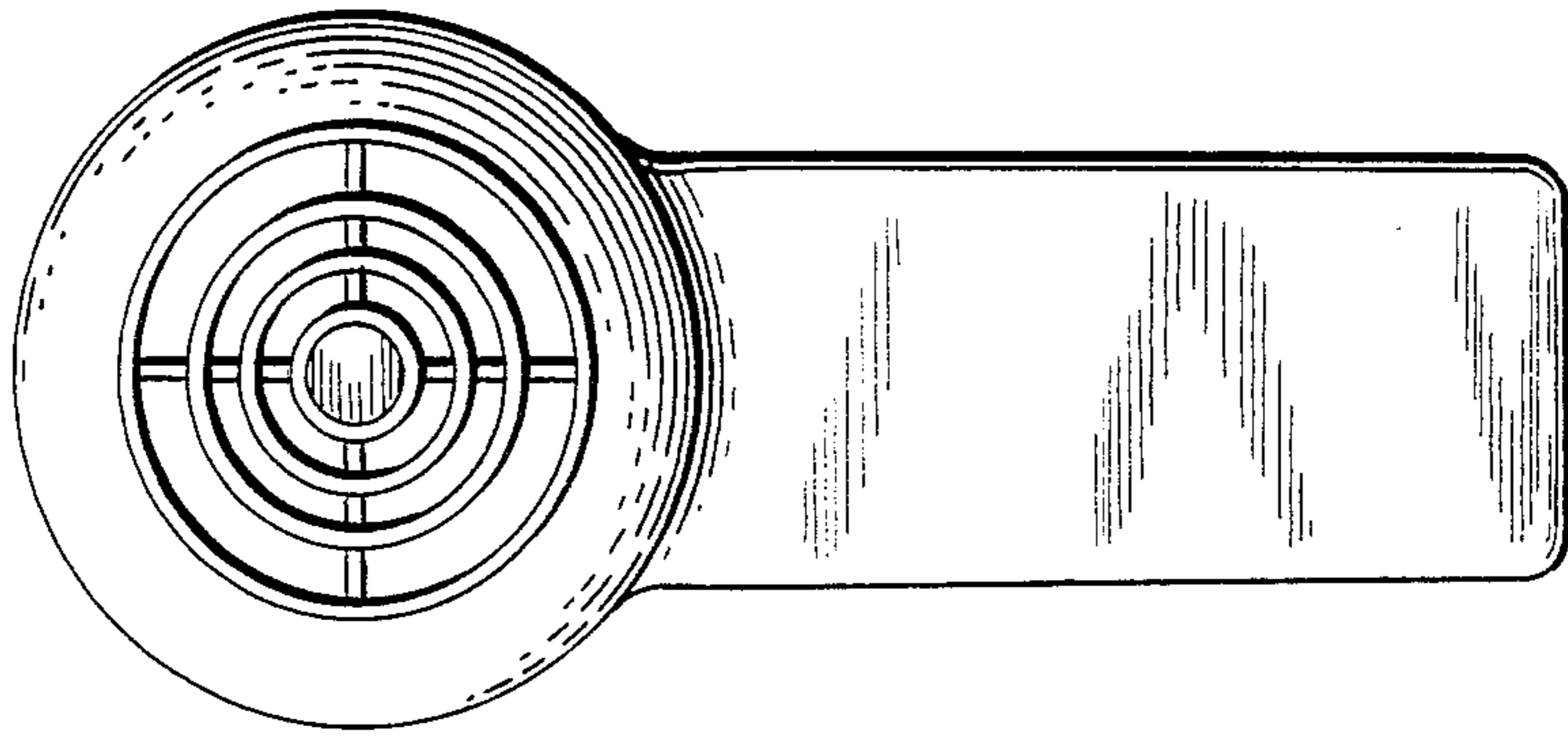


Fig. 5.

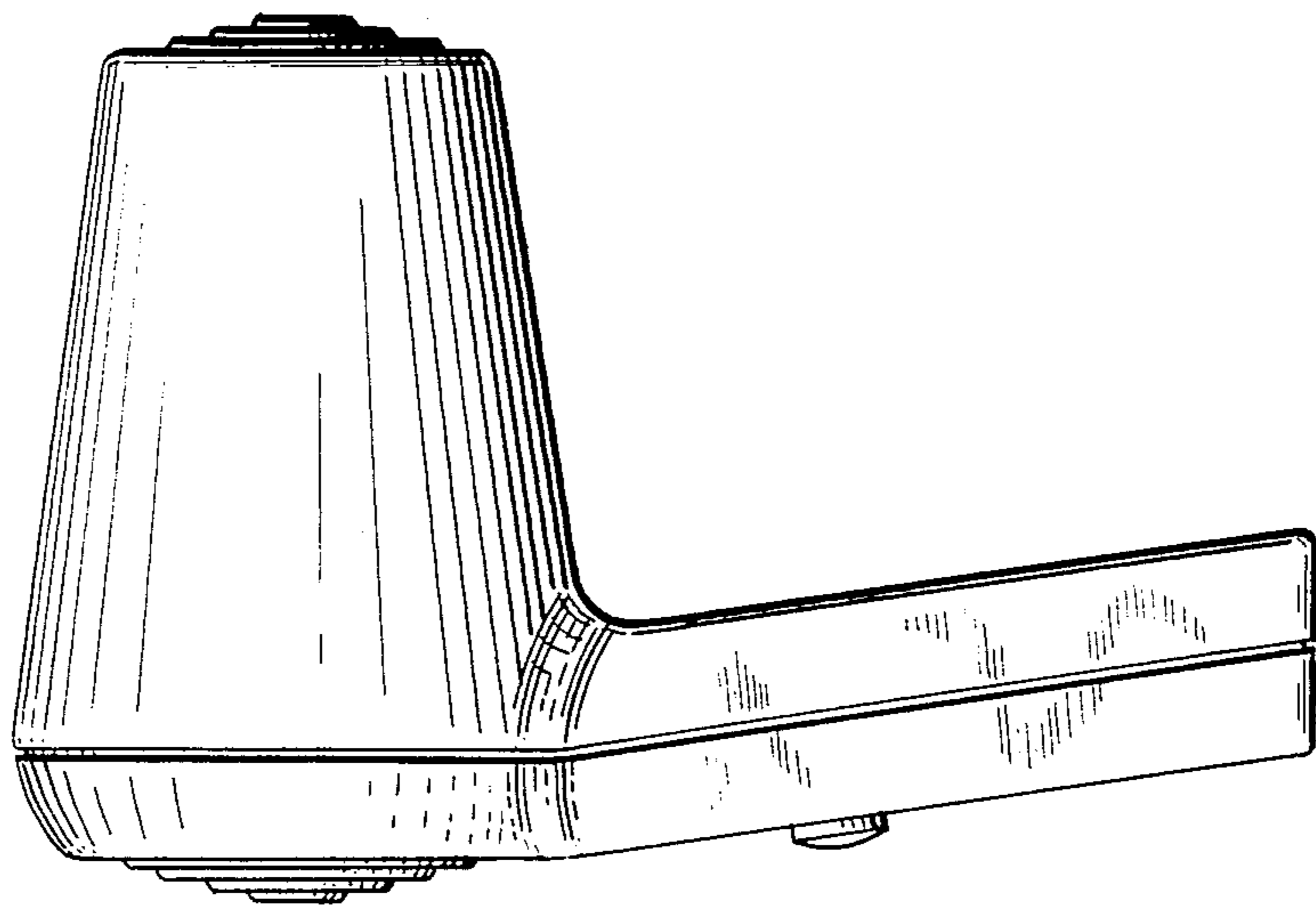


Fig. 4.

