

[54] **PORTABLE LAMP**  
 [75] **Inventors: John C. Parker, Tyler; Norman L. Terry; Bud W. Lester, both of Jacksonville, all of Tex.**  
 [73] **Assignee: Teknovations, Incorporated, Jacksonville, Tex.**  
 [\*\*] **Term: 14 Years**  
 [21] **Appl. No.: 423,480**  
 [22] **Filed: Sep. 24, 1982**  
 [52] **U.S. Cl. .... D26/45**  
 [58] **Field of Search ..... D26/37-50; 362/157, 158, 183-208, 258; 340/321**

2,278,545 4/1942 Gravenstine .  
 2,334,900 11/1943 Bosten et al. .  
 2,593,942 4/1952 Van Vliet et al. .  
 2,638,584 5/1953 Fortney .  
 2,662,970 12/1953 Zediker .  
 2,784,305 3/1957 Lawson et al. .  
 2,846,675 8/1958 Crossley .  
 2,987,702 6/1961 Yohe .  
 3,001,185 9/1961 Cleek .  
 3,005,975 10/1961 Lea .  
 3,086,104 4/1963 Atkin .  
 3,142,052 7/1964 Tambert .  
 3,322,944 5/1967 Mellyn .  
 3,342,985 9/1967 Huber .  
 3,439,159 4/1969 McRoskey .

[56] **References Cited**  
**U.S. PATENT DOCUMENTS**

D. 52,073 6/1918 Hawthorne .  
 D. 125,765 3/1941 Gravenstine .  
 D. 135,037 2/1943 Munson .  
 D. 146,807 5/1947 Newell .  
 D. 147,335 8/1947 Knight .  
 D. 153,228 3/1949 Morgenstern .  
 D. 163,403 5/1951 Morgenstern .  
 D. 165,185 11/1951 Morgenstern .  
 D. 165,187 11/1951 Morgenstern .  
 D. 166,743 5/1952 Fischer .  
 D. 188,518 8/1960 Cleek .  
 D. 190,009 3/1961 Minto .  
 D. 194,210 12/1962 Midlock .  
 D. 195,093 4/1963 Bates .  
 D. 195,656 7/1963 Cleek .  
 D. 198,811 8/1964 Bringham .  
 D. 217,980 7/1970 Chee .  
 D. 223,389 4/1972 Schifrin .  
 D. 241,973 10/1976 Payne .  
 D. 245,282 8/1977 Brinkmann .  
 D. 253,194 10/1979 Watley .  
 1,191,528 7/1916 Midgley .  
 2,017,849 10/1935 Blee et al. .  
 2,275,299 3/1942 Hummert .

**FOREIGN PATENT DOCUMENTS**

784788 10/1957 United Kingdom .  
 1285472 8/1972 United Kingdom .

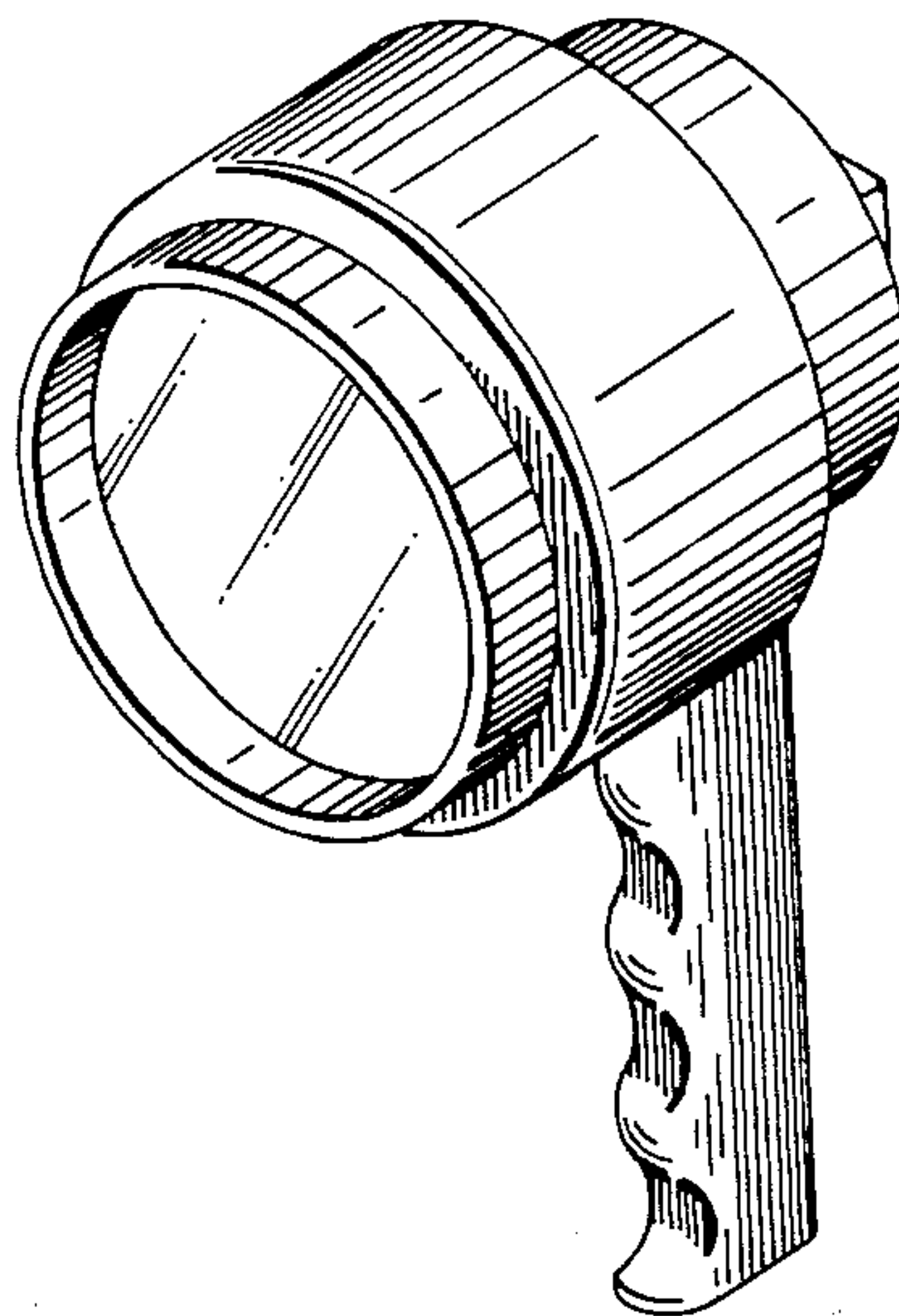
*Primary Examiner*—Susan J. Lucas  
*Attorney, Agent, or Firm*—Thomas L. Cantrell; Stanley R. Moore

[57] **CLAIM**

The ornamental design for the portable lamp, as shown and described.

**DESCRIPTION**

FIG. 1 is a perspective view of a portable lamp showing our new design;  
 FIG. 2 is a front elevational view thereof on an enlarged scale;  
 FIG. 3 is a left side elevational view thereof on an enlarged scale;  
 FIG. 4 is a rear elevational view thereof on an enlarged scale;  
 FIG. 5 is a top plan view thereof on an enlarged scale;  
 FIG. 6 is a bottom plan view thereof on an enlarged scale;  
 FIG. 7 is a perspective view of a second embodiment of our new design, the second embodiment differing from the first only in placement of the lens.



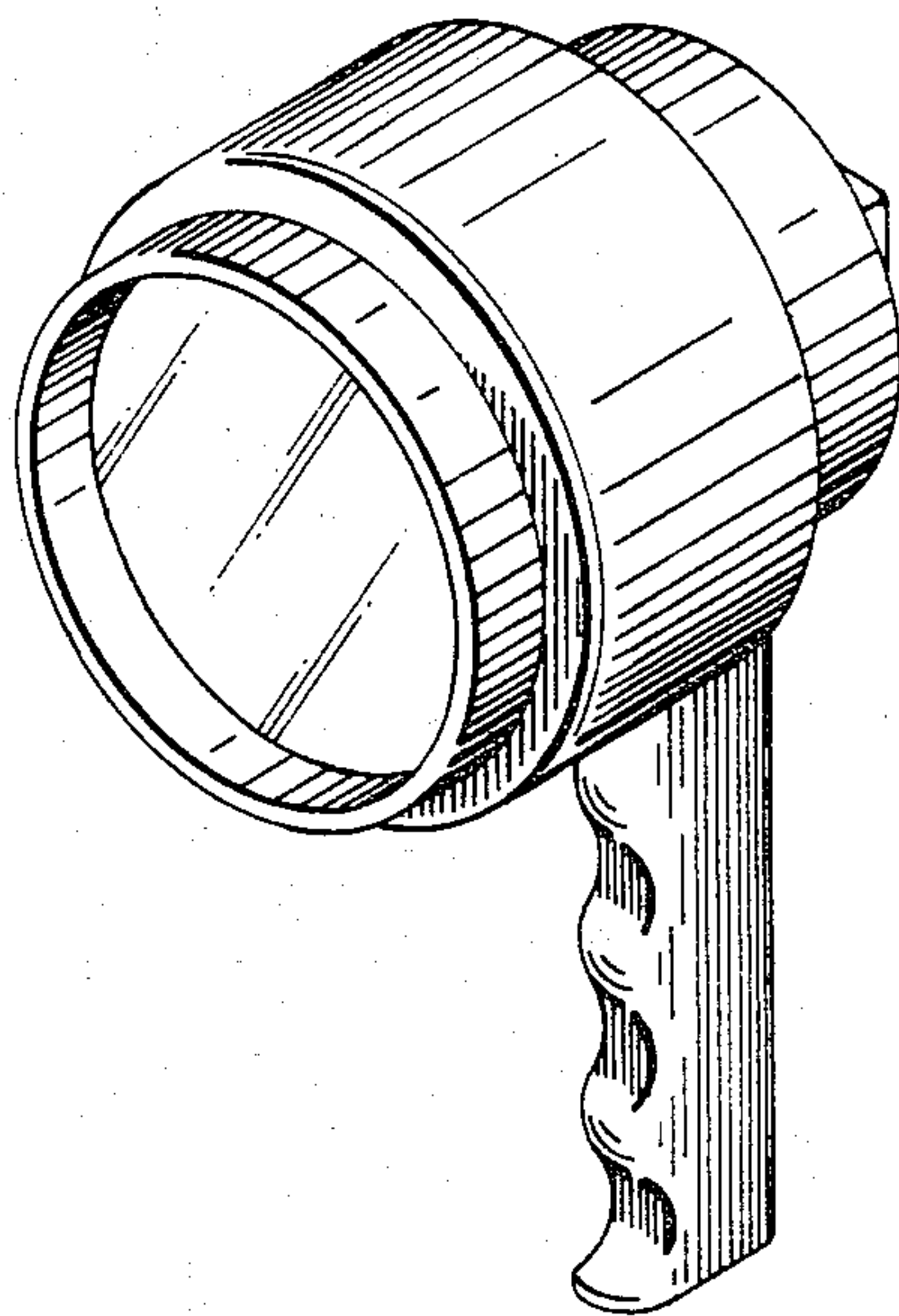


FIG. 1

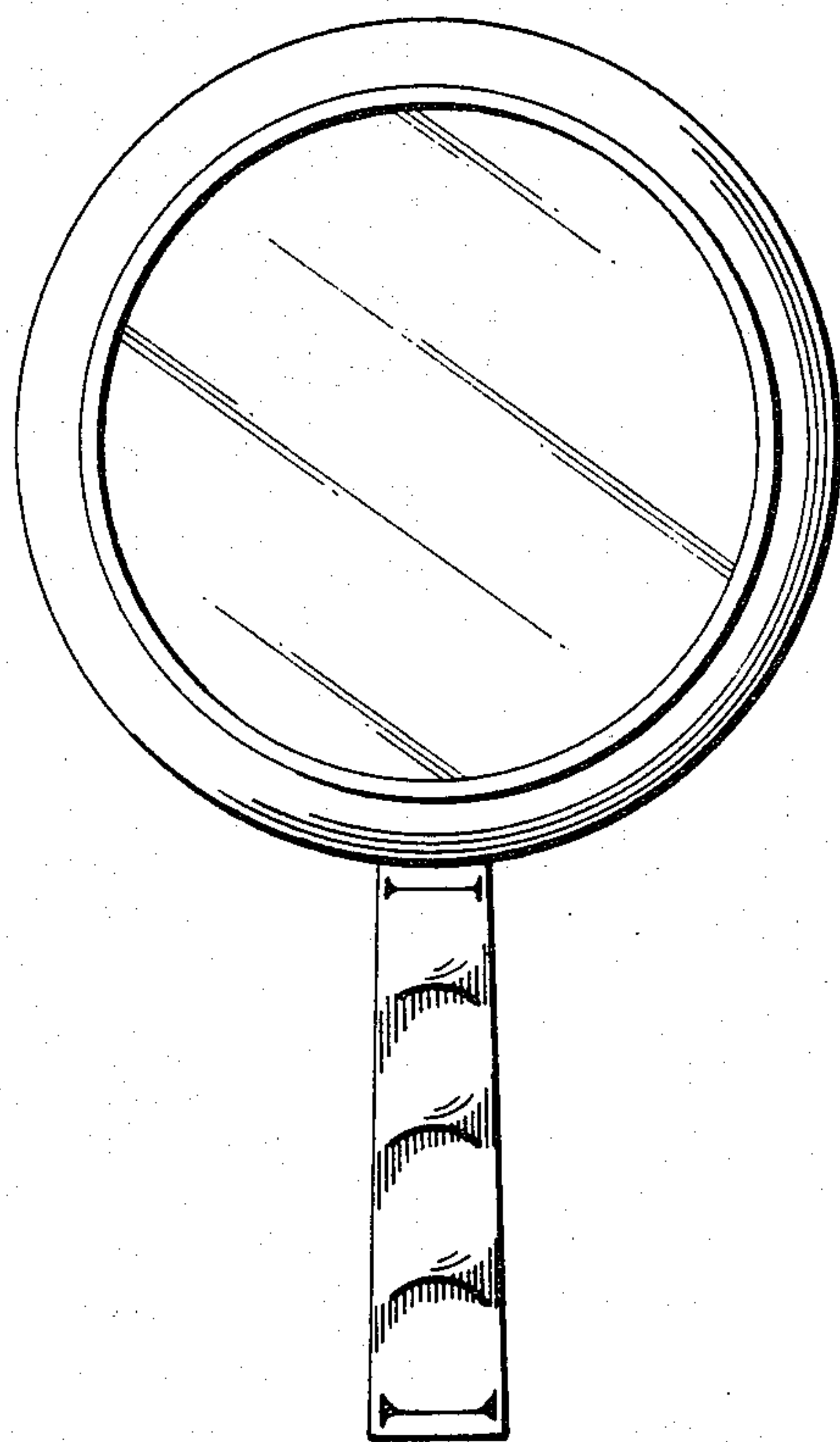


FIG. 2

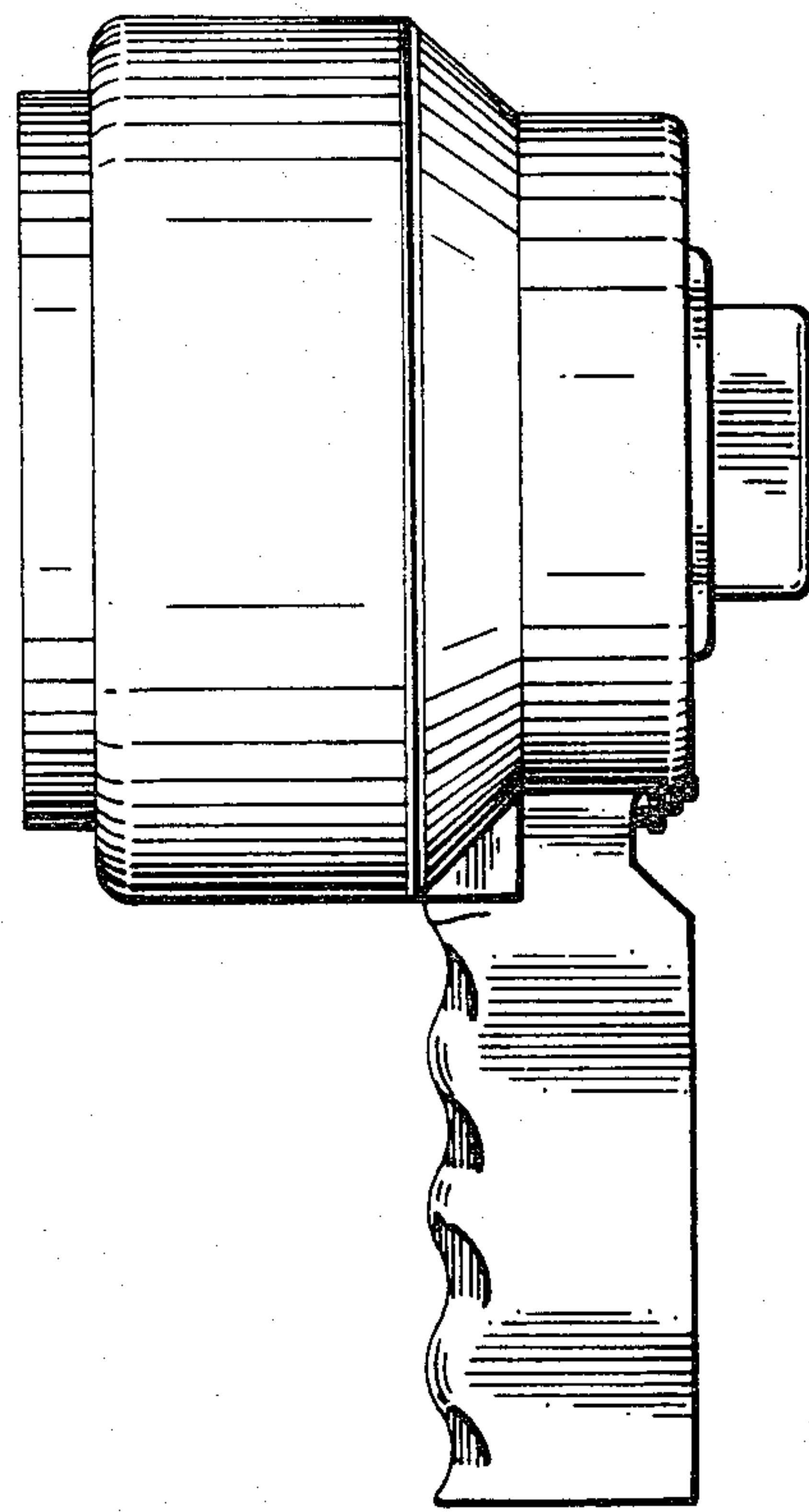


FIG. 3

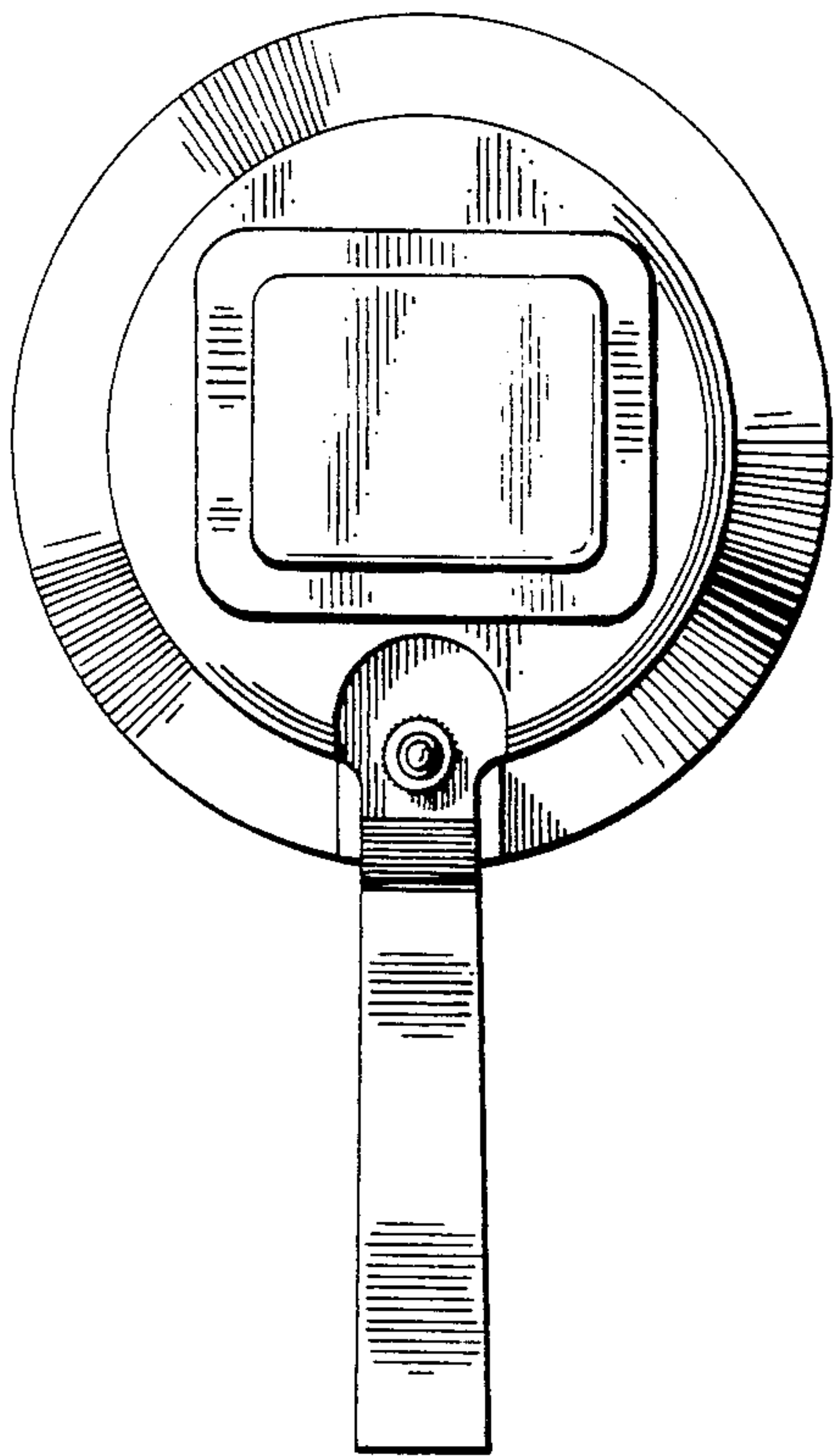


FIG. 4

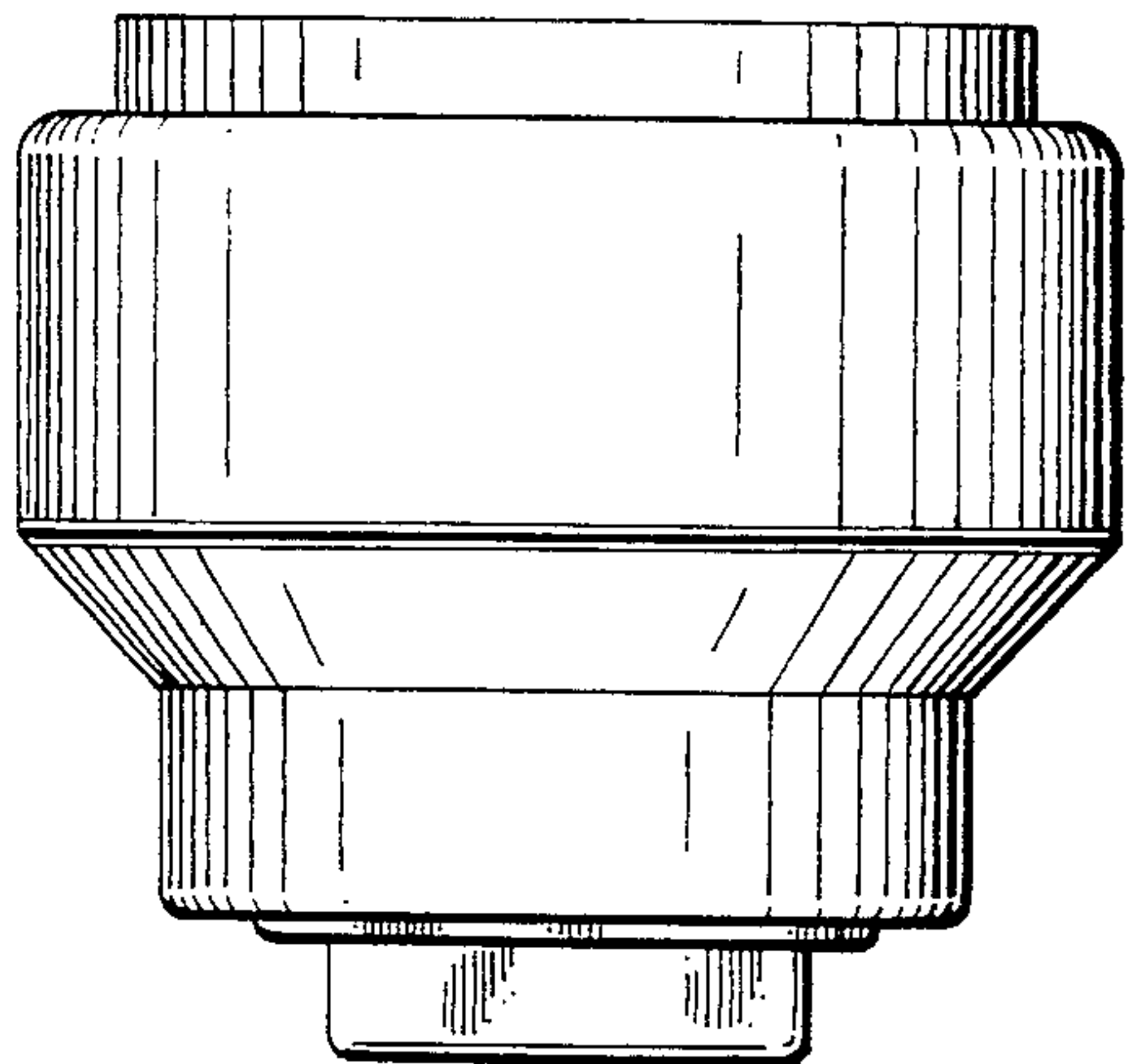


FIG. 5

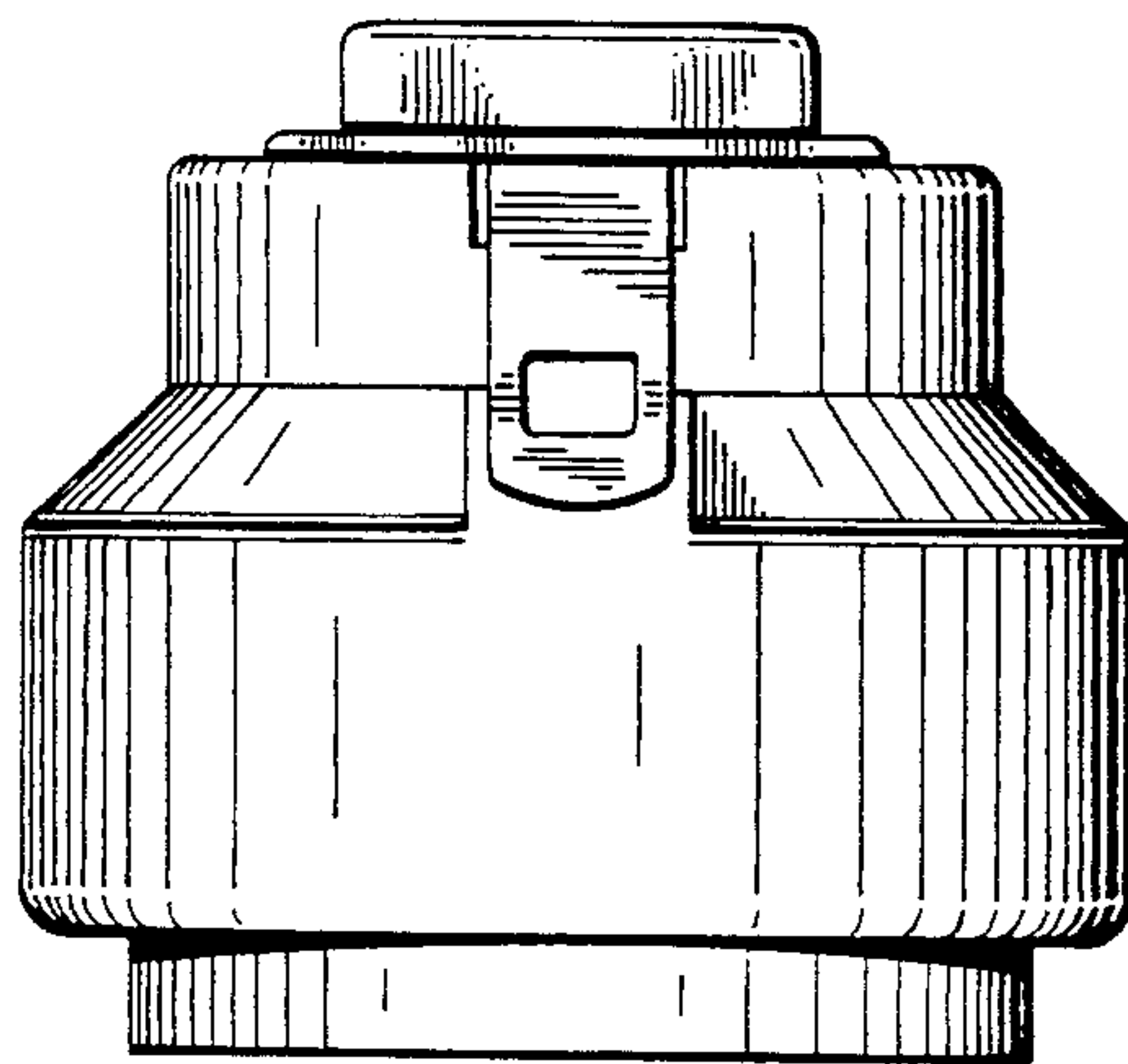


FIG. 6

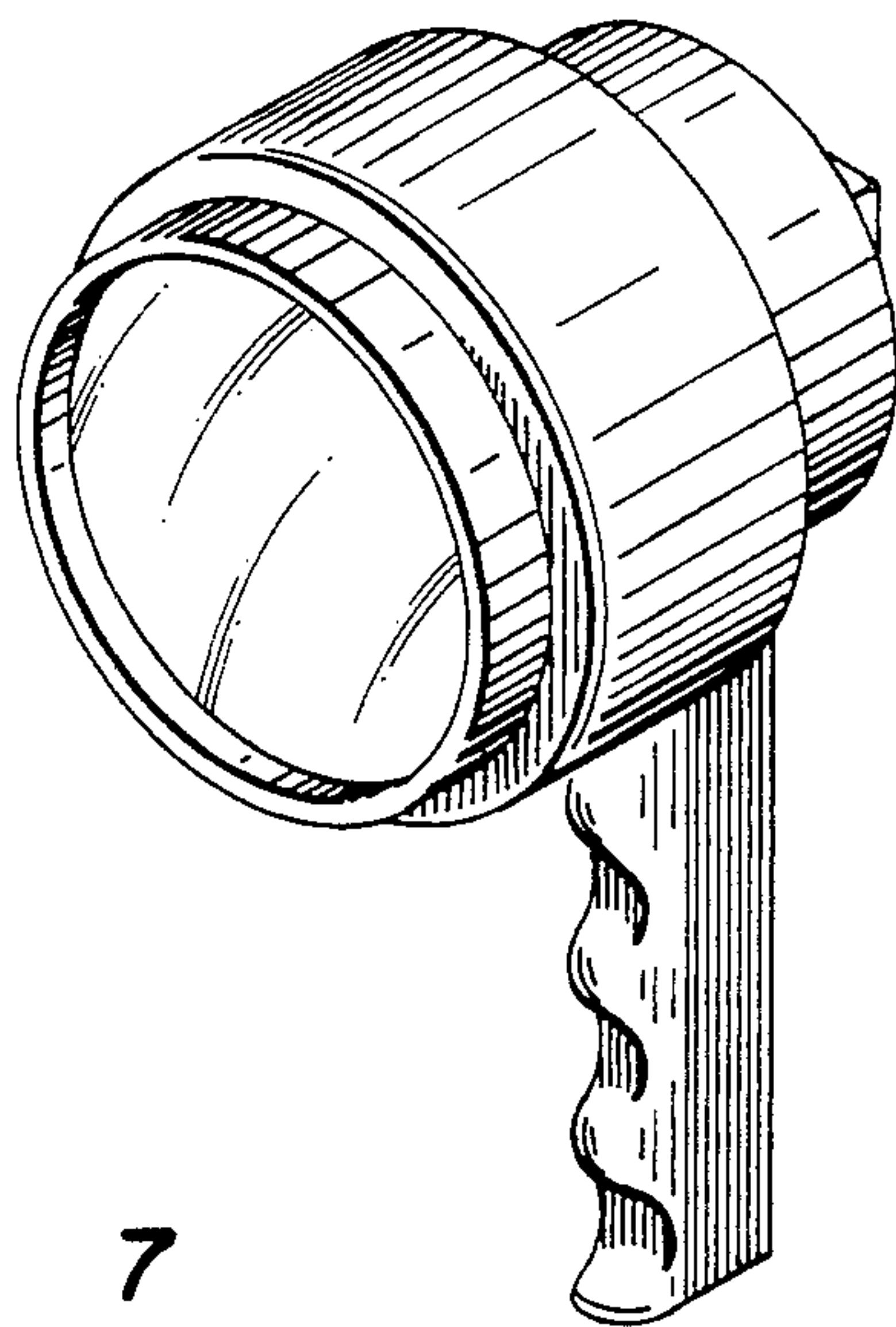


FIG. 7