

[54] **LINEAR ANASTOMOSIS SURGICAL STAPLE CARTRIDGE**
 [75] **Inventor: David T. Green, Norwalk, Conn.**
 [73] **Assignee: United States Surgical Corporation, Norwalk, Conn.**
 [**] **Term: 14 Years**
 [21] **Appl. No.: 364,910**
 [22] **Filed: Apr. 2, 1982**
 [52] **U.S. Cl. D24/26**
 [58] **Field of Search D24/26, 27, 8, 29; D8/49, 50, 51; 128/305, 334 R, 335, 337; 227/19, 76, 110, 120, 129, 156, 127, 134, DIG. 1; 72/410**

4,043,504 8/1977 Hueil et al. 227/DIG. 1
 4,415,111 11/1983 McHarrie et al. 227/19

FOREIGN PATENT DOCUMENTS

888868 12/1971 Canada .
 927936 6/1963 United Kingdom .
 173878 9/1965 U.S.S.R. .

Primary Examiner—B. J. Bullock
Assistant Examiner—Suzanne N. Gitlin
Attorney, Agent, or Firm—John E. Nathan; Stephen P. Gilbert

[57] **CLAIM**

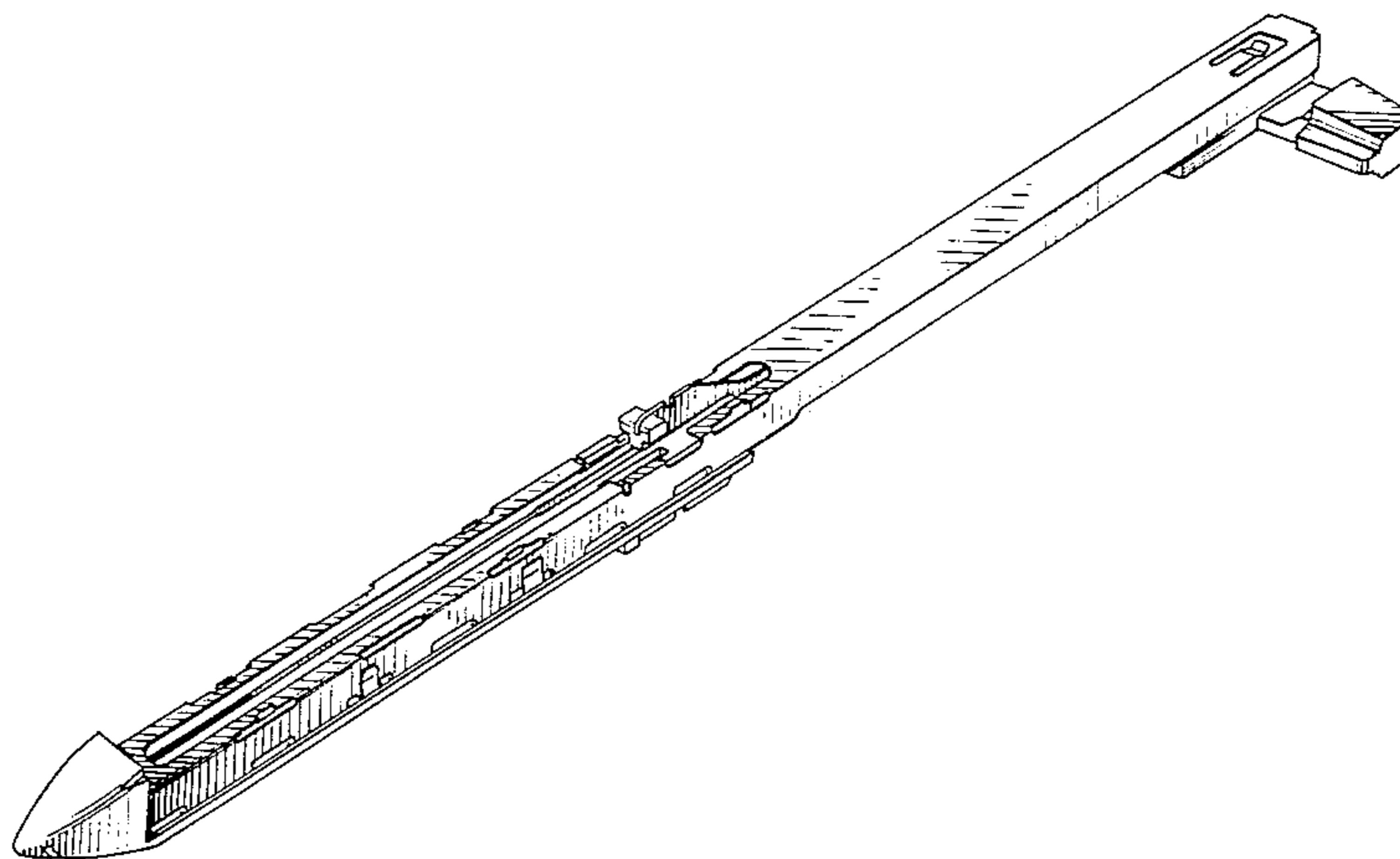
The ornamental design for a linear closure surgical staple cartridge, as shown in the accompanying drawings.

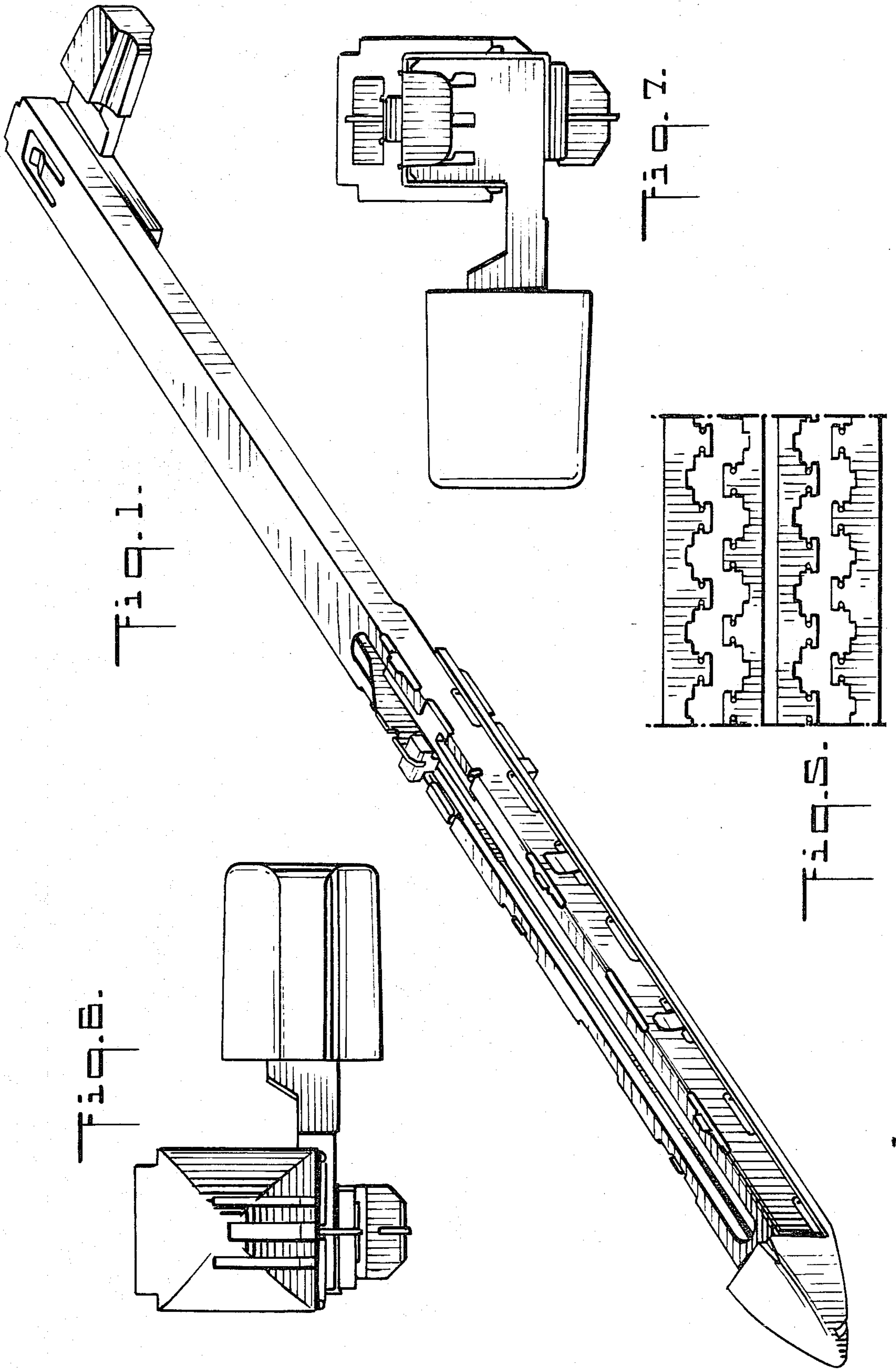
DESCRIPTION

FIG. 1 is a perspective view of a linear anastomosis surgical stapler cartridge showing my new design; FIG. 2 is a side elevational view thereof; FIG. 3 is a top plan view thereof; FIG. 4 is a bottom plan view thereof; FIG. 5 is an enlarged detail view of FIG. 4; FIG. 6 is an end elevational view thereof; FIG. 7 is an end elevational view opposite that shown in FIG. 6.

[56] **References Cited**
U.S. PATENT DOCUMENTS

D. 273,513	4/1984	Spreckelmeier	D24/26
3,079,606	3/1963	Bobrov	1/120
3,203,220	8/1965	Kaepernik	D24/26
3,482,428	12/1969	Kapitanov	72/410
3,490,675	1/1970	Green	227/19
3,499,591	3/1970	Green	227/76
3,604,561	9/1971	Mallina	227/19





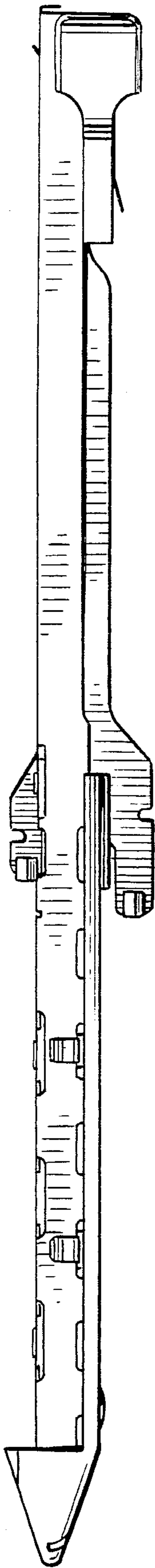


Fig. 2.

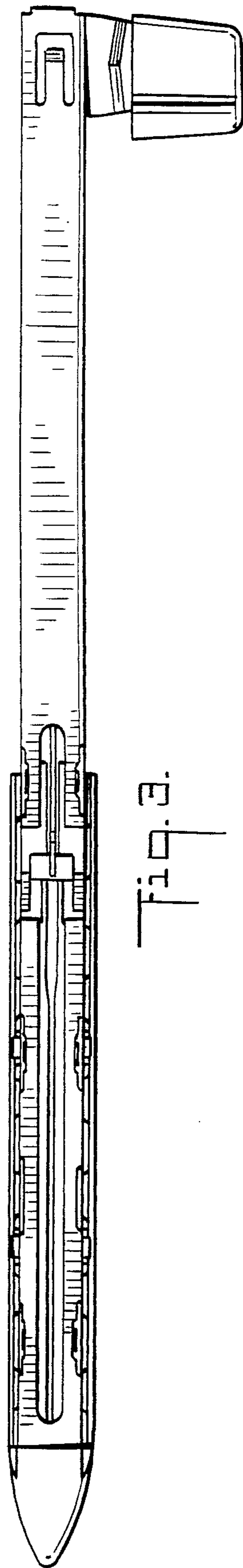


Fig. 3.

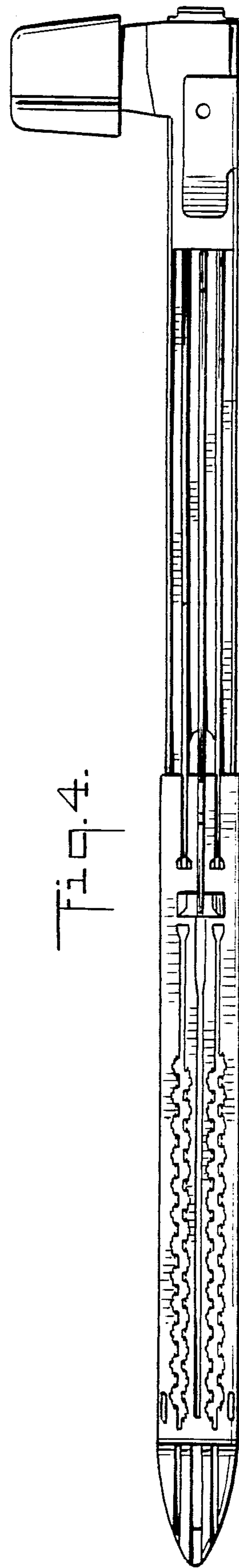


Fig. 4.