

[54] WATER CLOSET OR SIMILAR ARTICLE

[75] Inventor: Jack N. Kaiser, Danville, Ky.

[73] Assignees: American Standard Inc., New York, N.Y.; American Standard Inc., New York, N.Y.

[\*\*] Term: 14 Years

[21] Appl. No.: 346,983

[22] Filed: Feb. 8, 1982

[52] U.S. Cl. .... D23/65

[58] Field of Search ..... D23/51, 65-68; 4/252 R, 300, 329, 353, 420

[56] References Cited

U.S. PATENT DOCUMENTS

D. 199,049	9/1964	Kaiser	.....	D23/67
D. 221,652	8/1971	Harvey	.....	D23/67
D. 250,202	11/1978	Doman et al.	.....	D23/65
D. 261,797	11/1981	Kaiser	.....	D23/51
D. 262,647	1/1982	Kaiser	.....	D23/65
D. 264,620	5/1982	Kaiser	.....	D23/65
D. 268,780	4/1983	Doman et al.	.....	D23/65
D. 271,326	11/1983	Doman et al.	.....	D23/65

4,041,554	8/1977	Gregory	.....	4/420
4,162,548	7/1979	Groombridge et al.	.....	4/300

Primary Examiner—James R. Largen  
Attorney, Agent, or Firm—James J. Salerno, Jr.; Robert G. Crooks; John P. Sinnott

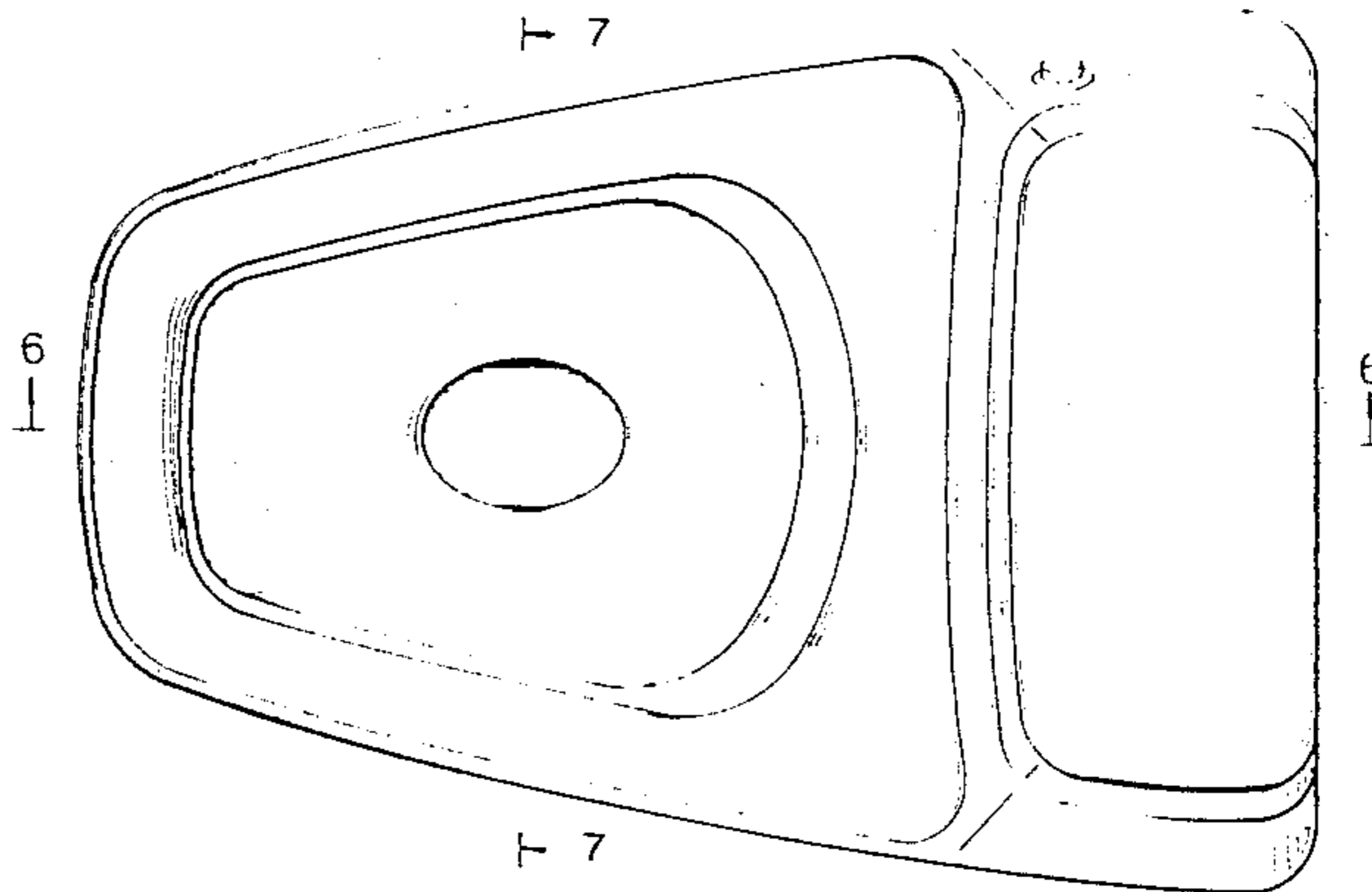
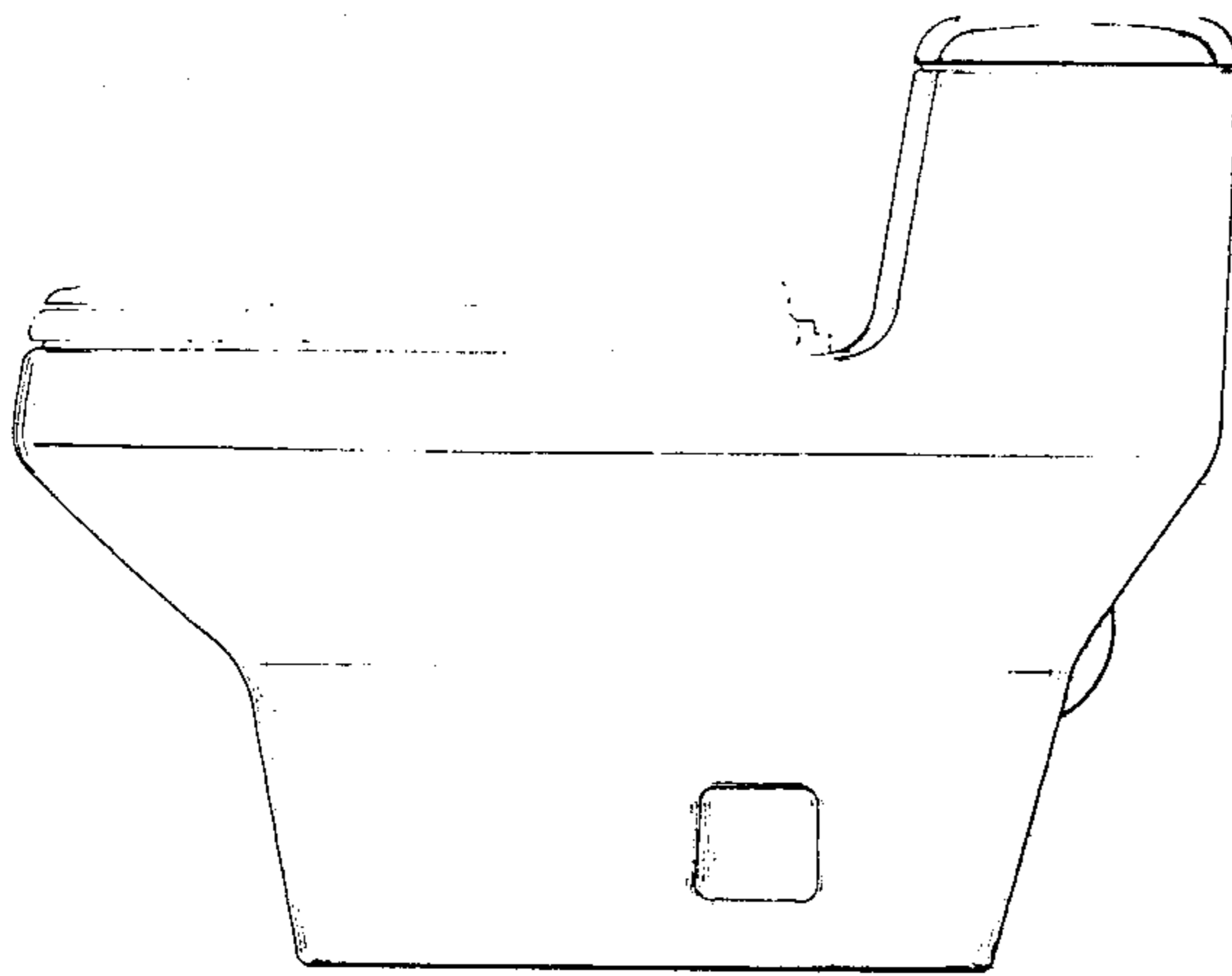
[57] CLAIM

The ornamental design for a water closet or similar article, substantially as shown and described.

DESCRIPTION

FIG. 1 is a right side elevational view of a water closet or similar article embodying my new design, the left side being a mirror image of the right side shown; FIG. 2 is a front elevational view thereof; FIG. 3 is a top plan view thereof; FIG. 4 is a rear elevational view thereof; FIG. 5 is a bottom plan view thereof; FIG. 6 is a cross sectional view taken on line 6—6 of FIG. 3; and FIG. 7 is a cross sectional view taken on line 7—7 of FIG. 3.

The broken line showing of a toilet seat in FIG. 1 is for purposes of illustration only and forms no part of the claimed design.



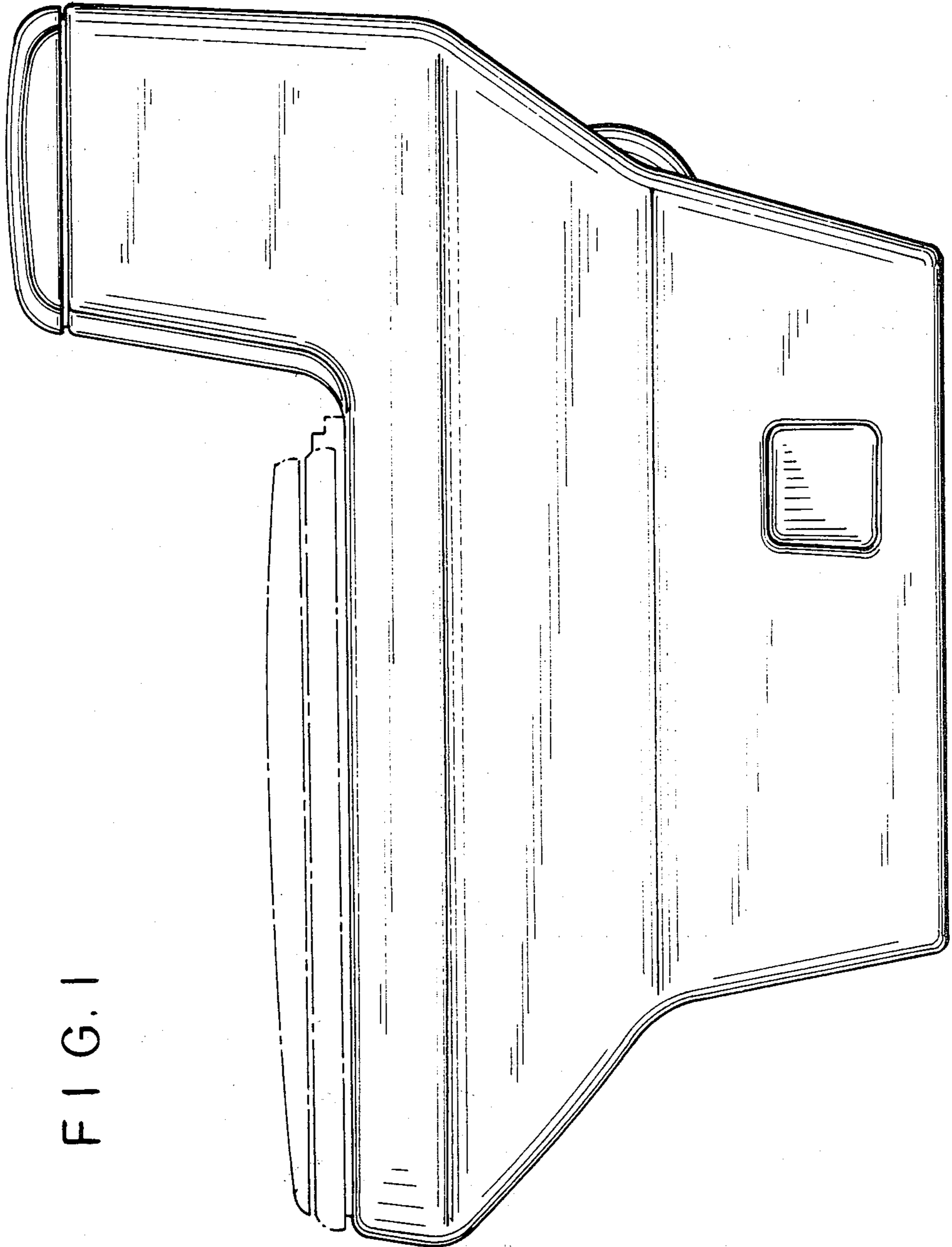
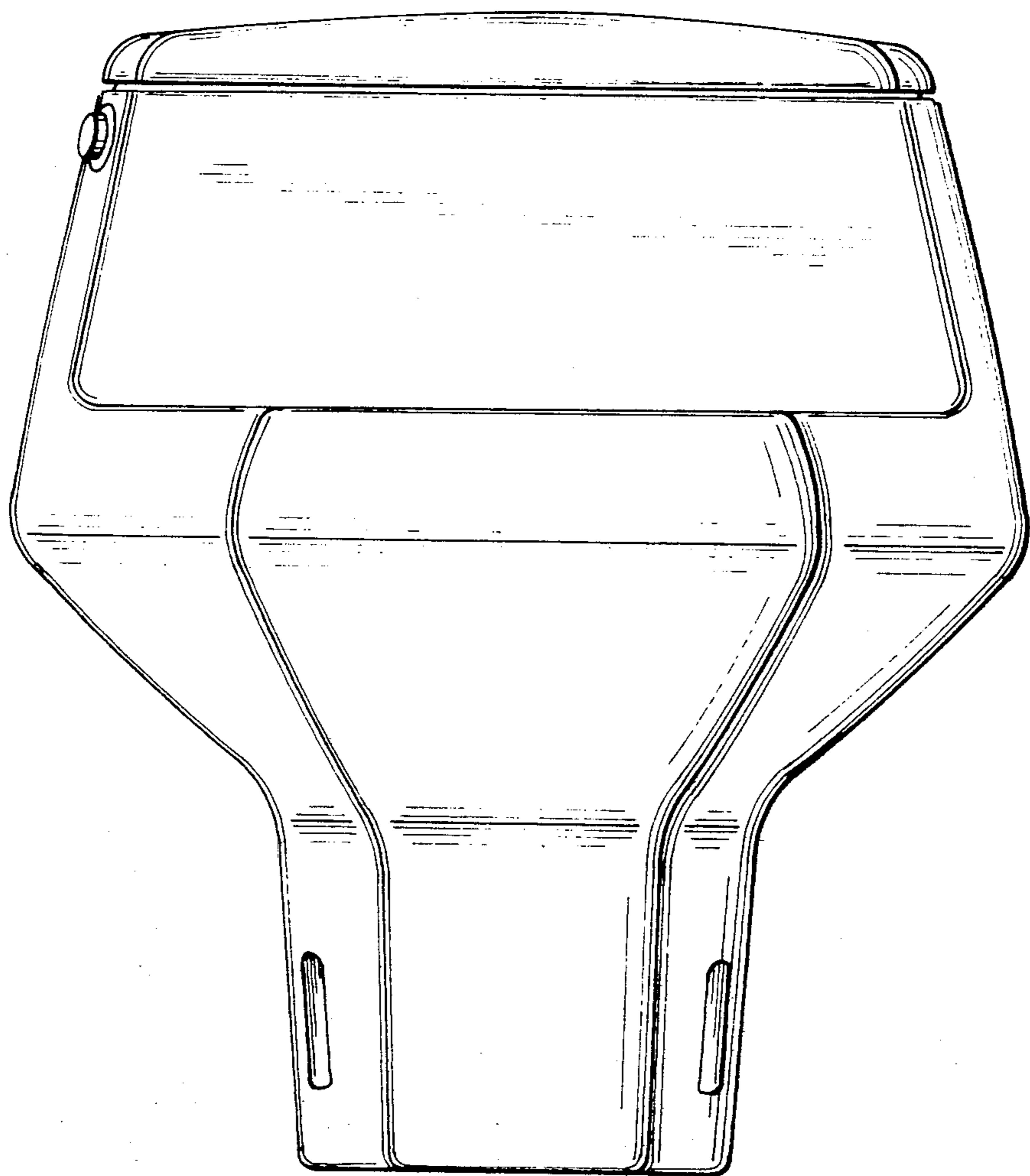


FIG. 1

FIG. 2



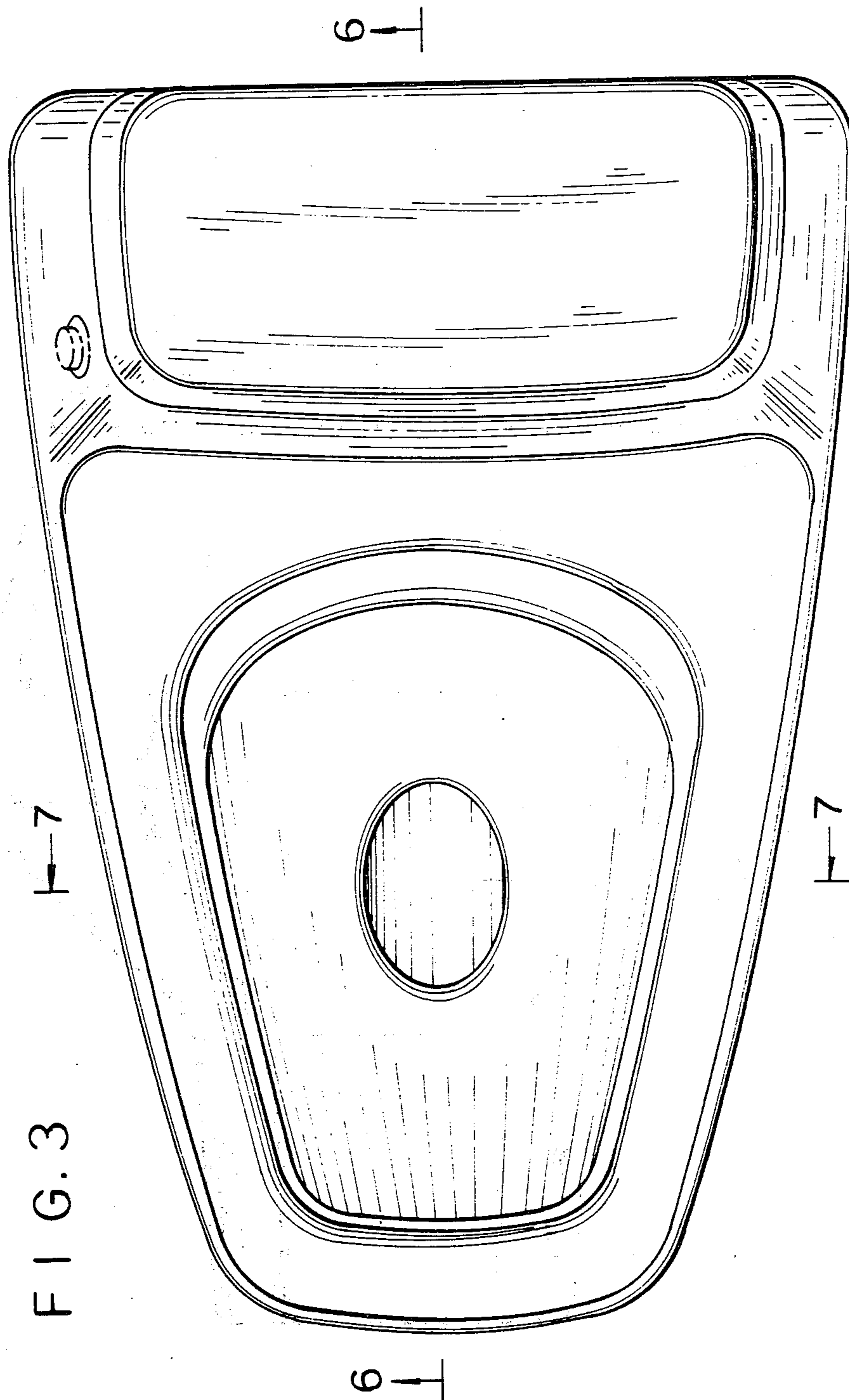
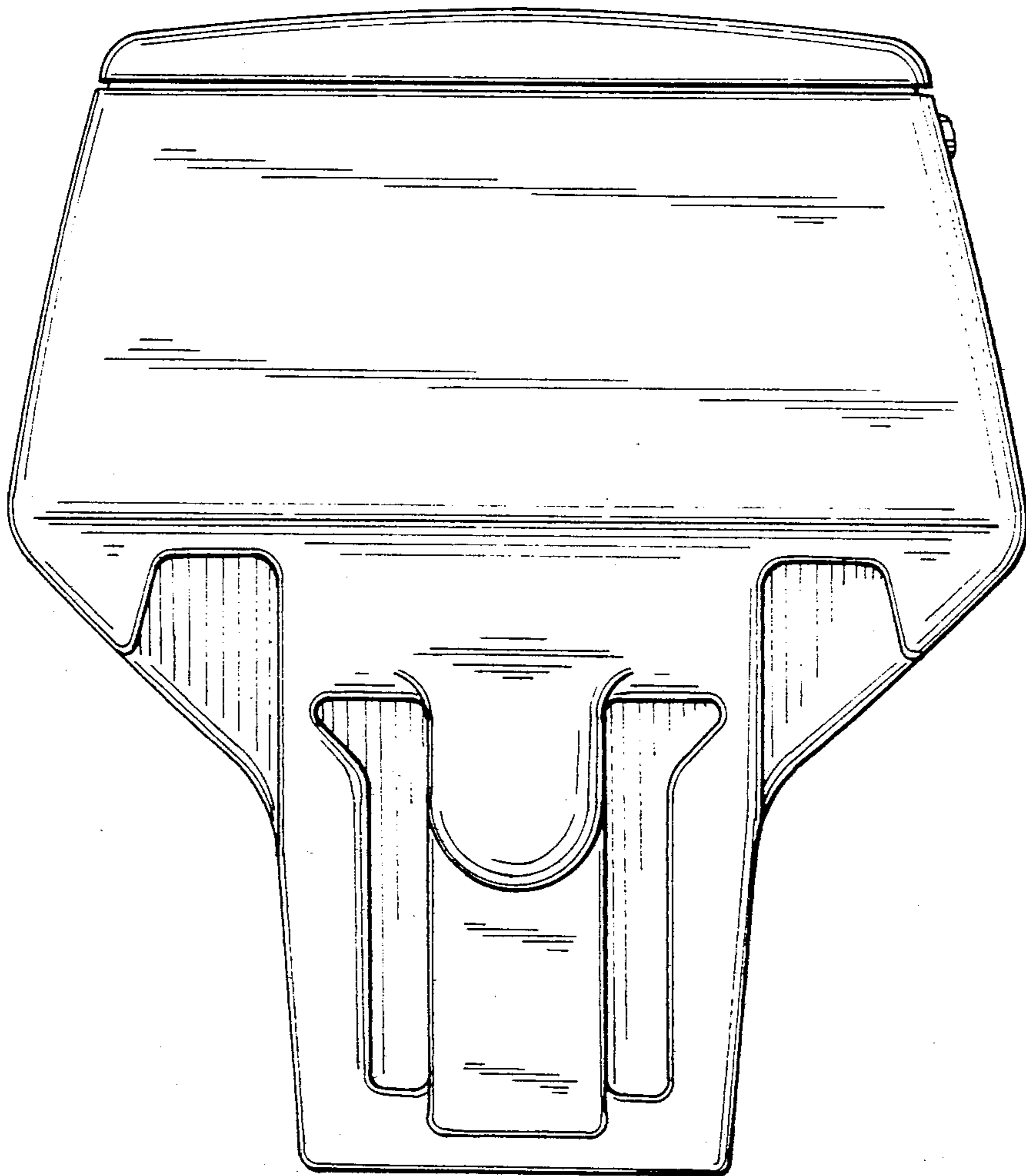


FIG. 4





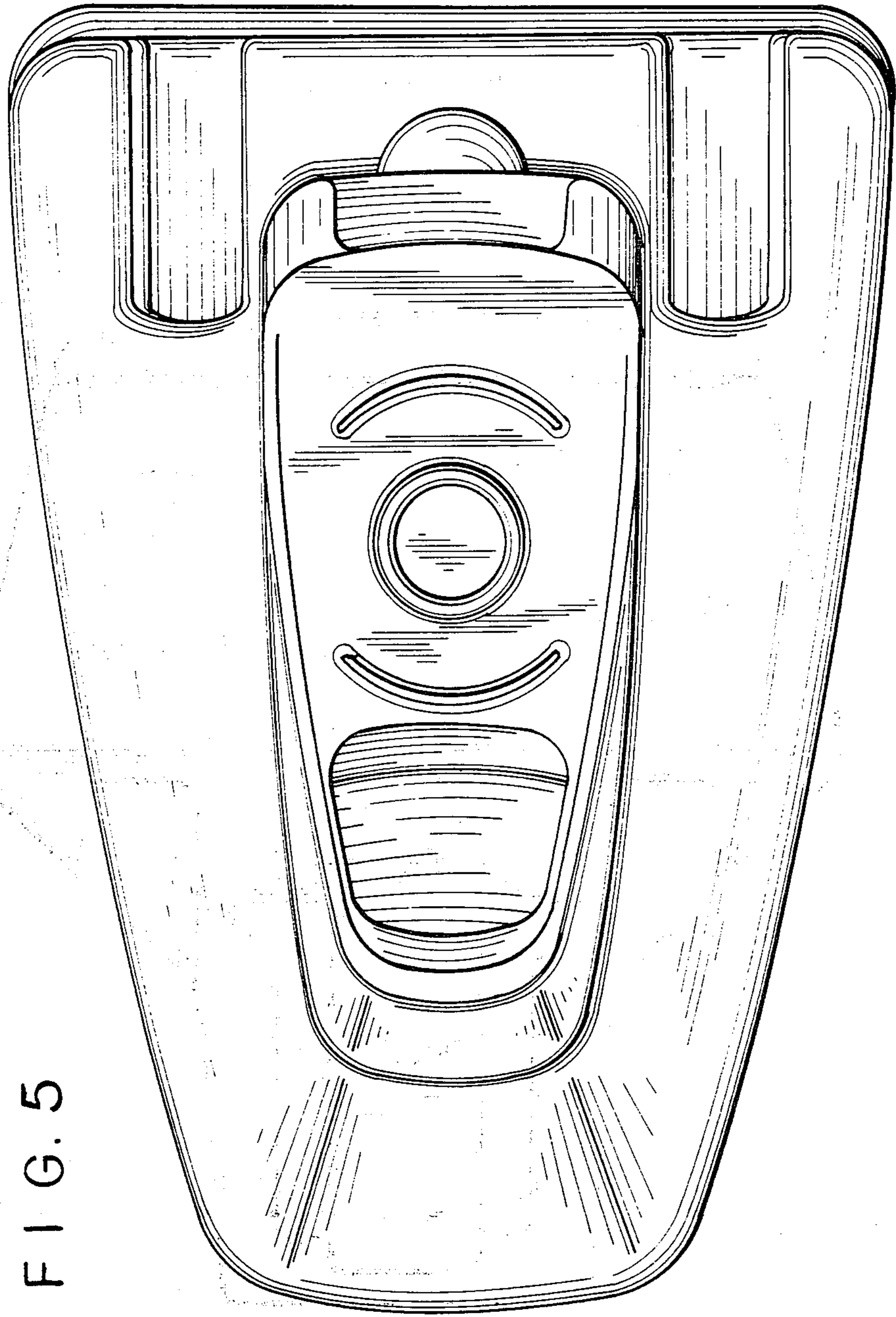


FIG. 5

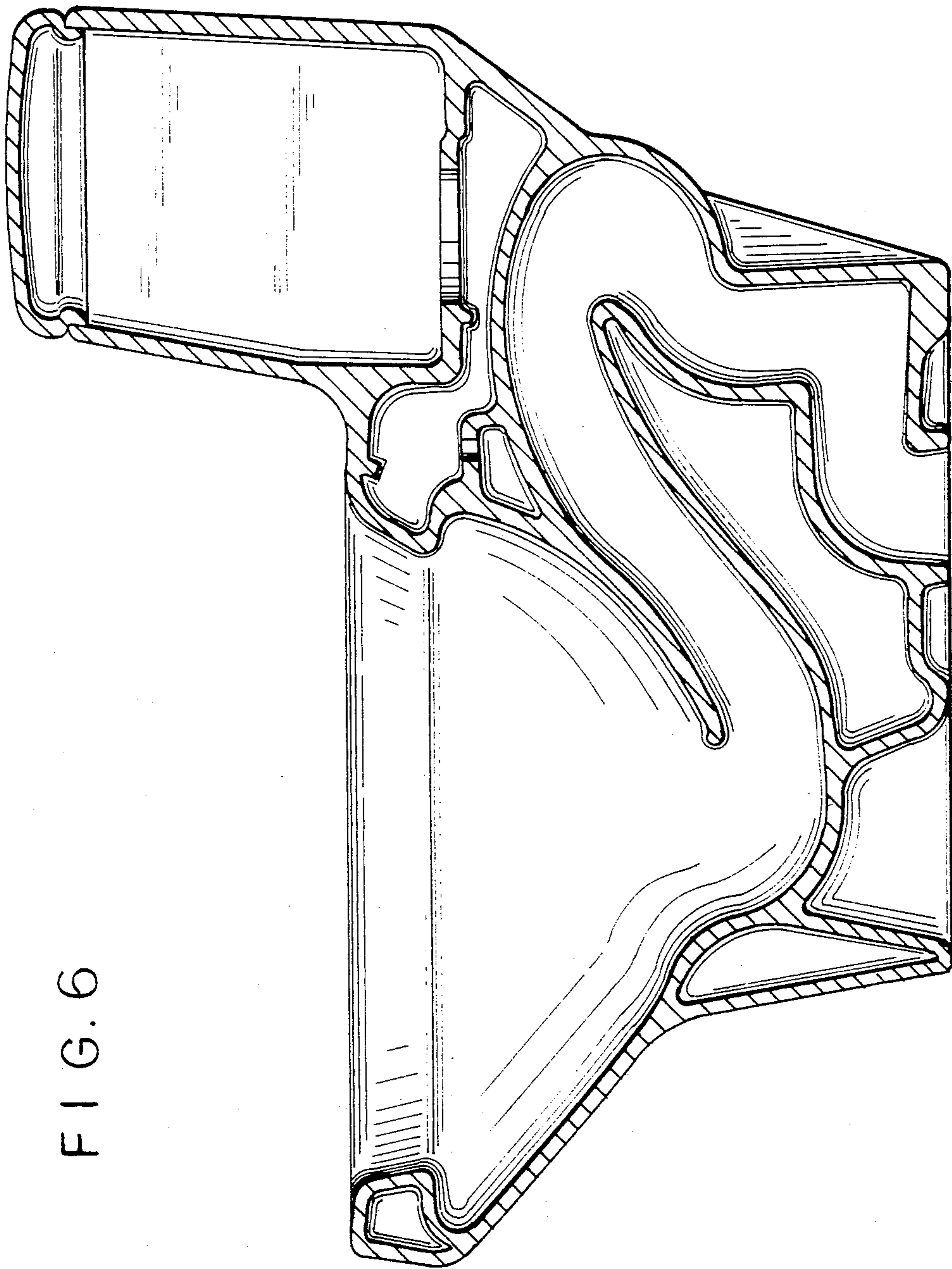


FIG. 6

FIG. 7

