

United States Patent [19]

Dryden

[11] Patent Number: **Des. 278,075**

[45] Date of Patent: **** Mar. 19, 1985**

[54] **PLANT IRRIGATOR**

[76] Inventor: **Darwin E. Dryden**, 4304 S. Eucluytus Ave., Tulsa, Okla. 74133

[**] Term: **14 Years**

[21] Appl. No.: **365,878**

[22] Filed: **Apr. 5, 1982**

[52] U.S. Cl. **D23/1; 47/48.5**

[58] Field of Search **D23/1, 5-13; 47/48.5, 79; 239/268, 279, 542; 405/36, 43, 44, 45**

903,452	11/1908	Cleveland	47/48.5
1,029,107	6/1912	Couls	47/48.5
2,105,800	1/1938	Watkins	405/44
2,909,328	10/1959	Babyak	239/236
4,087,938	5/1978	Koch	47/48.5
4,300,309	11/1981	Mincy	47/48.5

Primary Examiner—James R. Largen
Attorney, Agent, or Firm—Head, Johnson & Stevenson

[57] **CLAIM**

The ornamental design of plant irrigator, as shown and described.

DESCRIPTION

FIG. 1 is a perspective view taken from the top, front and right side of a plant irrigator showing my new design;

FIG. 2 is a top plan view thereof;

FIG. 3 is a bottom plan view thereof;

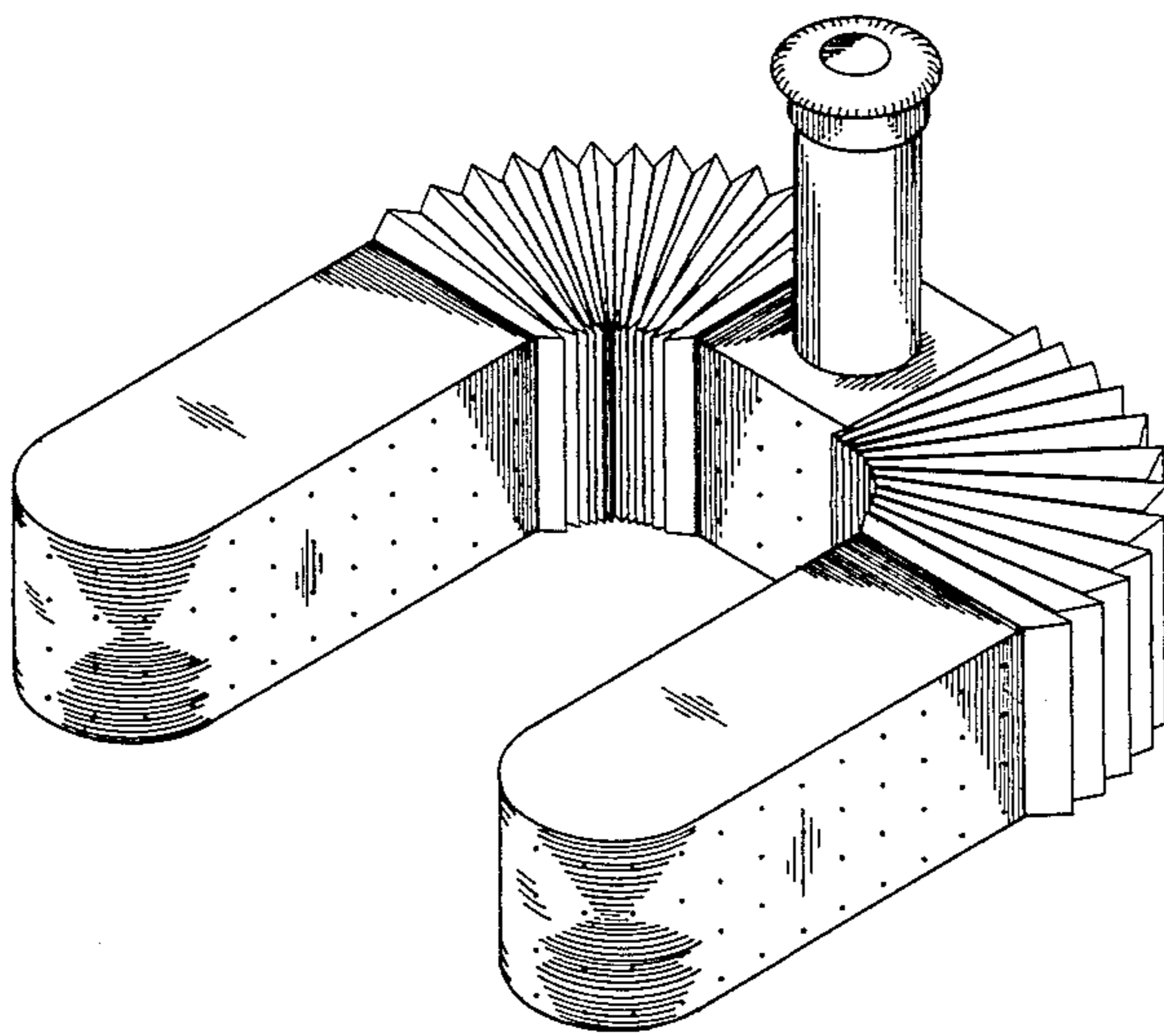
FIG. 4 is a left side elevational view thereof; and

FIG. 5 is a front elevational view thereof.

[56] **References Cited**

U.S. PATENT DOCUMENTS

D. 158,596	5/1950	Laek	D23/1
D. 204,288	4/1966	Cefaldo	D23/1
D. 253,224	10/1979	Roehrich	D23/1
584,886	6/1897	Mead	47/48.5
666,072	1/1901	Sherman	47/48.5



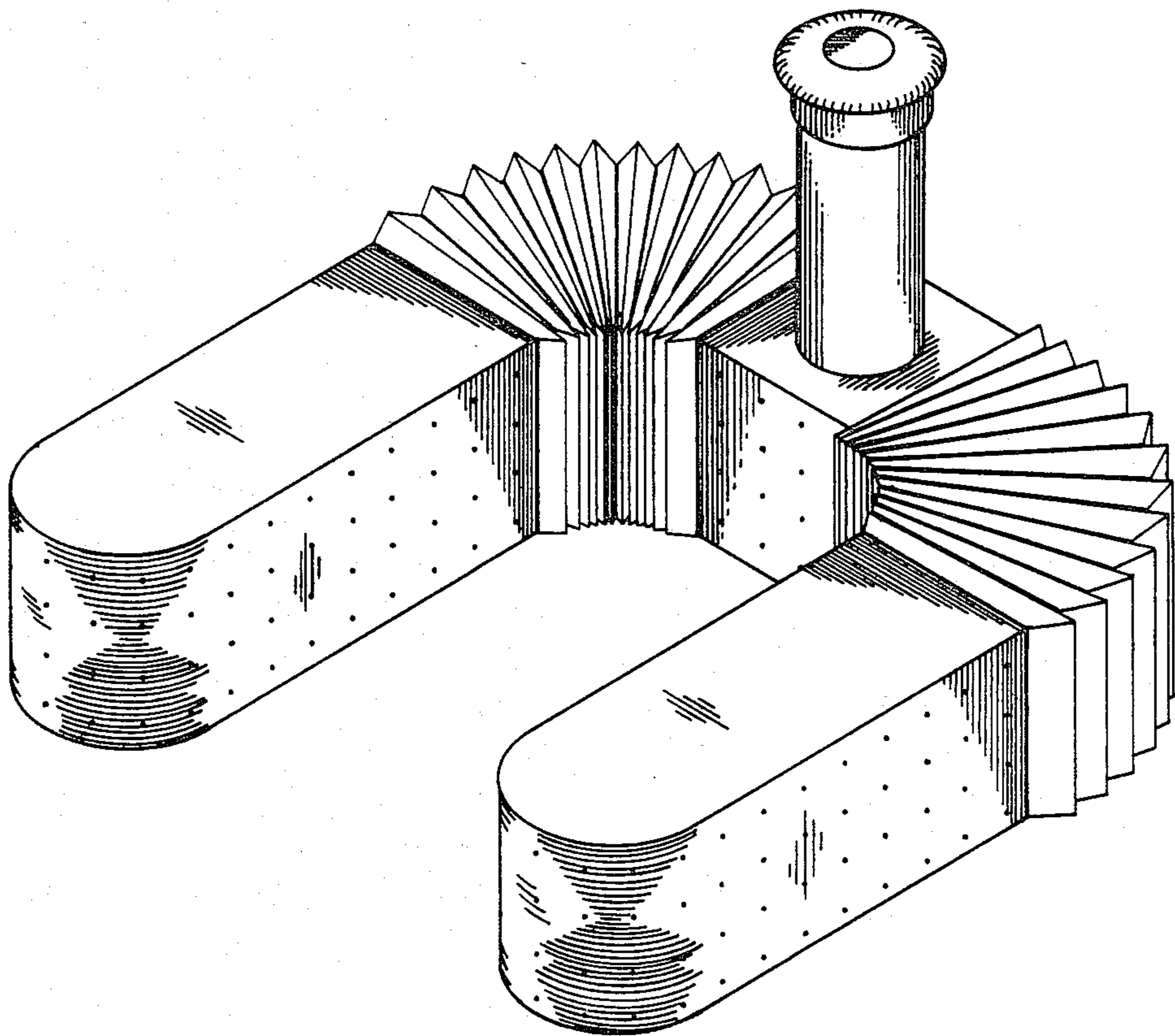


Fig. 1.

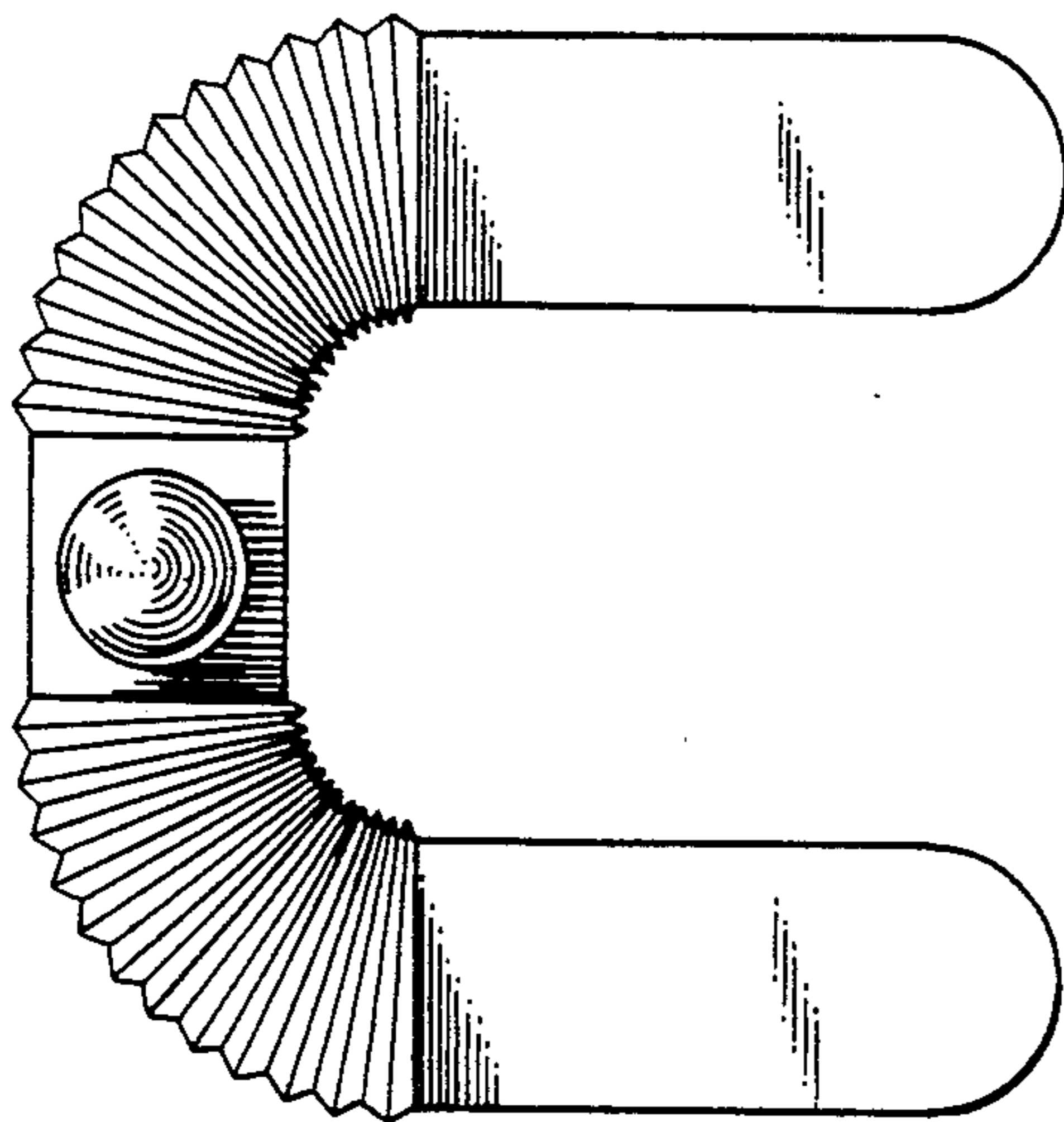


Fig. 2.

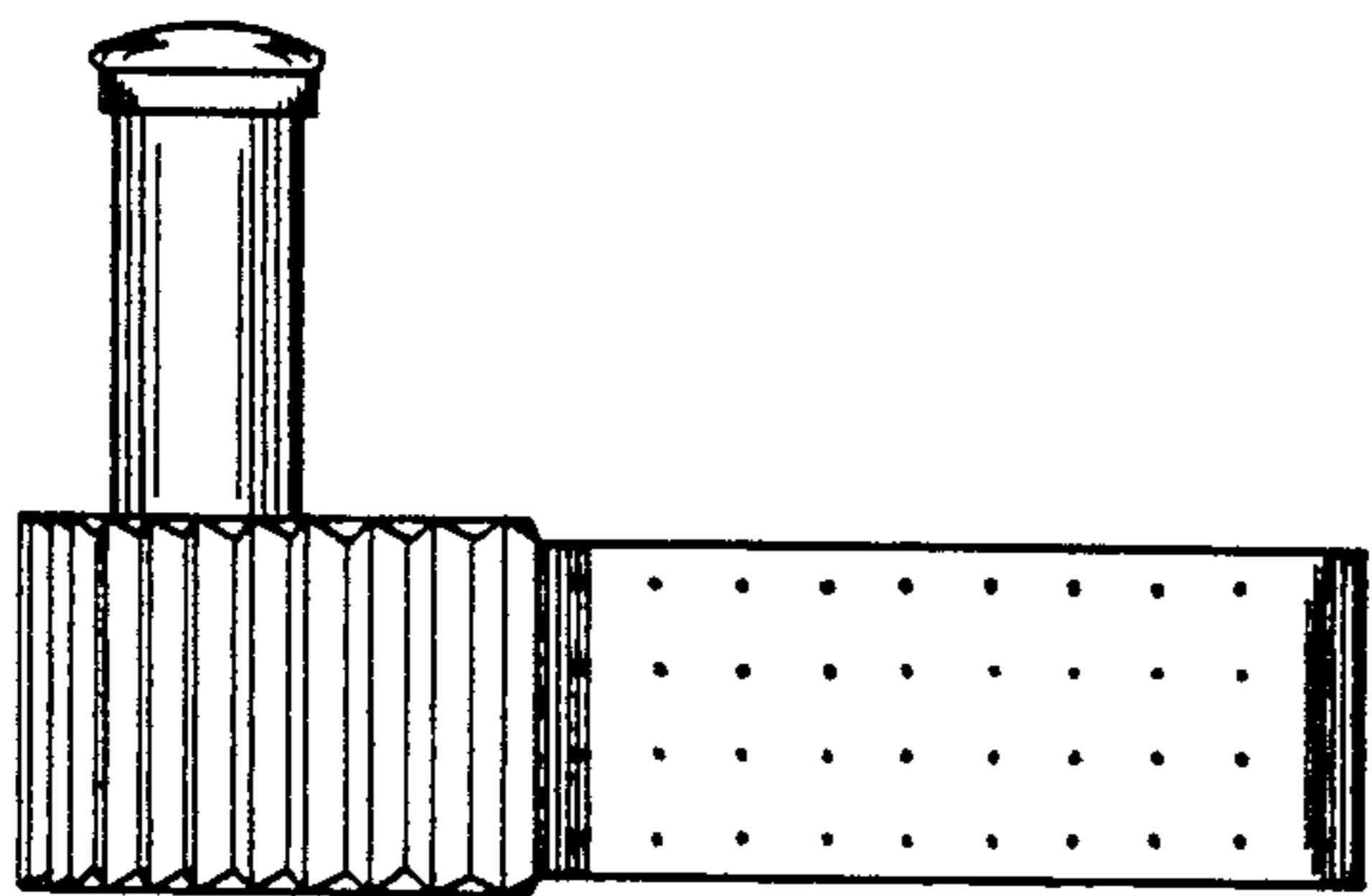


Fig. 4.

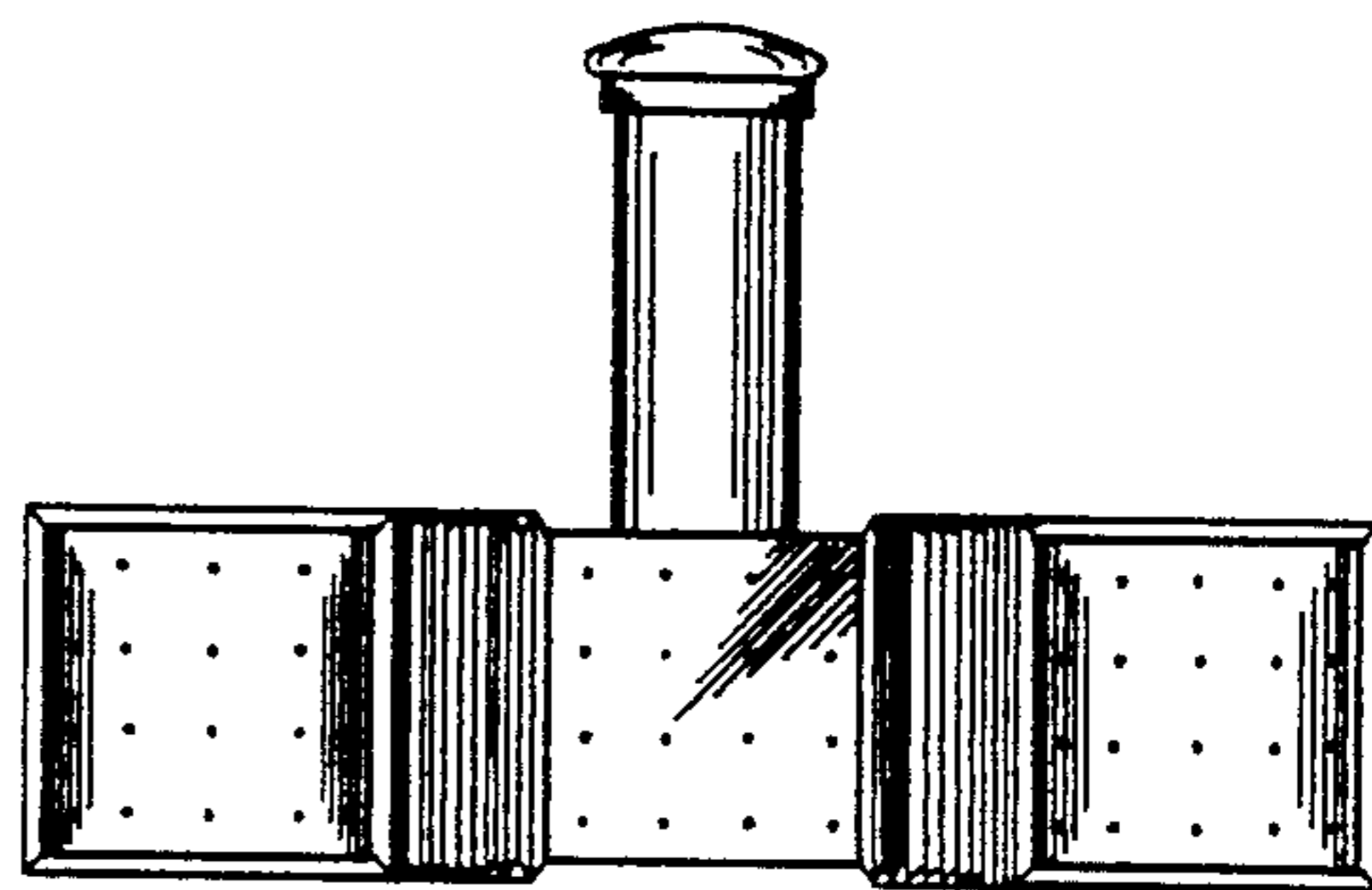


Fig. 5.

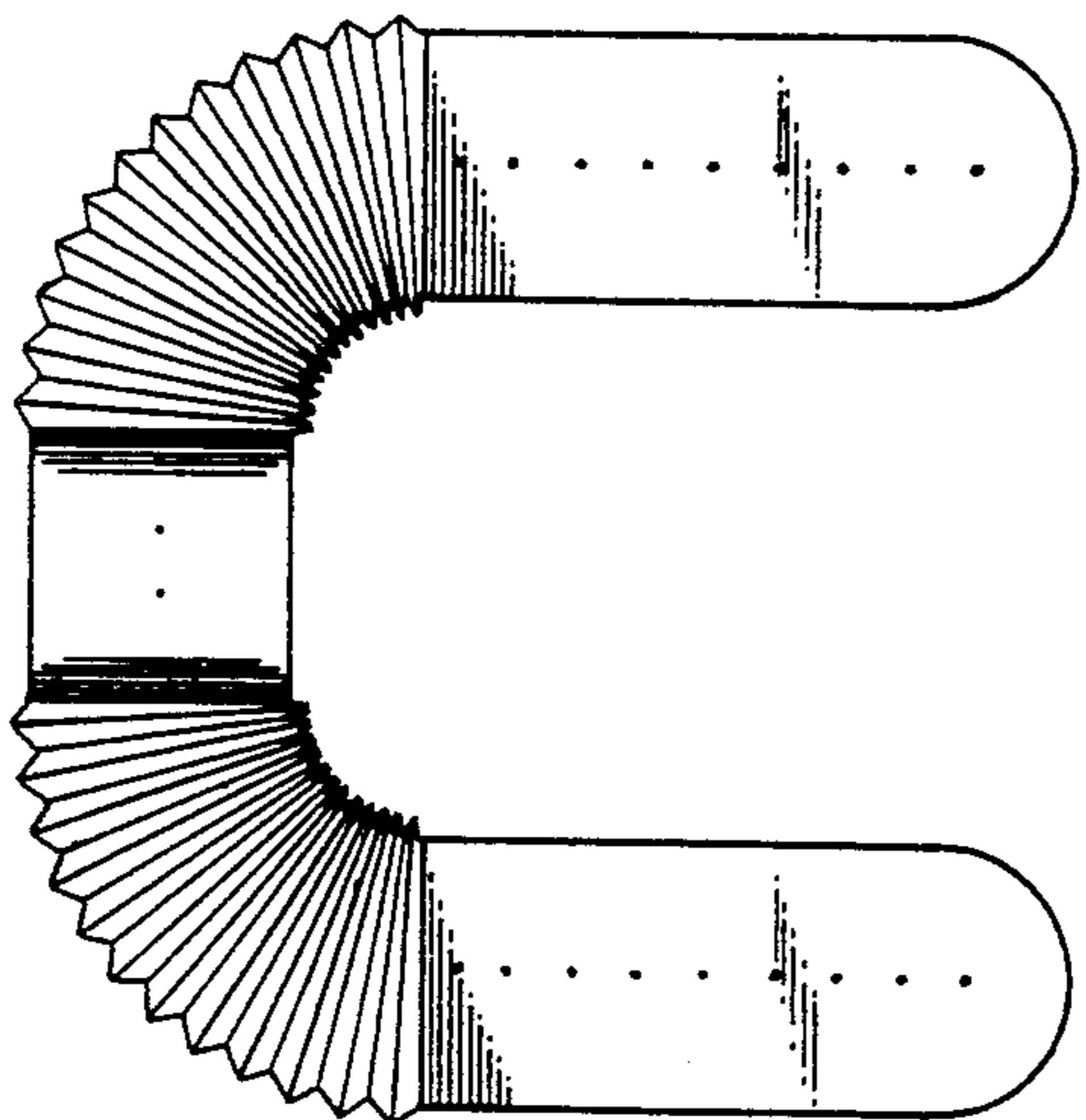


Fig. 3.