

[54] **ACTIVITY TOY**

[75] Inventor: Erik P. Tapdrup, Virum, Denmark

[73] Assignee: Interlego A.G., Baar, Switzerland

[**] Term: 14 Years

[21] Appl. No.: 387,281

[22] Filed: Jun. 11, 1982

[52] U.S. Cl. D21/59

[58] Field of Search D21/59, 64, 65, 92;
46/1 R, 1 A, 41, 91, 92

[56] **References Cited**

U.S. PATENT DOCUMENTS

- D. 142,325 8/1945 Judd D21/92
- D. 209,767 1/1968 Kohner et al. D21/59
- D. 236,141 7/1975 Snyder D21/59

D. 249,977 10/1978 Kilander D21/59

Primary Examiner—Charles A. Rademaker
Attorney, Agent, or Firm—Kane, Dalsimer, Kane,
Sullivan and Kurucz

[57] **CLAIM**

The ornamental design for activity toy, as shown and described.

DESCRIPTION

FIG. 1 is a perspective view of an activity toy showing my new design;

FIG. 2 is a front elevational view thereof, the side opposite being substantially identical;

FIG. 3 is a side elevational view thereof, the side opposite being substantially identical;

FIG. 4 is a top plan view thereof; and,

FIG. 5 is a bottom plan view thereof.

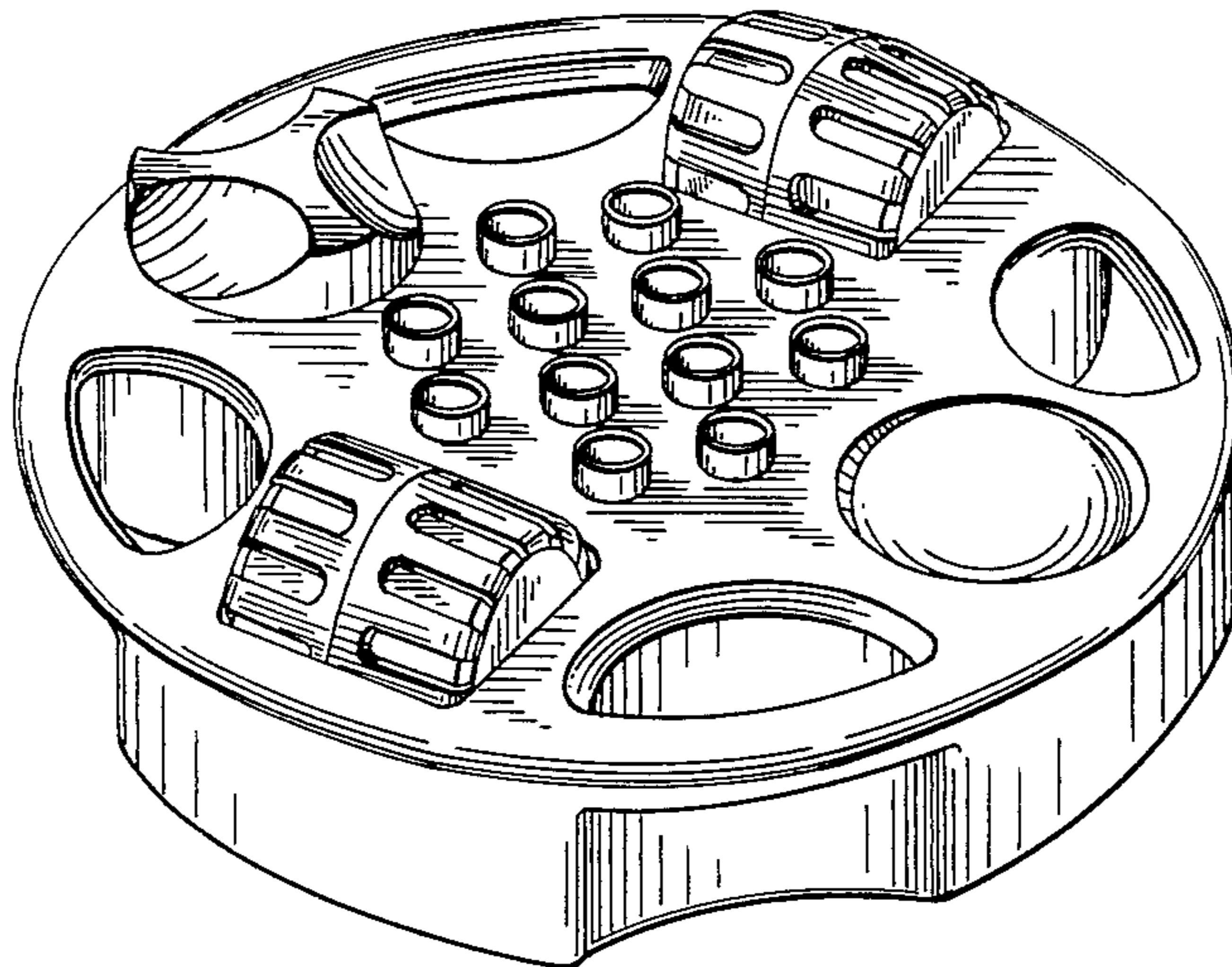


FIG. 1

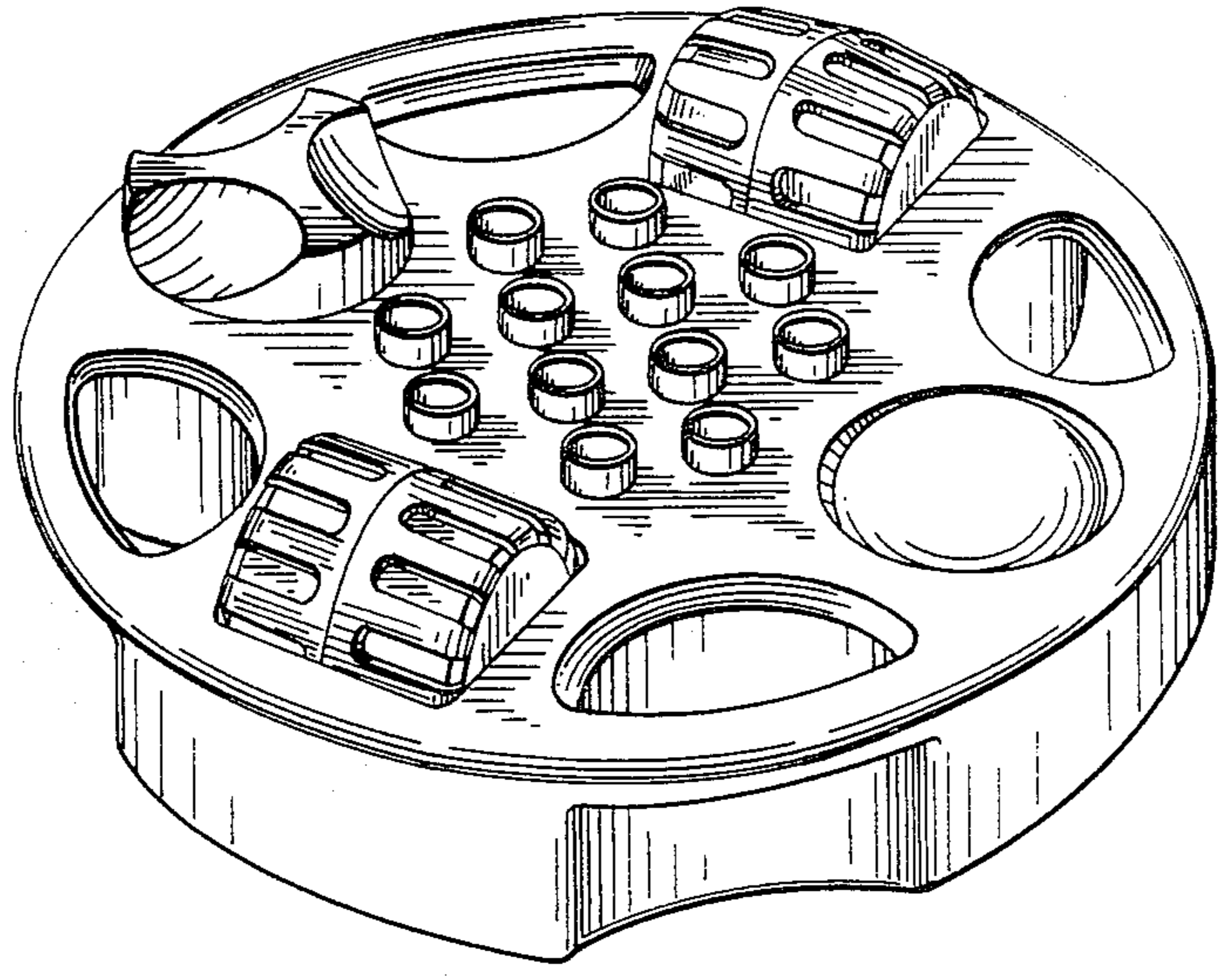


FIG. 2

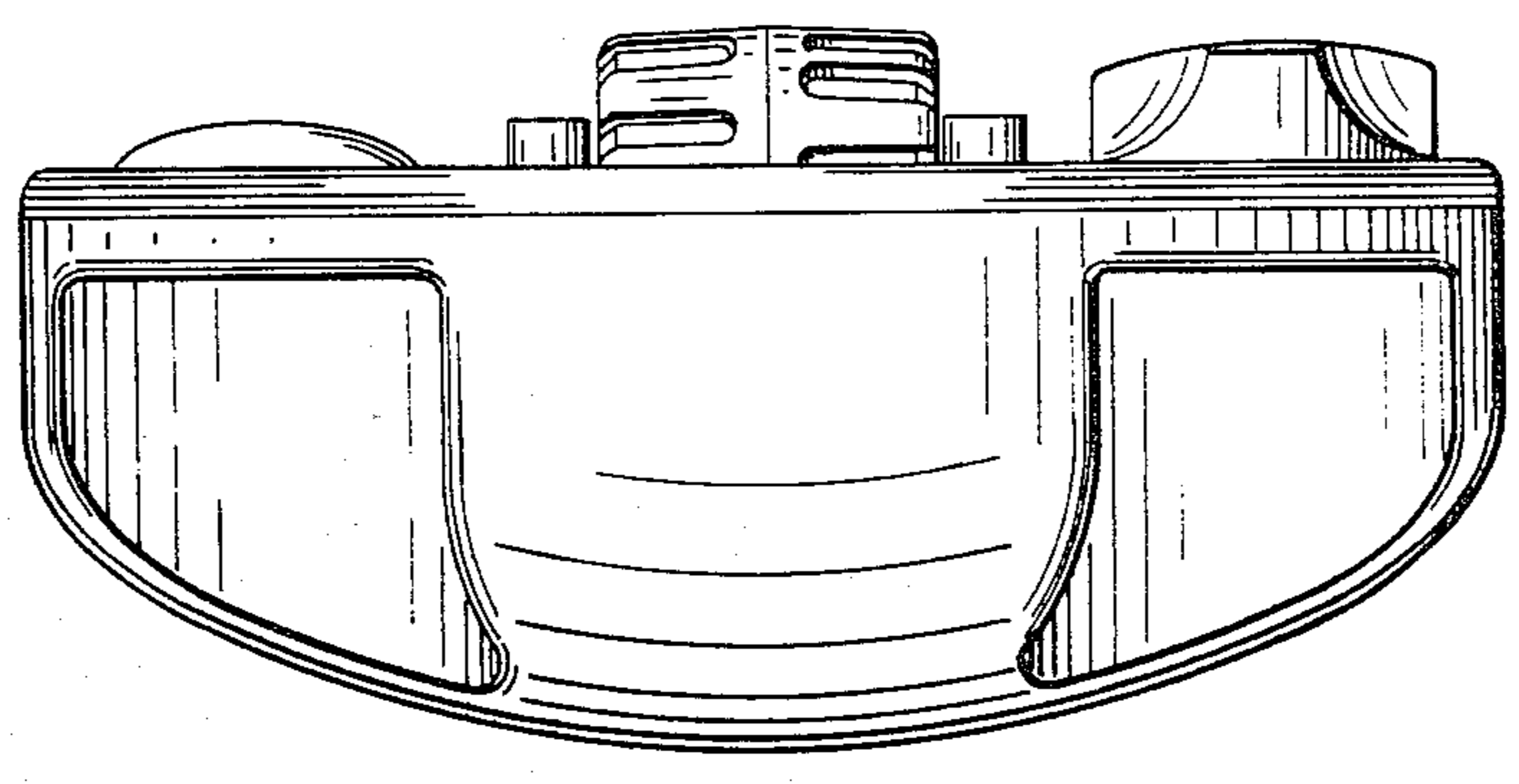


FIG. 3

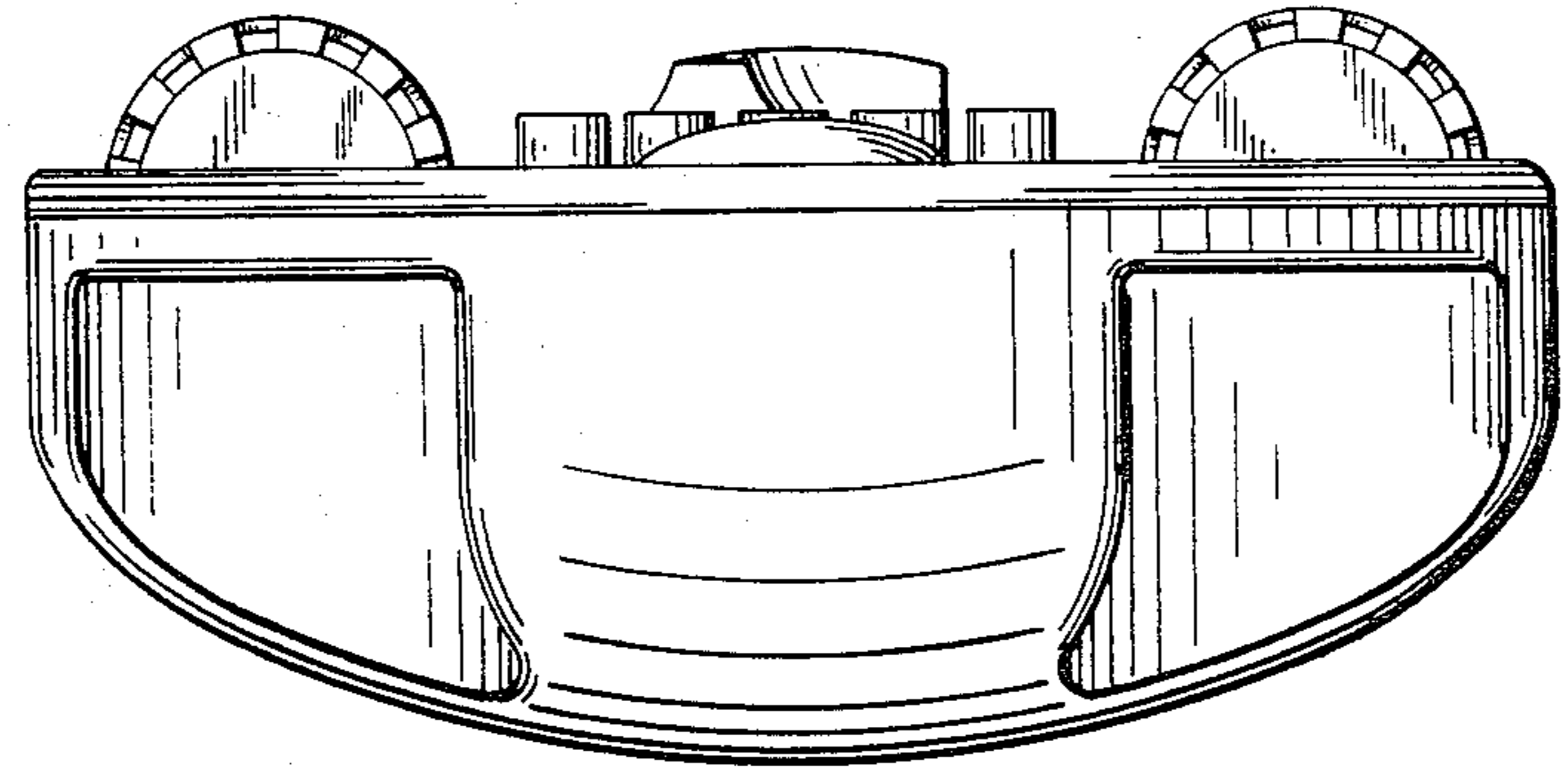


FIG. 4

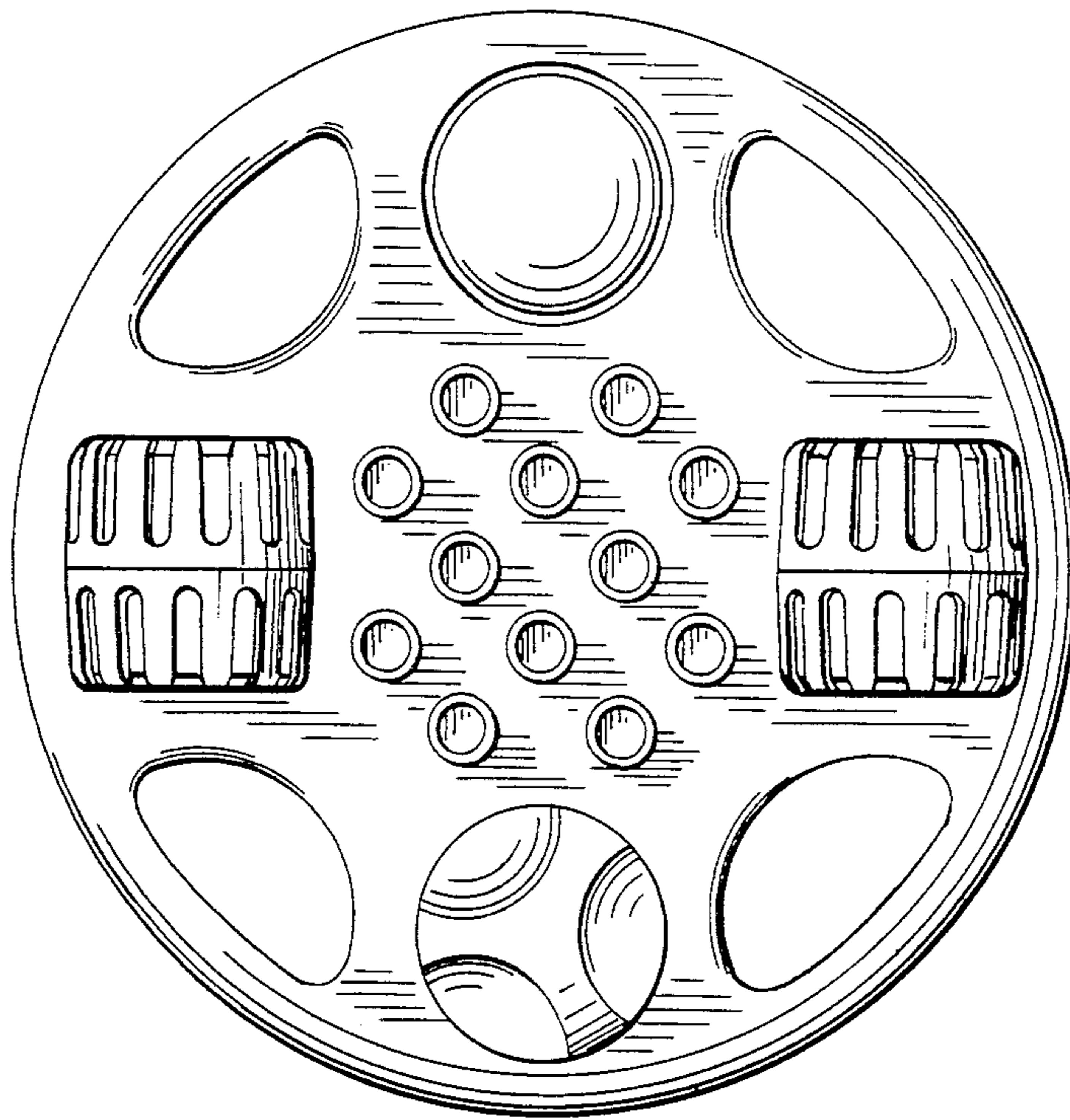


FIG. 5

