

[54] VIBRATO TAIL PIECE

[76] Inventor: Dewey L. Bowen, 1053 Eighth Ave., San Diego, Calif. 92101

[\*\*] Term: 14 Years

[21] Appl. No.: 436,967

[22] Filed: Dec. 30, 1982

[52] U.S. Cl. .... D17/14; 84/267

[58] Field of Search ..... D17/21; 84/299, 298, 84/267, 313, 291, 1.16

[56] References Cited

U.S. PATENT DOCUMENTS

D. 196,530	10/1963	Burns	.....	D17/21
D. 262,292	12/1981	Carson	.....	D17/21
D. 268,845	5/1983	Fender	.....	D17/21
2,972,923	2/1961	Fender	.....	84/267
3,142,221	7/1964	Boyd	.....	84/267
3,252,368	5/1966	Jeffery et al.	.....	84/1.16

FOREIGN PATENT DOCUMENTS

1199679 8/1968 United Kingdom ..... 84/313

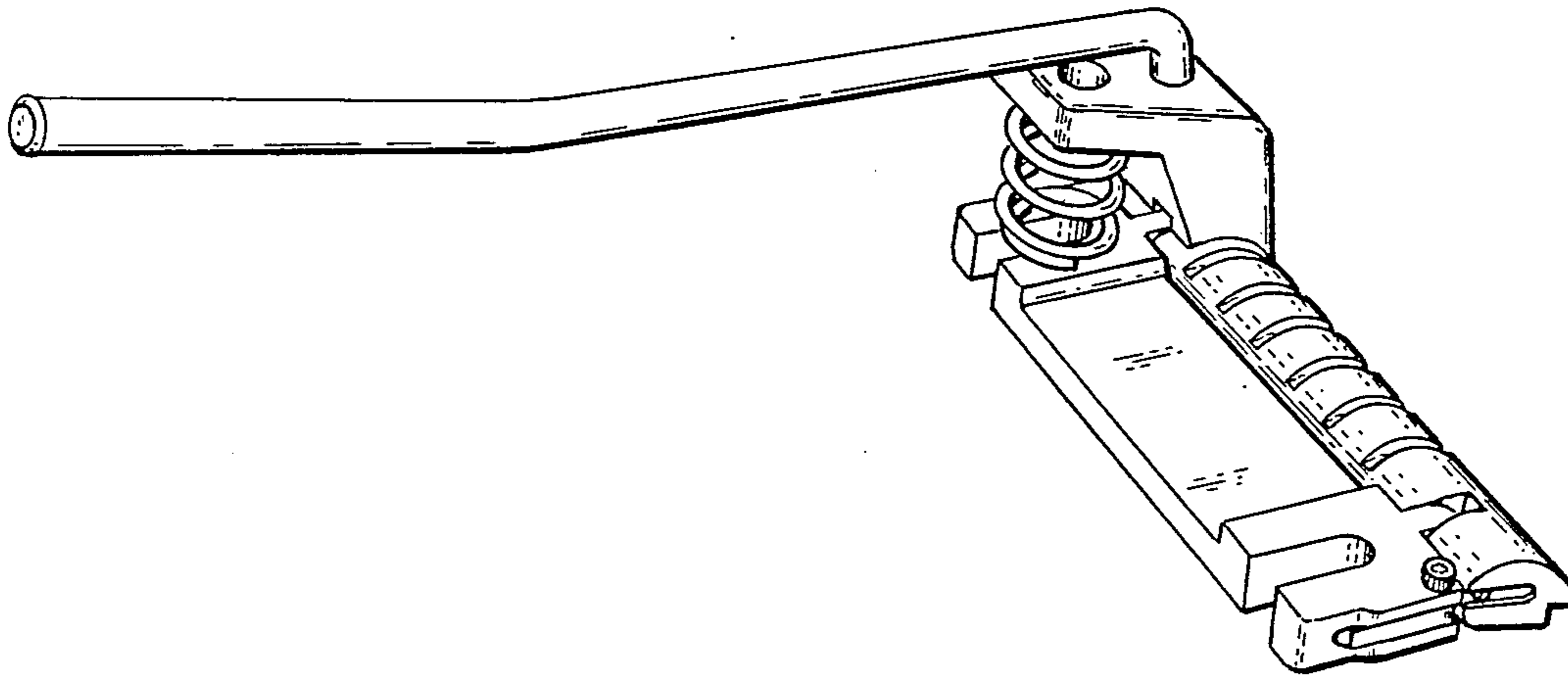
Primary Examiner—Bernard Ansher  
Assistant Examiner—Terry Pfeffer  
Attorney, Agent, or Firm—John L. Haller

[57] CLAIM

The ornamental design for a vibrato tail piece, as shown and described.

DESCRIPTION

FIG. 1 is a perspective view of a vibrato tail piece showing my new design;  
FIG. 2 is a top plan view thereof;  
FIG. 3 is a right side elevational view thereof;  
FIG. 4 is a left side elevational view thereof;  
FIG. 5 is a frontal plan thereof;  
FIG. 6 is a rear plan view thereof; and  
FIG. 7 is a bottom view thereof.



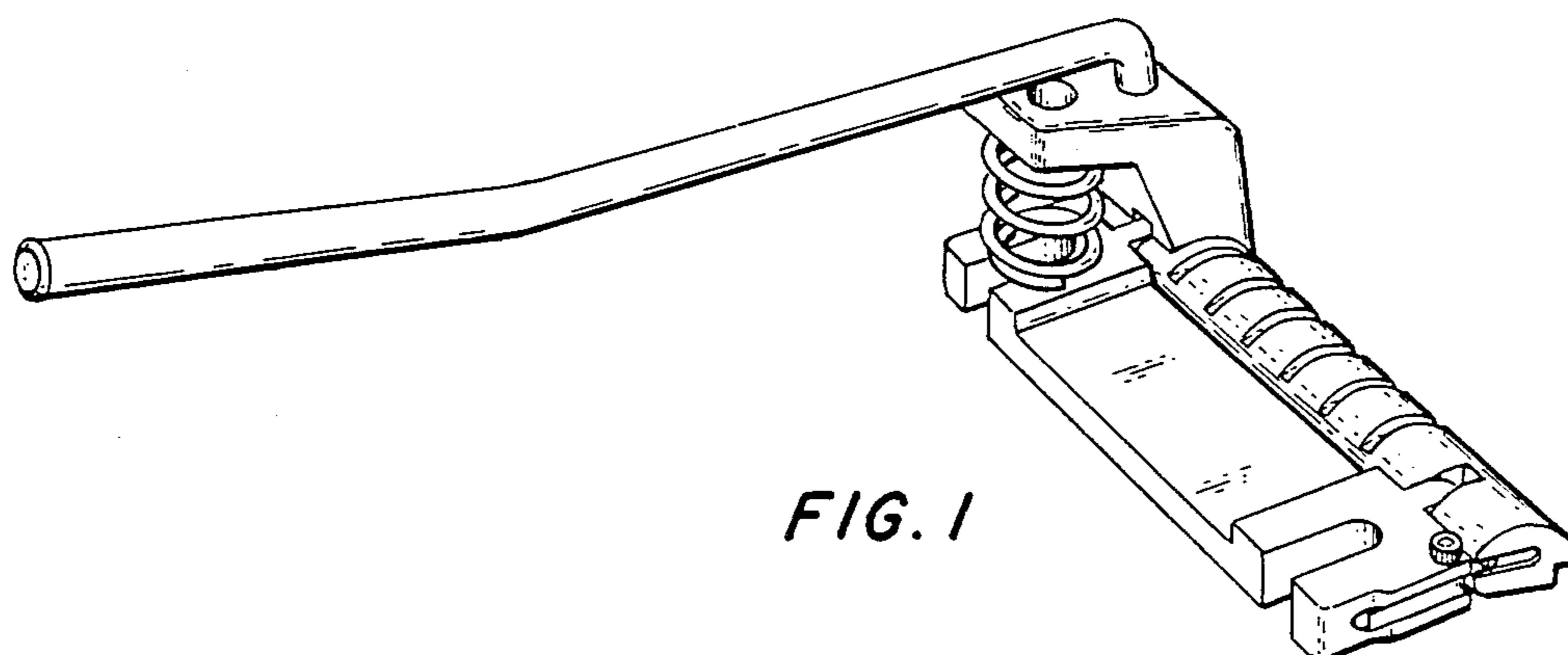


FIG. 1

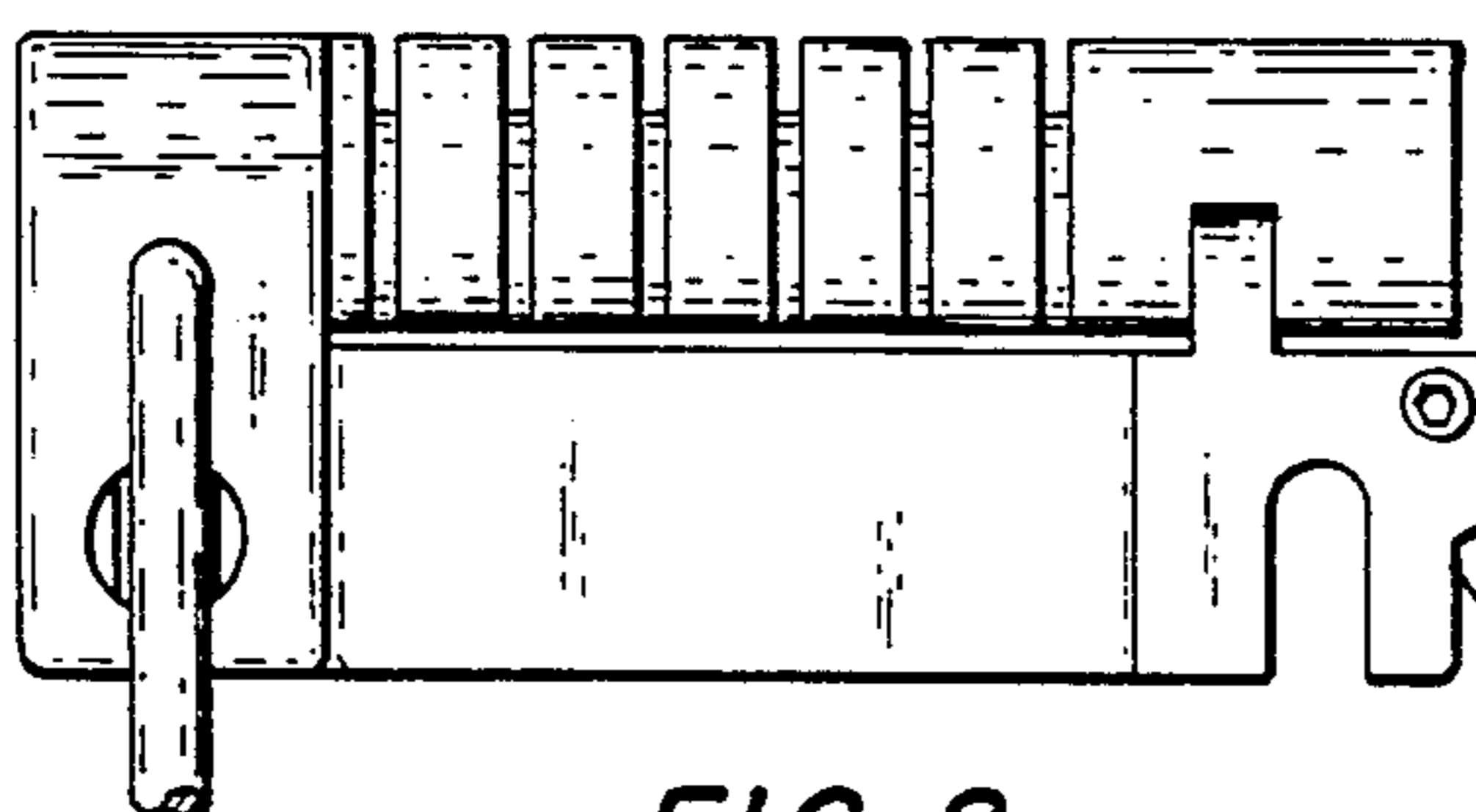


FIG. 2

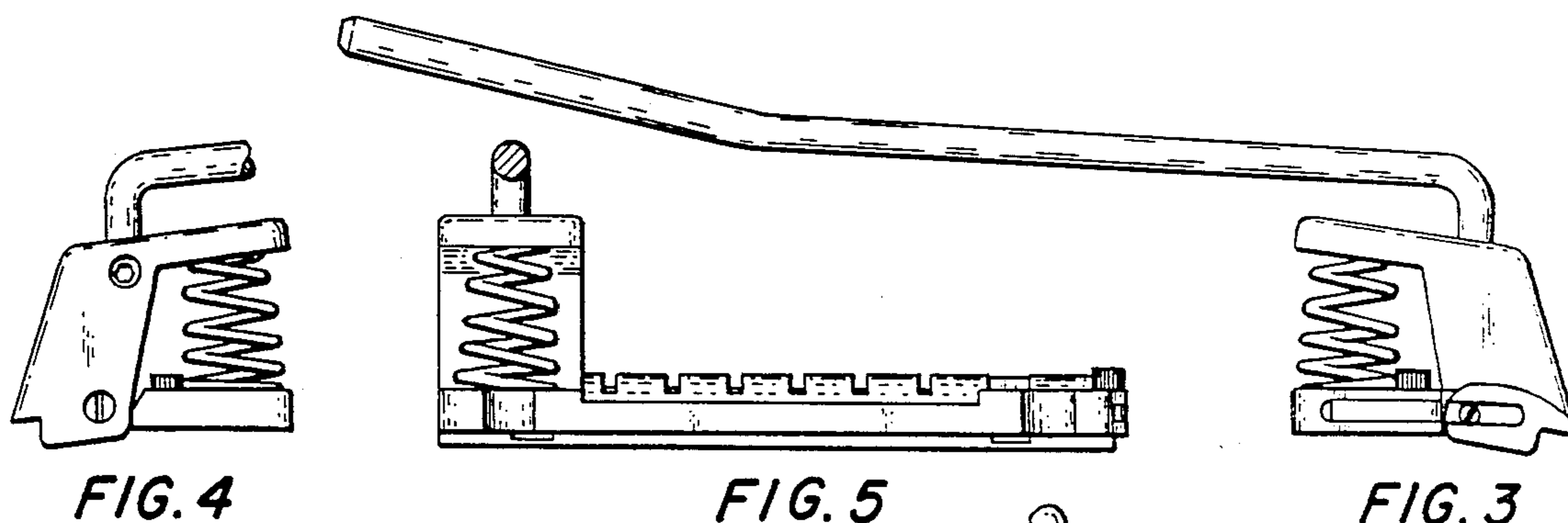


FIG. 4

FIG. 5

FIG. 3

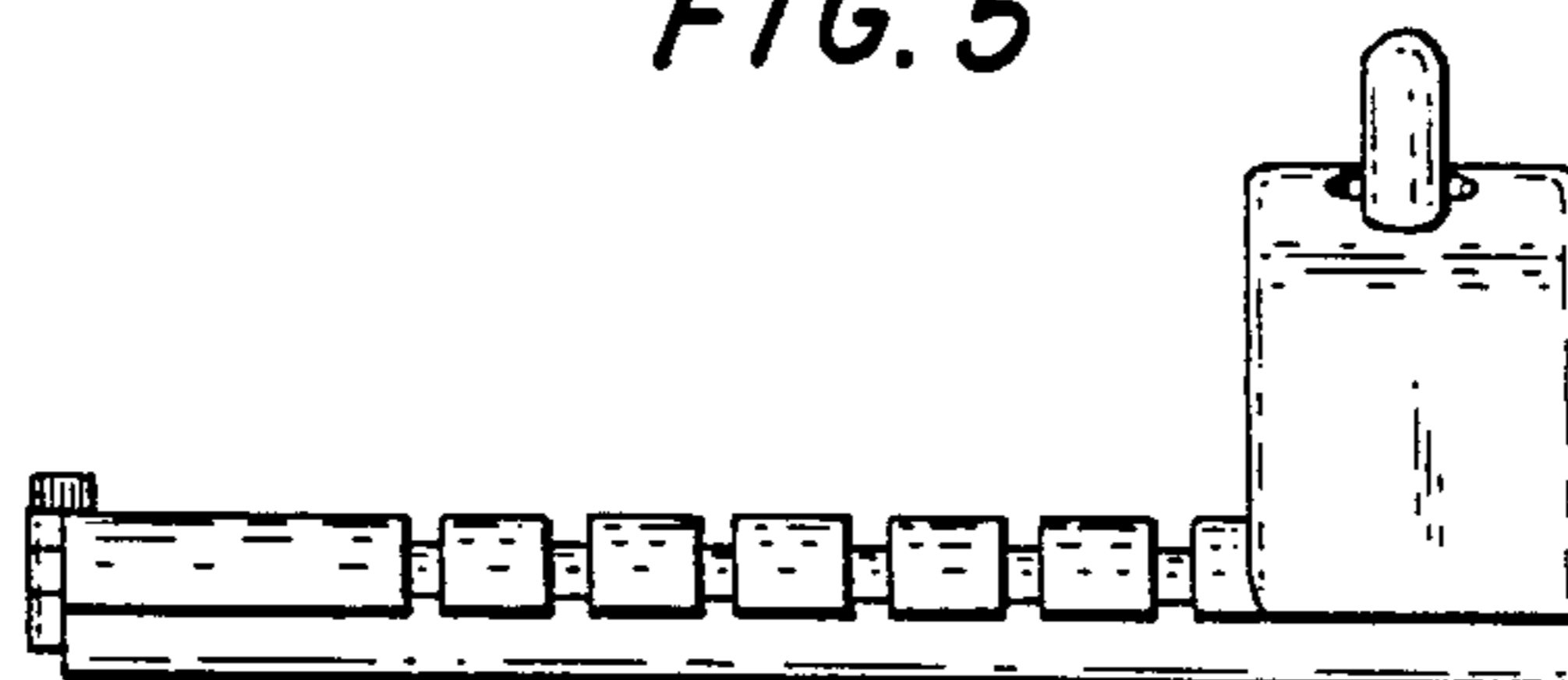


FIG. 6

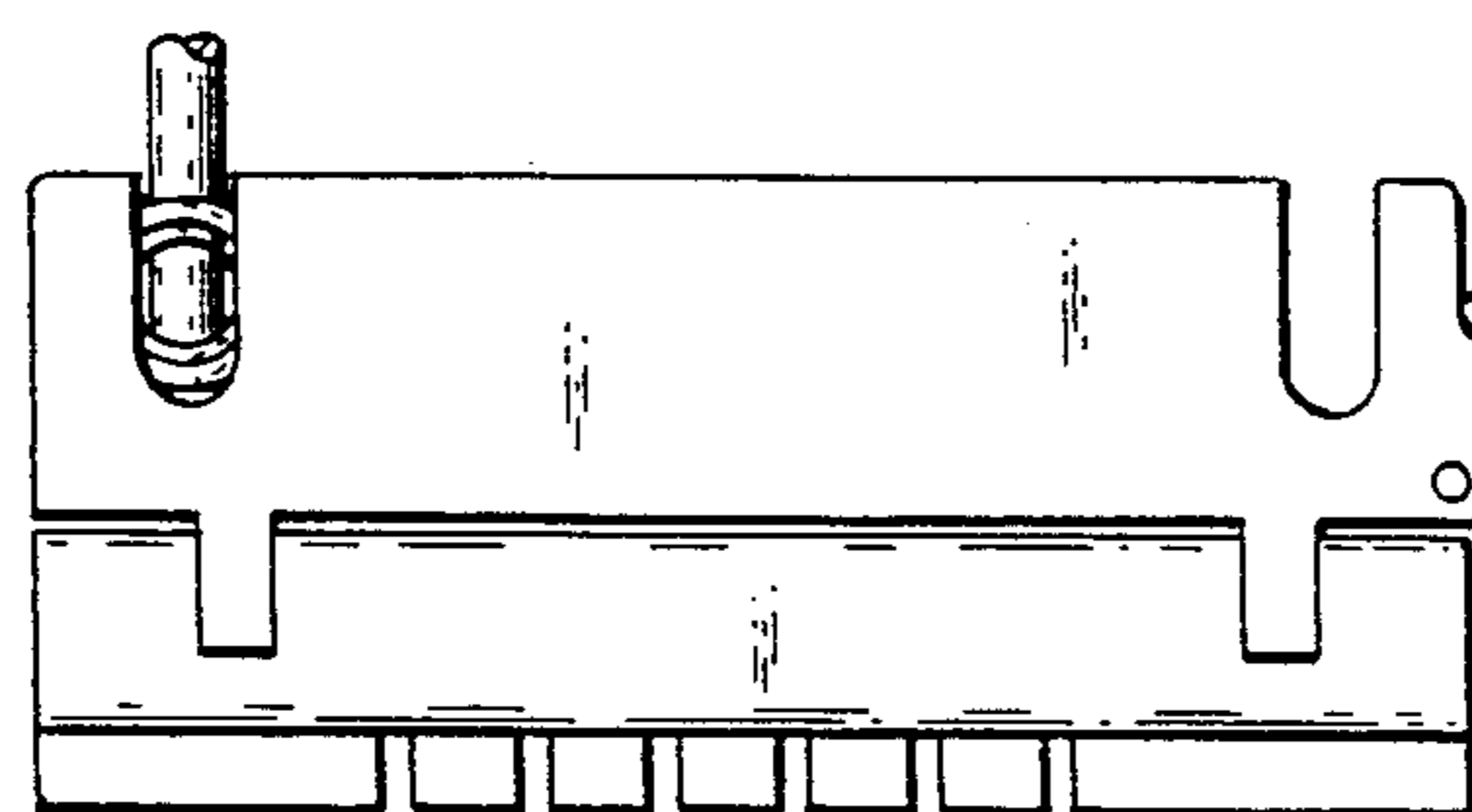


FIG. 7