

[54] NUMERICALLY CONTROLLED LATHE

[75] Inventor: Winfried Nemetz, Salzburg, Austria

[73] Assignee: Maier & Co., Salzburg, Austria

[\*\*] Term: 14 Years

[21] Appl. No.: 373,258

[22] Filed: Apr. 29, 1982

[30] Foreign Application Priority Data

Oct. 30, 1981 [AT] Austria ..... 15385

[52] U.S. Cl. .... D15/130

[58] Field of Search ..... D15/127, 130; 82/2 R, 82/2 B, 6 R, 6 A; 29/27 R

[56] References Cited

U.S. PATENT DOCUMENTS

D. 176,960	2/1956	Lindee .....	D15/130
D. 197,353	1/1964	White .....	D15/130
D. 257,678	12/1980	Cleary et al. ....	D15/130
2,538,228	1/1951	Blair .....	82/6 A
3,029,664	4/1962	Frank, Sr. ....	82/2 R

Primary Examiner—B. J. Bullock

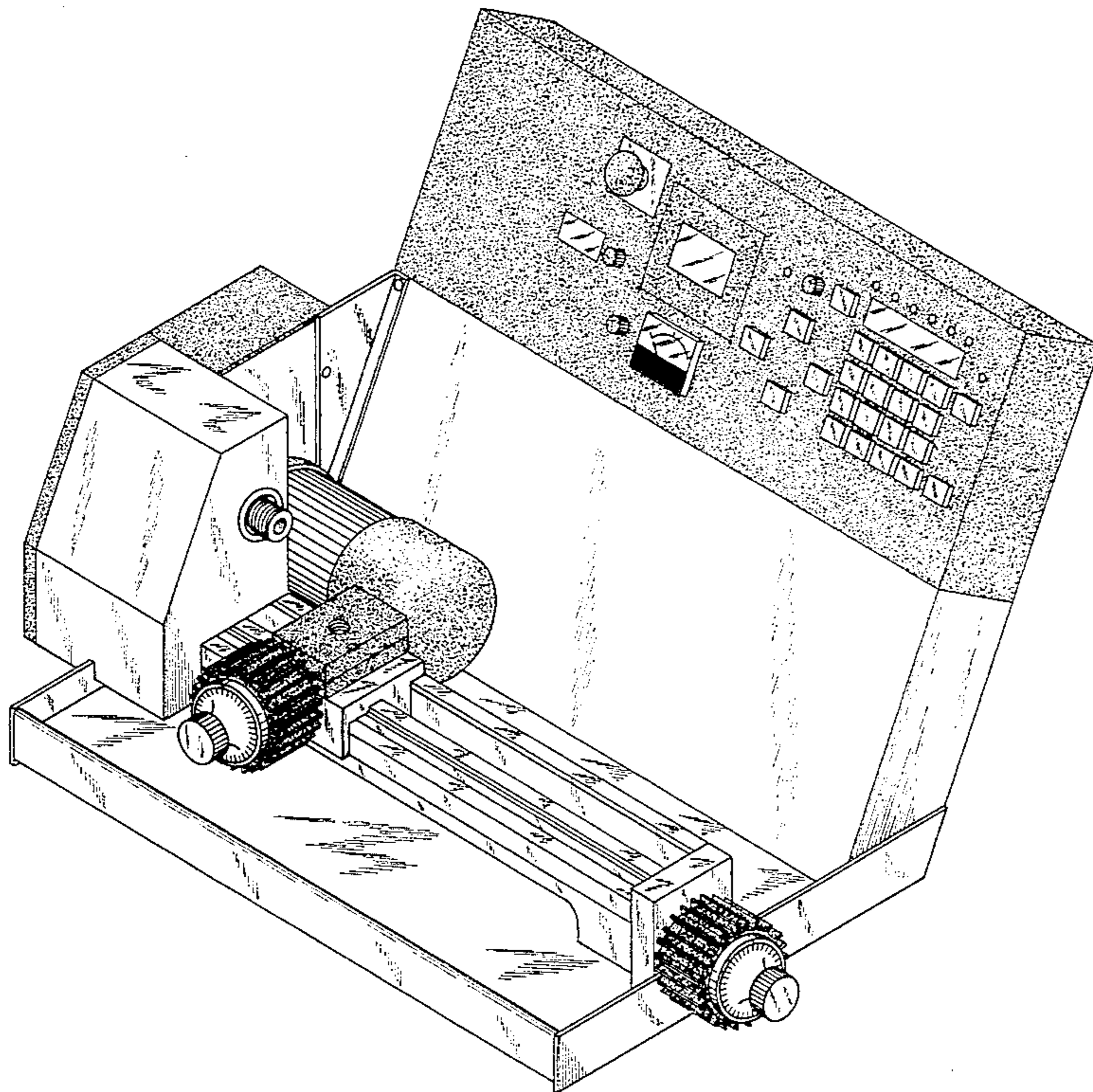
Attorney, Agent, or Firm—Karl F. Ross; Herbert Dubno

[57] CLAIM

The ornamental design for a numerically controlled lathe, as shown and described.

DESCRIPTION

FIG. 1 is a perspective view of a numerically controlled lathe embodying my new design, the portions not visible being nonornamental and substantially plain; FIG. 2 is a side-elevational view taken from the right of FIG. 1.





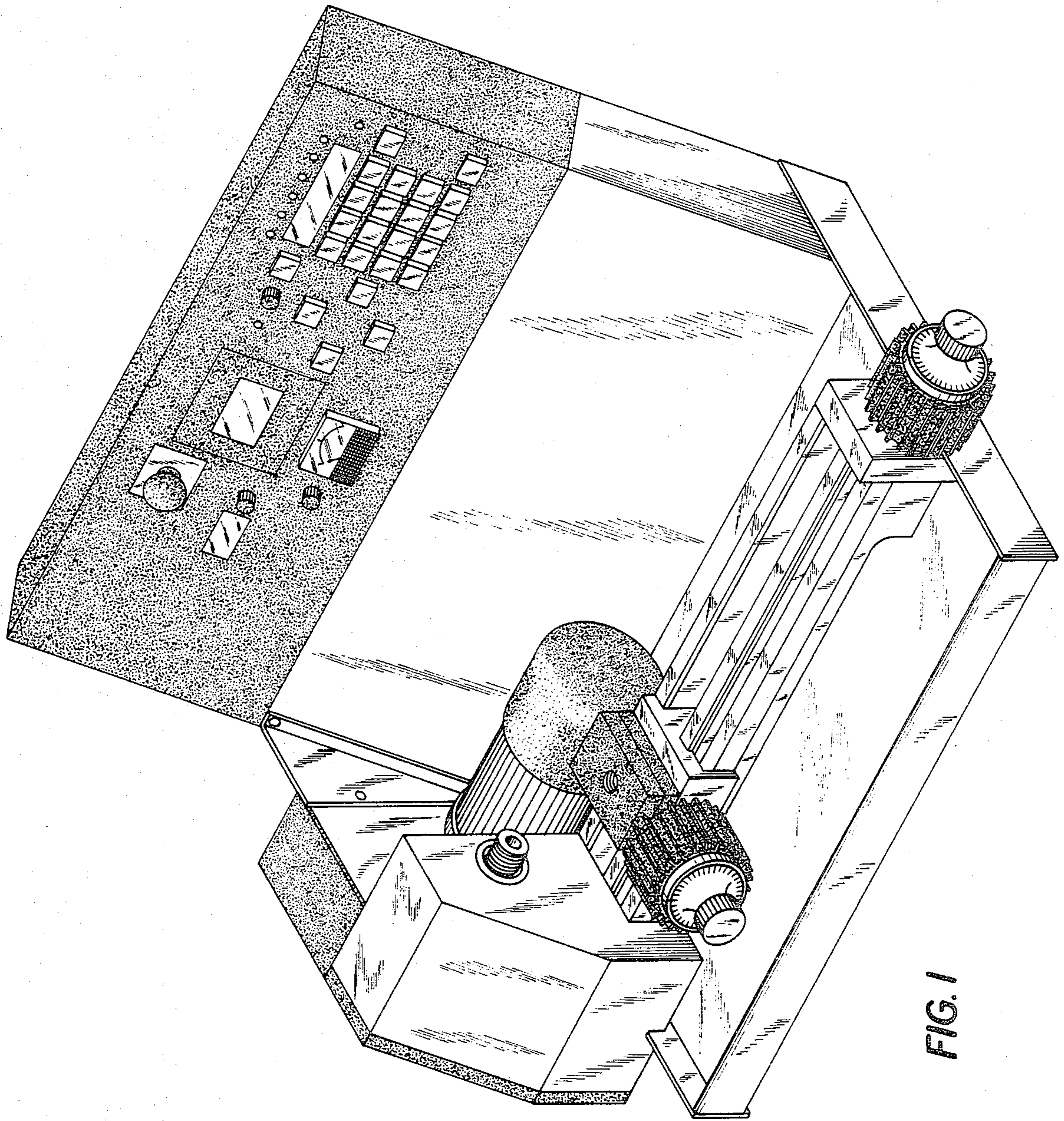


FIG. 1

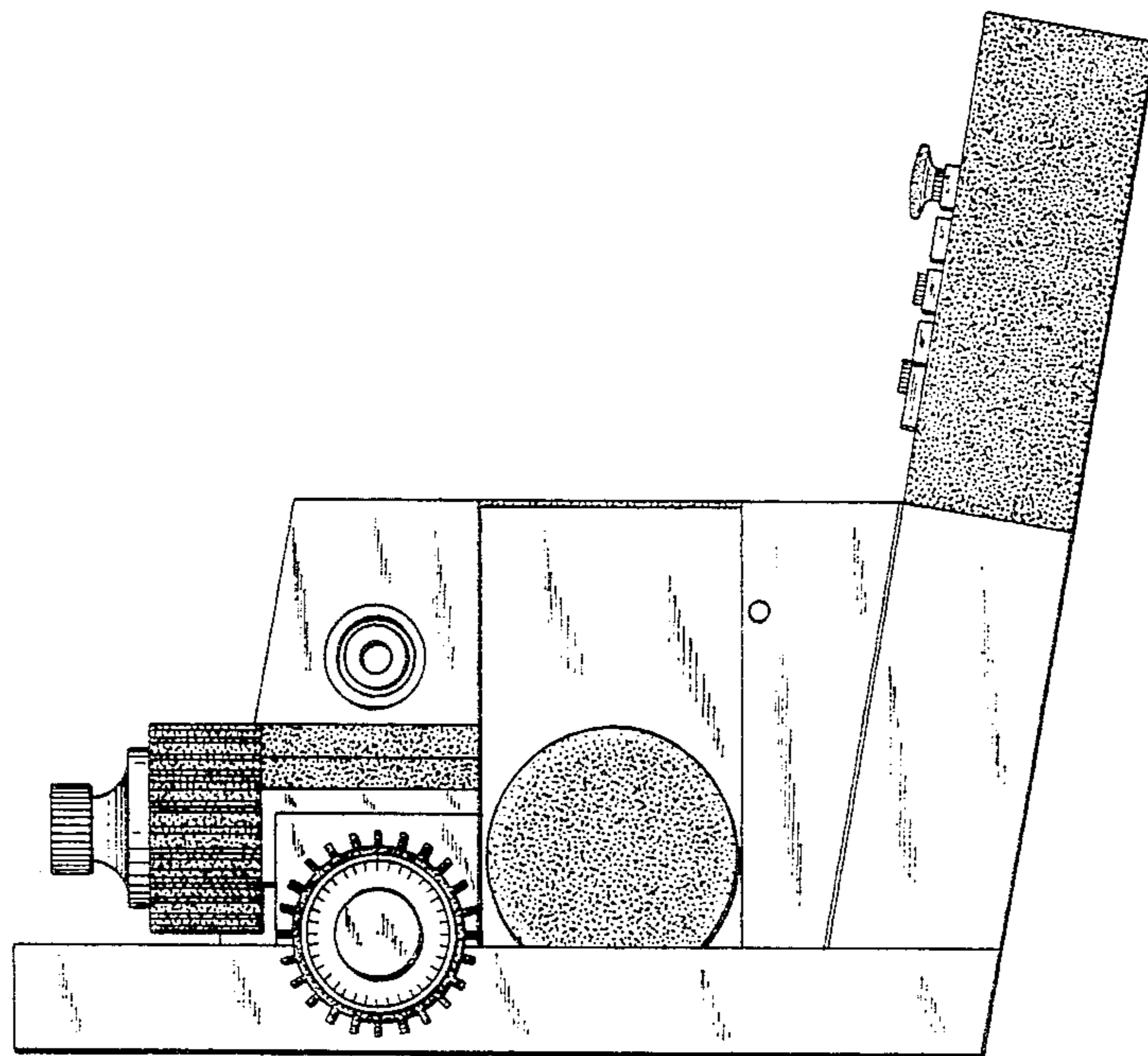


FIG. 2