

[54] TELEPHONE BASE

[75] Inventors: Donald M. Genaro, Haworth, N.J.; Jerome M. Gotway; Norris R. Hall, both of Indianapolis, Ind.; John N. McGarvey, Drexel Hill, Pa.

[73] Assignee: AT&T Bell Laboratories, Murray Hill, N.J.

[\*\*] Term: 14 Years

[21] Appl. No.: 612,465

[22] Filed: May 21, 1984

Related U.S. Application Data

[62] Division of Ser. No. 455,888, Jan. 5, 1983.

[52] U.S. Cl. .... D14/60; D14/59

[58] Field of Search ..... D14/53, 55, 56, 59, D14/58, 60, 61, 62, 65, 66; 179/178, 179, 100 R, 100 C, 100 D, 147, 146 R

[56] References Cited

U.S. PATENT DOCUMENTS

- D. 252,331 7/1979 Baase et al. .... D14/60
- D. 252,569 8/1979 Genaro et al. .... D14/60
- D. 252,570 8/1979 Genaro et al. .... D14/60

- D. 252,929 9/1979 Genaro et al. .... D14/53
- D. 253,344 11/1979 Genaro et al. .... D14/60
- D. 253,821 1/1980 Genaro et al. .... D14/60
- D. 258,882 4/1981 Beecher et al. .... D14/58
- D. 262,626 1/1982 Genaro et al. .... D14/60
- D. 265,401 7/1982 Genaro et al. .... D14/60
- D. 265,734 8/1982 Mahan ..... D14/60
- D. 268,181 3/1983 Banko ..... D14/66
- D. 271,691 12/1983 Blat et al. .... D14/60
- D. 271,872 12/1983 Janda ..... D14/61
- D. 271,971 12/1983 Genaro et al. .... D14/60

Primary Examiner—Wallace R. Burke  
Assistant Examiner—Horace B. Fay  
Attorney, Agent, or Firm—Michael A. Morra

[57] CLAIM

The ornamental design for a telephone base, substantially as shown and described.

DESCRIPTION

FIG. 1 is a front and side perspective view from above of a telephone base showing our new design; FIG. 2 is a top plan view; FIG. 3 is a right side elevational view thereof, the left side being identical; and FIG. 4 is an end elevational view, the opposite end being substantially identical.

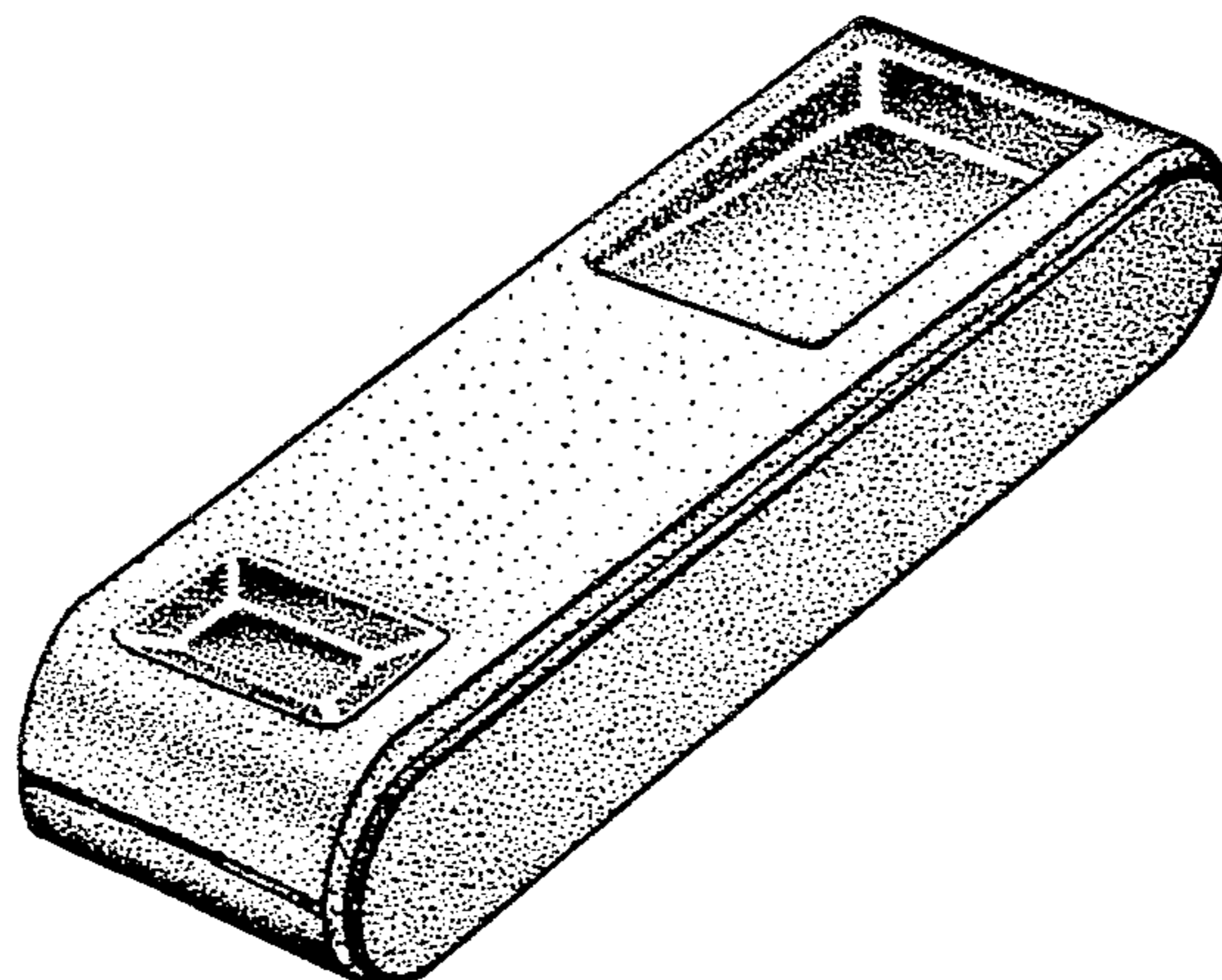


FIG. 1

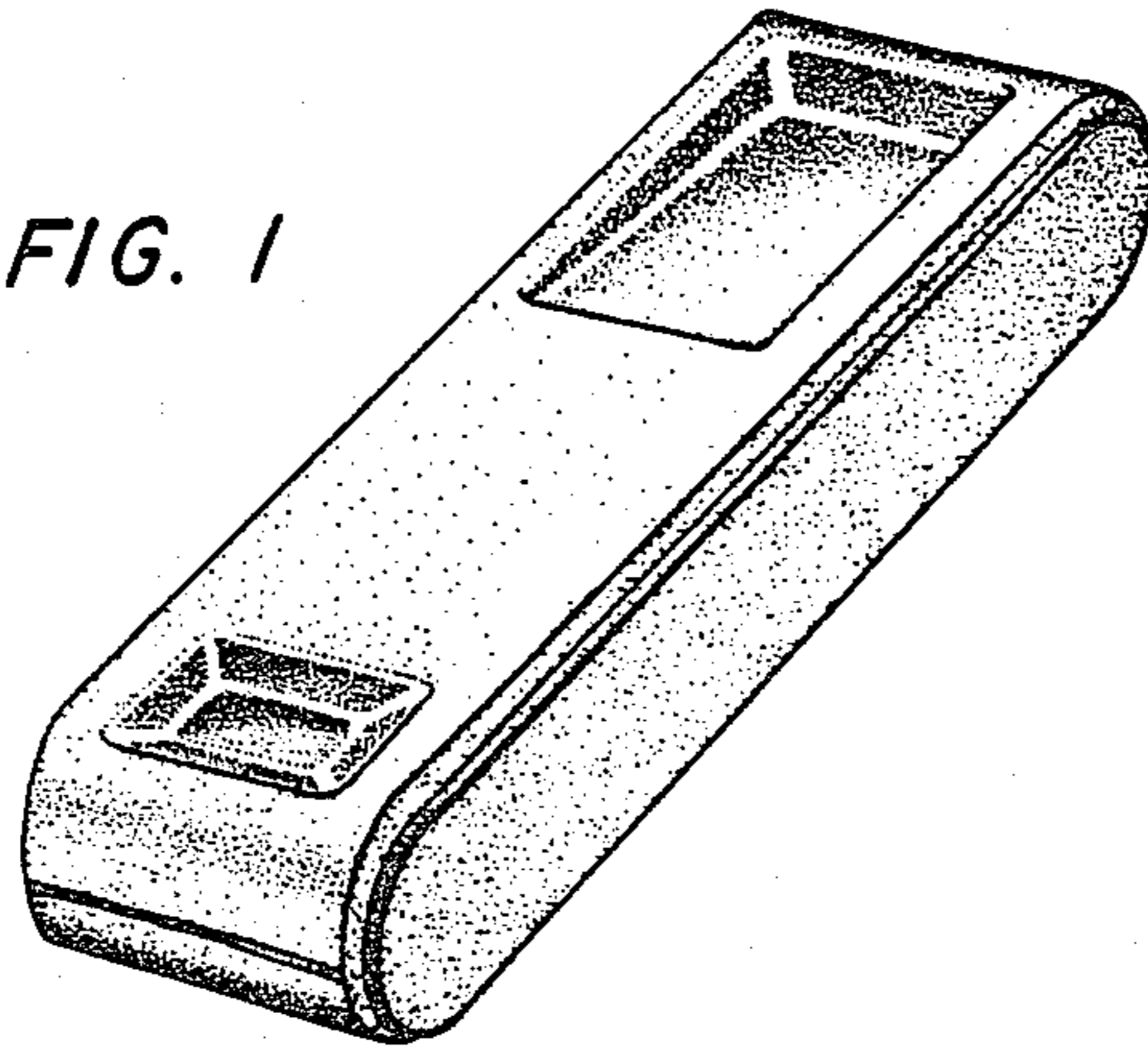
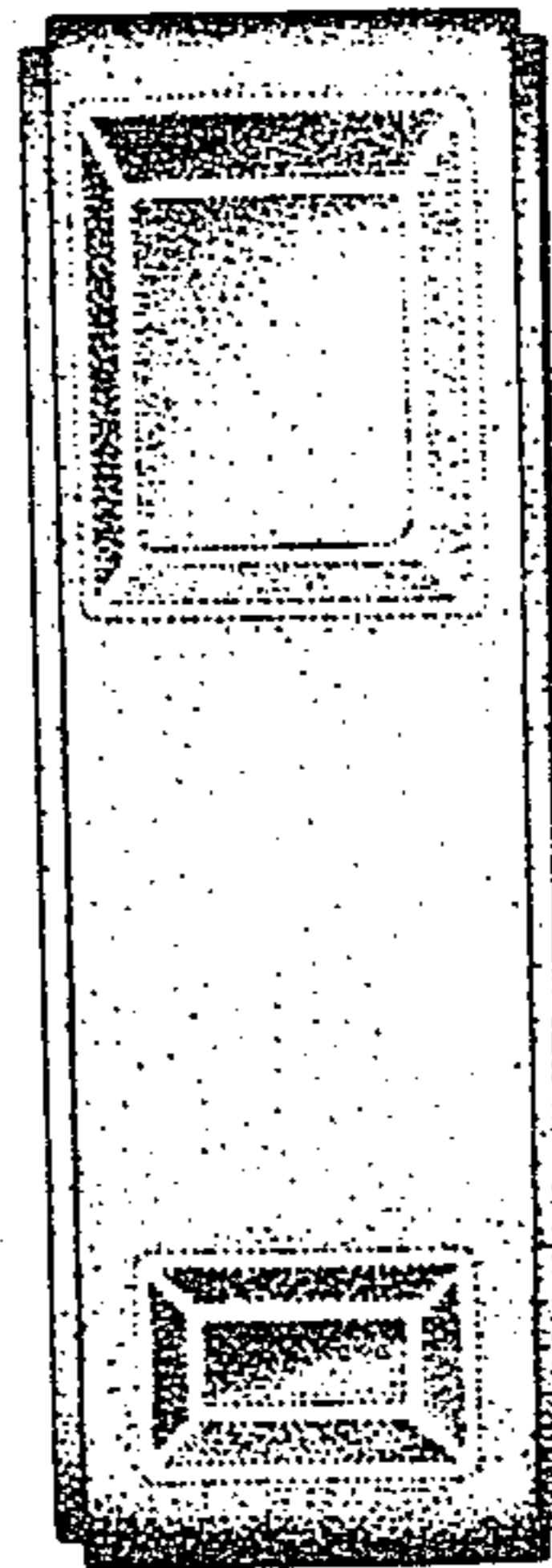
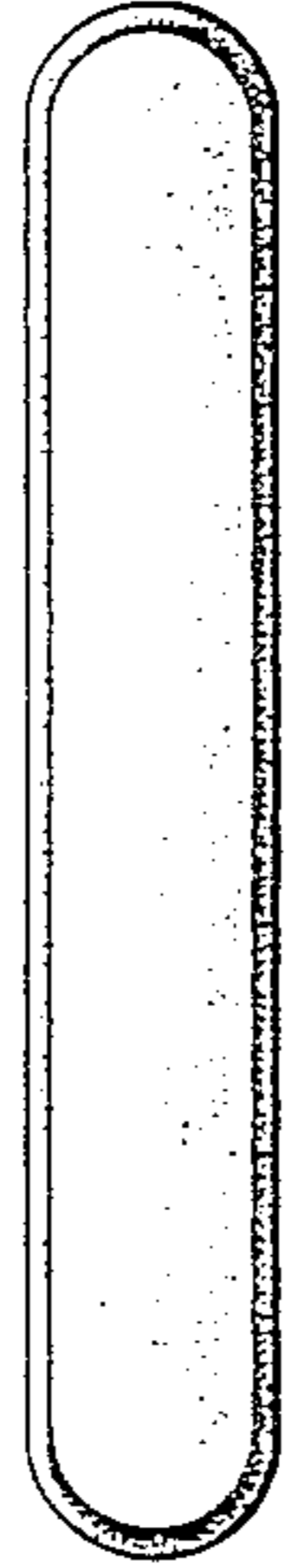


FIG. 2



*FIG. 3*



*FIG. 4*

