

[54] THERMAL DETECTOR

[75] Inventors: Stanley Brenner, Massapequa; James N. Pearse, Dix Hills; George E. Johnson, Bronxville, all of N.Y.

[73] Assignee: Leviton Manufacturing Co. Inc., Little Neck, N.Y.

[**] Term: 14 Years

[21] Appl. No.: 436,260

[22] Filed: Oct. 25, 1982

[52] U.S. Cl. D13/34; D10/106

[58] Field of Search D10/104, 52, 106, 75; D8/366, 396, 399; 361/103; 337/20, 22; D13/34, 22, 25

[56] References Cited

U.S. PATENT DOCUMENTS

D. 97,151	10/1935	Staver	D13/22
2,507,898	5/1950	Gaynor	337/22
3,631,322	12/1971	Kruger	361/103
3,825,868	7/1974	Jess et al.	337/20
3,914,646	10/1975	Paupy	337/22
4,074,486	2/1978	Grearson	D8/366

FOREIGN PATENT DOCUMENTS

548489	12/1941	United Kingdom	337/22
--------	---------	----------------	-------	--------

Primary Examiner—A. Hugo Word
Assistant Examiner—Suzanne N. Gitlin
Attorney, Agent, or Firm—Paul J. Sutton

[57] CLAIM

The ornamental design for a thermal detector, as shown and described.

DESCRIPTION

FIG. 1 is a perspective view of a thermal detector showing our new design;
 FIG. 2 is a top plan view thereof;
 FIG. 3 is a front elevational view thereof;
 FIG. 4 is a side elevational view taken from the right of FIG. 1;
 FIG. 5 is a bottom plan view thereof;
 FIG. 6 is a perspective view of a second embodiment;
 FIG. 7 is a top plan view thereof;
 FIG. 8 is a front elevational view thereof;
 FIG. 9 is a side elevational view taken from the right of FIG. 6;
 FIG. 10 is a rear elevational view thereof;
 FIG. 11 is a bottom plan view thereof;
 FIG. 12 is a perspective view of a third embodiment;
 FIG. 13 is a top plan view thereof;
 FIG. 14 is a front elevational view thereof;
 FIG. 15 is a side elevational view taken from the right of FIG. 12;
 FIG. 16 is a rear elevational view thereof.

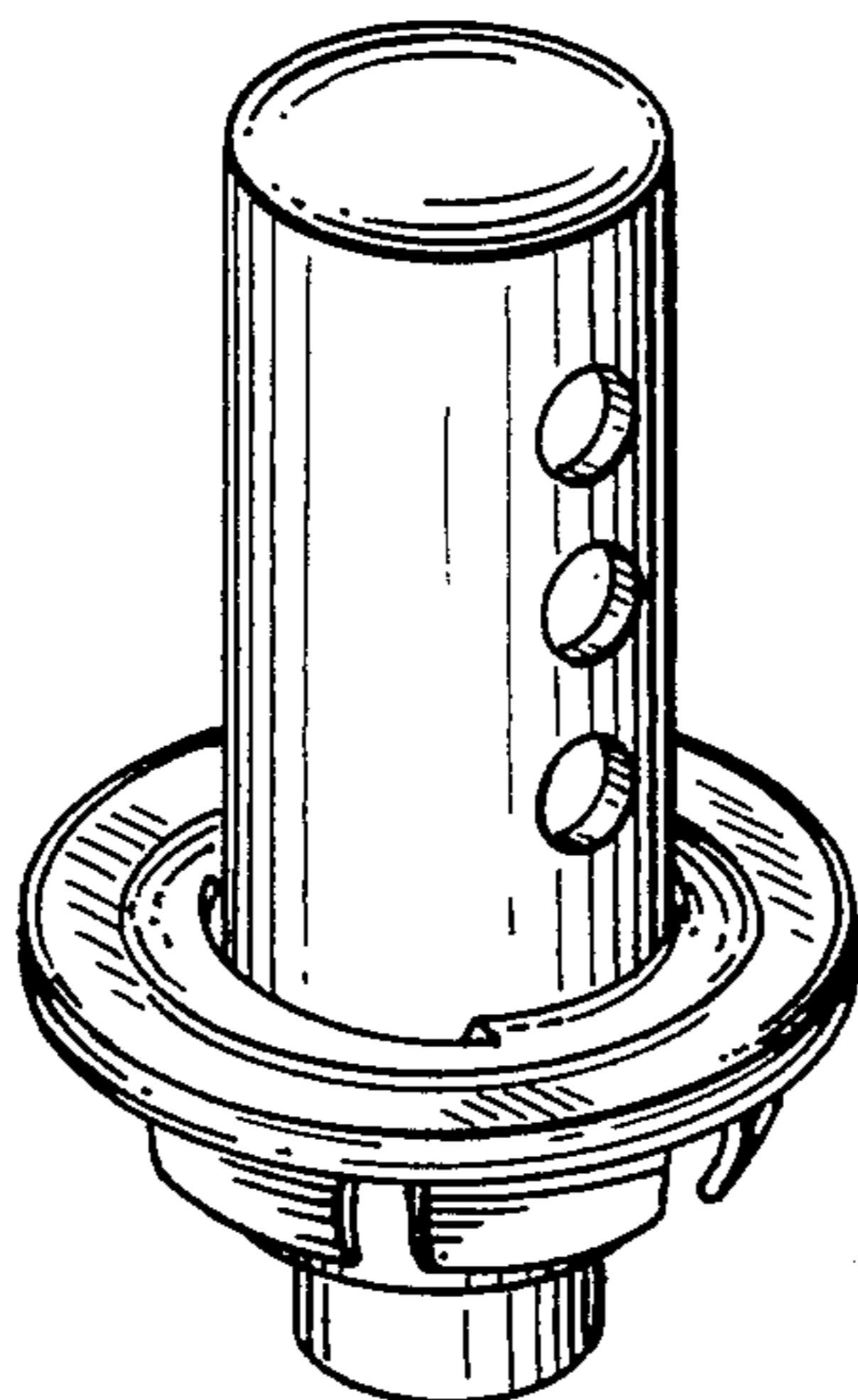


FIG. 1

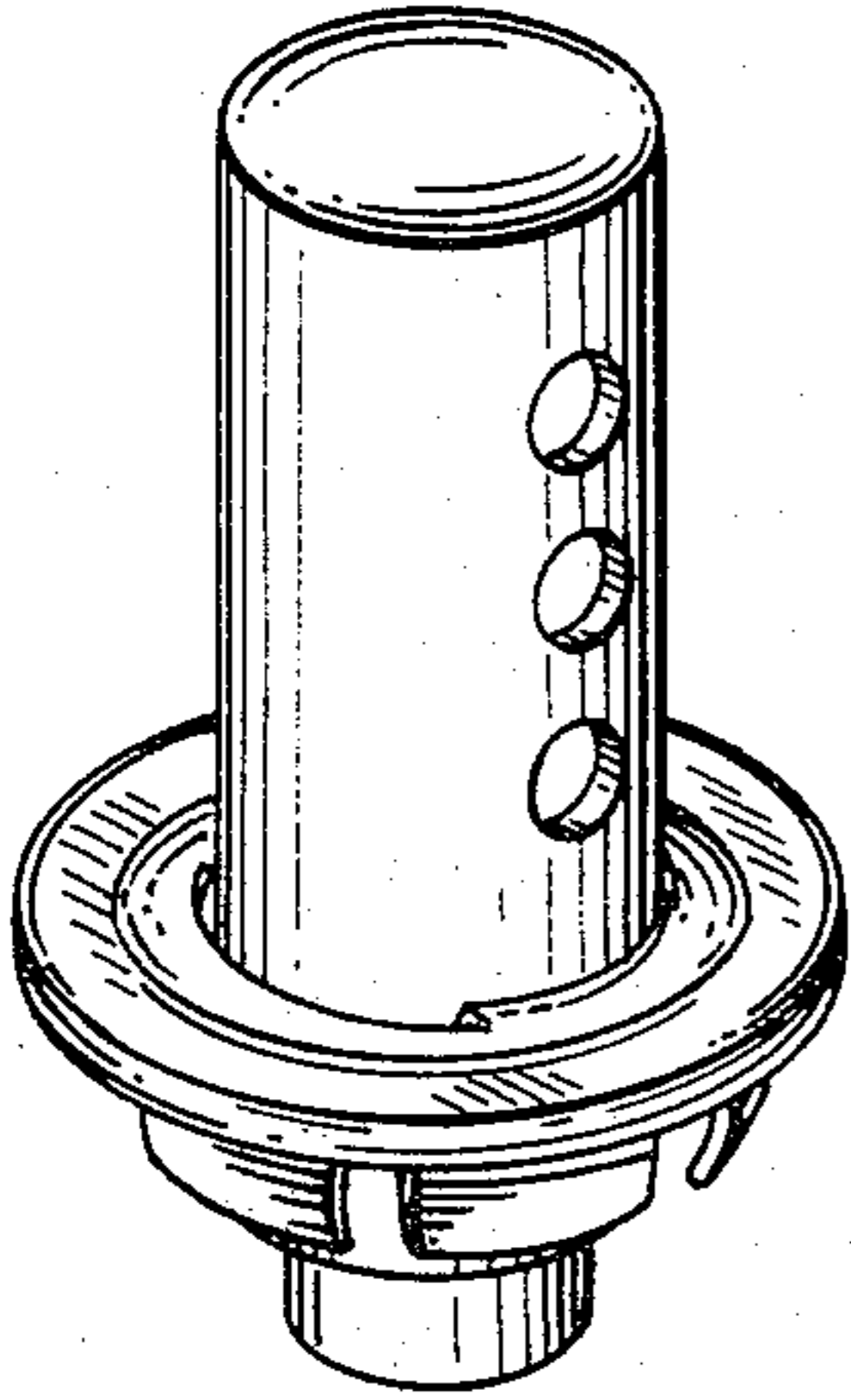


FIG. 2

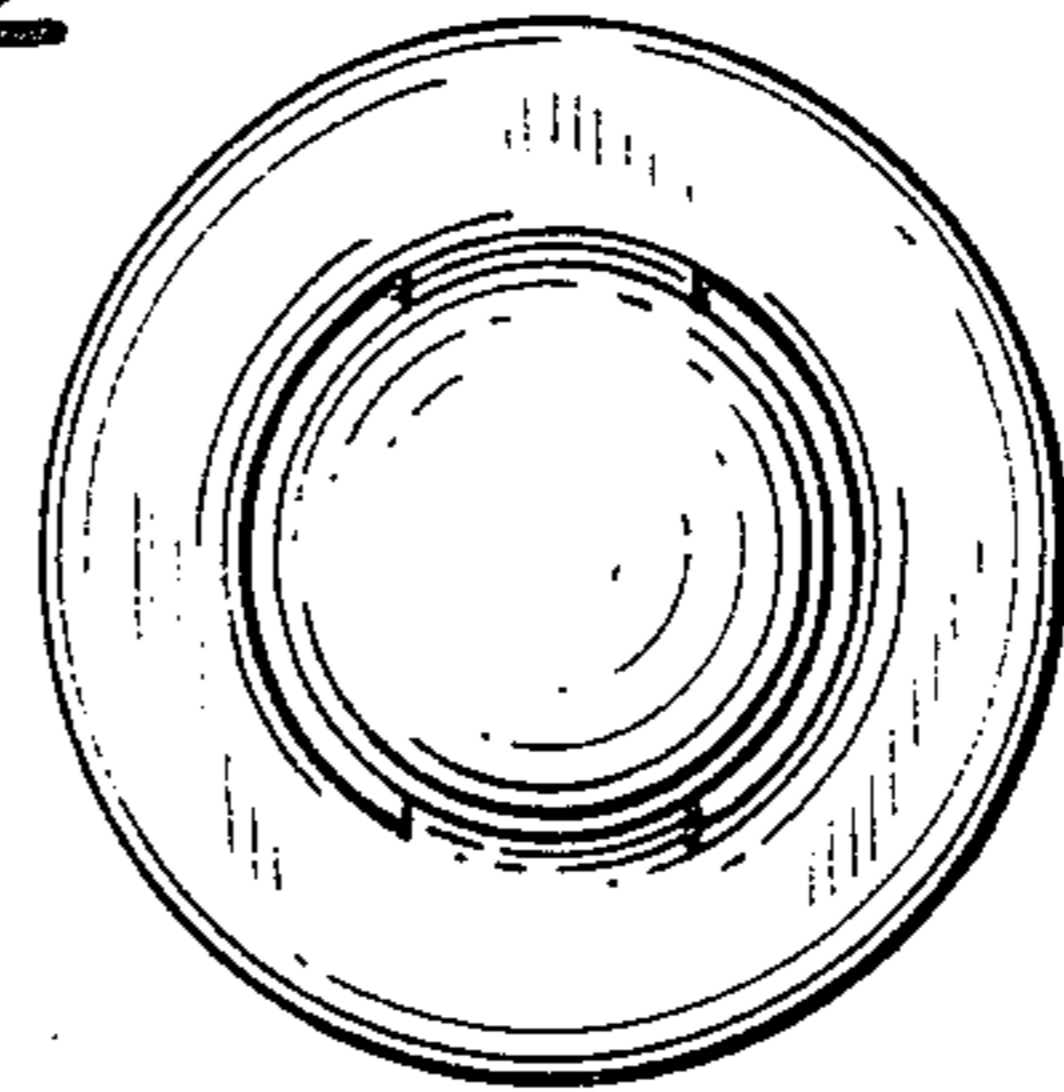


FIG. 5

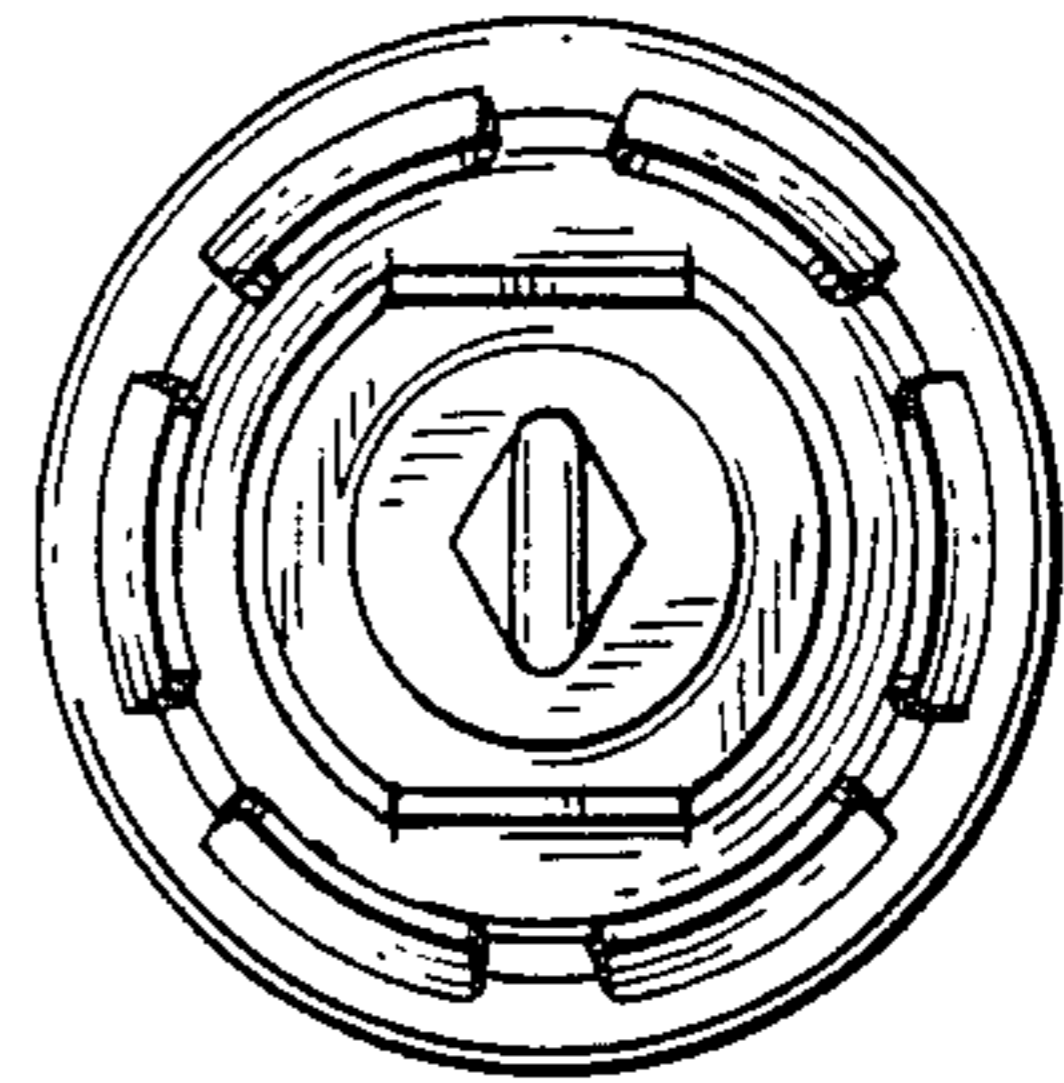


FIG. 3

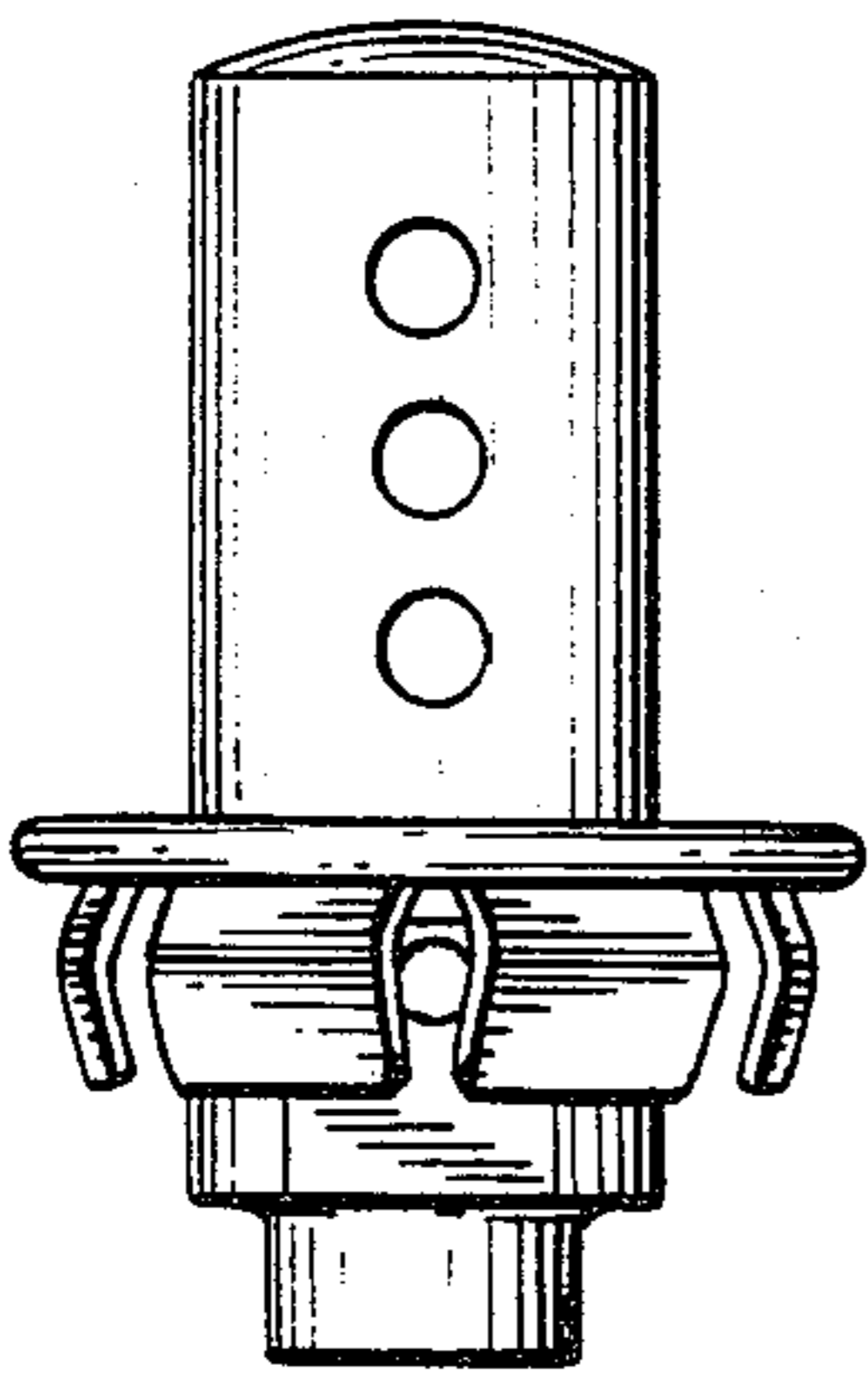


FIG. 4

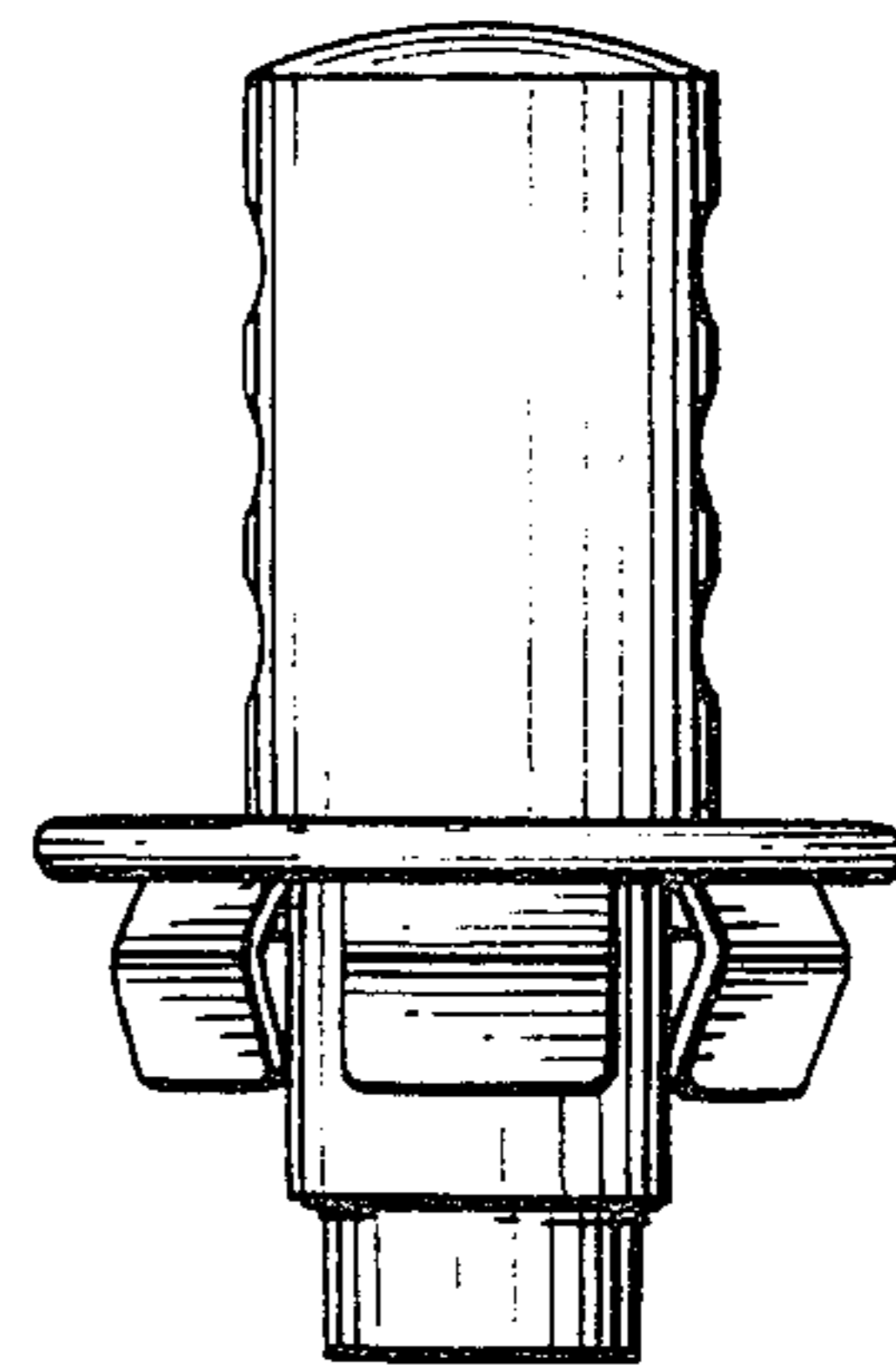


FIG. 6

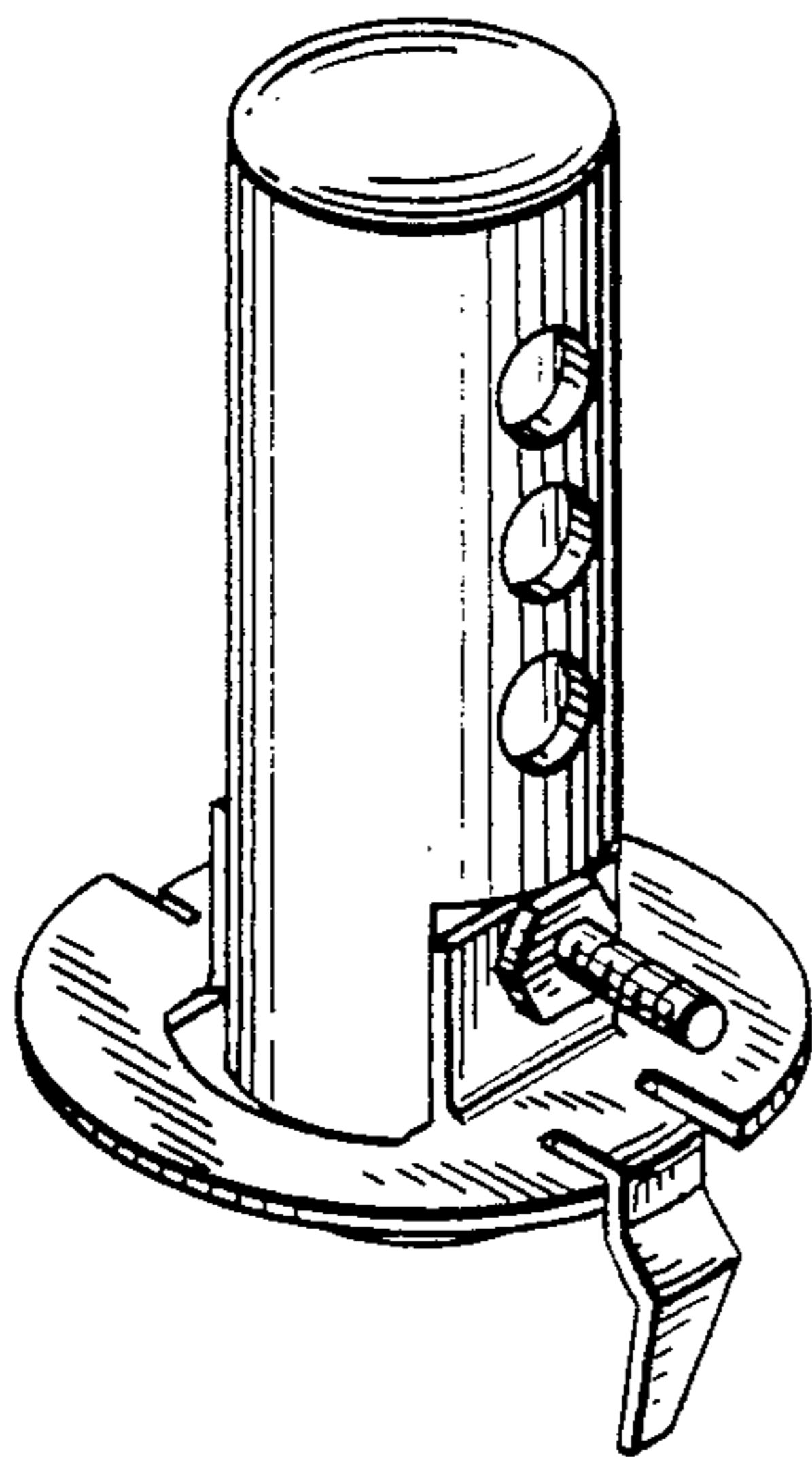


FIG. 7

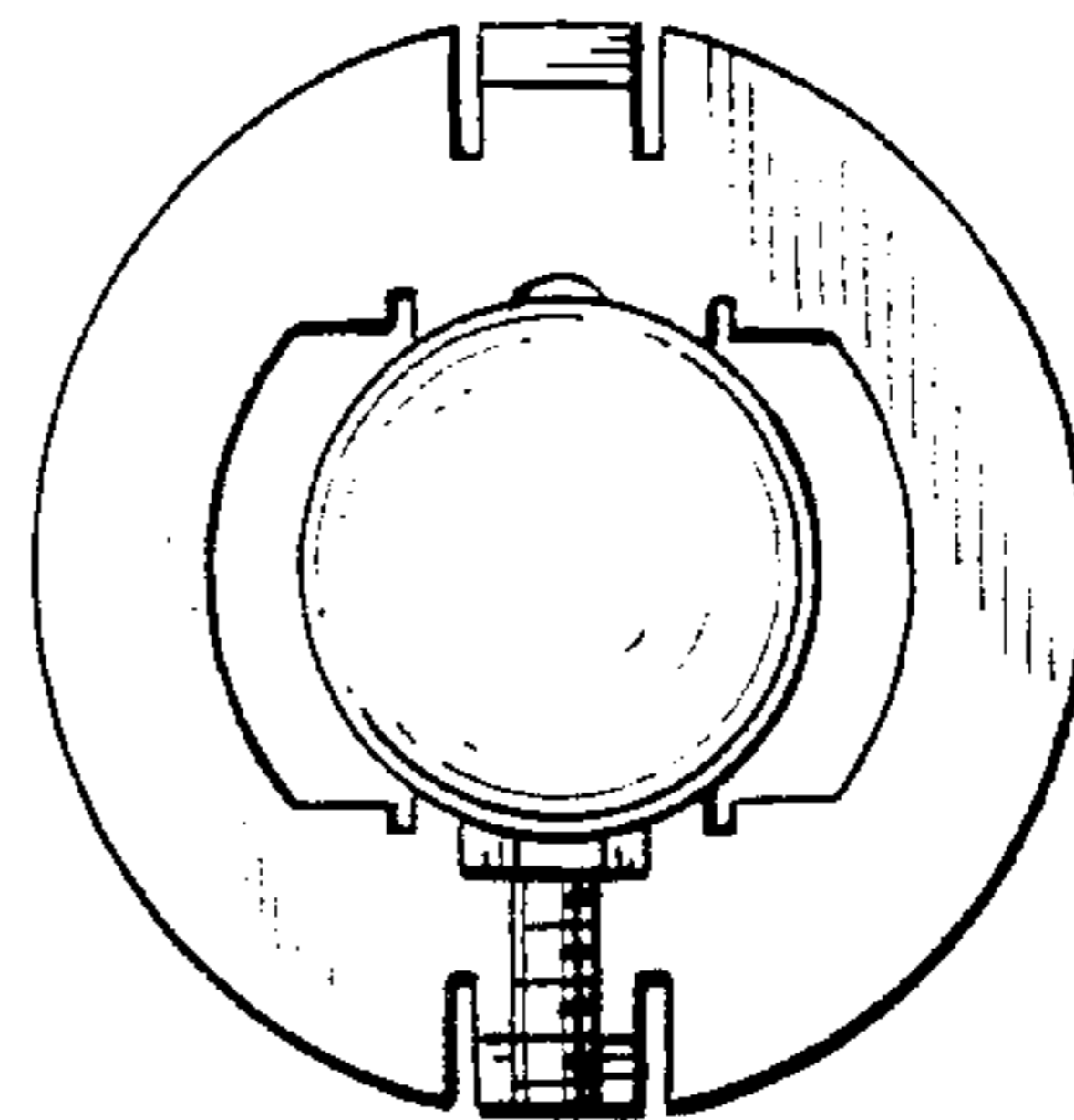


FIG. 11

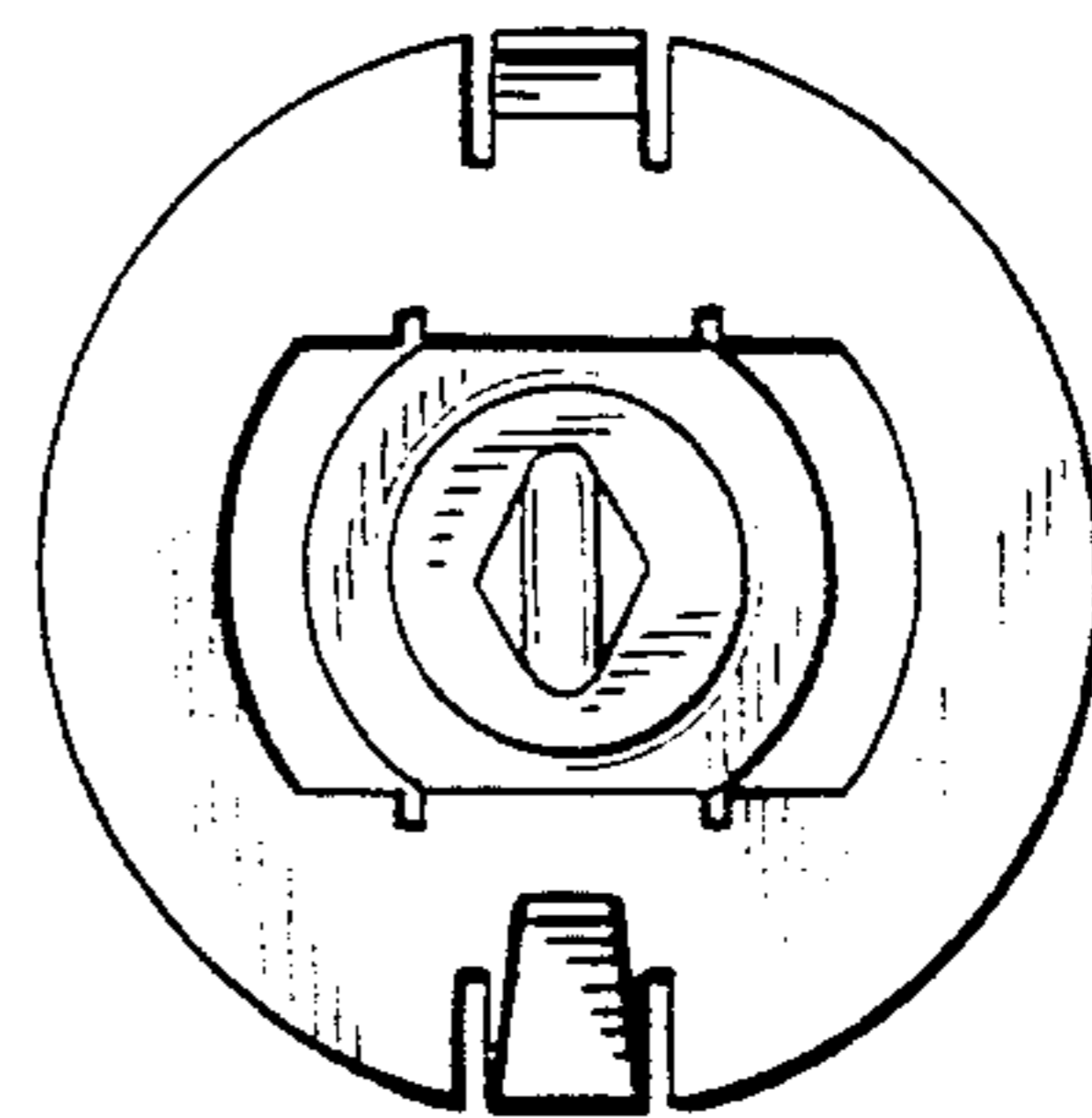


FIG. 8

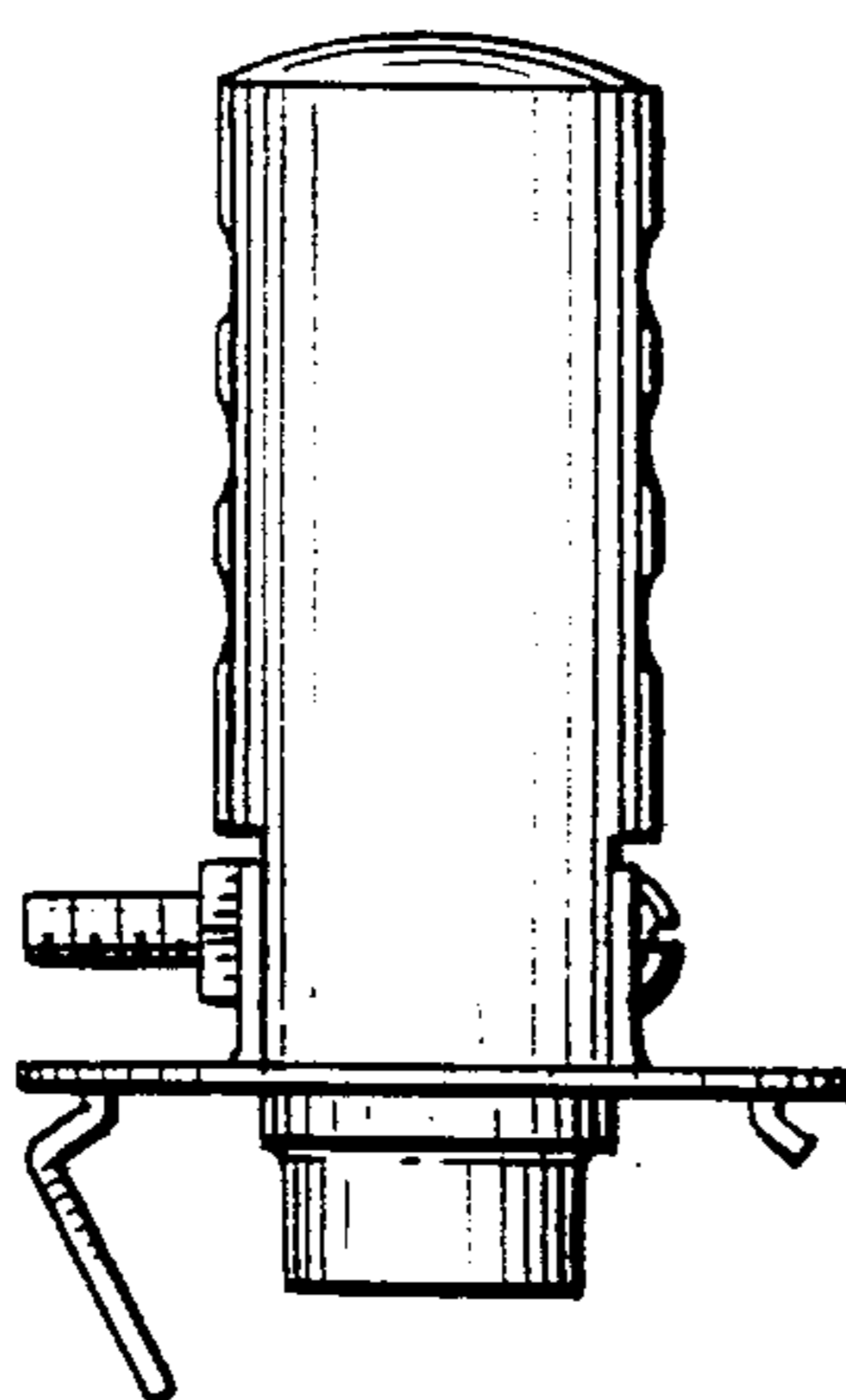
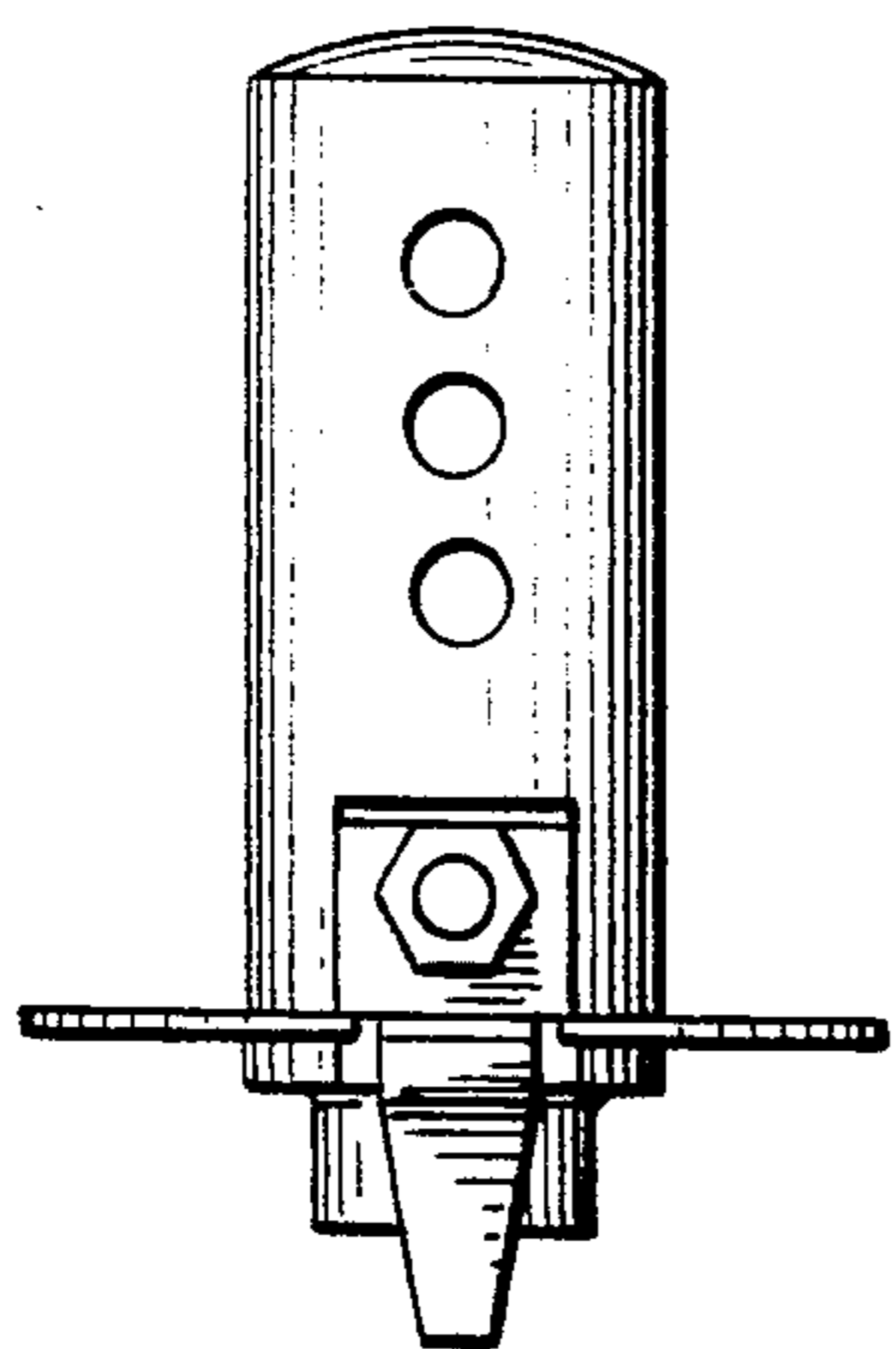


FIG. 9

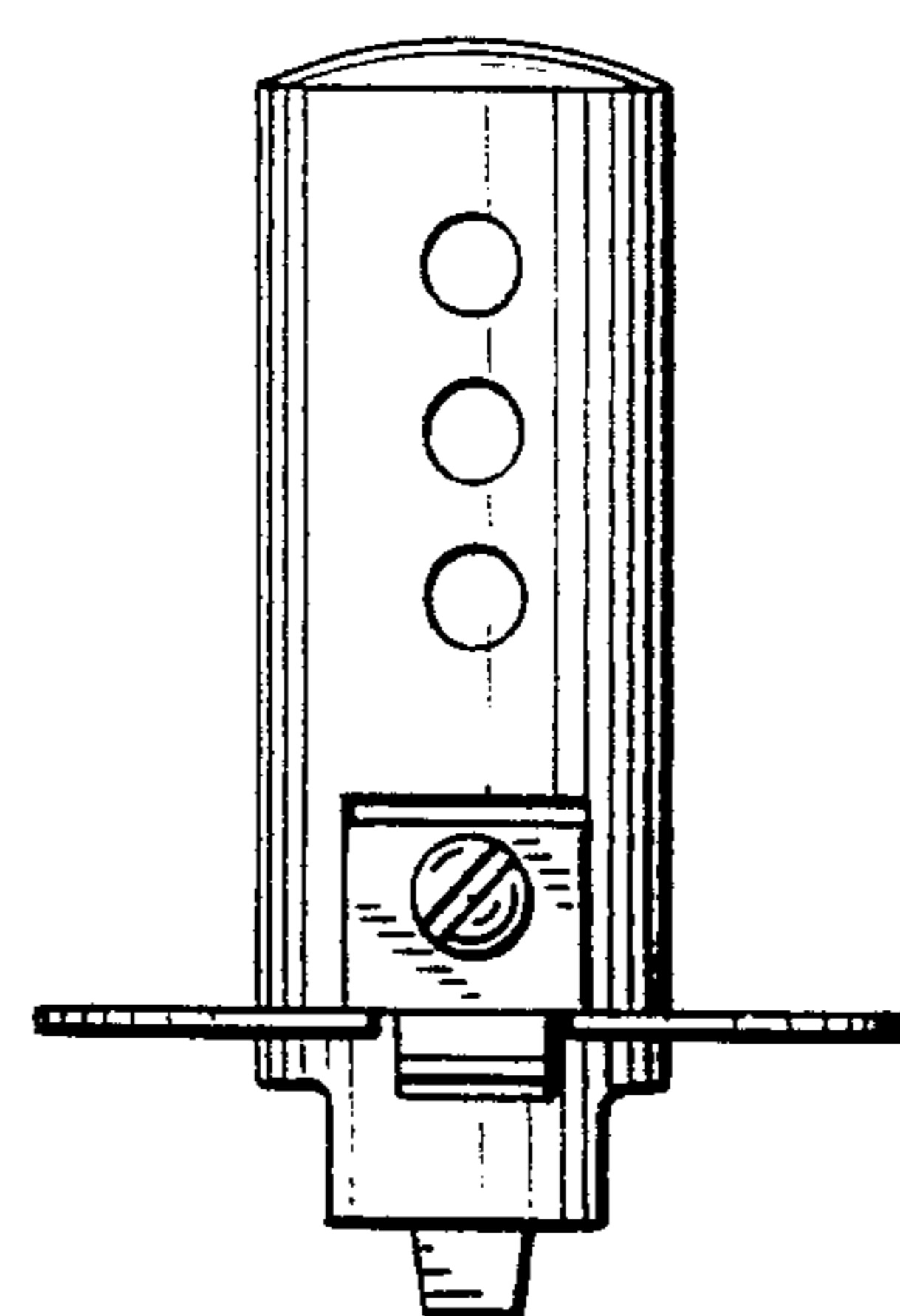


FIG. 10

FIG. 12

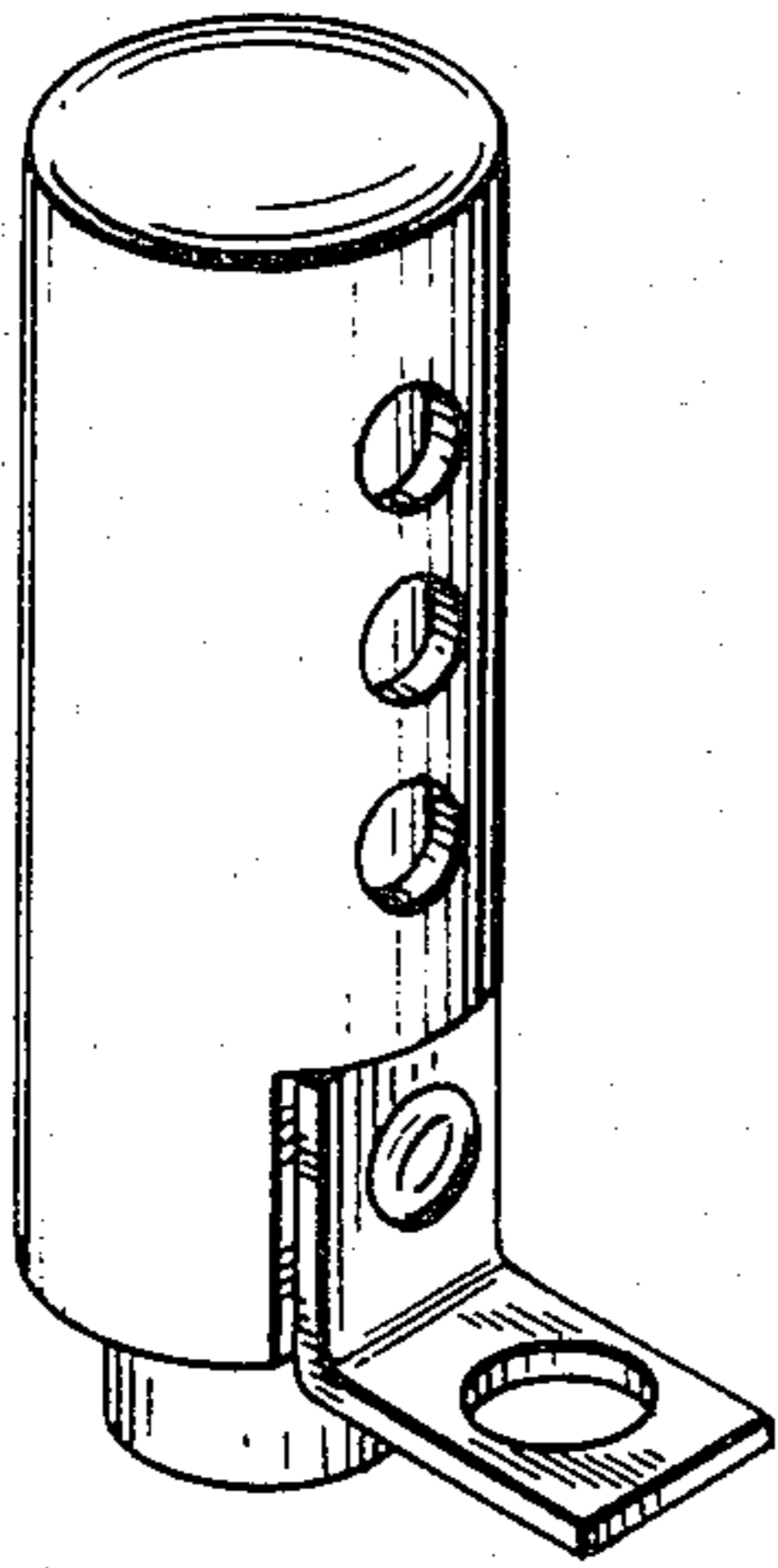


FIG. 13

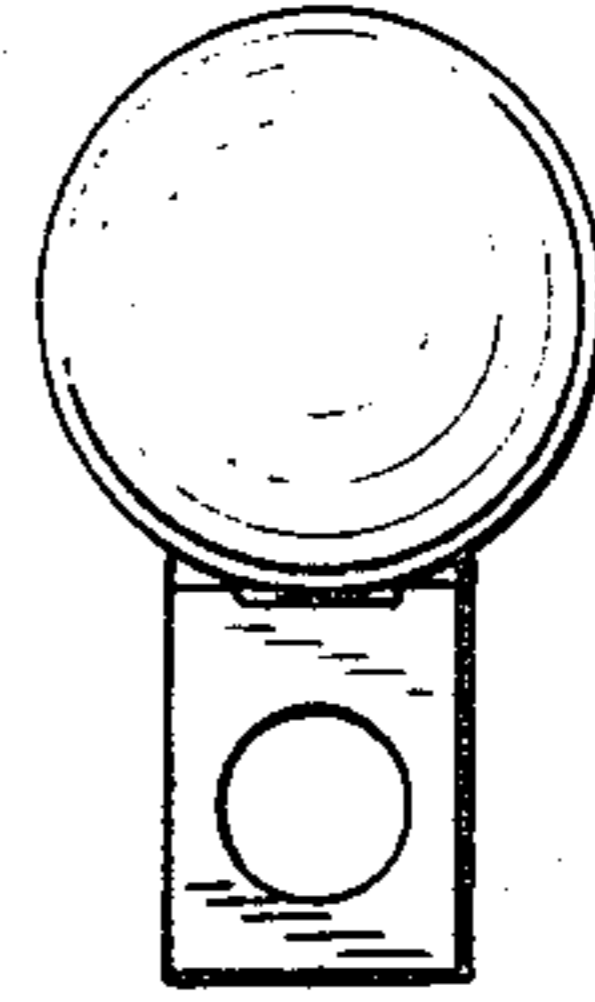


FIG. 17

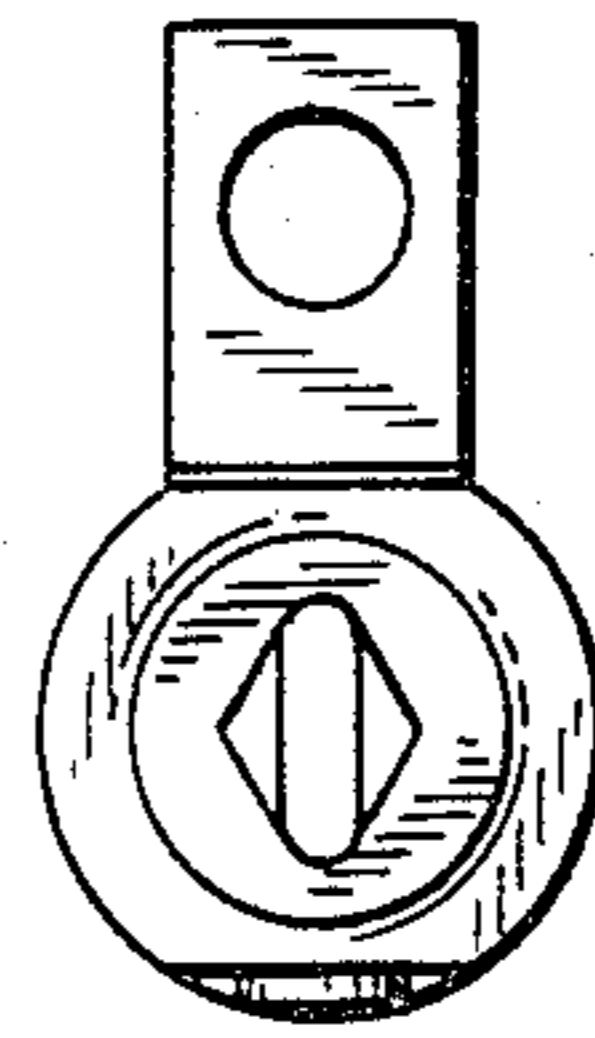


FIG. 14

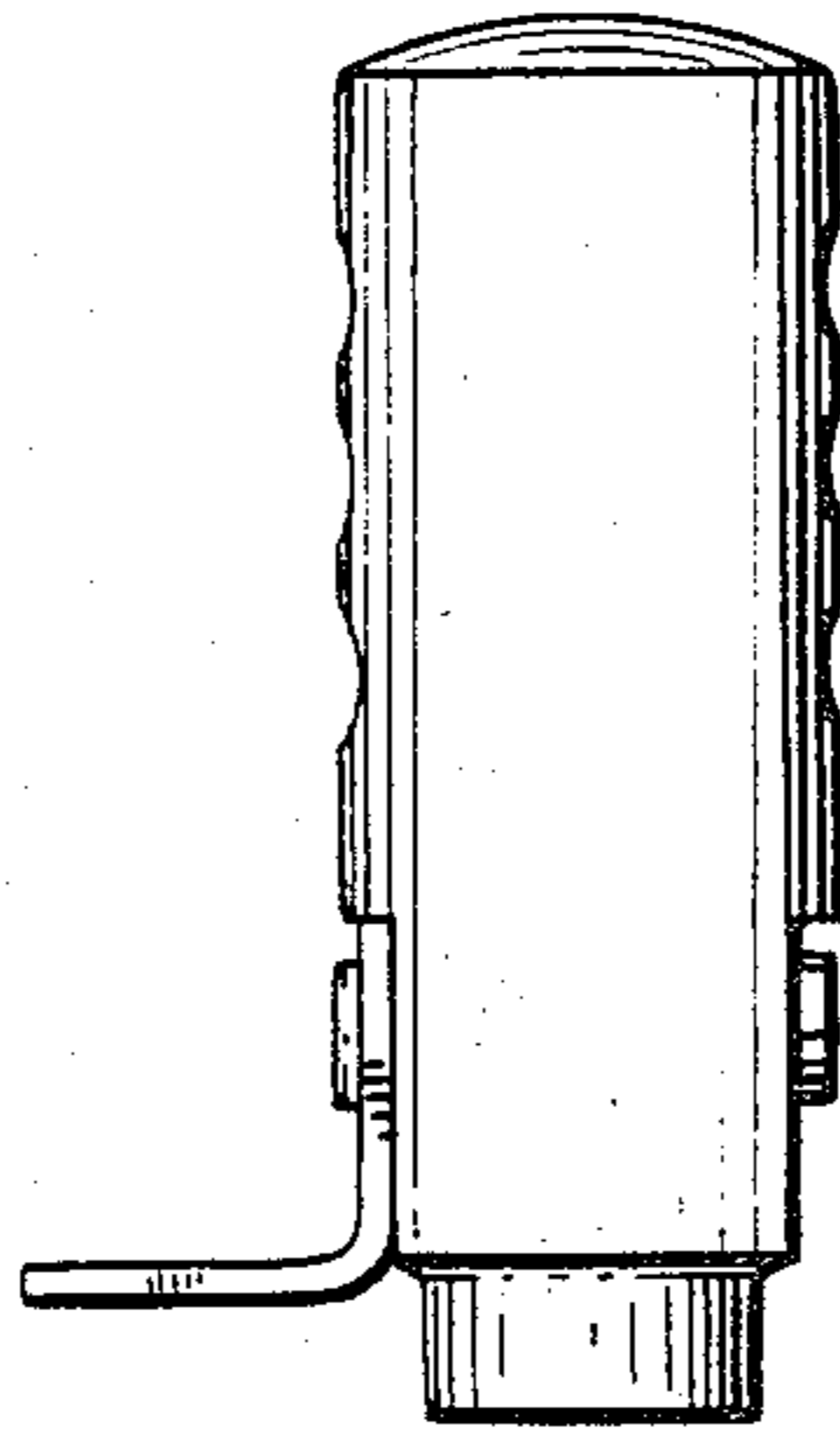
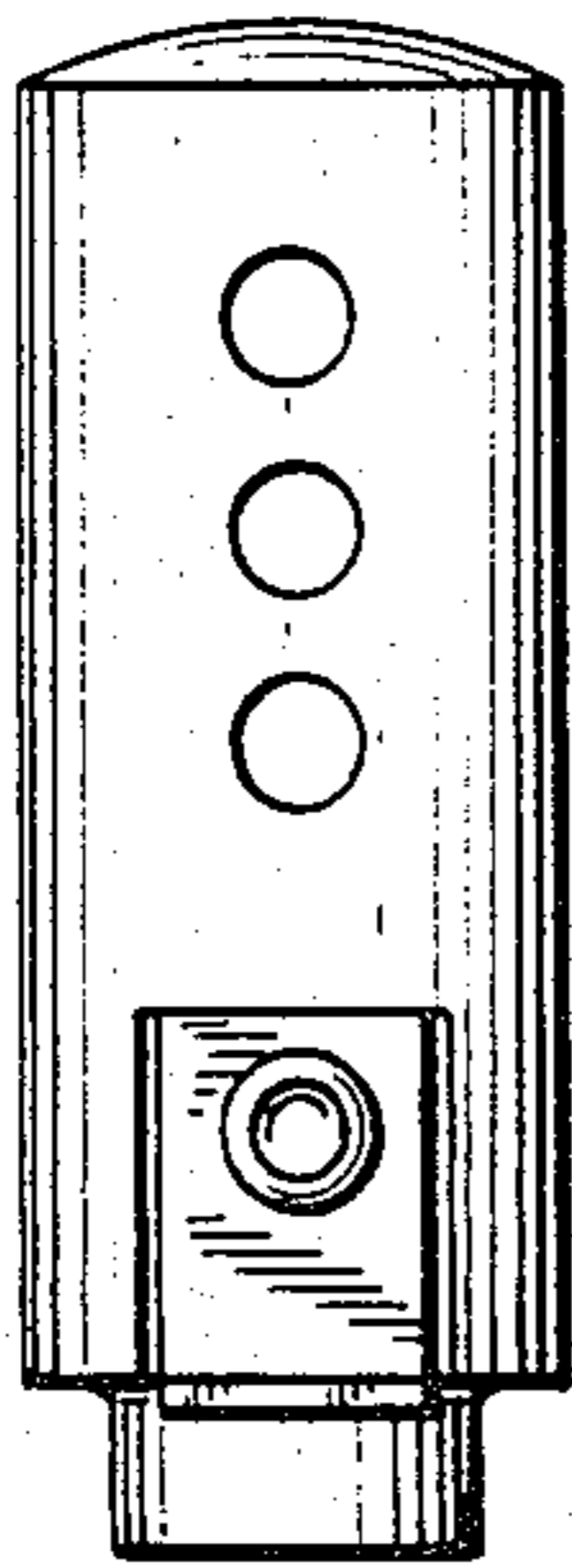


FIG. 15

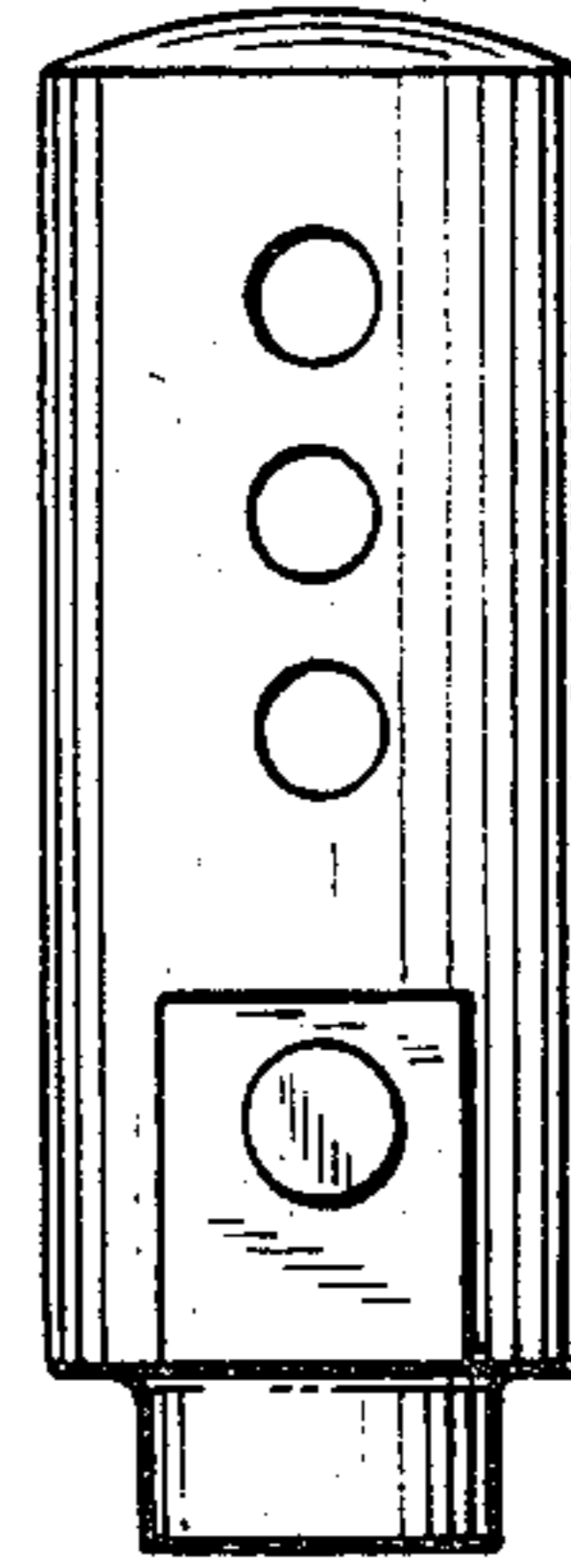


FIG. 16