

[54] NUT

[75] Inventor: **Lenny Suponitsky**, Tarzana, Calif.

[73] Assignees: **Bob Bollinger; Glenn Bollinger**, both of Irving, Tex.

[\*\*] Term: **14 Years**

[21] Appl. No.: **510,064**

[22] Filed: **Jul. 1, 1983**

[52] U.S. Cl. .... **D8/397**

[58] Field of Search ..... **D8/312, 397; 411/427; D11/70, 108; D23/28**

[56] **References Cited**

**U.S. PATENT DOCUMENTS**

D. 192,951	5/1962	Jeffrey	.....	D23/28
D. 254,291	2/1980	Ono	.....	D8/397
3,456,549	7/1969	Horton	.....	411/427

**OTHER PUBLICATIONS**

Seastrom Mfg. Co. Cat.; ©1979; p. 15-7; Hexagonal Nut.

"Handbook of Designs and Devices" by C. P. Hornung; ©1932; p. 131; Six-Pointed Star 1175.

*Primary Examiner*—B. J. Bullock

*Attorney, Agent, or Firm*—Spensley, Horn, Jubas & Lubitz

[57] **CLAIM**

The ornamental design for a nut, as shown.

**DESCRIPTION**

FIG. 1 is a top perspective view of a nut showing my new design;

FIG. 2 is a front elevation view thereof;

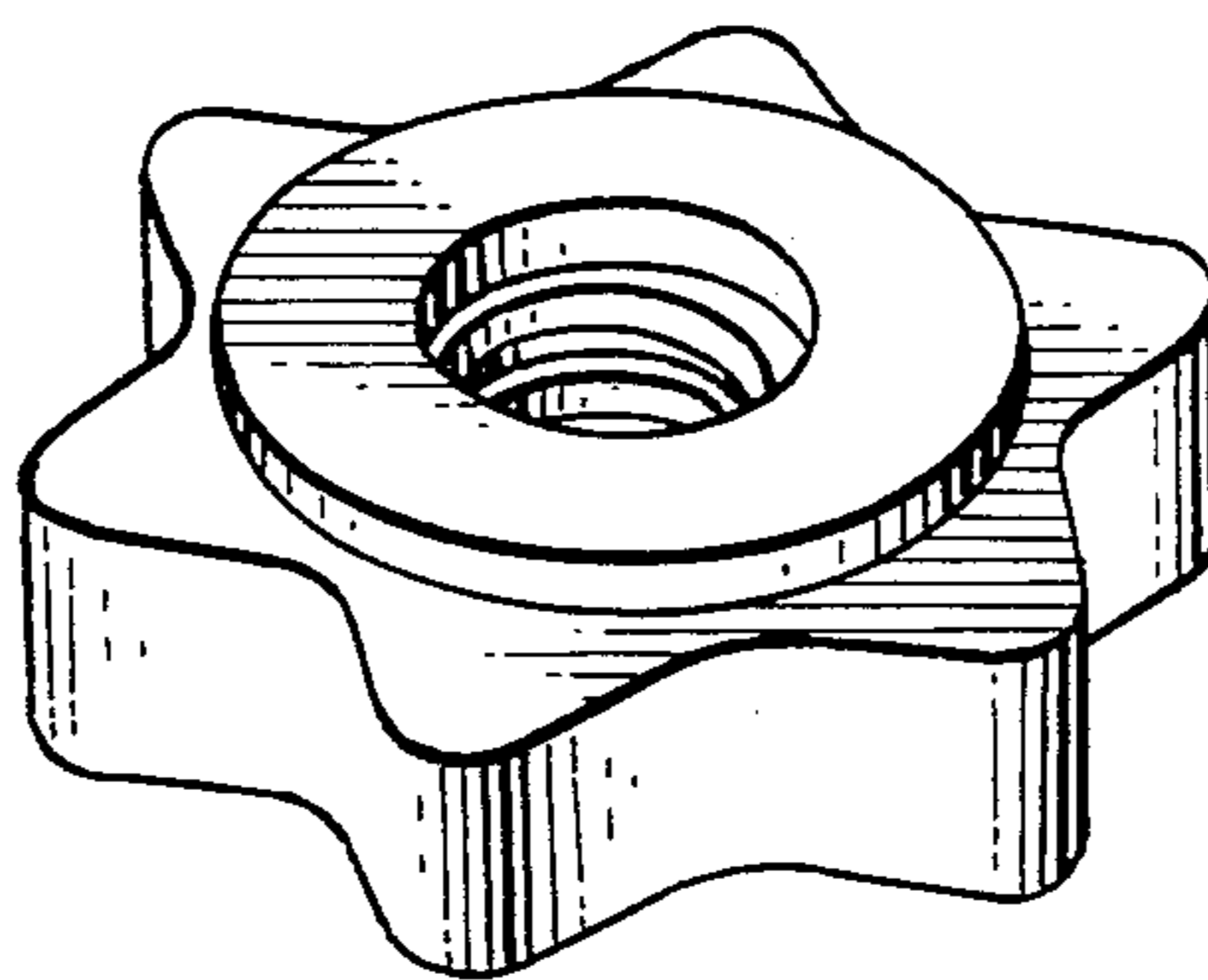
FIG. 3 is a side elevation view thereof taken from the right of FIG. 1;

FIG. 4 is a side elevation view thereof taken from the left of FIG. 1;

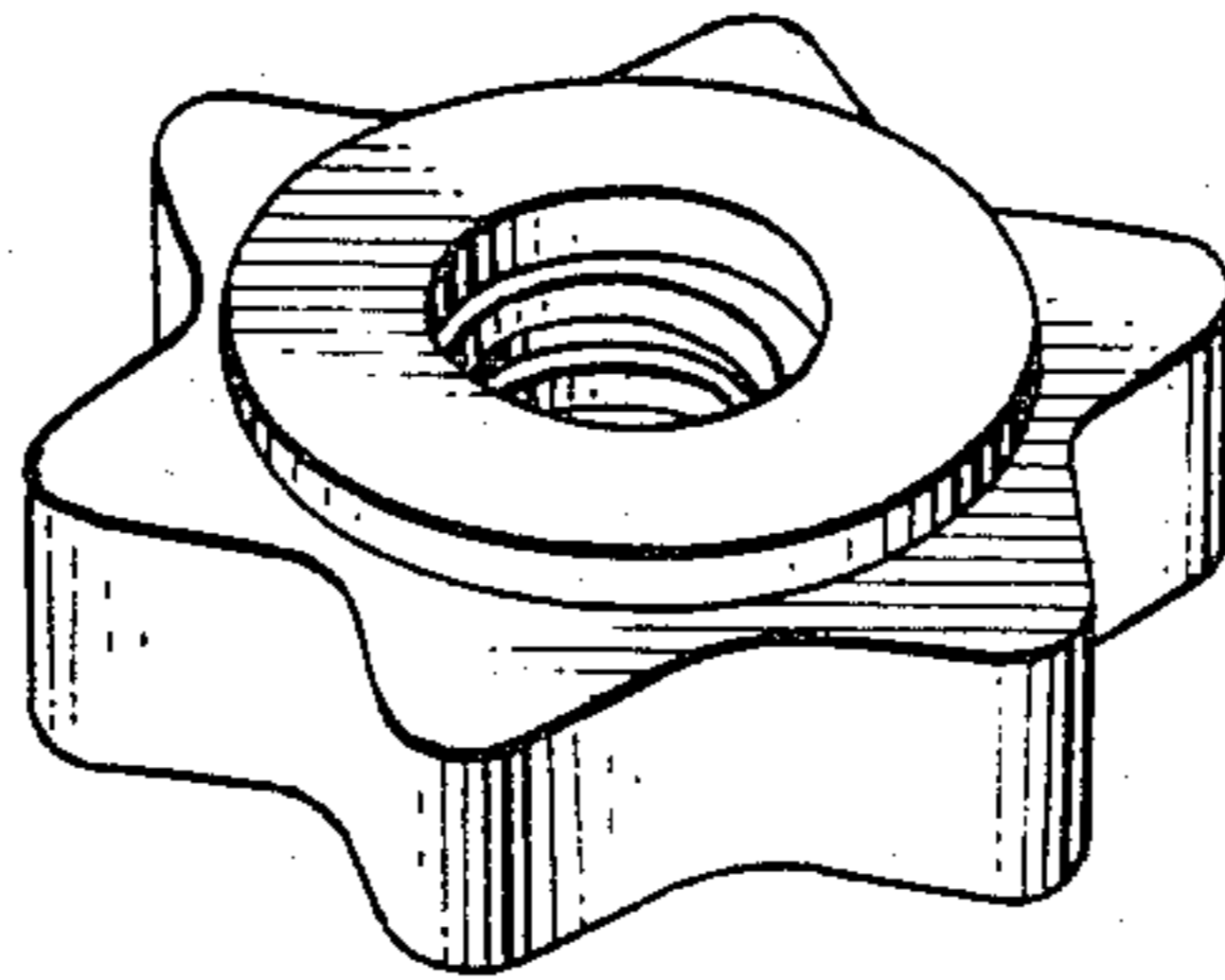
FIG. 5 is a rear elevation view thereof;

FIG. 6 is a top plan view thereof; and

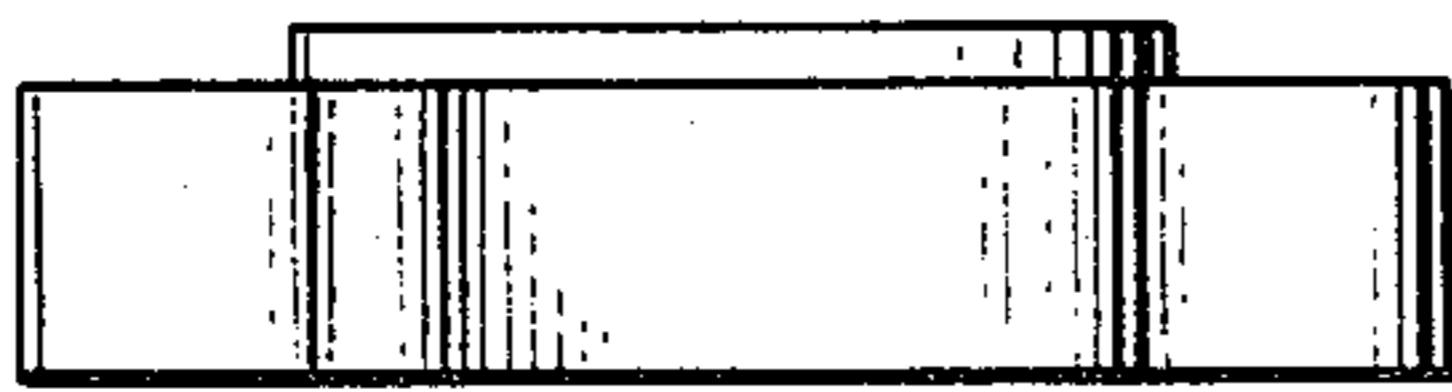
FIG. 7 is a bottom plan view thereof.



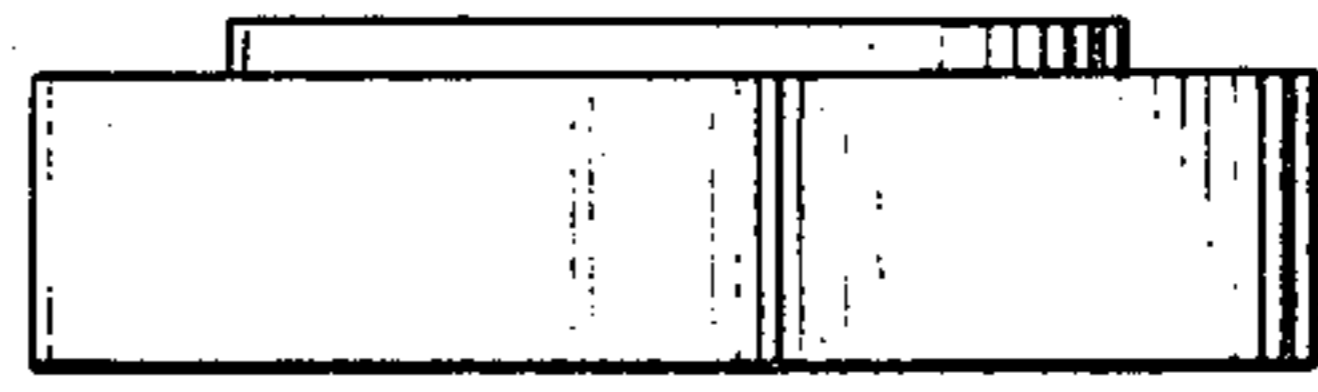
*Fig. 1*



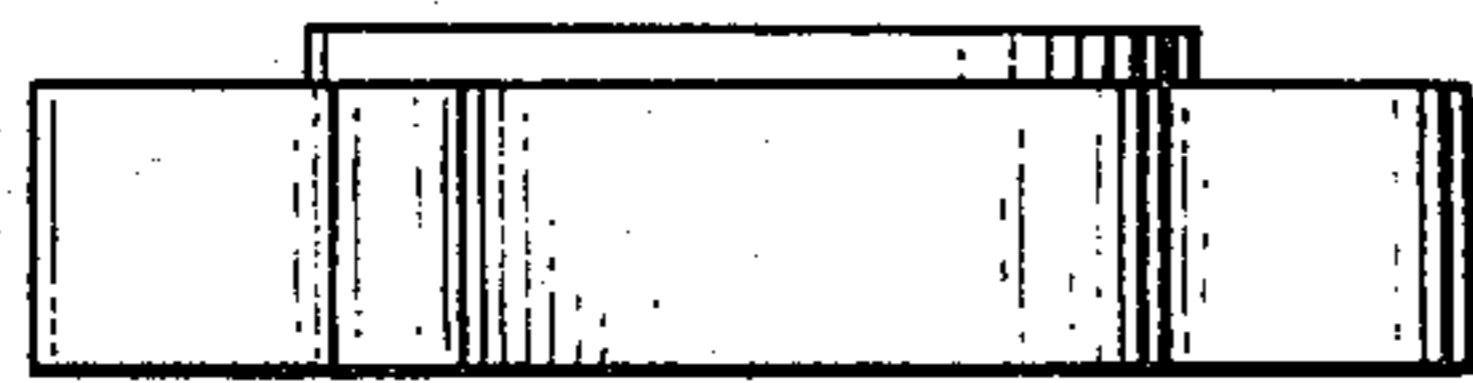
*Fig. 3*



*Fig. 2*



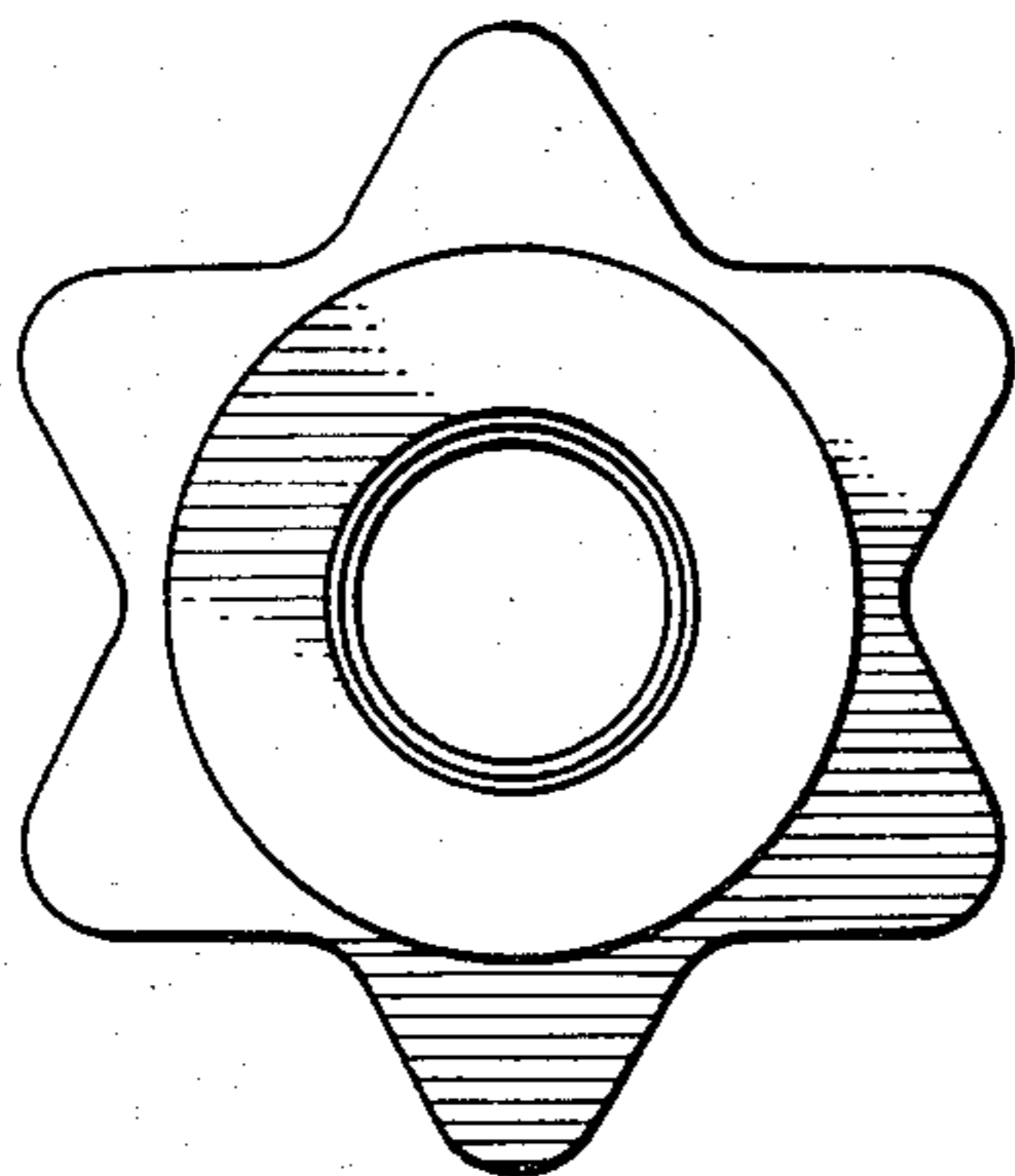
*Fig. 4*



*Fig. 5*



*Fig. 6*



*Fig. 7*

