

[54] SCREW DRIVER

[76] Inventor: Lee S. Tang, 14th Flr., Flat B, Kin Hing Industrial Bldg., 17-23 Shek Kin St., Kwai Chung, N.T., Kowloon, Hong Kong

[\*\*] Term: 14 Years

[21] Appl. No.: 279,135

[22] Filed: Jun. 30, 1981

[30] Foreign Application Priority Data

Dec. 30, 1980 [GB] United Kingdom ..... 998263  
[52] U.S. Cl. .... D8/82  
[58] Field of Search ..... D8/82, 86; 81/177, 436; 145/76, 61 C

[56] References Cited

U.S. PATENT DOCUMENTS

D. 248,537 7/1978 Smith ..... D8/82  
3,957,096 5/1976 Rodman ..... 145/76

FOREIGN PATENT DOCUMENTS

1456382 11/1976 United Kingdom ..... 145/76

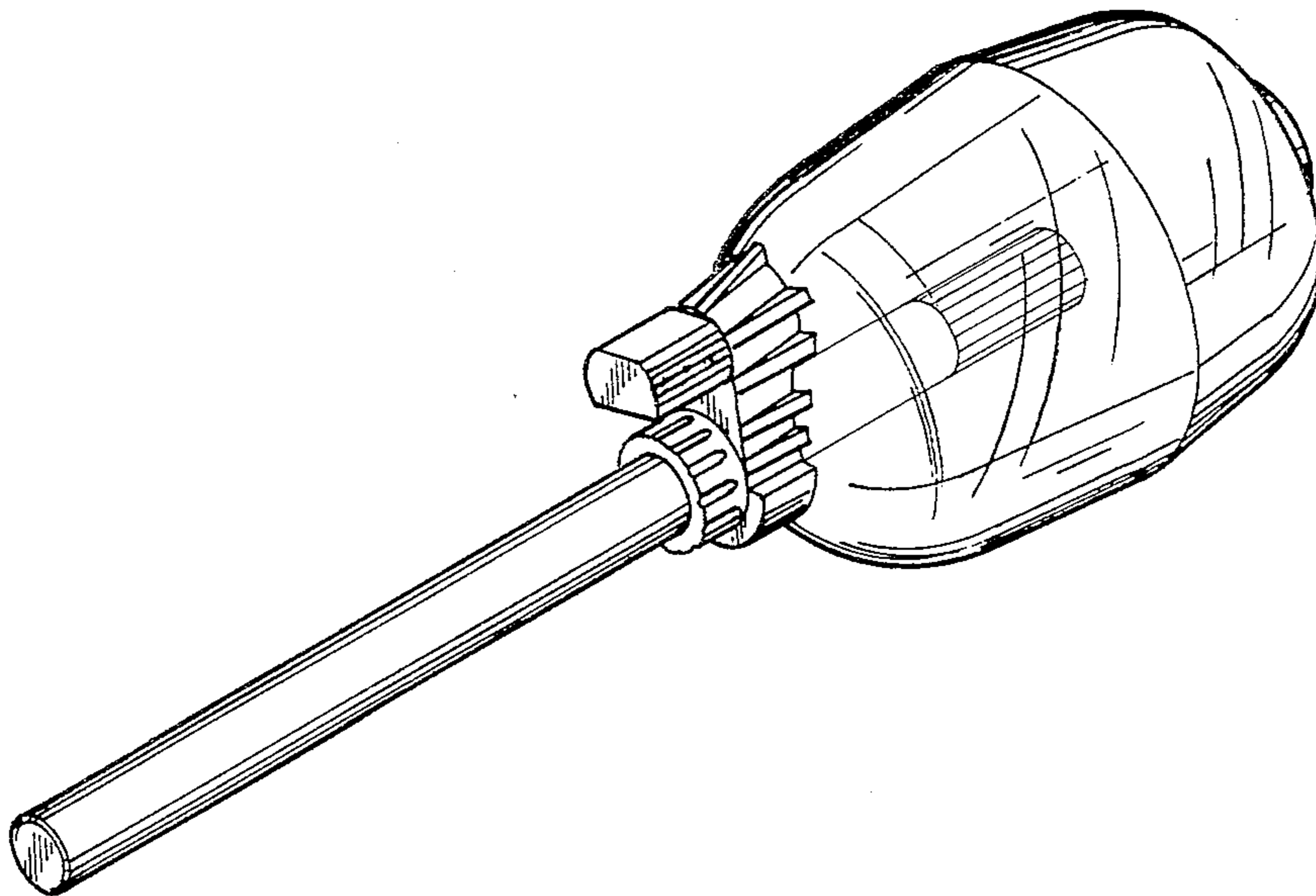
Primary Examiner—Susan J. Lucas

[57] CLAIM

The ornamental design for a screw driver, as shown and described.

DESCRIPTION

FIG. 1 is a rear perspective view taken from the bottom and one side of a screw driver showing my new design; FIG. 2 is a front perspective view thereof taken from the top and the opposite side; FIG. 3 is a front elevational view thereof; FIG. 4 is a side elevational view thereof; FIG. 5 is a bottom plan view thereof; FIG. 6 is a top plan view thereof.



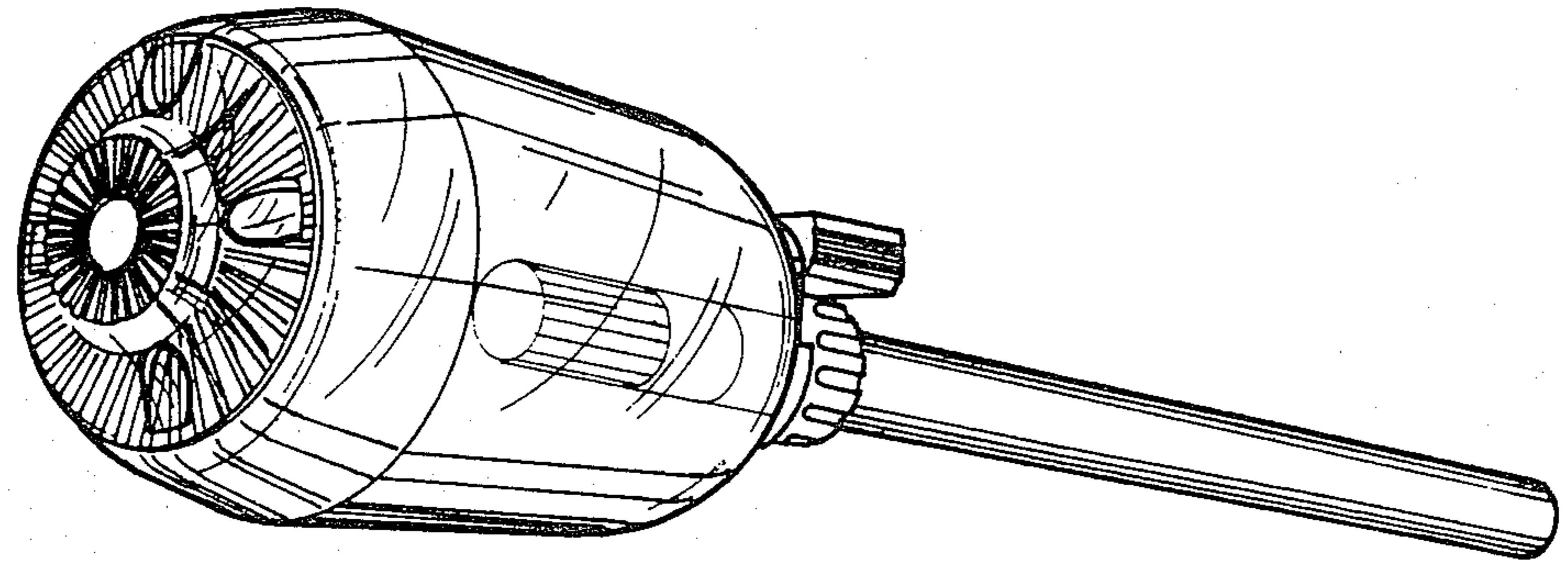


FIG. 1.

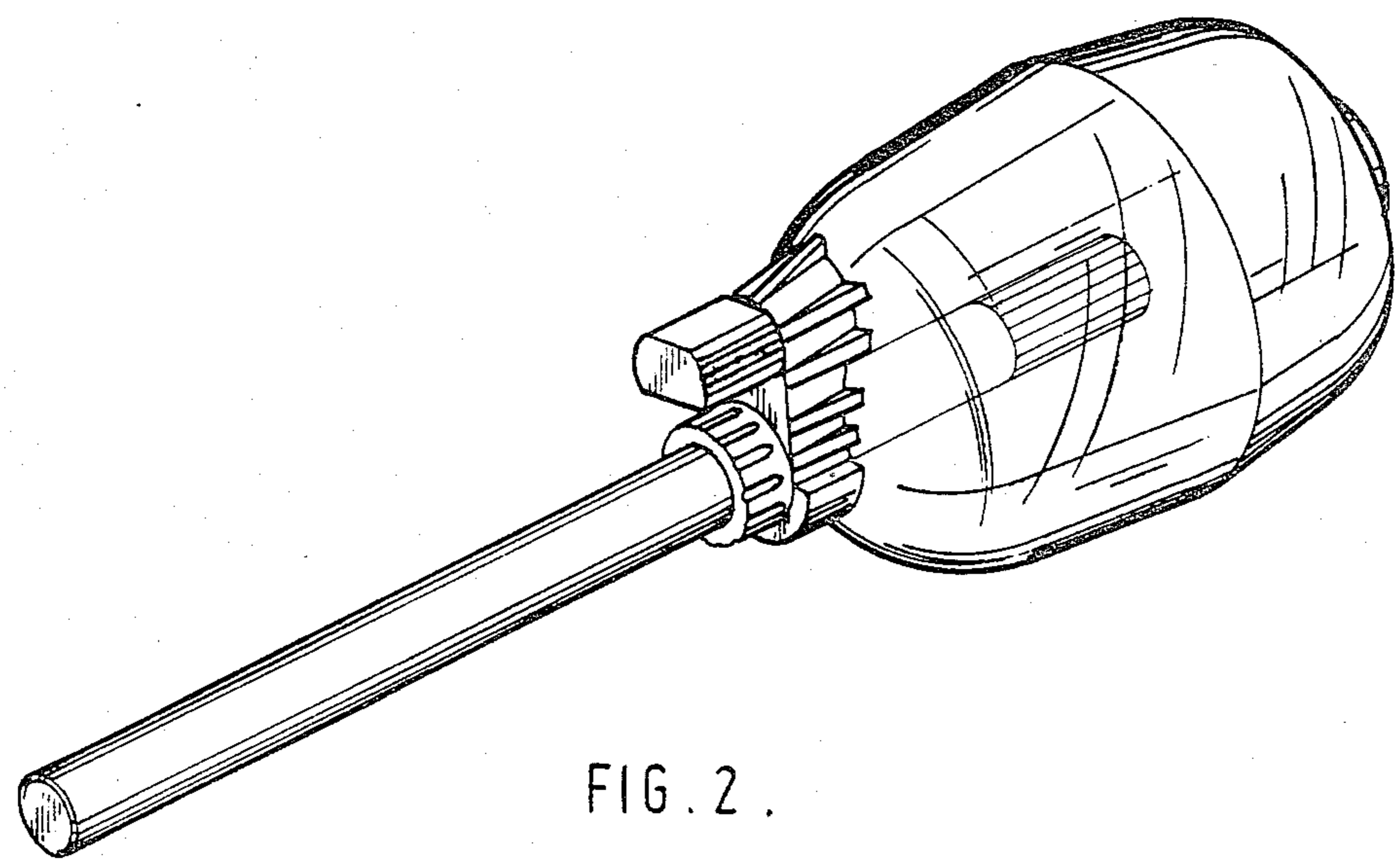


FIG. 2.

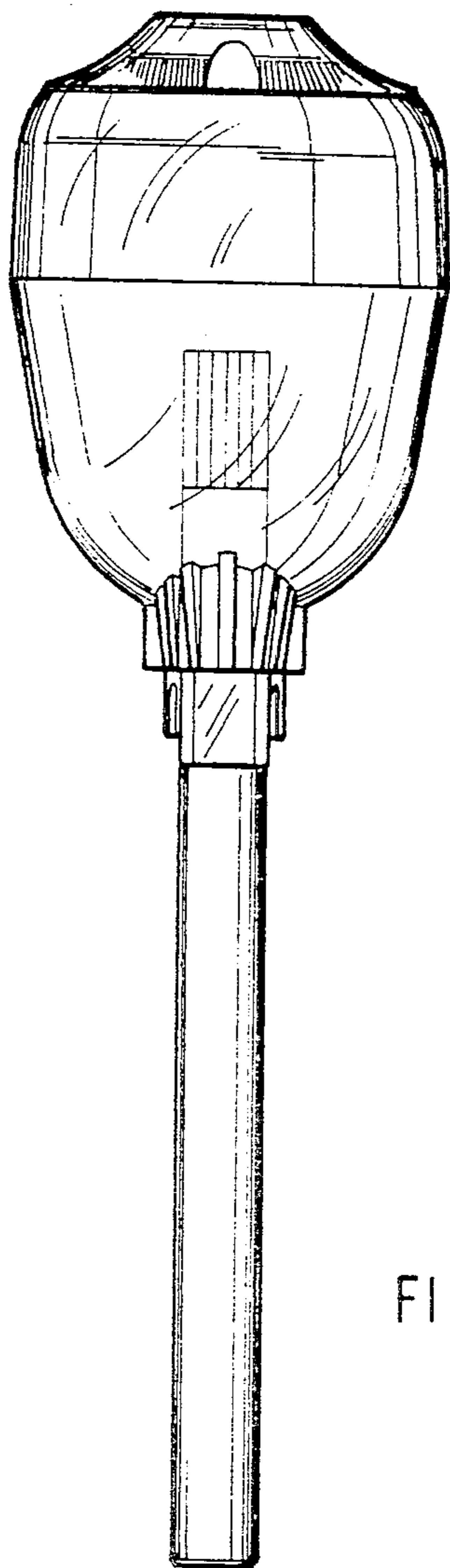


FIG. 3.

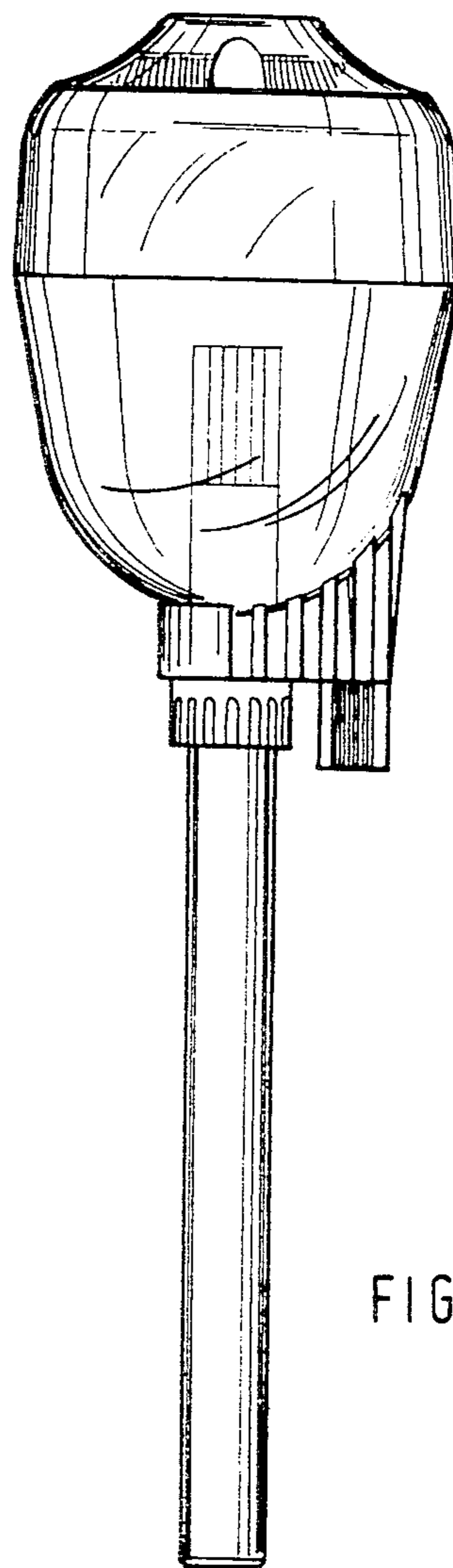


FIG. 4.

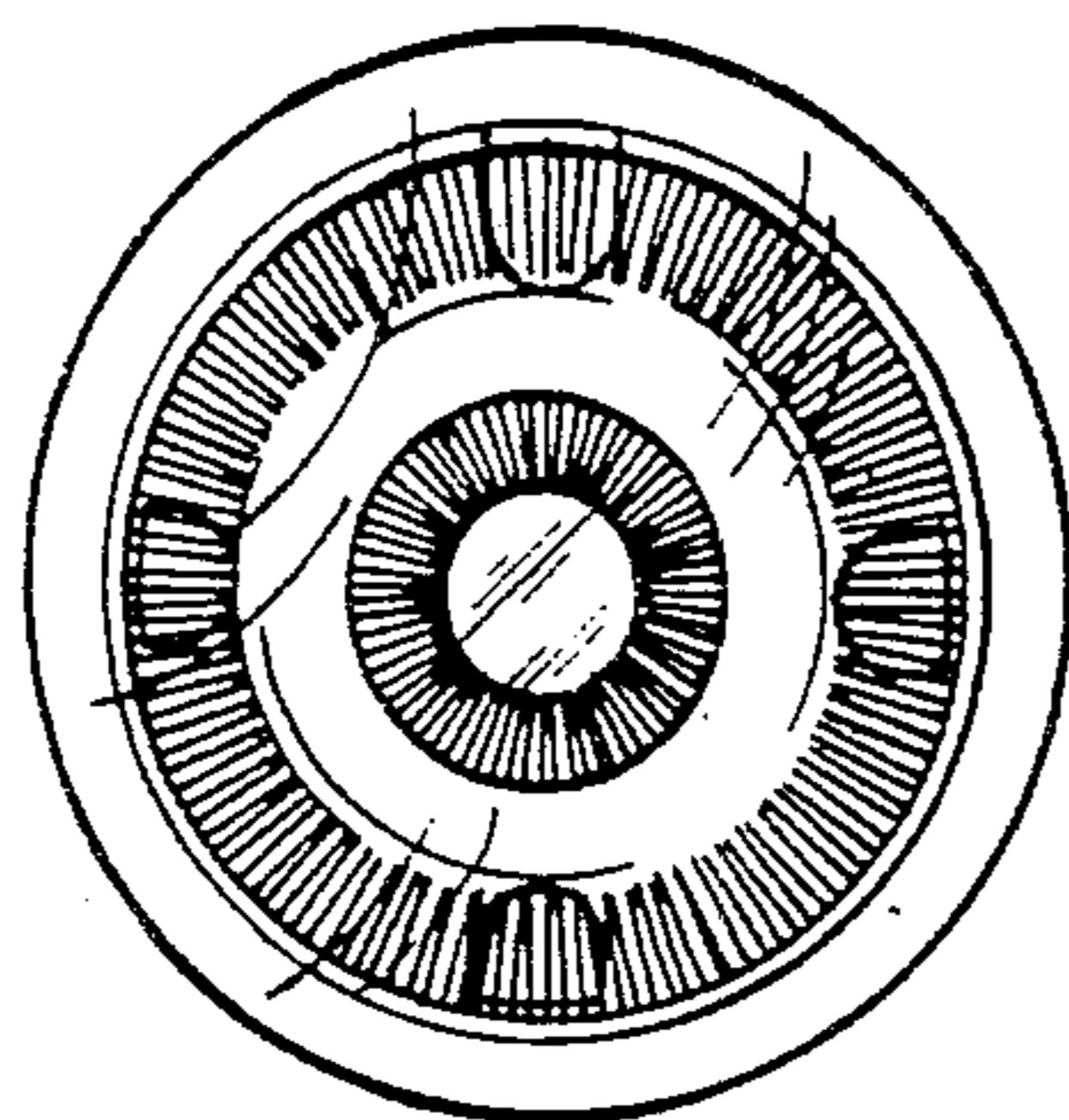


FIG. 5.

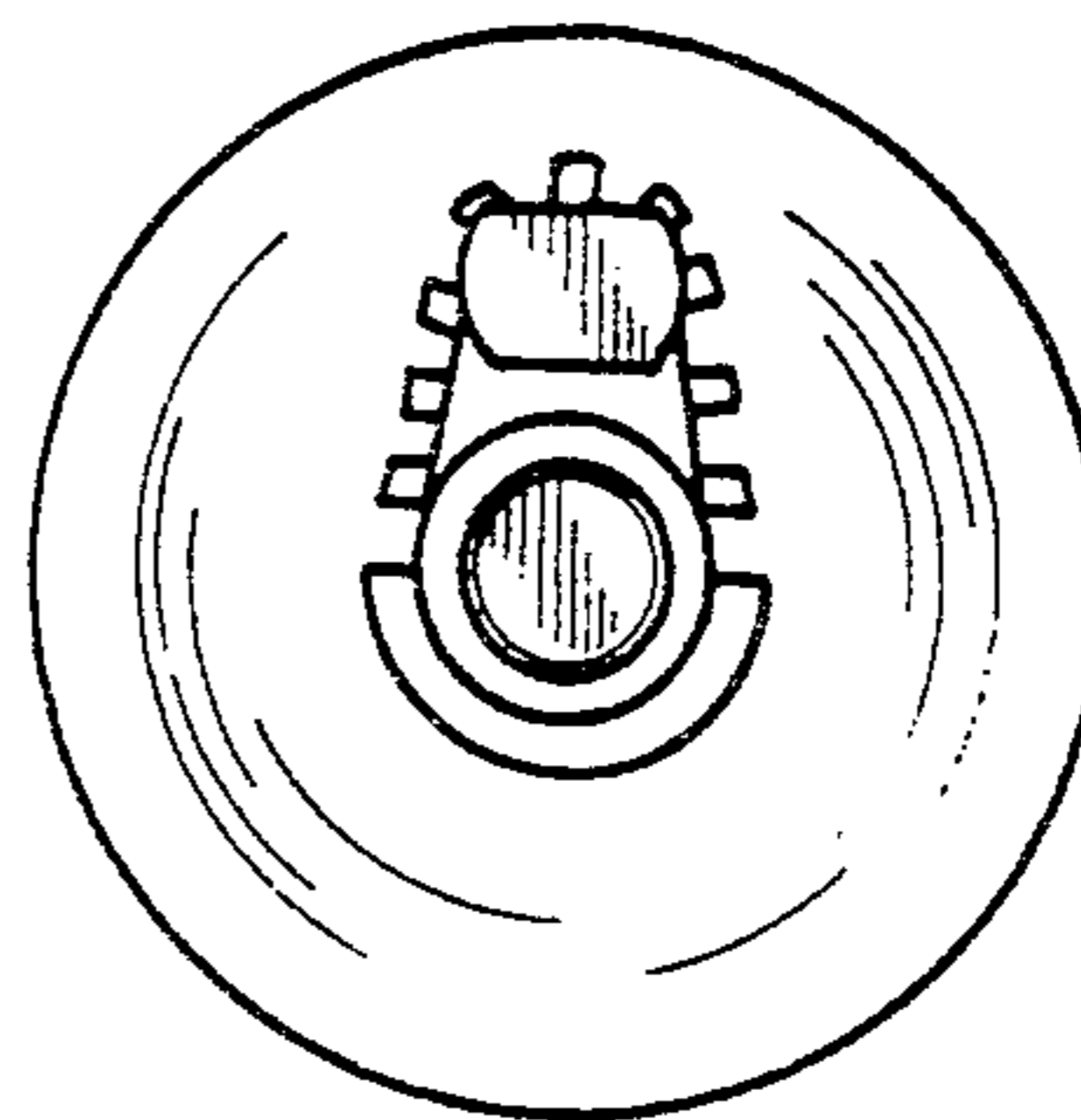


FIG. 6.

UNITED STATES PATENT AND TRADEMARK OFFICE  
**CERTIFICATE OF CORRECTION**

PATENT NO. : Des. 278,027  
DATED : March 19, 1985  
INVENTOR(S) : Tang

It is certified that error appears in the above-identified patent and that said Letters Patent is hereby corrected as shown below:

Title Page, under No. "[76]  
Inventor:"

Insert:--[73] Assignee:  
Hung Sang Metal Plastic  
Factory Limited, Hong Kong-

**Signed and Sealed this**  
**Twenty-fourth Day of February, 1987**

*Attest:*

*Attesting Officer*

DONALD J. QUIGG

*Commissioner of Patents and Trademarks*

UNITED STATES PATENT AND TRADEMARK OFFICE  
**CERTIFICATE OF CORRECTION**

PATENT NO. : Des. No. 278,027

DATED : March 19, 1985

INVENTOR(S) : Lee S. Tang

It is certified that error appears in the above-identified patent and that said Letters Patent is hereby corrected as shown below:

On the title page,

Item [76] Inventor: "Lee S. Tang" should read

-- Lee Shek Tang --.

**Signed and Sealed this**  
**Twenty-sixth Day of May, 1987**

*Attest:*

DONALD J. QUIGG

*Attesting Officer*

*Commissioner of Patents and Trademarks*