

[54] TAB TOP CAN OPENER

[75] Inventors: Ronald J. Hoffman, Germantown, Tenn.; Joy E. Tiffin, Alexandria, Va.; Paula L. Kovarik, Memphis, Tenn.; Susan C. Moinester, Memphis, Tenn.; Thomas H. Miller, Cordova, Tenn.

[73] Assignee: The Ron Hoffman Group, Inc., Memphis, Tenn.

[**] Term: 14 Years

[21] Appl. No.: 484,277

[22] Filed: Apr. 12, 1983

[52] U.S. Cl. D8/40; 81/3.46 R

[58] Field of Search D8/16, 18, 33-43; 81/3.1 R, 3.3 A, 3.46 R, 3.46 A, 3.34; 7/151, 170, 138; D9/438

[56] References Cited

U.S. PATENT DOCUMENTS

D. 201,647 7/1965 Bozek et al. D9/438

D. 228,224 8/1973 Schlanger D8/43 X
D. 244,915 7/1977 Cudzik D9/438
D. 254,156 2/1980 Swartz et al. D8/40
D. 275,373 9/1984 Brown et al. D9/438
2,481,284 9/1949 Bloomfield et al. 81/3.1 R

Primary Examiner—Bernard Ansher
Assistant Examiner—Terry Pfeffer
Attorney, Agent, or Firm—Antonelli, Terry & Wands

[57] CLAIM

The ornamental design for a tab top can opener, as shown and described.

DESCRIPTION

FIG. 1 is a top, front, right side perspective view of a tab top can opener showing my new design; FIG. 2 is a top plan view thereof; FIG. 3 is a bottom plan view thereof; FIG. 4 is a side elevation view thereof, the opposite side is a mirror image; FIG. 5 is a front elevational view thereof; and FIG. 6 is a rear elevation view thereof.

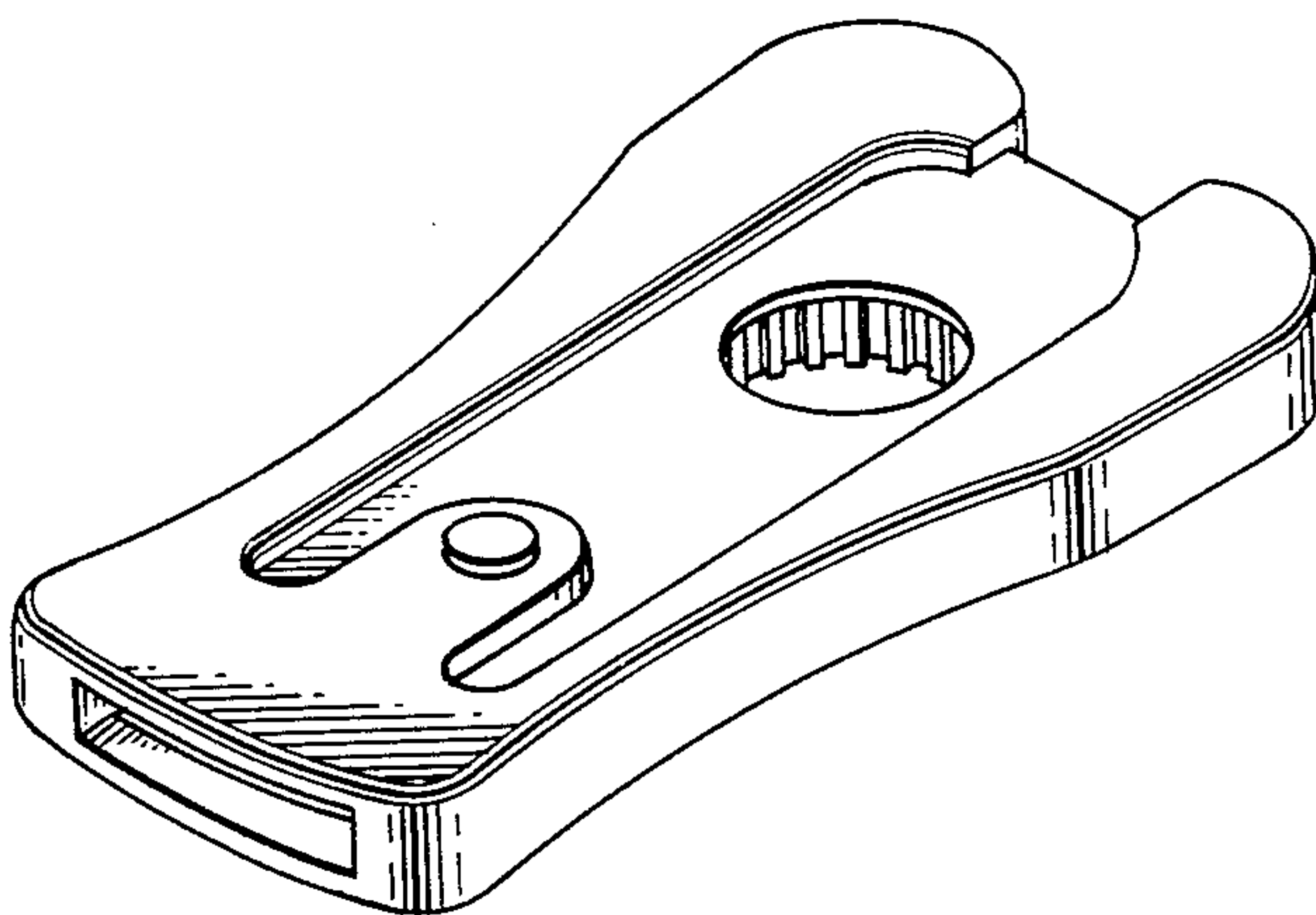


FIG. 1.

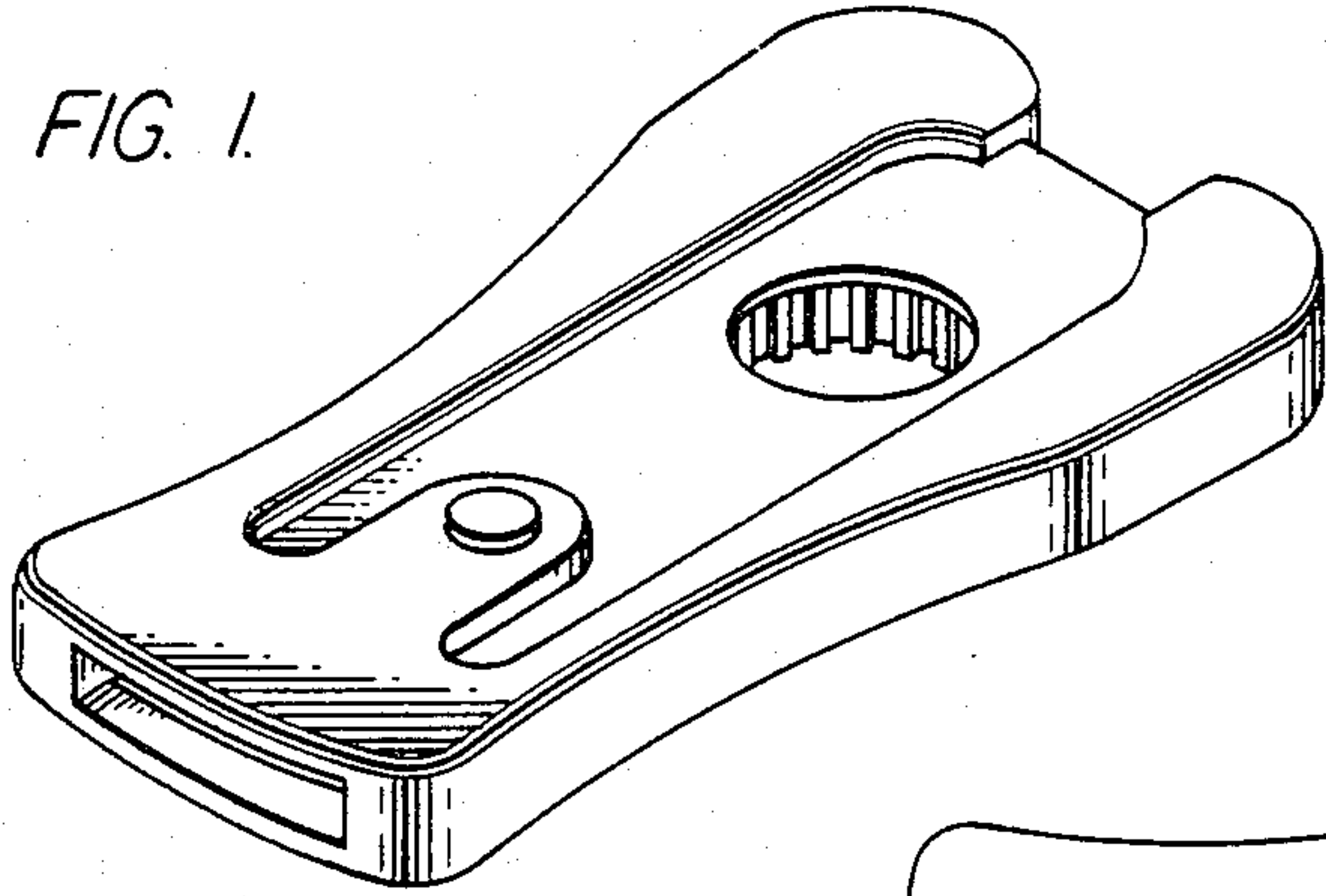


FIG. 2.

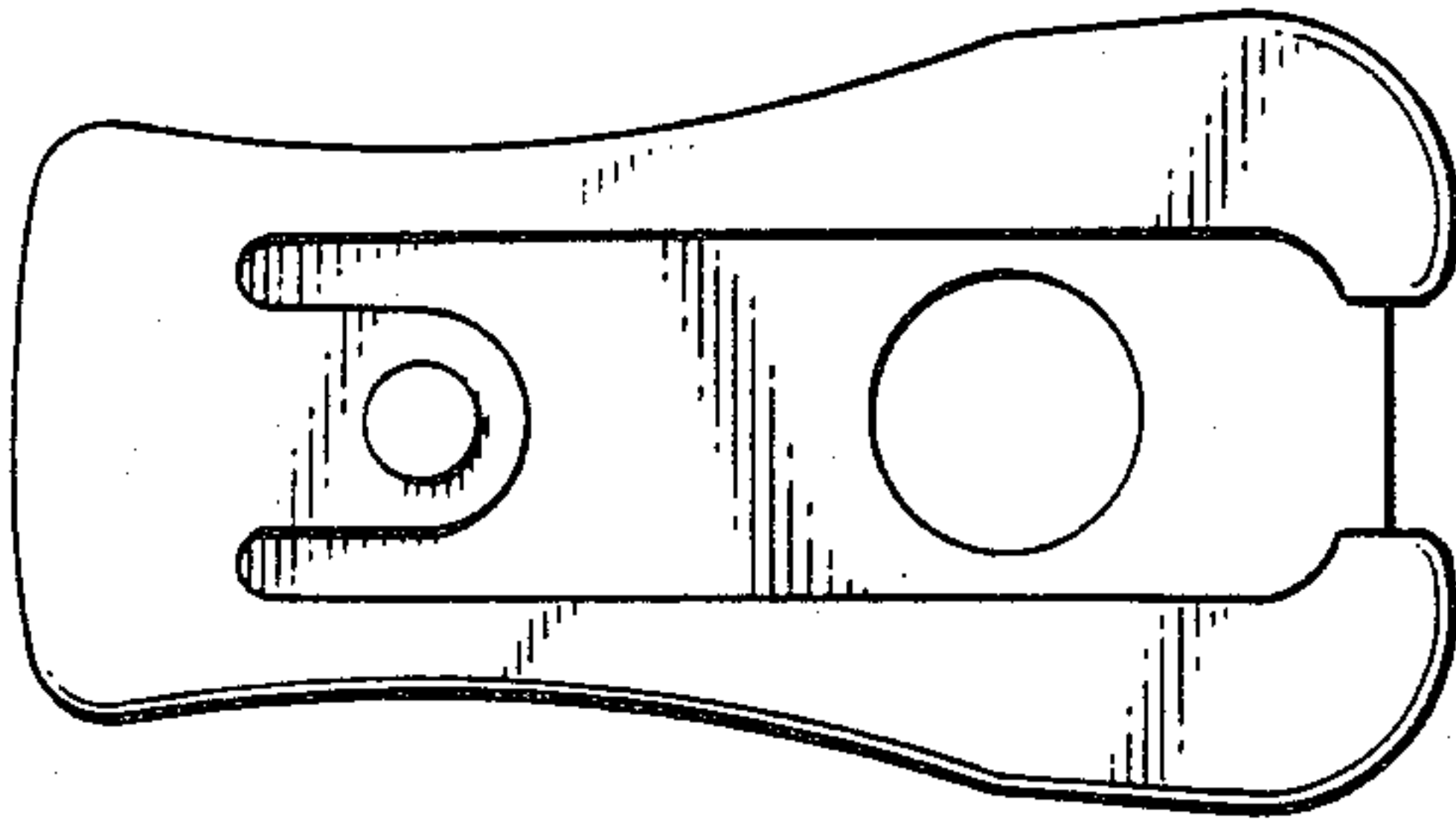


FIG. 3.

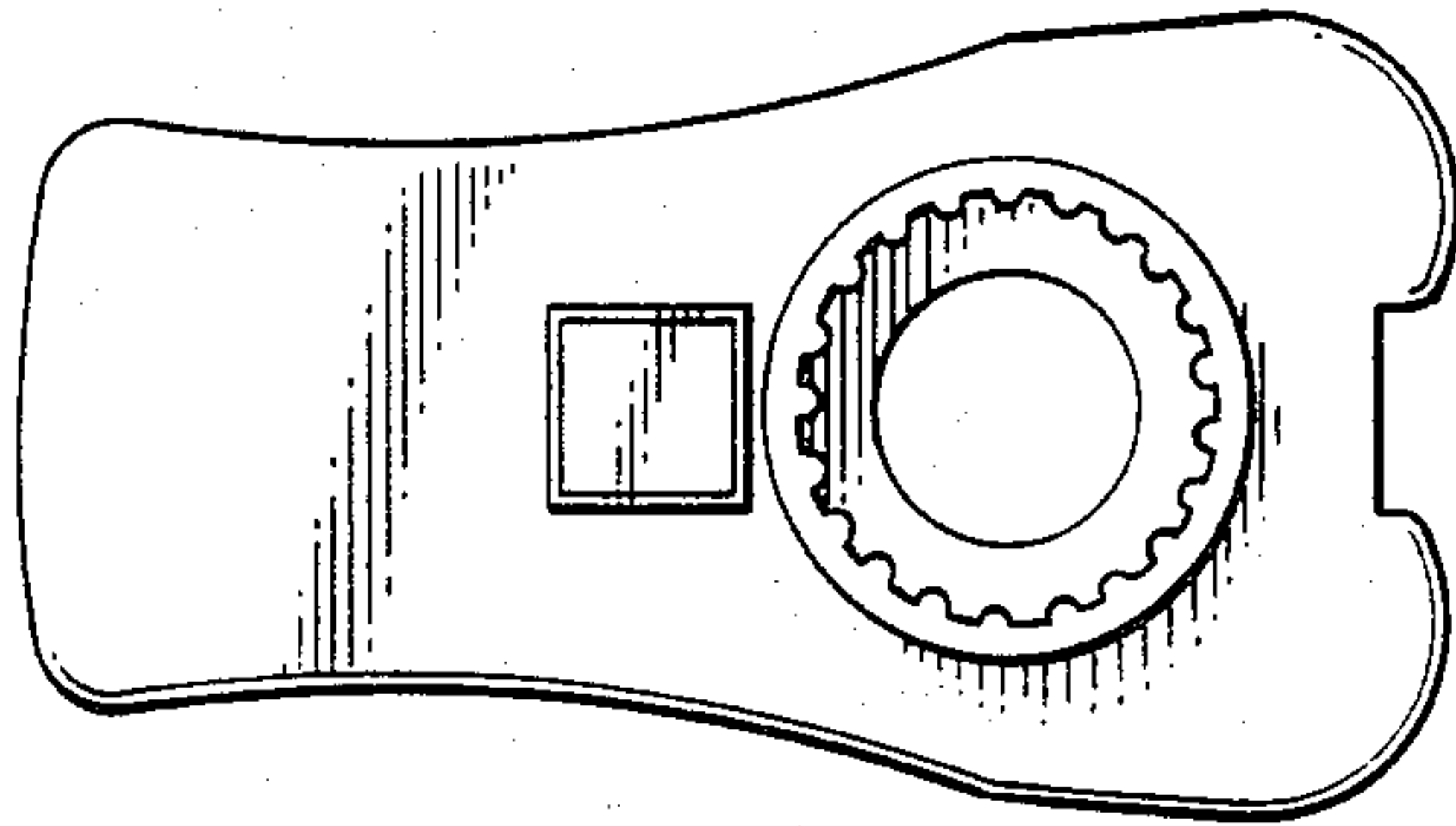


FIG. 4.

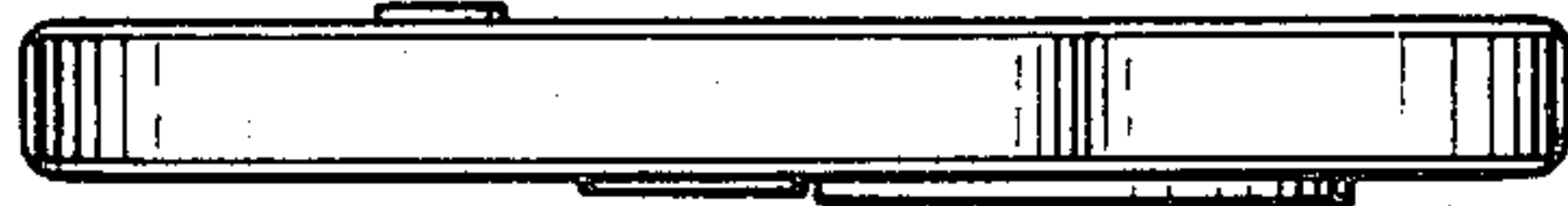


FIG. 5.

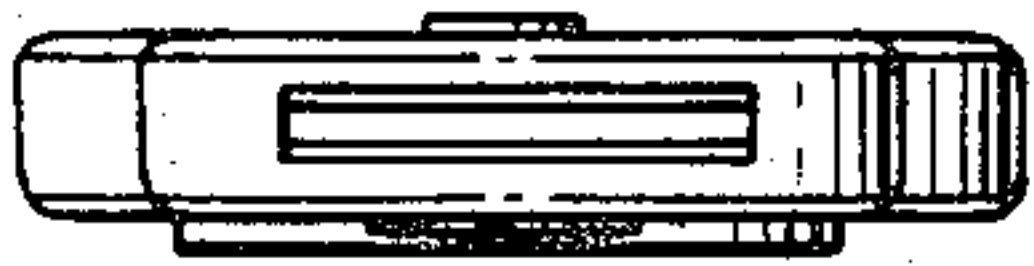


FIG. 6.

