

[54] COMBINED LEG SUPPORT AND ASH CATCHER FOR OUTDOOR COOKER OR SIMILAR ARTICLE

[75] Inventors: Erich J. Schlosser, Lindenhurst; George Stephen, Jr., Arlington Heights, both of Ill.

[73] Assignee: Weber-Stephen Products Co., Palatine, Ill.

[**] Term: 14 Years

[21] Appl. No.: 375,808

[22] Filed: May 7, 1982

[52] U.S. Cl. D7/332; D7/403

[58] Field of Search D7/331-337; 126/9 R, 9 A, 9 B, 25 R, 25 A, 25 AA, 25 B, 25 C, 29, 30

[56] References Cited

U.S. PATENT DOCUMENTS

D. 222,311	10/1971	Wilkinson et al.	D7/332
D. 223,042	2/1972	Wilkinson et al.	D7/334
2,828,175	3/1958	Barkules	126/25 R
3,062,128	11/1962	Louthan	126/25 A
3,330,266	7/1967	Stephen	D7/334

3,688,758 9/1972 Stephen, Jr. 126/25 A

OTHER PUBLICATIONS

Housewares—vol. 177,178 Oct. 1979 p. 15 Weber Barbecue.

Best Products Catalog 1980/81 p. 368 Item F—Weber Smokey Joe Portable Grill.

Primary Examiner—A. Hugo Word

Assistant Examiner—Lynn Wilder

Attorney, Agent, or Firm—Robert E. Wagner; Ralph R. Rath

[57] CLAIM

The ornamental design for a combined leg support and ash catcher for outdoor cooker or similar article, as shown and described.

DESCRIPTION

FIG. 1 is a perspective view of a combined leg support and ash catcher for outdoor cooker or similar article showing our new design;

FIG. 2 is a rear elevation view thereof; and,

FIG. 3 is a bottom plan view thereof.

The dotted line disclosure shown in all views is for illustrative purposes only and forms no part of the claimed design.

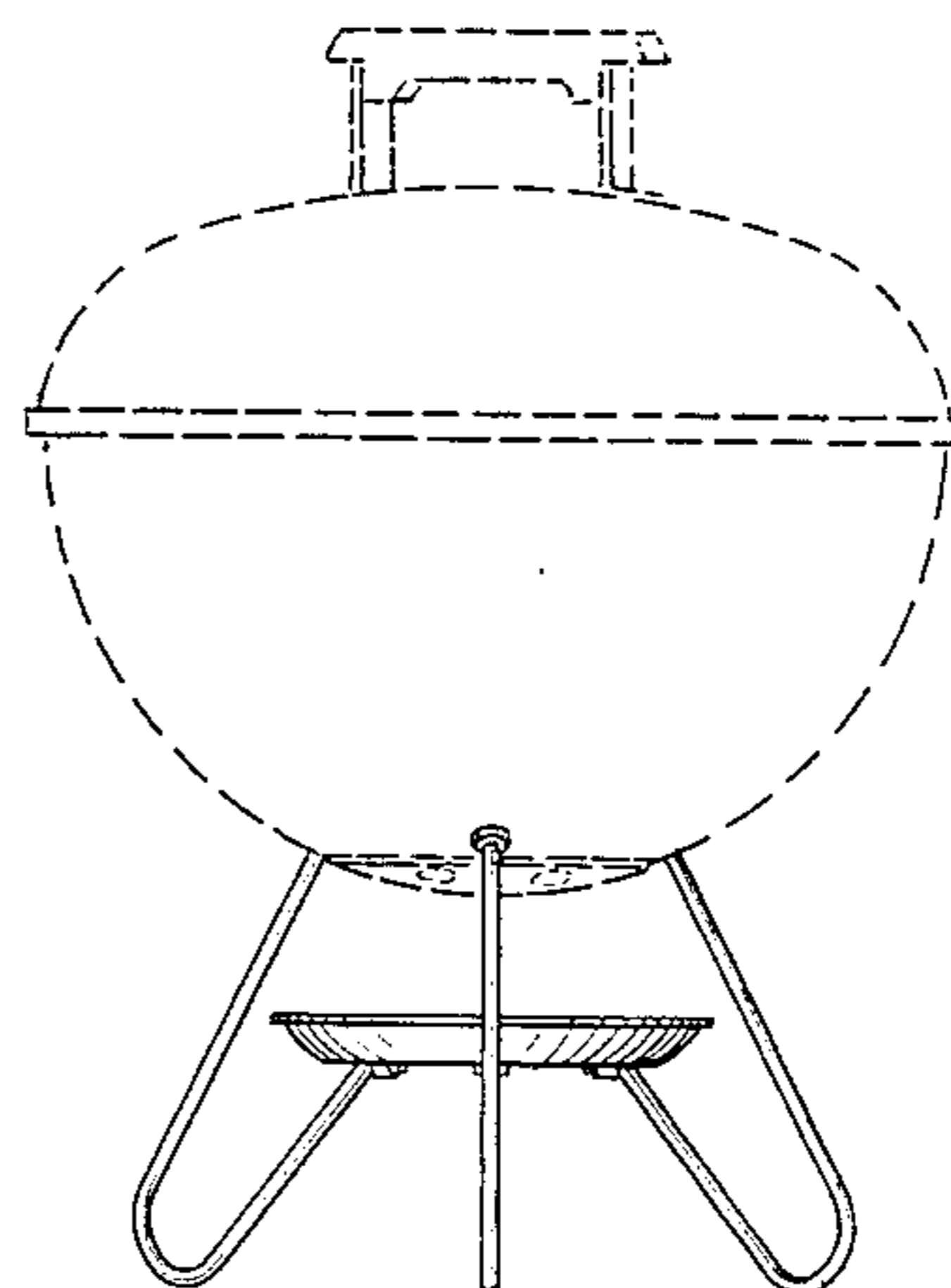
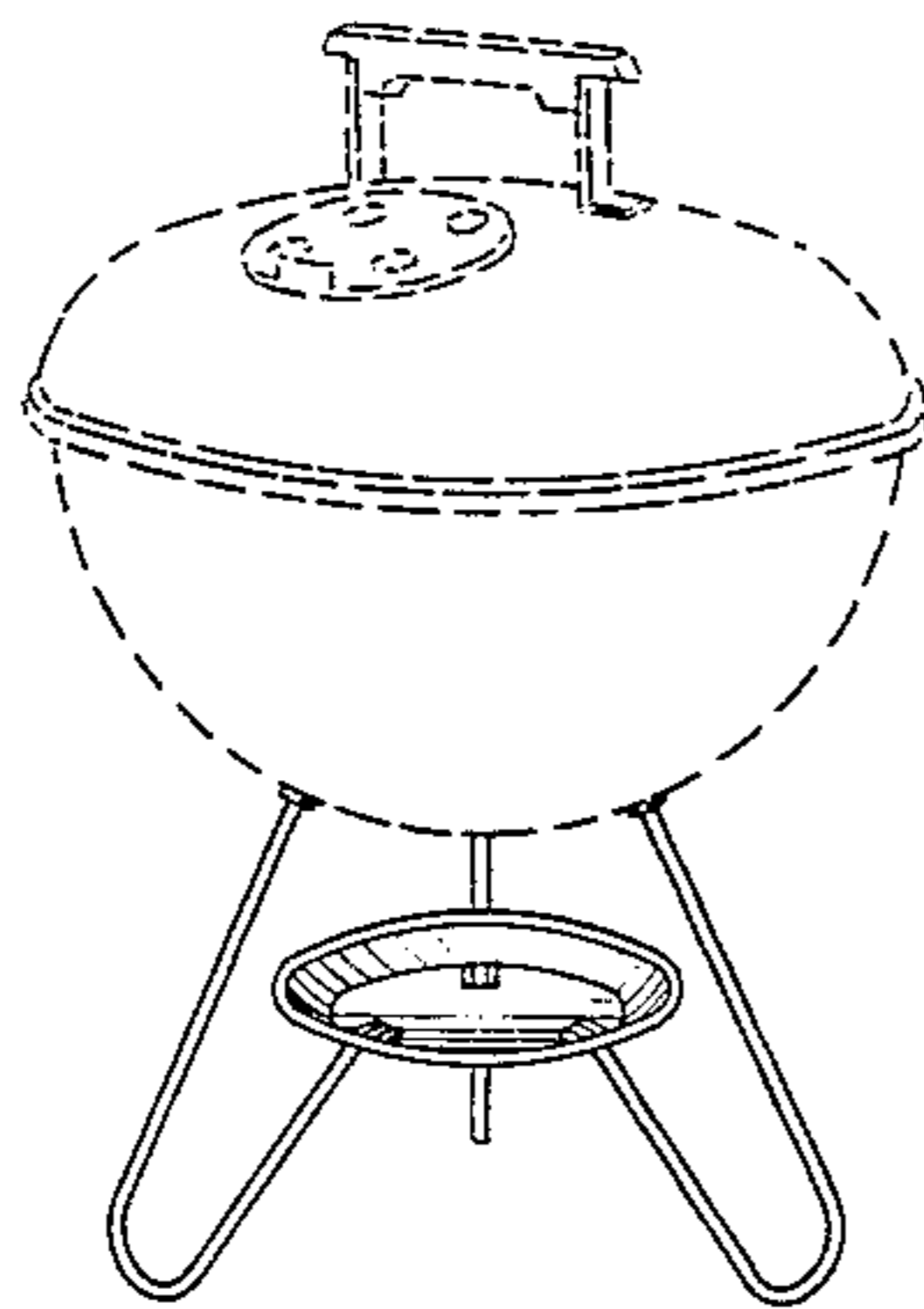


FIG. 1.

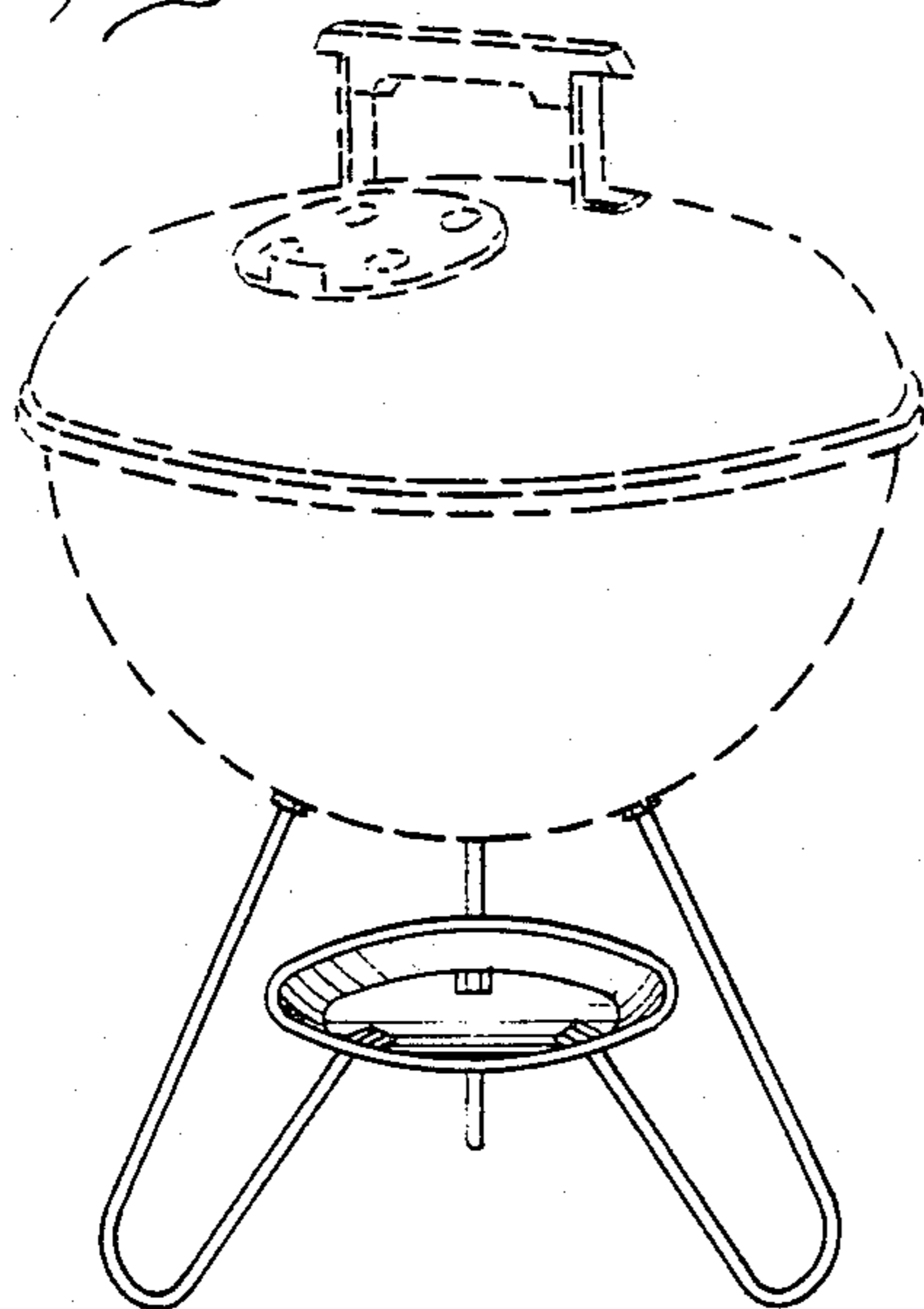


FIG. 2.

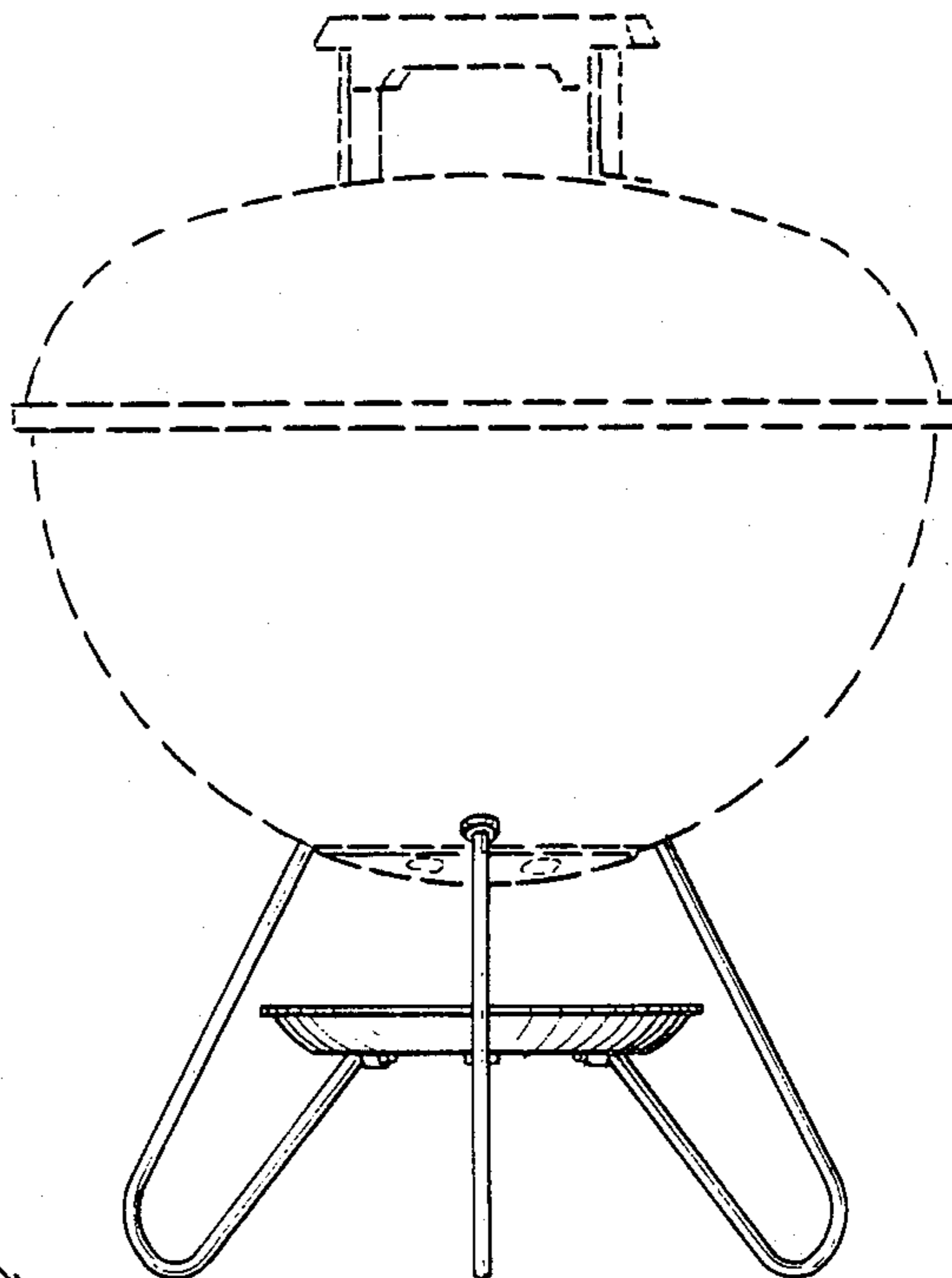


FIG. 3.

