

[54] **TEAPOT**  
[76] **Inventor:** **Walter Everhan**, Weissshausstrasse  
34-38, D-5000 Kohn 41, Fed. Rep. of  
Germany  
[\*\*] **Term:** **14 Years**  
[21] **Appl. No.:** **438,979**  
[22] **Filed:** **Nov. 3, 1982**  
[52] **U.S. Cl.** ..... **D7/321**  
[58] **Field of Search** ..... **D7/312-322**

[56] **References Cited**  
**U.S. PATENT DOCUMENTS**  
D. 26,436 12/1896 Wojidow ..... D7/322  
D. 48,652 2/1916 Richheimer ..... D7/321  
D. 157,408 2/1950 Parentice ..... D7/321 X  
D. 172,077 5/1954 Barnhart ..... D7/321  
2,105,201 1/1938 Richheimer ..... D7/321 X

**OTHER PUBLICATIONS**  
*Bloomington's ABC's of Easy Living Cat.*, p. 4 of center

book, top r. panel, Rosenthal "Romance White" Teapot.

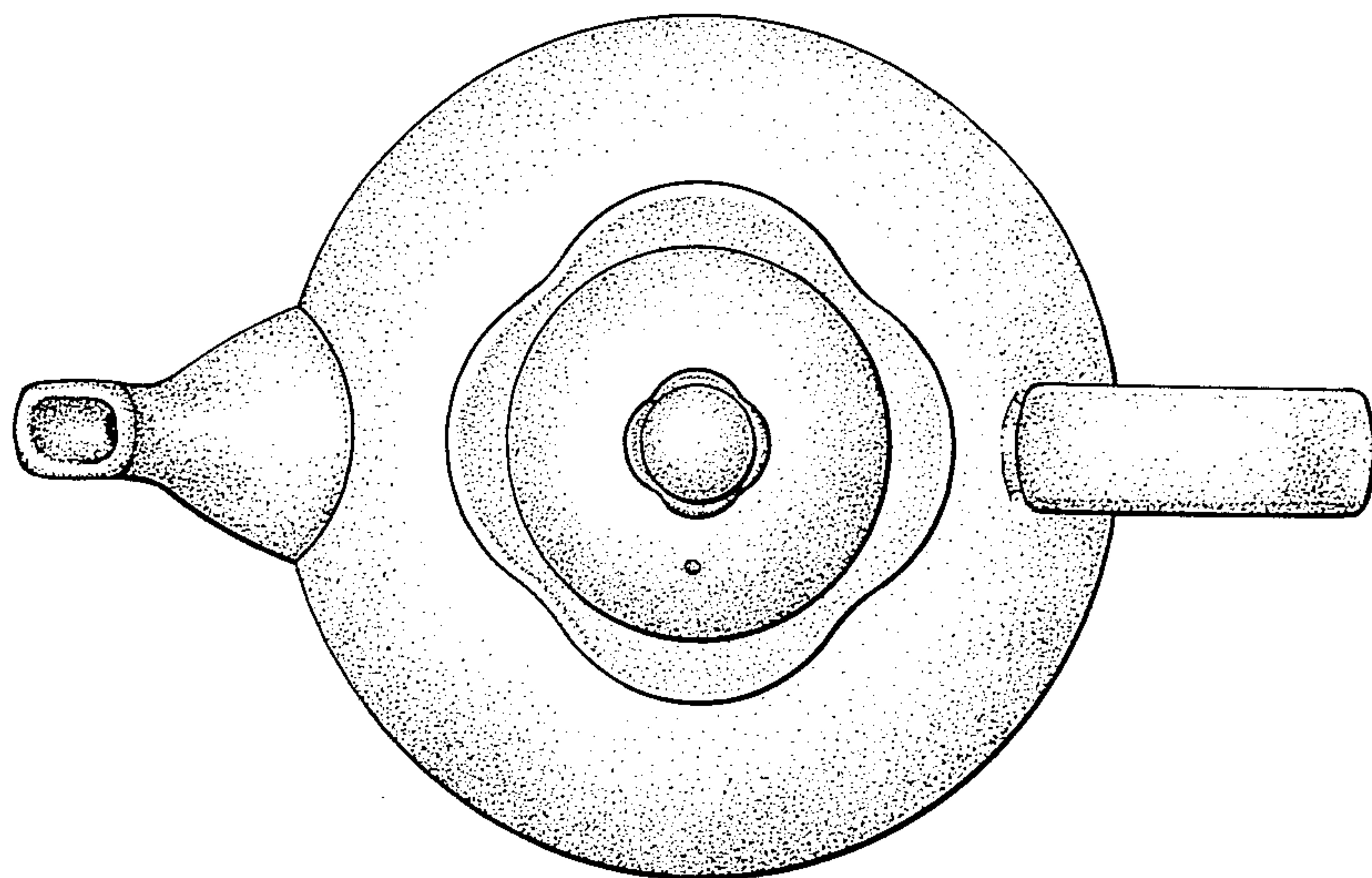
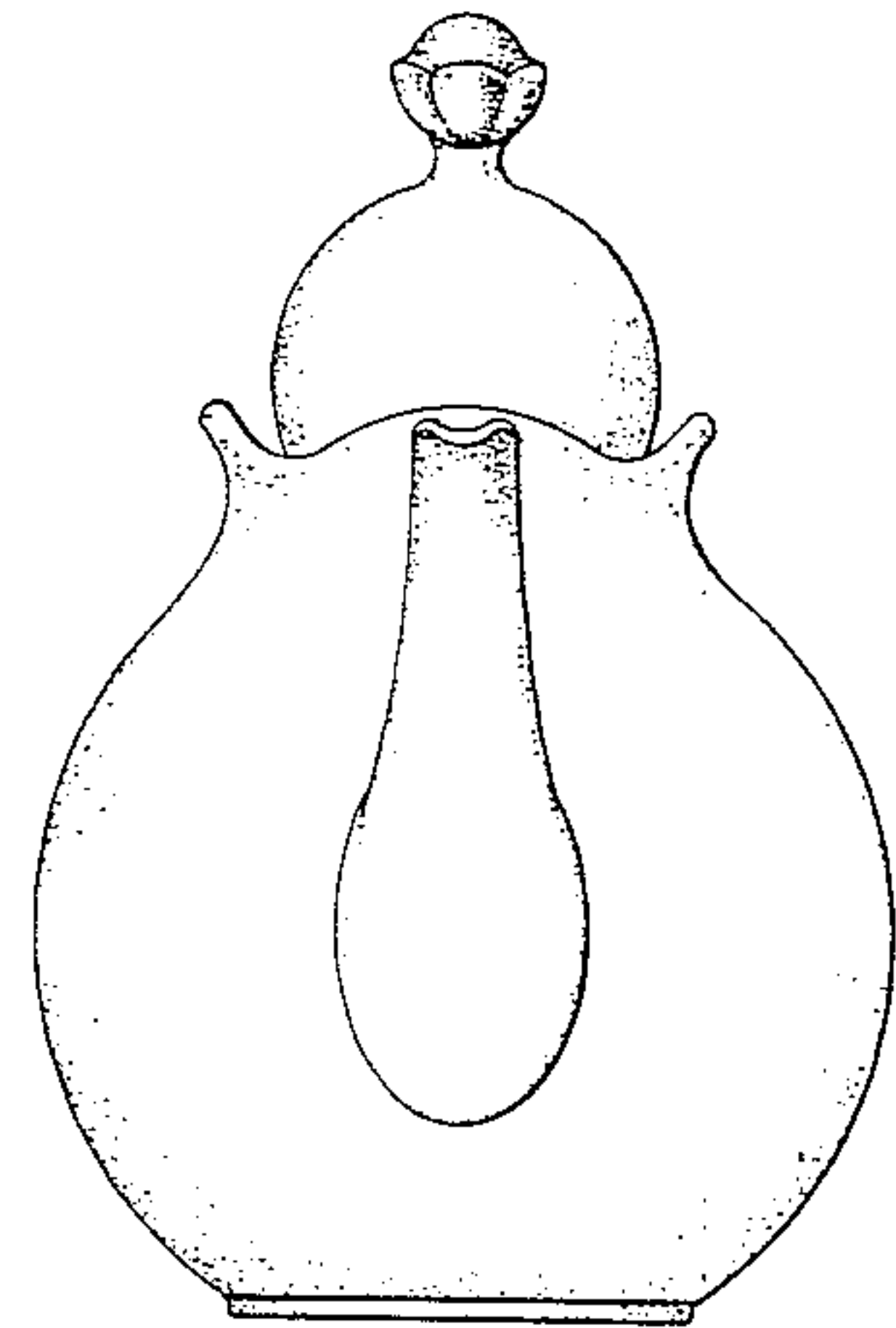
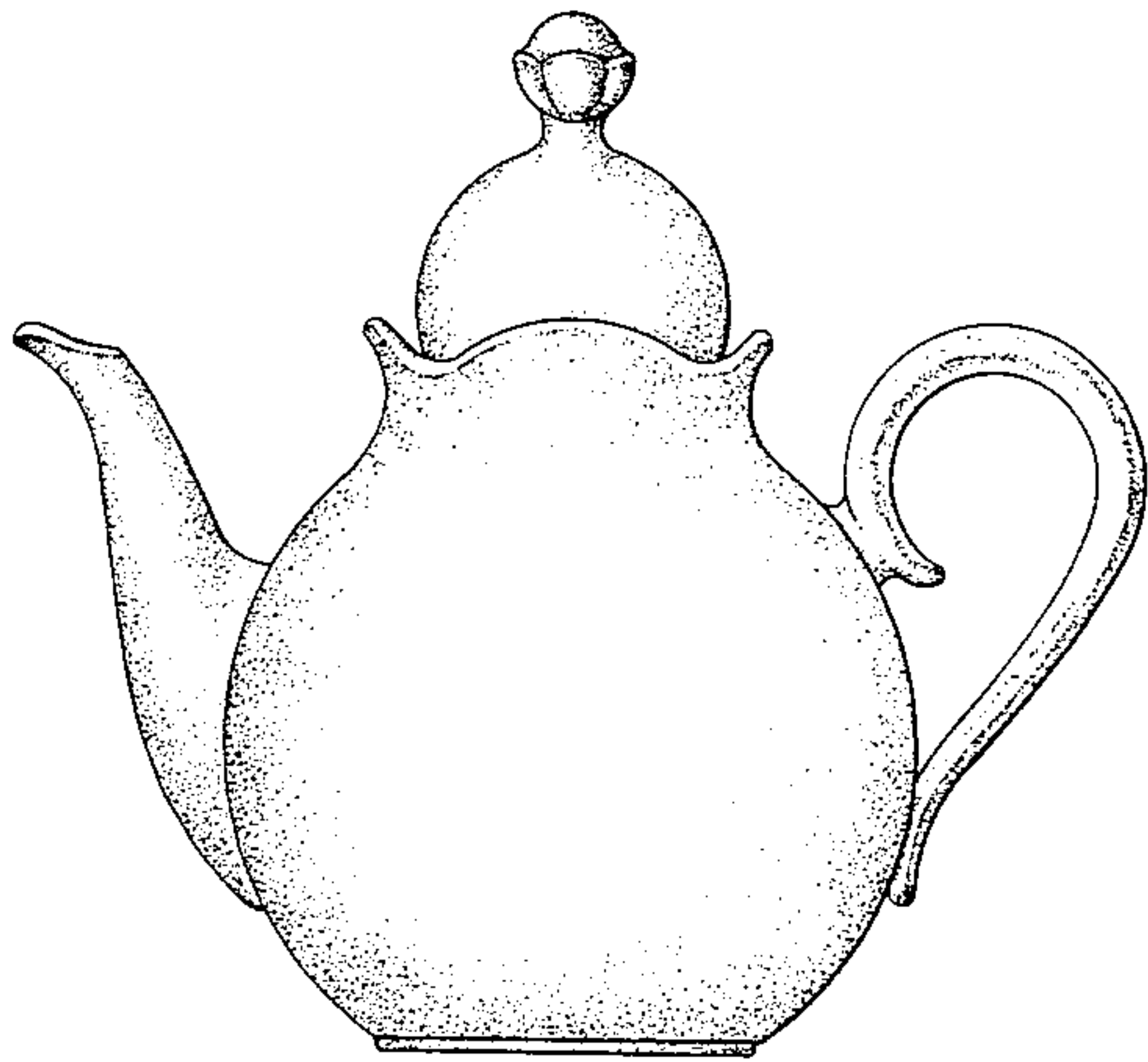
*Primary Examiner*—Winifred E. Herrmann  
*Attorney, Agent, or Firm*—George J. Brandt, Jr.

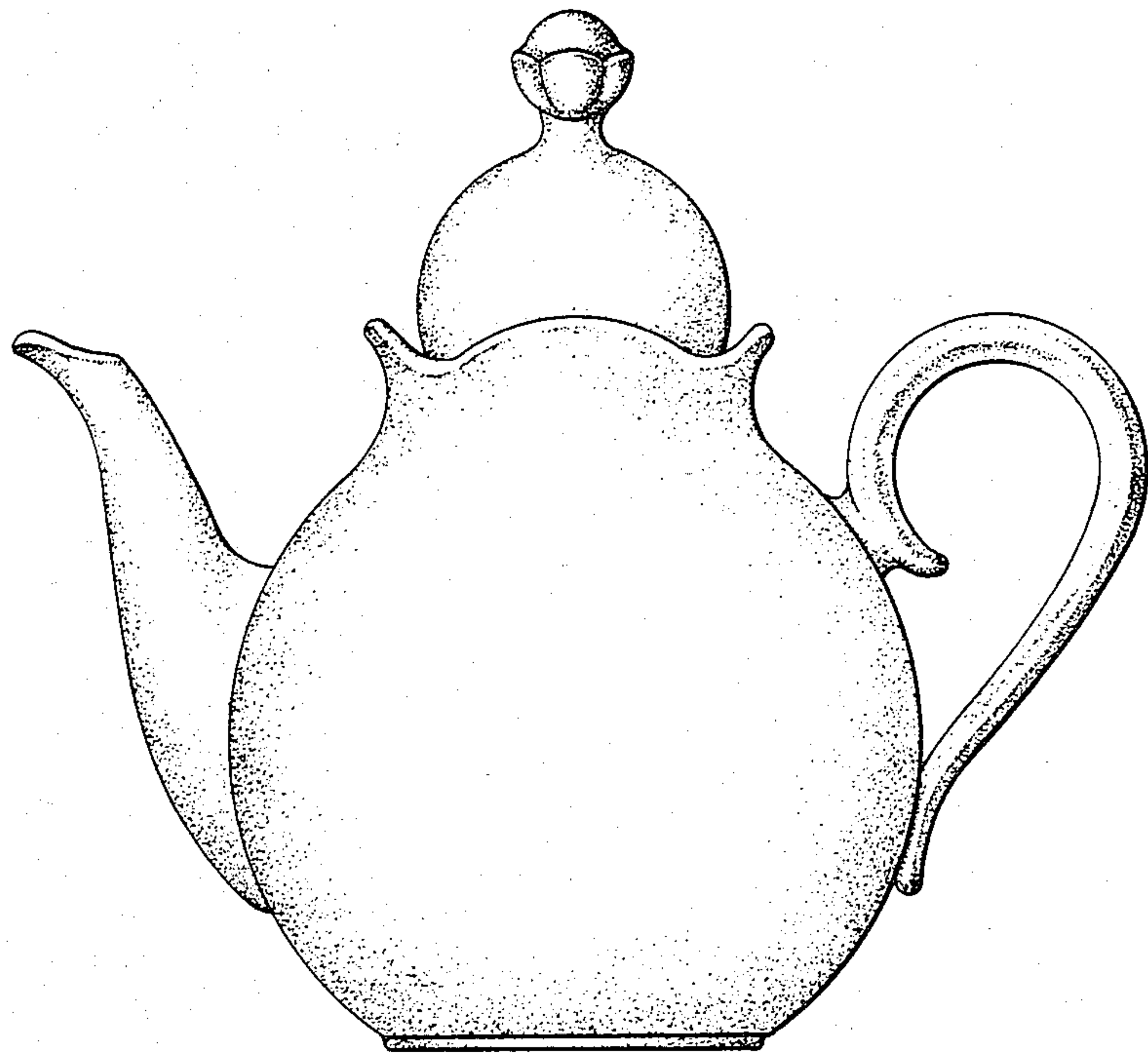
[57] **CLAIM**

The ornamental design for a teapot, as shown and described.

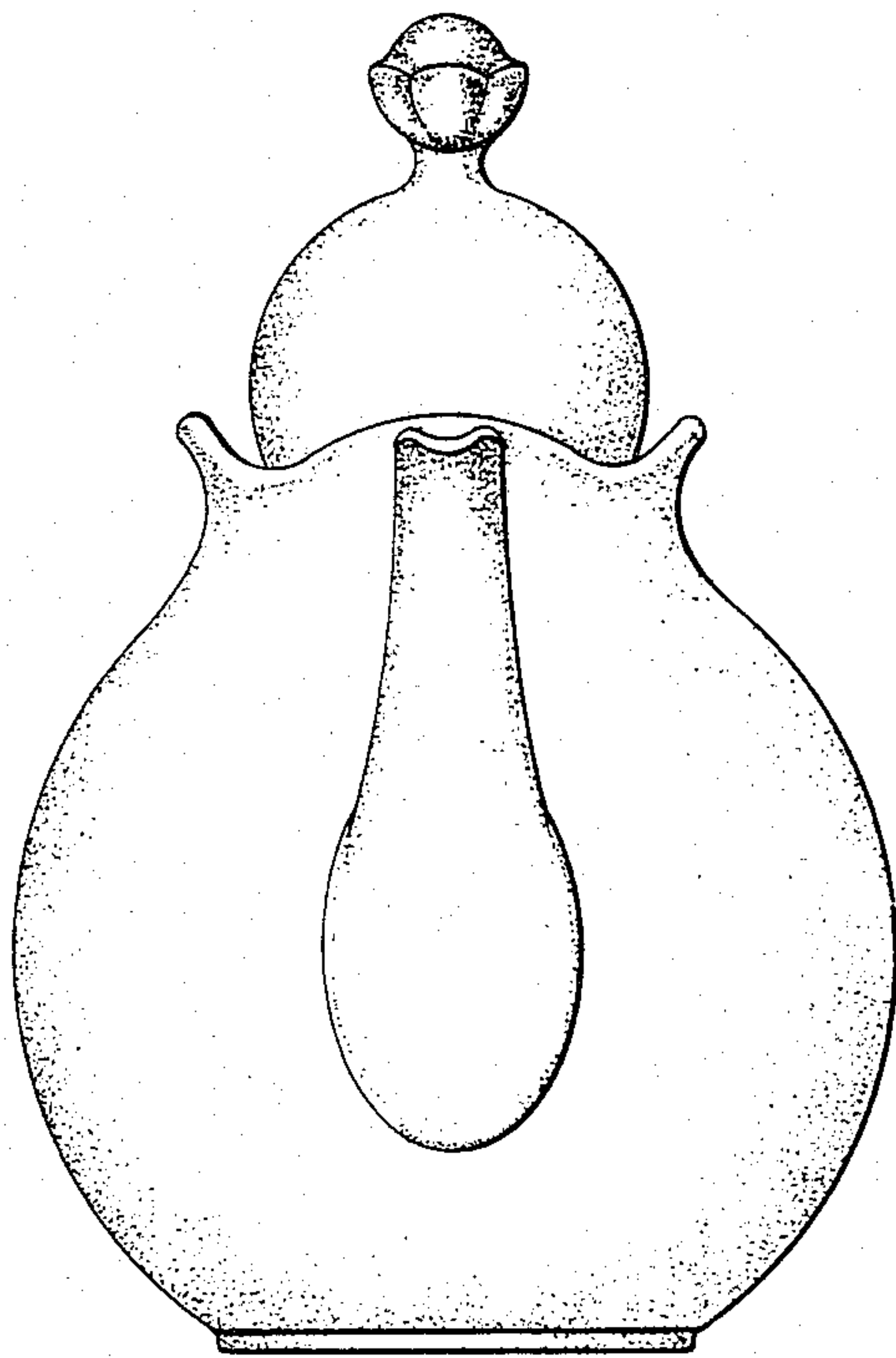
**DESCRIPTION**

FIG. 1 is a front elevational view of a teapot showing the new design, the rear side being identical in appearance;  
FIG. 2 is a left side elevational view thereof;  
FIG. 3 is a top plan view thereof; and  
FIG. 4 is a bottom plan view thereof showing the manner in which the teapot handle downwardly slightly, uniformly narrows from the rearmost extremity thereof to its point of juncture with the teapot body at a location slightly above the bottom of said body.

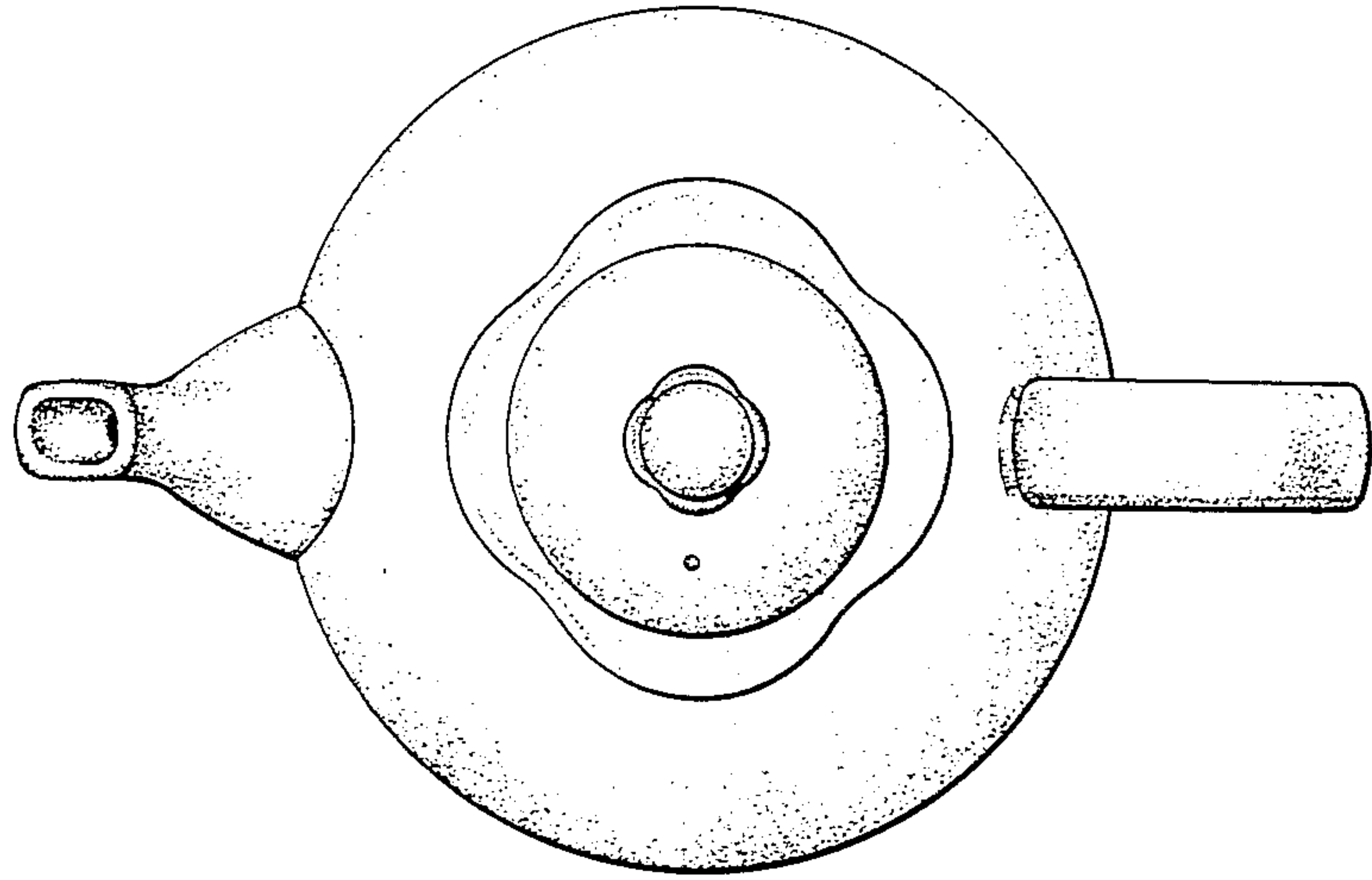




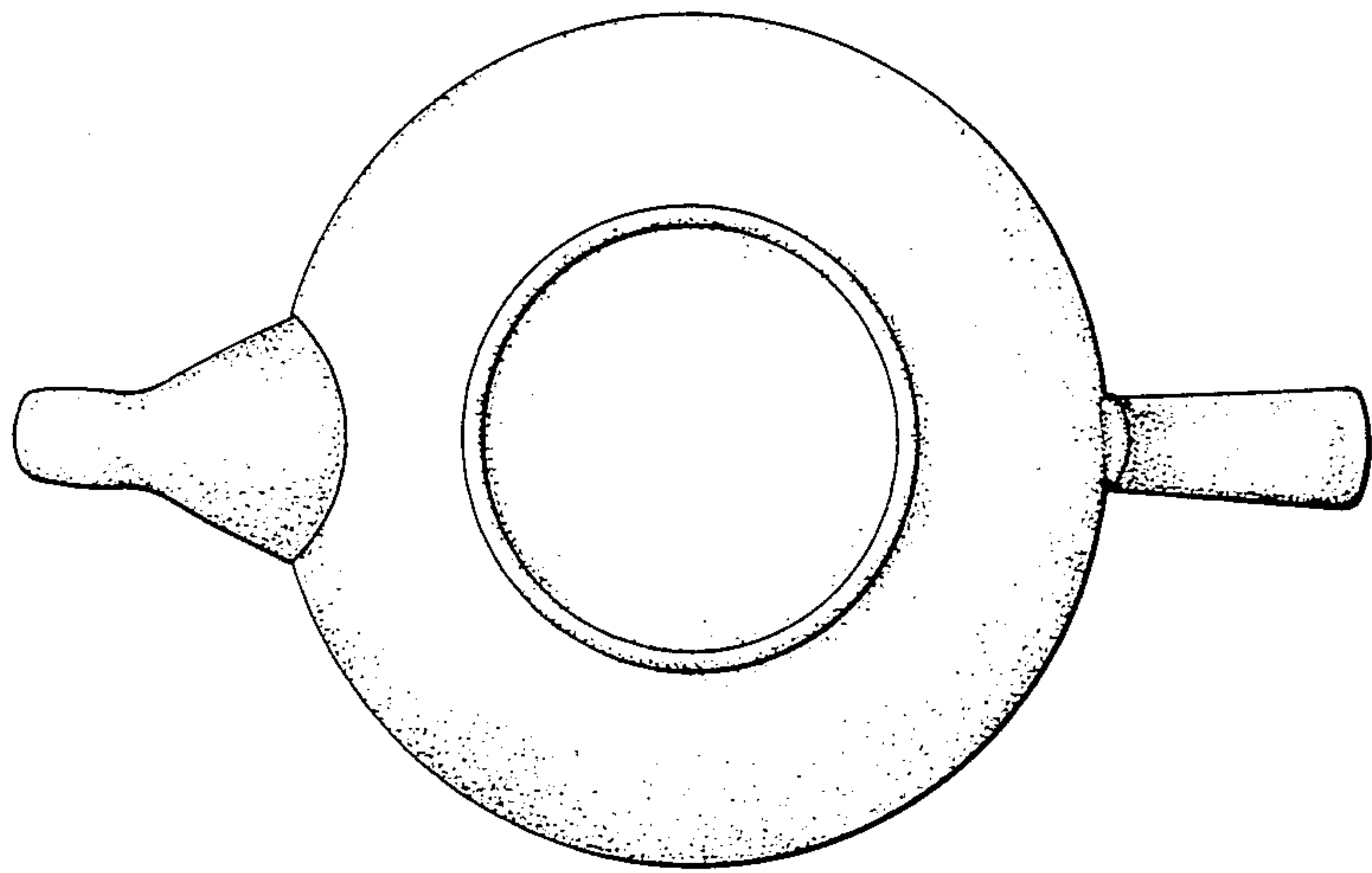
*FIG. 1*



*FIG. 2*



*FIG. 3*



*FIG. 4*