

[54] **DRAWER-SUPPORTING ADJUSTABLE
RAIL FOR ATTACHMENT TO BED SIDE
RAILS**

[76] **Inventor: Melvin P. Spitz, 619 N. Elm Dr.,
Beverly Hills, Calif. 90210**

[**] **Term: 14 Years**

[21] **Appl. No.: 456,063**

[22] **Filed: Jan. 6, 1983**

[52] **U.S. Cl. D6/503; D6/510**

[58] **Field of Search D6/158, 159, 191; 5/58,
5/308; 312/332, 334, 335, 337, 339, 340, 341 R,
349, 350**

[56] **References Cited**

U.S. PATENT DOCUMENTS

2,376,121	5/1945	Clark	312/337
2,914,370	11/1959	Hensch et al.	312/337 X
2,981,584	4/1961	Friend	312/337
3,123,419	3/1964	Maxwell	312/339
4,181,383	1/1980	Naef	312/339 X
4,331,369	5/1982	Lazar et al.	312/338 X

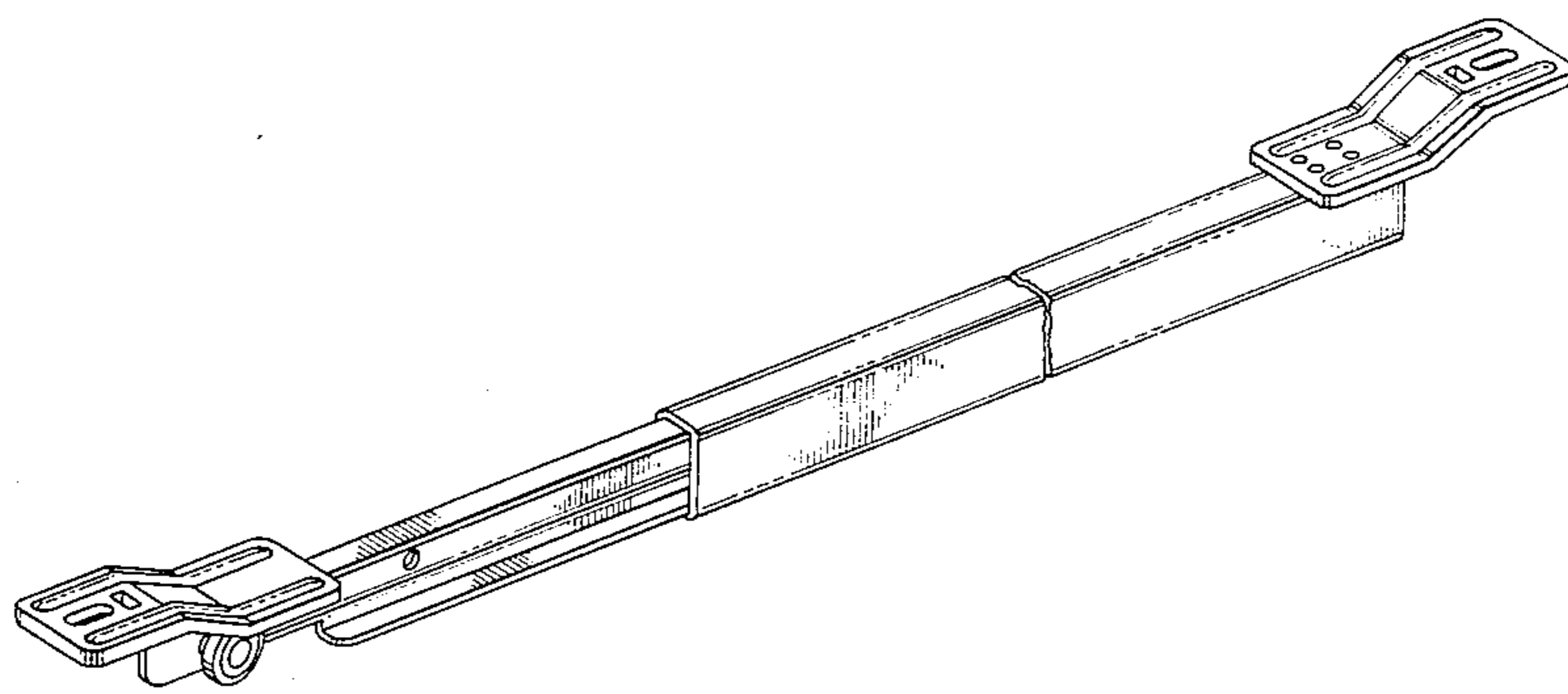
Primary Examiner—Bruce W. Dunkins
Attorney, Agent, or Firm—Whann & McManigal

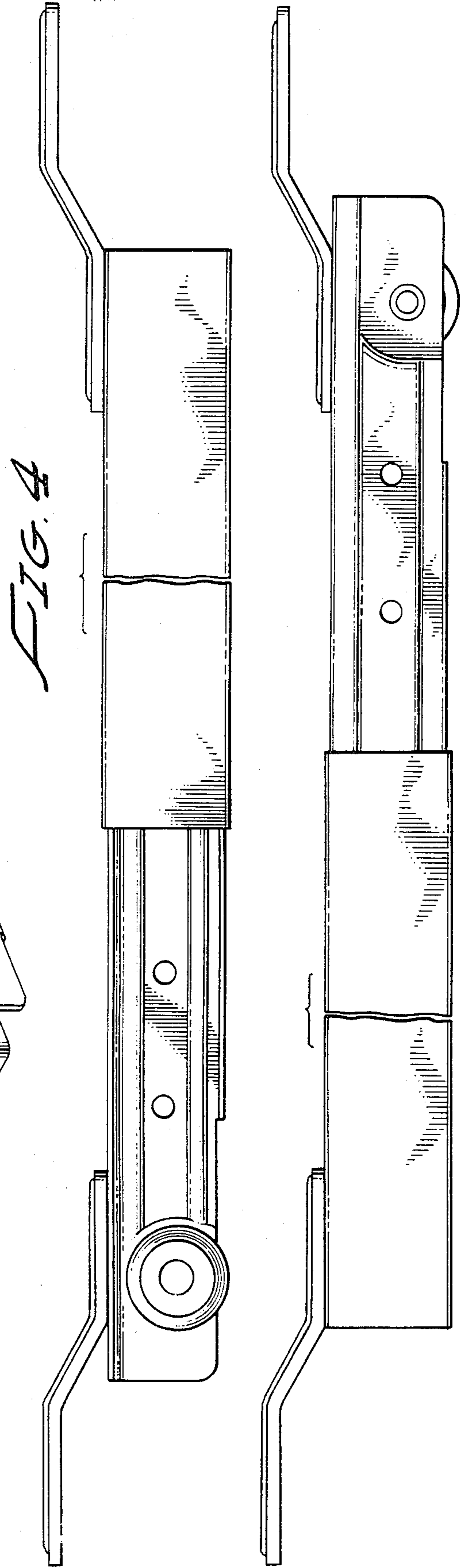
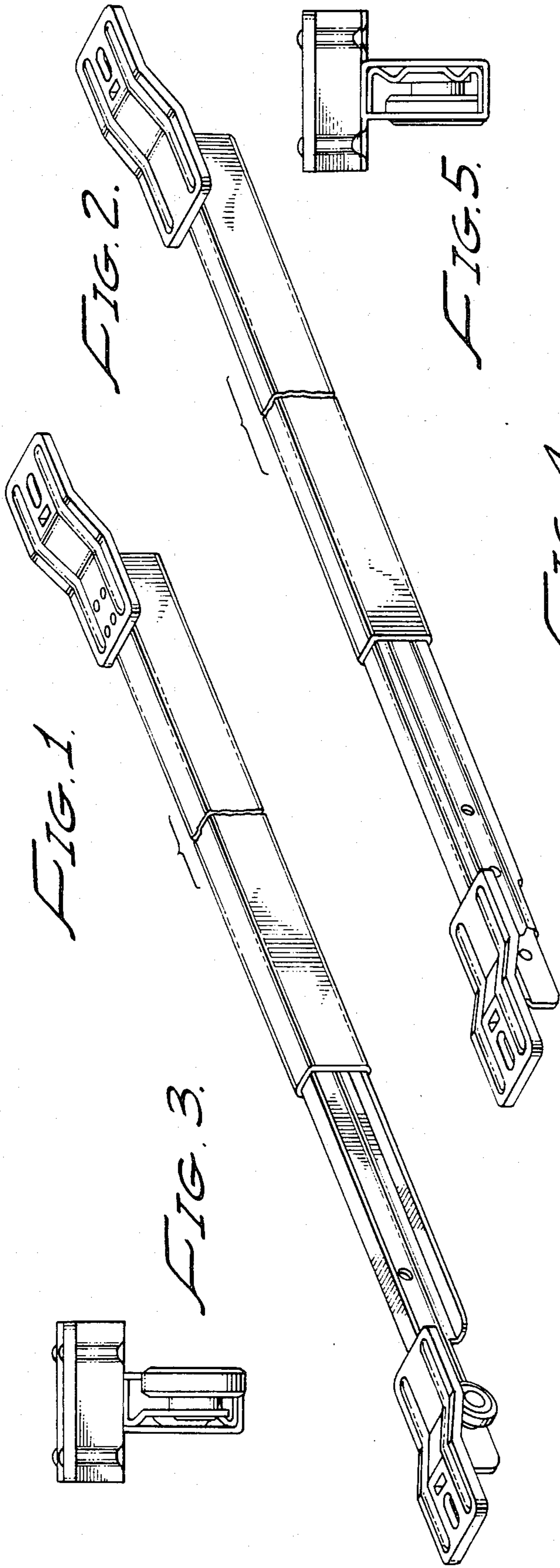
[57] **CLAIM**

The ornamental design for a drawer-supporting adjustable rail for attachment to bed side rails, as shown and described.

DESCRIPTION

FIG. 1 is a perspective view of a left hand embodiment of a drawer-supporting adjustable rail for attachment to bed side rails showing my new design;
FIG. 2 is a perspective view of a right hand embodiment of the same;
FIG. 3 is an enlarged left end elevational view of the embodiment illustrated in FIG. 1;
FIG. 4 is an enlarged front elevational view of the same;
FIG. 5 is an enlarged right end elevational view of the embodiment illustrated in FIG. 1;
FIG. 6 is a rear elevational view of FIG. 4;
FIG. 7 is a top plan view of FIG. 4;
FIG. 8 is a bottom plan view of FIG. 4;
FIG. 9 is a perspective composite view combining the right and left embodiments of FIGS. 1 to 2 to form an intermediate supporting rail for two drawers;
FIG. 10 is an enlarged left end elevational view of the embodiment illustrated in FIG. 9; and
FIG. 11 is an enlarged right end elevational view of the embodiment illustrated in FIG. 9.





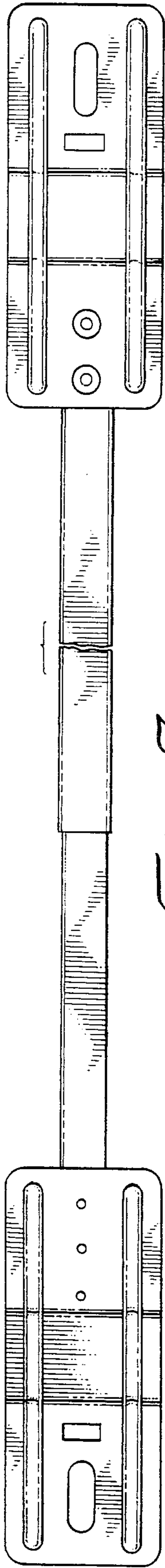


FIG. 7

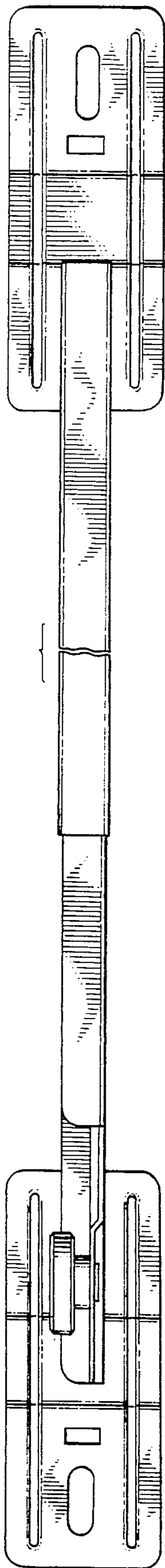


FIG. 8

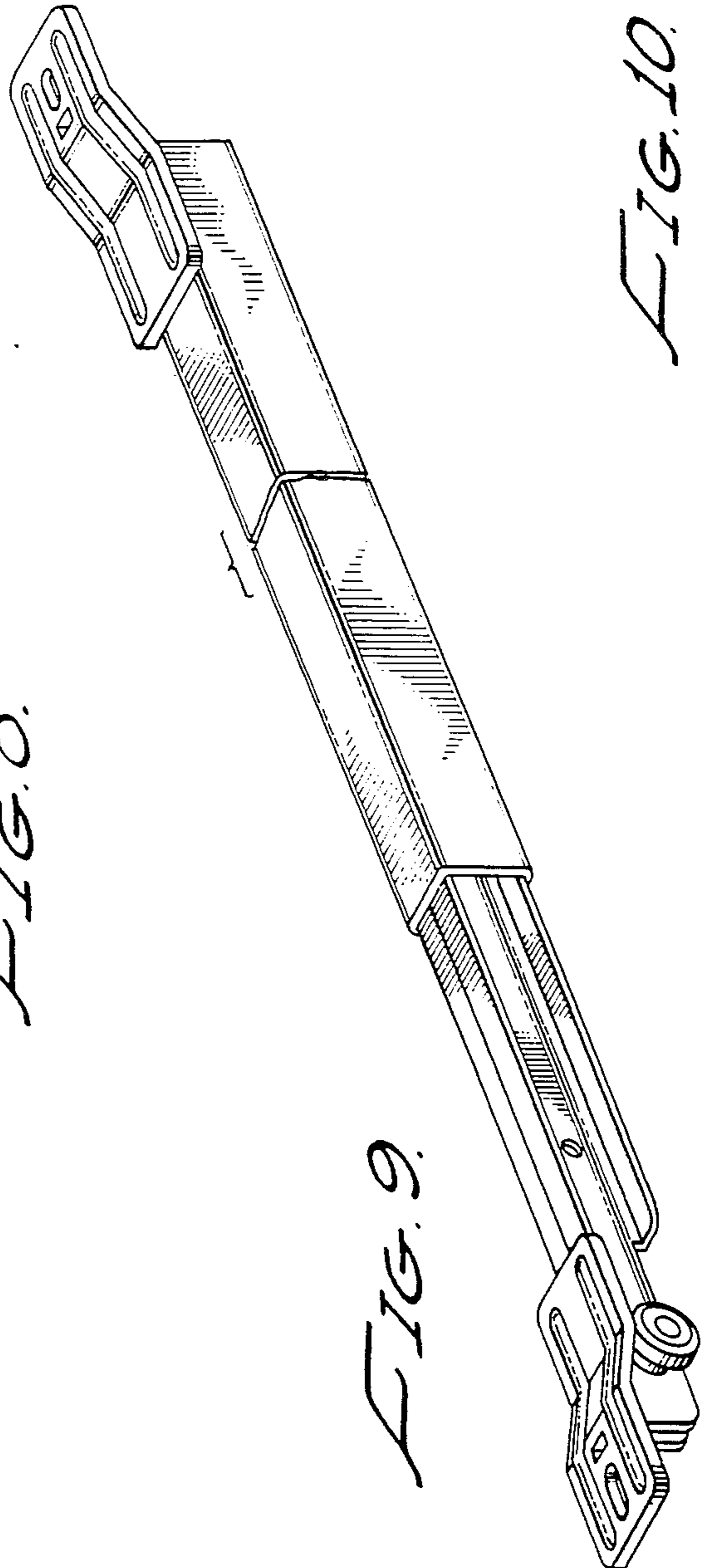


FIG. 9

FIG. 11

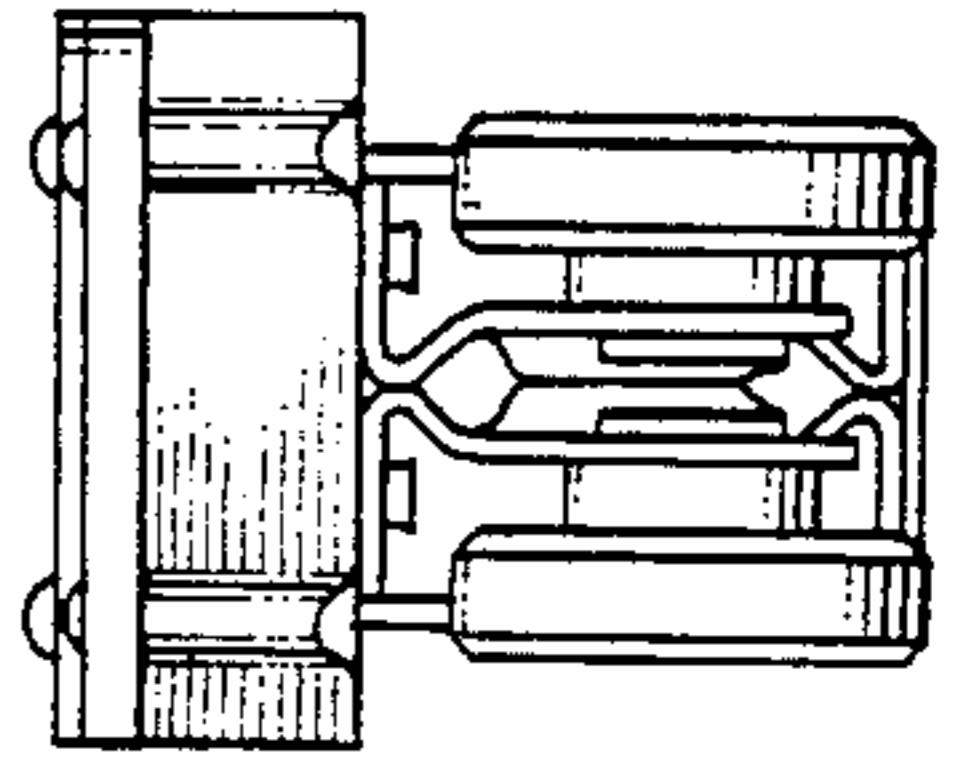
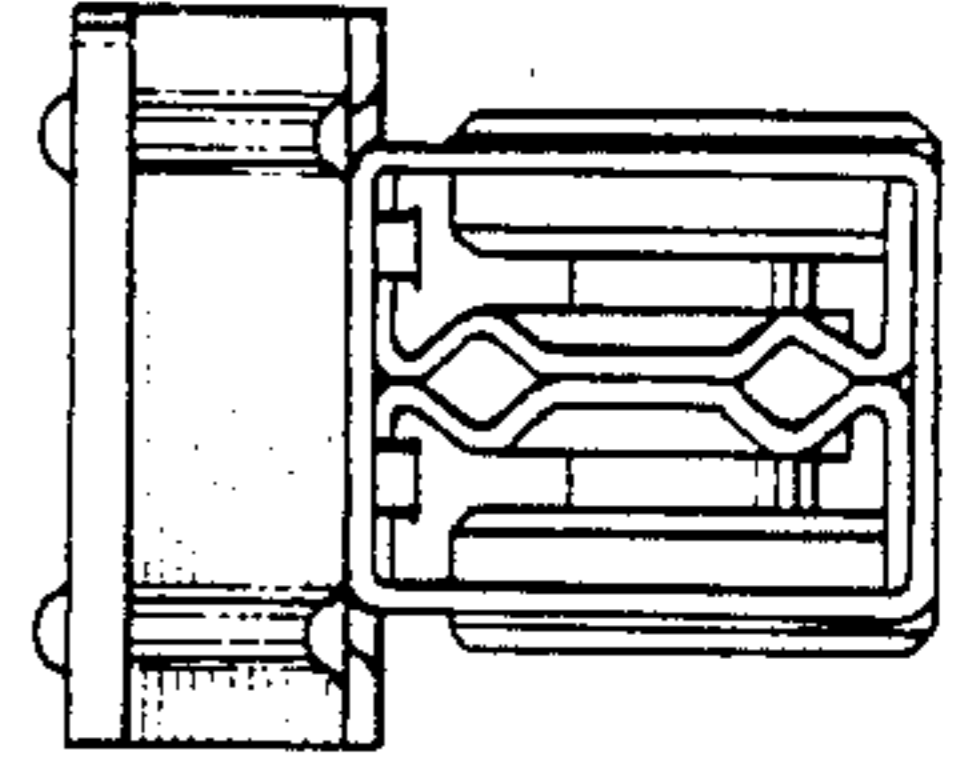


FIG. 10