

[54] **SUSPENDED HOLDER FOR PLANTS, CANDLES OR THE LIKE**  
[76] Inventors: **David M. F. Chan**, 1213 King Dr., El Cerrito, Calif. 94530; **Michael L. F. Chan**, 1407 Arch St., Berkeley, Calif. 94708

[\*\*] Term: **14 Years**

[21] Appl. No.: **532,658**

[22] Filed: **Sep. 15, 1983**

[52] U.S. Cl. .... **D6/514; D11/141; D11/148; D26/9; D6/405**

[58] **Field of Search** ..... **D6/113, 137; D26/9, D26/10, 13, 22, 20; 211/13, 113, 115, 117, 118, 119; 248/317, 318; 431/295, 288; D11/141, 148**

[56] **References Cited**

**U.S. PATENT DOCUMENTS**

D. 222,949 2/1972 Souder ..... D6/113

D. 229,576 12/1973 Blake ..... D11/141  
D. 255,299 6/1980 Laurenzi ..... D6/137  
D. 265,153 6/1982 Laurenzi ..... D6/113  
D. 688,110 12/1901 Nehr ..... 431/295  
4,025,012 5/1977 Chan et al. .... 248/318

*Primary Examiner*—B. J. Bullock  
*Attorney, Agent, or Firm*—Robert R. Tipton

[57] **CLAIM**

The ornamental design for a suspended holder for plants, candles or the like, as shown.

**DESCRIPTION**

FIG. 1 is a front elevational view of a suspended holder for plants, candles or the like showing our new design; FIG. 2 is a side elevational view taken from the right of FIG. 1; FIG. 3 is a rear elevational view thereof; FIG. 4 is a side elevational view taken from the left of FIG. 1; FIG. 5 is a bottom plan view thereof; FIG. 6 is a top plan view thereof.

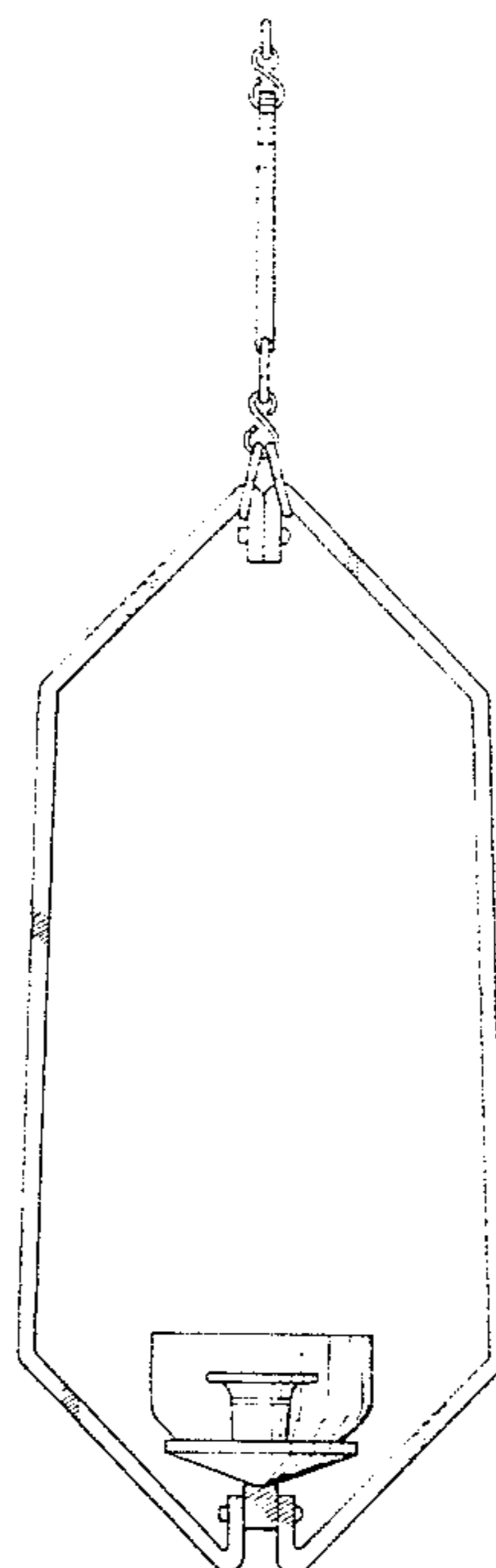


FIG. 1

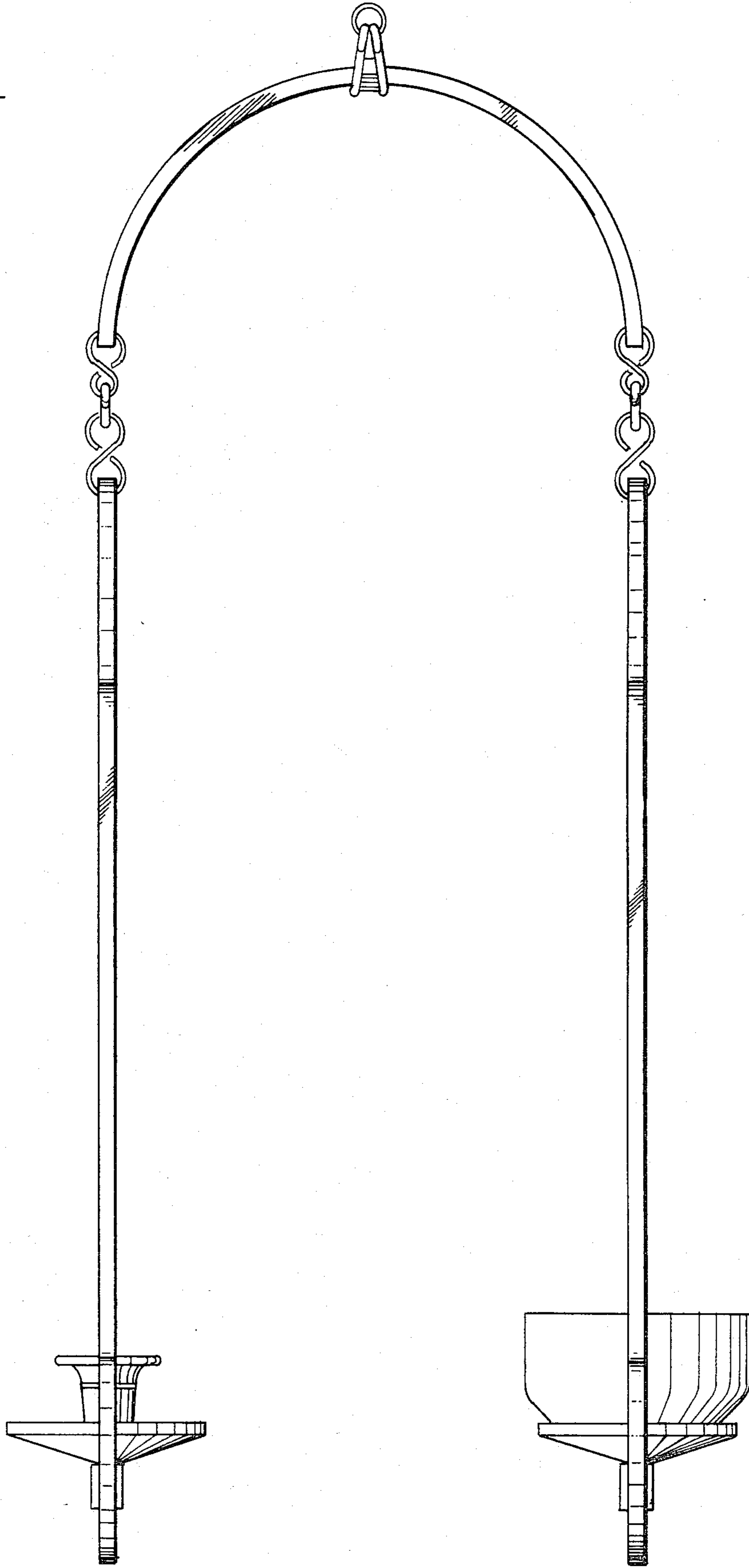


FIG. 2

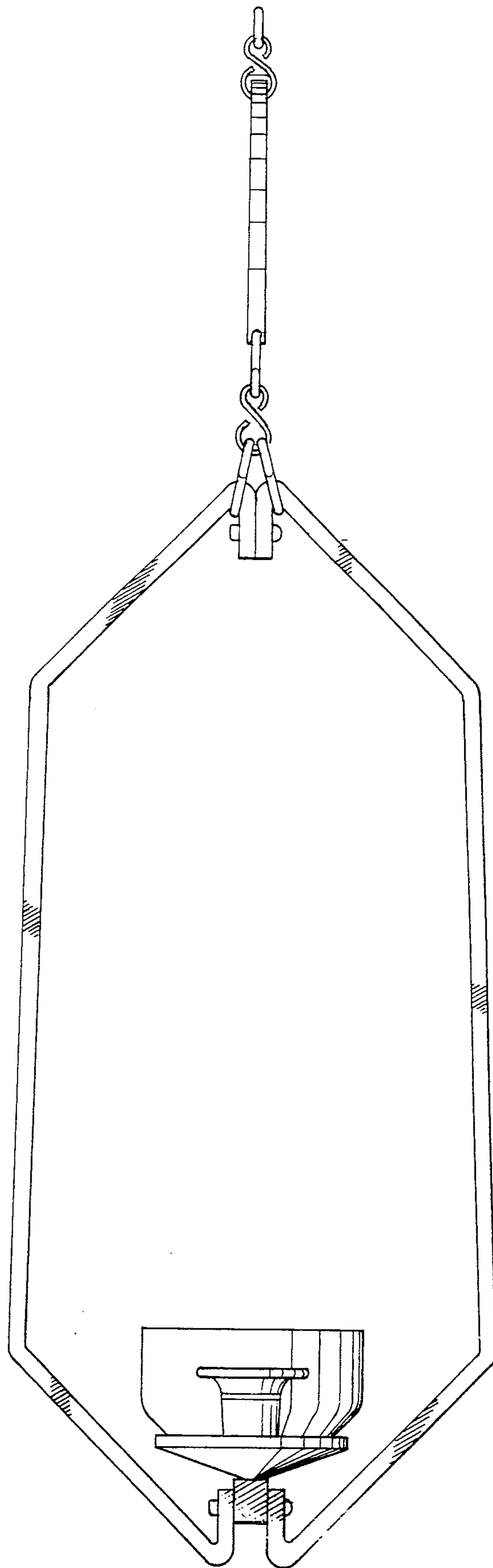


FIG. 3

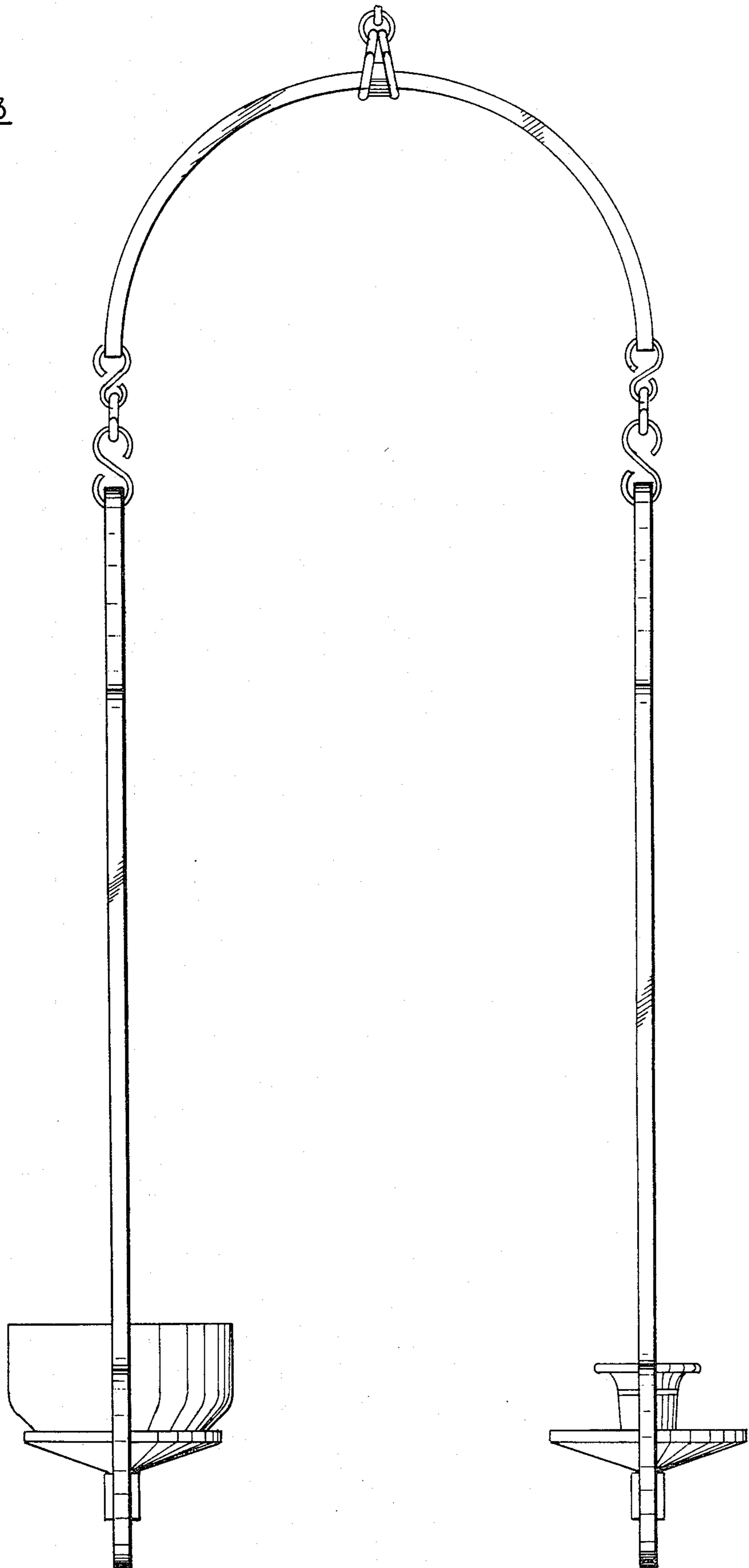


FIG. 4

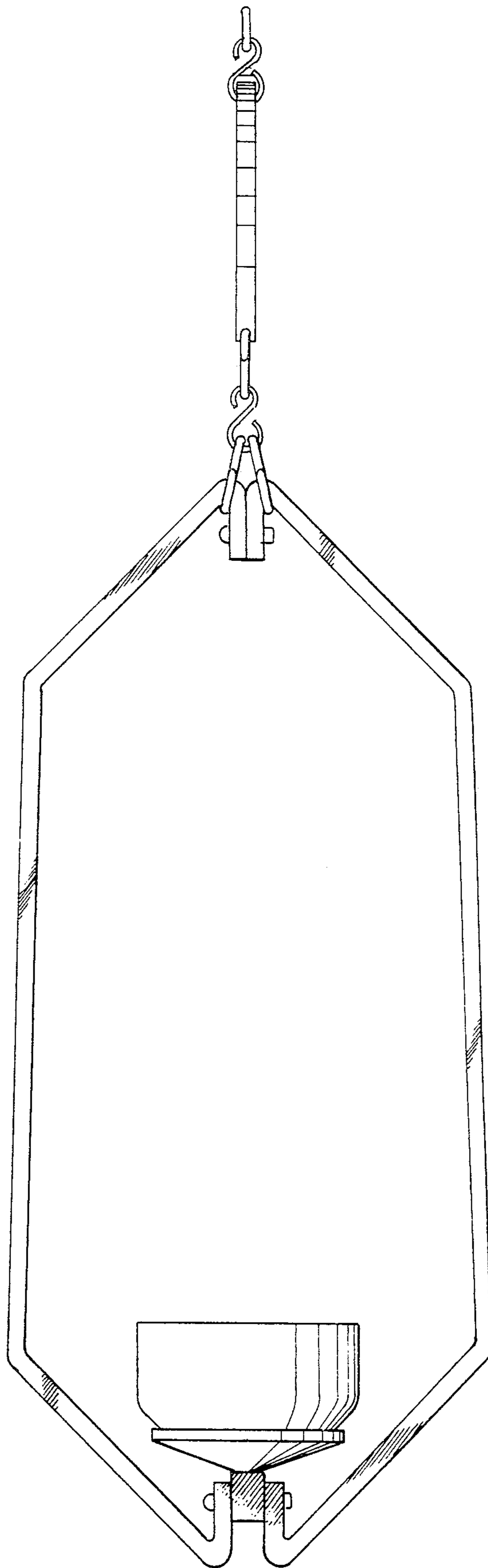


FIG. 5

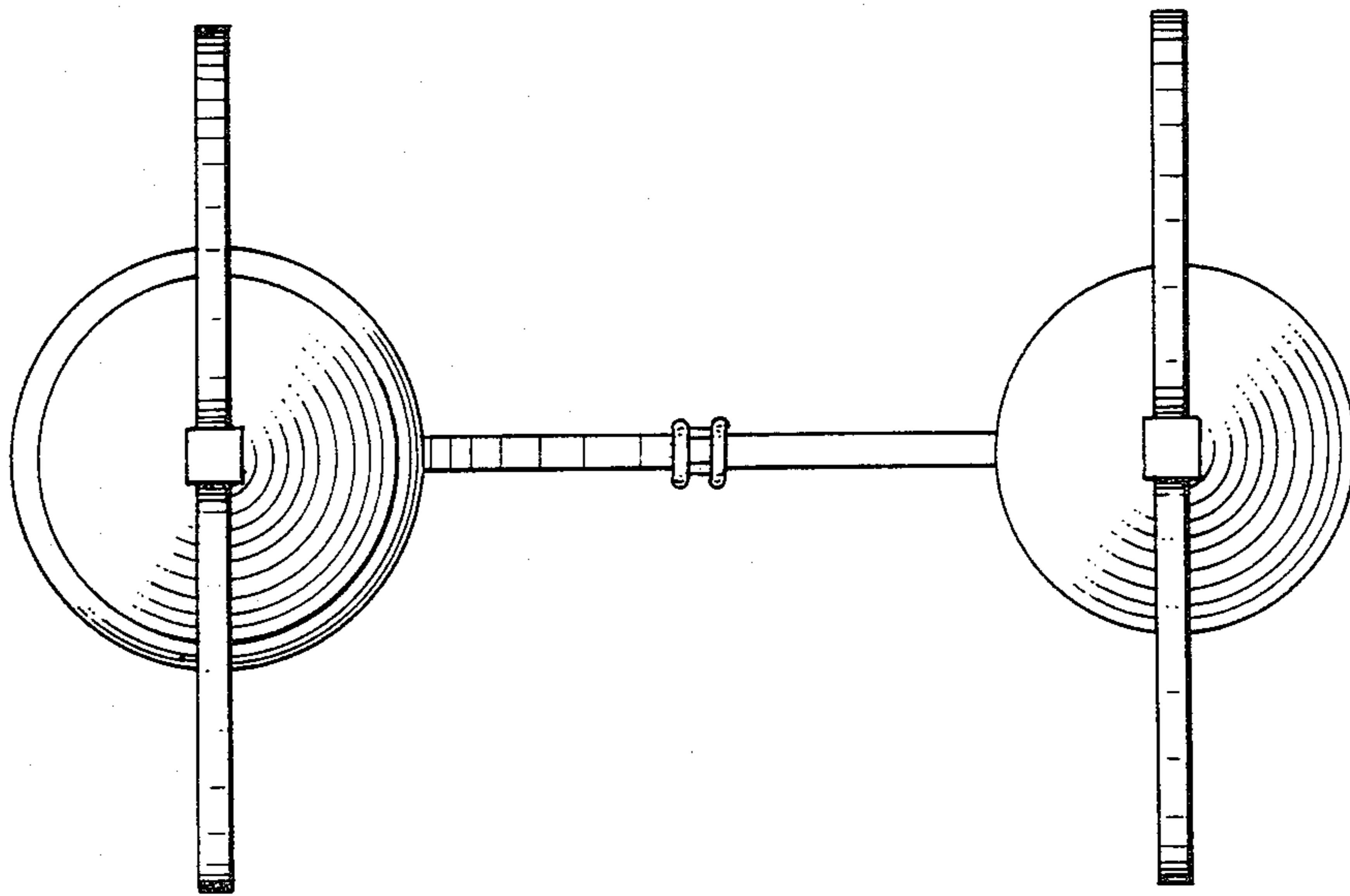


FIG. 6

