

United States Patent [19]

Sjöstedt et al.

[11] Patent Number: Des. 278,006

[45] Date of Patent: ** Mar. 19, 1985

[54] DISPENSER FOR SANITARY PAPER

[75] Inventors: Ingemar Sjöstedt, Västra Frölunda;
Bertil Lunden, Hovås, both of
Sweden

[73] Assignee: Moinlycke Aktiebolag, Gothenburg,
Sweden

[**] Term: 14 Years

[21] Appl. No.: 425,269

[22] Filed: Sep. 28, 1982

[30] Foreign Application Priority Data

Apr. 1, 1982 [SE] Sweden 82-0854
[52] U.S. Cl. D6/523
[58] Field of Search D6/86, 96, 97; 206/394,
206/389, 409, 397; 312/37, 38, 39, 41; 242/55.2,
55.3, 55.53, 55.42, 55.54

[56] References Cited

U.S. PATENT DOCUMENTS

D. 231,057 4/1974 Larsson D6/97
D. 237,536 11/1975 Hagglund D6/96
D. 237,537 11/1975 Hagglund D6/96
D. 238,025 12/1975 Persson D6/96

Primary Examiner—A. Hugo Word
Assistant Examiner—Suzanne N. Gitlin
Attorney, Agent, or Firm—Young & Thompson

[57] CLAIM

The ornamental design for a dispenser for sanitary paper, as shown and described.

DESCRIPTION

FIG. 1 is a perspective view of a dispenser for sanitary paper showing our new design; FIG. 2 is a view similar to FIG. 1 but rotated 120° counterclockwise as seen from above and taken from a higher angle; and FIG. 3 is an enlarged bottom perspective view thereof. Each of the three other views of the base of the device, rotated 90° from the position of FIG. 1, is identical in appearance to the base as seen in FIG. 1.

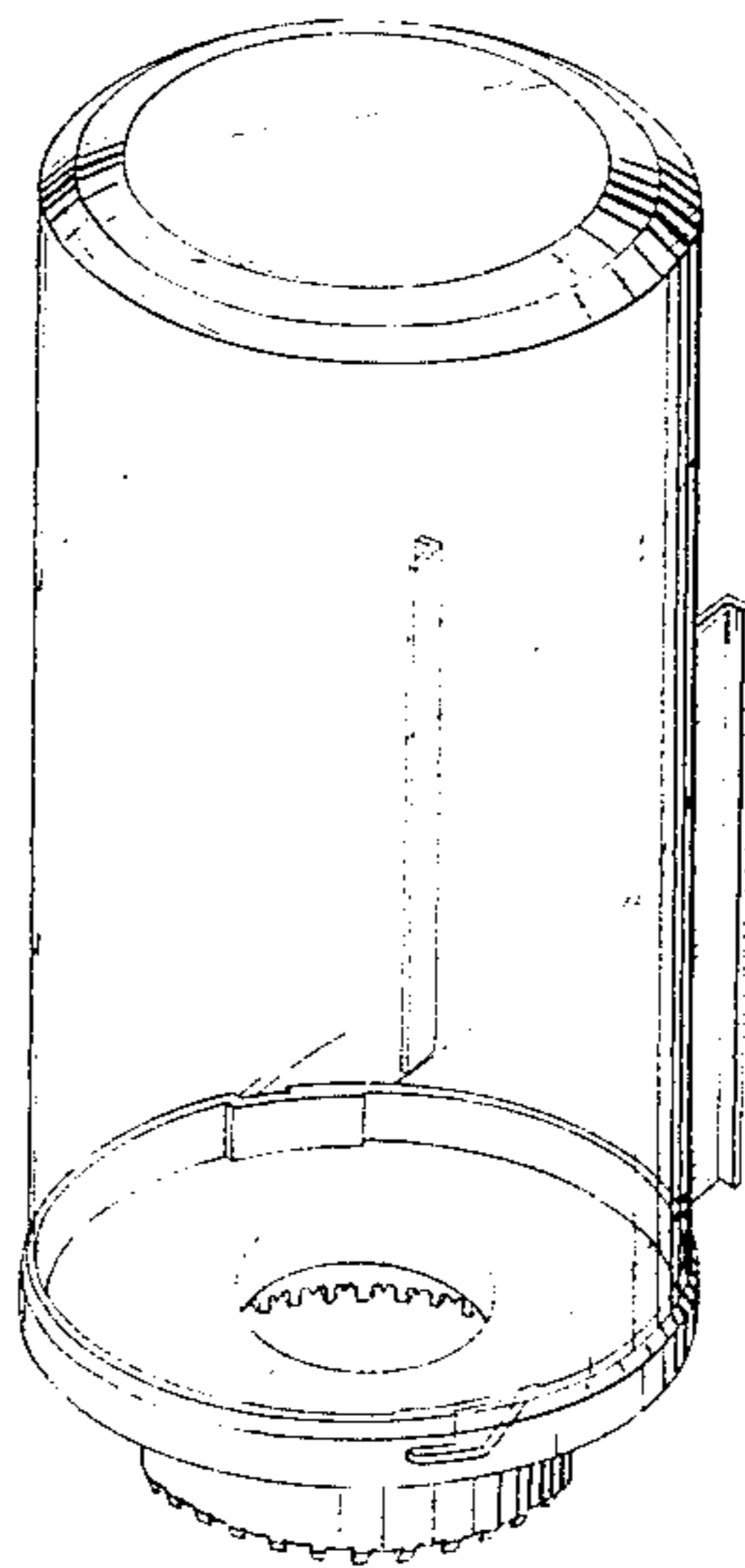


FIG. 3

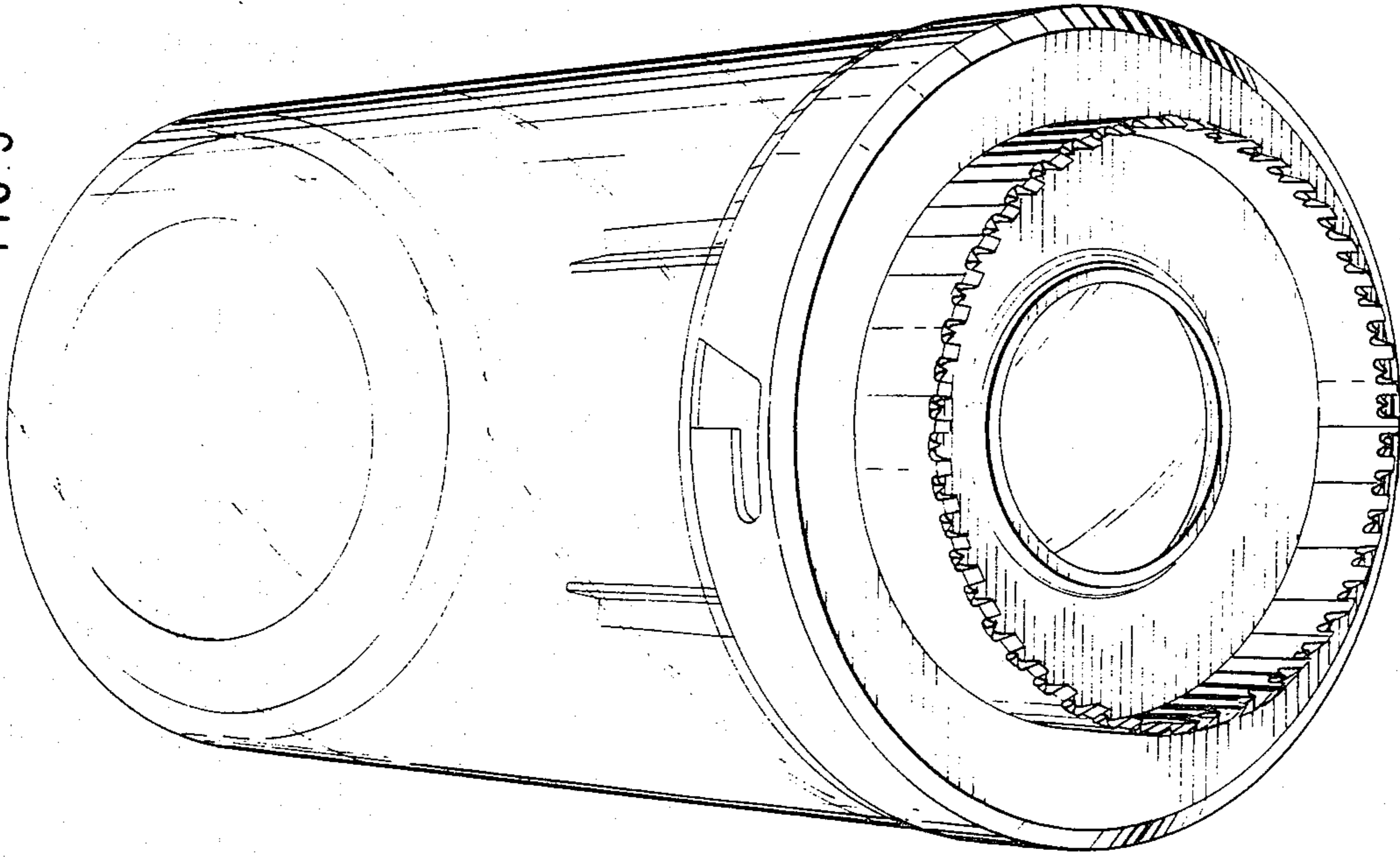


FIG. 2

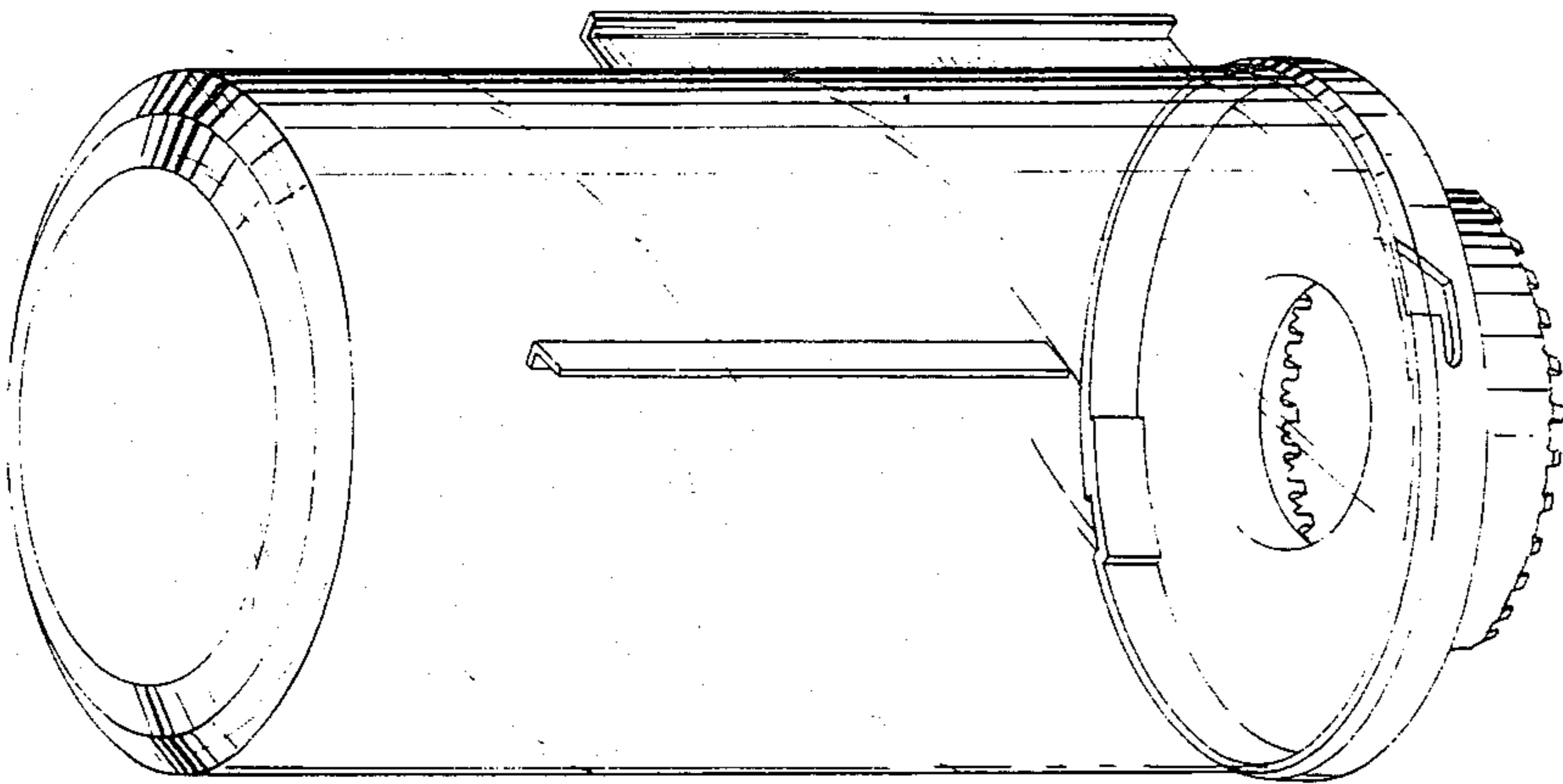


FIG. 1

