

[54] SHEET MATERIAL DISPENSER OR THE LIKE

[75] Inventor: Martin J. Wolff, North Providence, R.I.

[73] Assignee: Dart Industries Inc., Northbrook, Ill.

[**] Term: 14 Years

[21] Appl. No.: 406,841

[22] Filed: Aug. 10, 1982

[52] U.S. Cl. D6/518

[58] Field of Search D6/96-98, D6/86, 114, 113, 127, 167; 242/55.3, 55.53; 312/38, 39, 41

D. 208,102 7/1967 Branden D6/96

D. 272,021 1/1984 Ruff D6/96

D. 273,063 3/1984 Gatword D6/96

3,698,548 10/1972 Stengel et al. 242/55.53

Primary Examiner—A. Hugo Word
 Assistant Examiner—Suzanne N. Gitlin
 Attorney, Agent, or Firm—John A. Doninger

[57] CLAIM

The ornamental design for a sheet material dispenser or the like, substantially as is shown.

DESCRIPTION

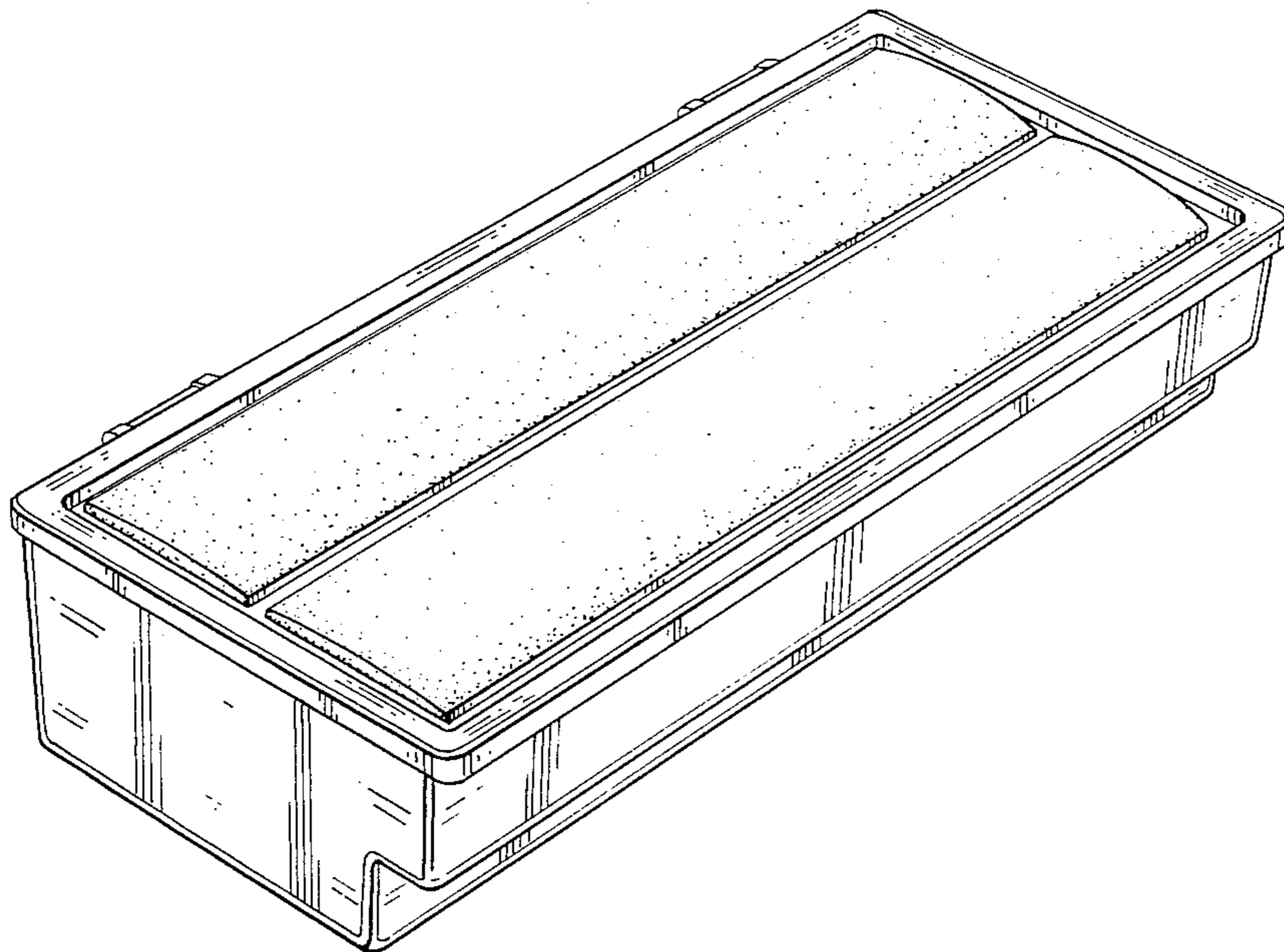
FIG. 1 is a top perspective view of the sheet material dispenser or the like showing my new design;
 FIG. 2 is a front elevation view thereof;
 FIG. 3 is a side elevation view thereof;
 FIG. 4 is a rear elevation view thereof;
 FIG. 5 is a top plan view thereof;
 FIG. 6 is a bottom plan view thereof.

[56] References Cited

U.S. PATENT DOCUMENTS

D. 108,561 2/1938 Broeren et al. D6/98

D. 158,207 4/1950 Lench D6/96



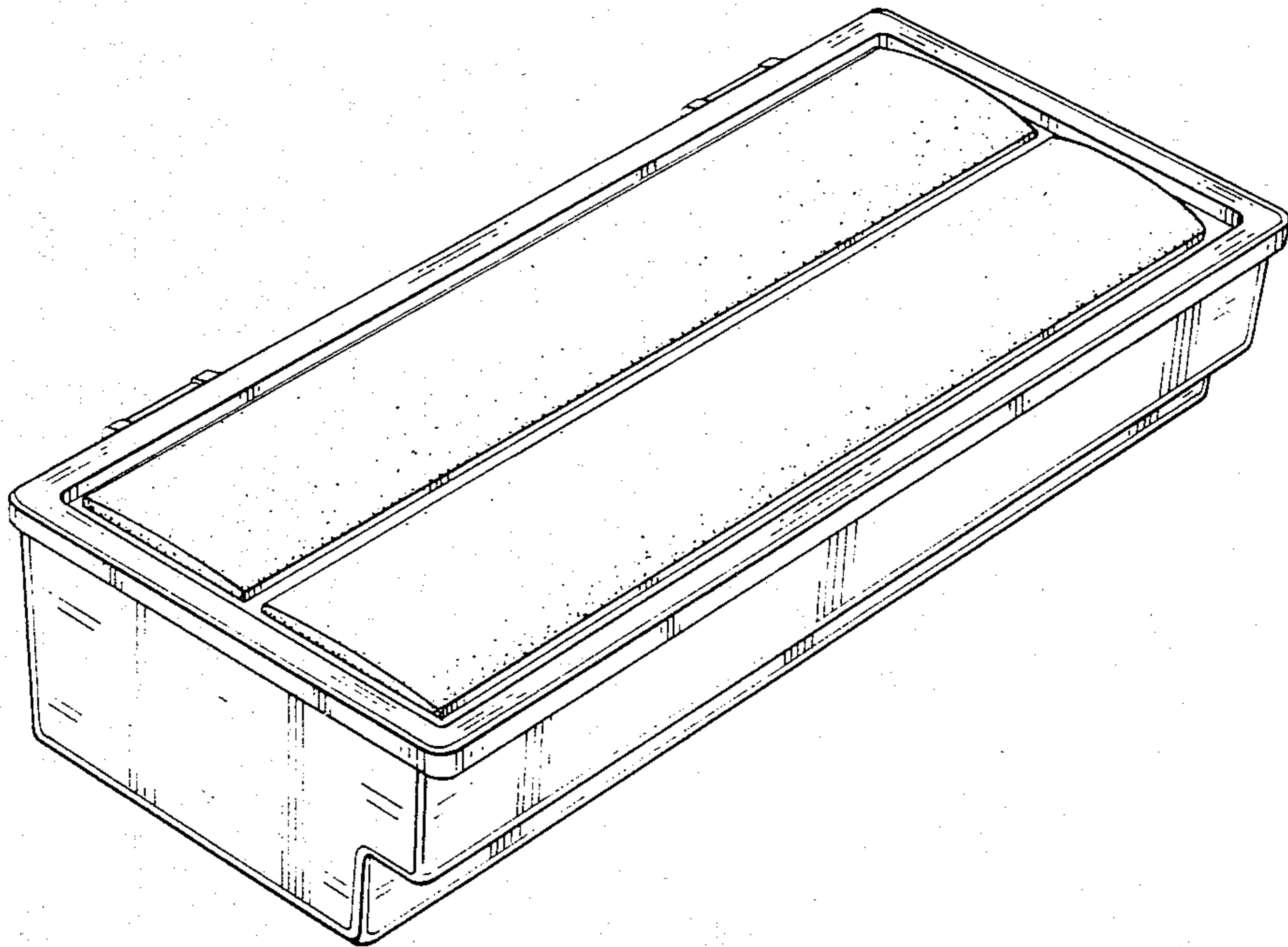


FIG. 1

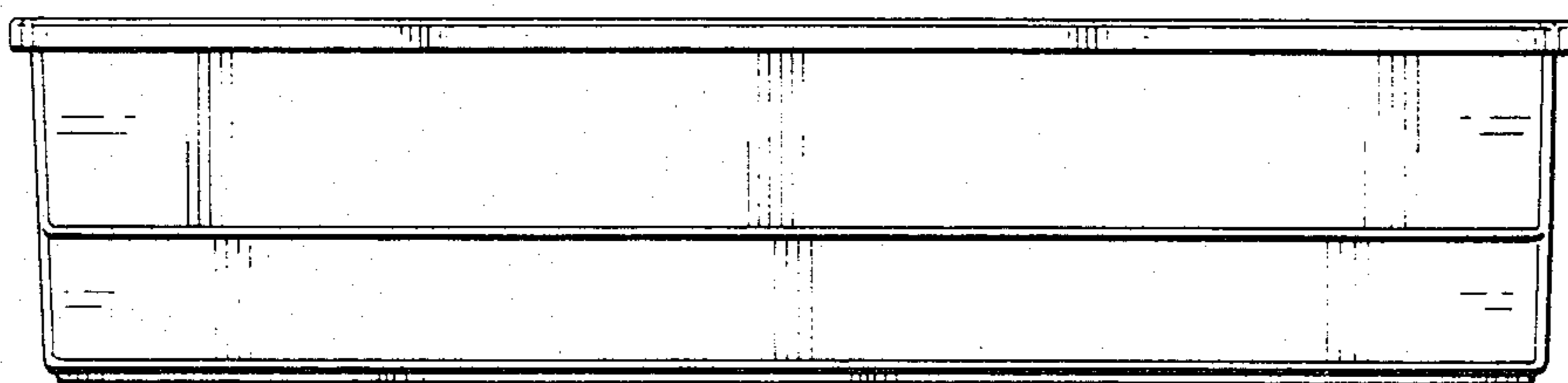


FIG. 2

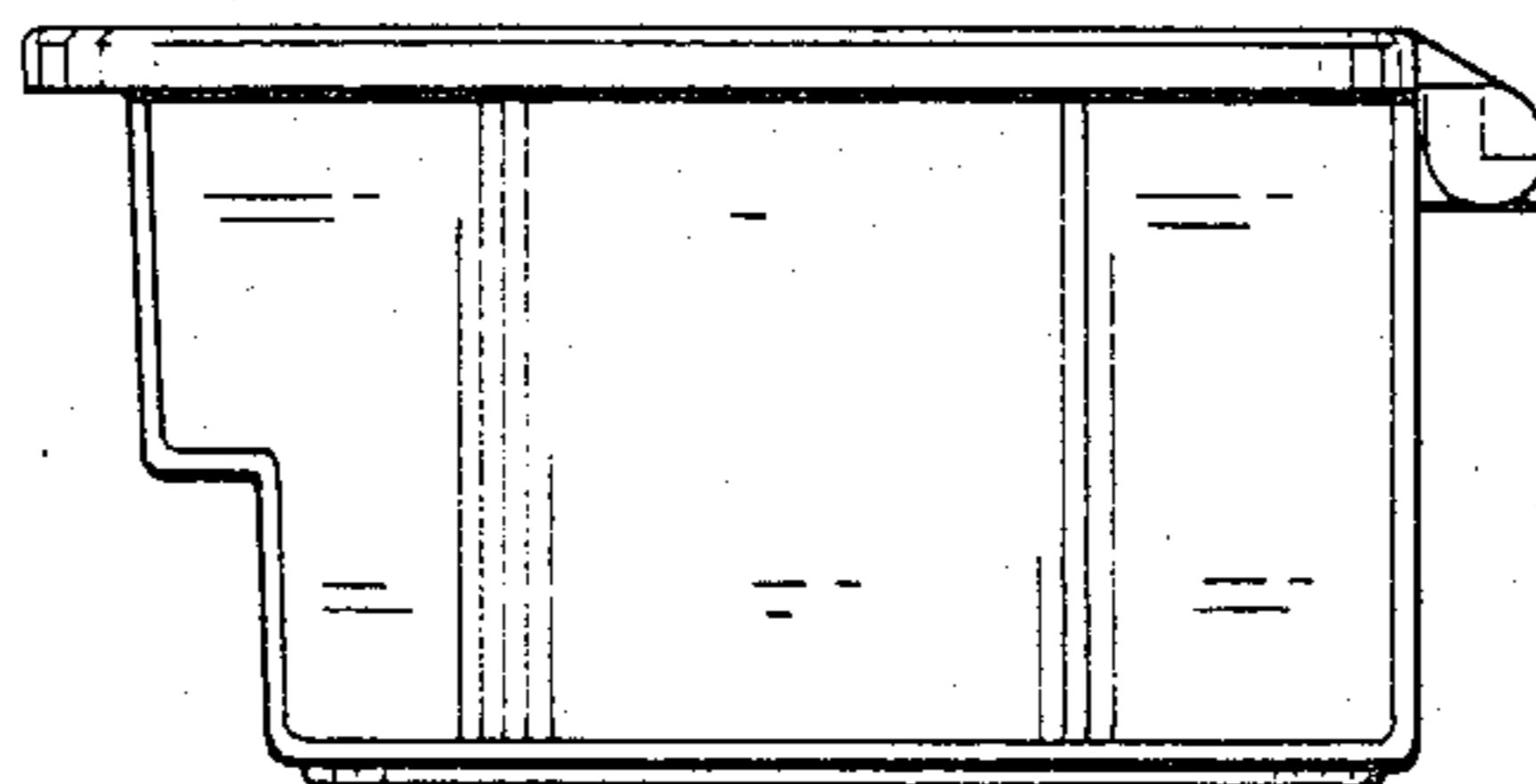


FIG. 3

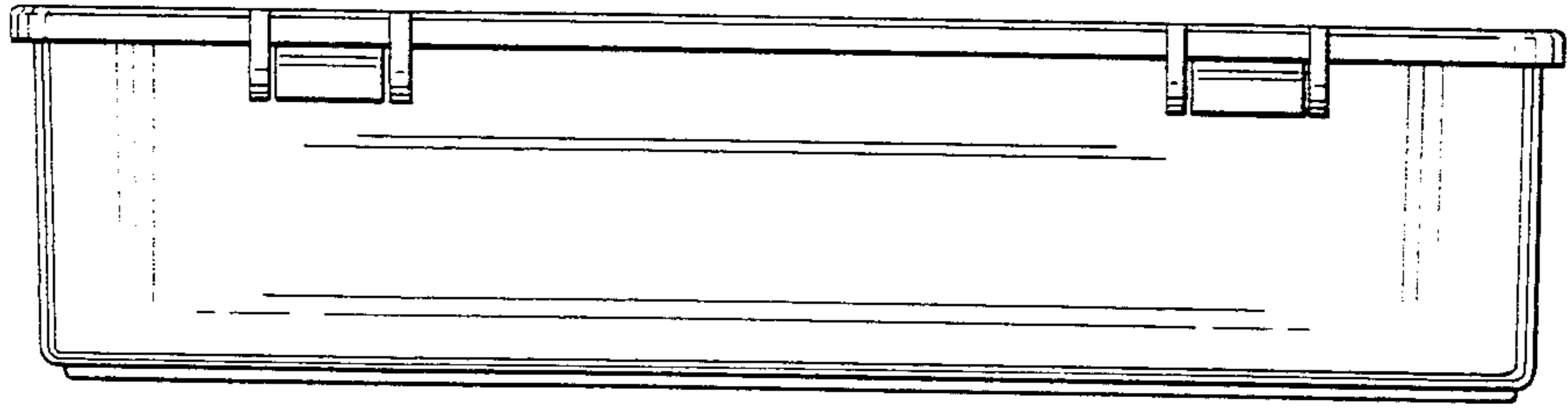


FIG. 4

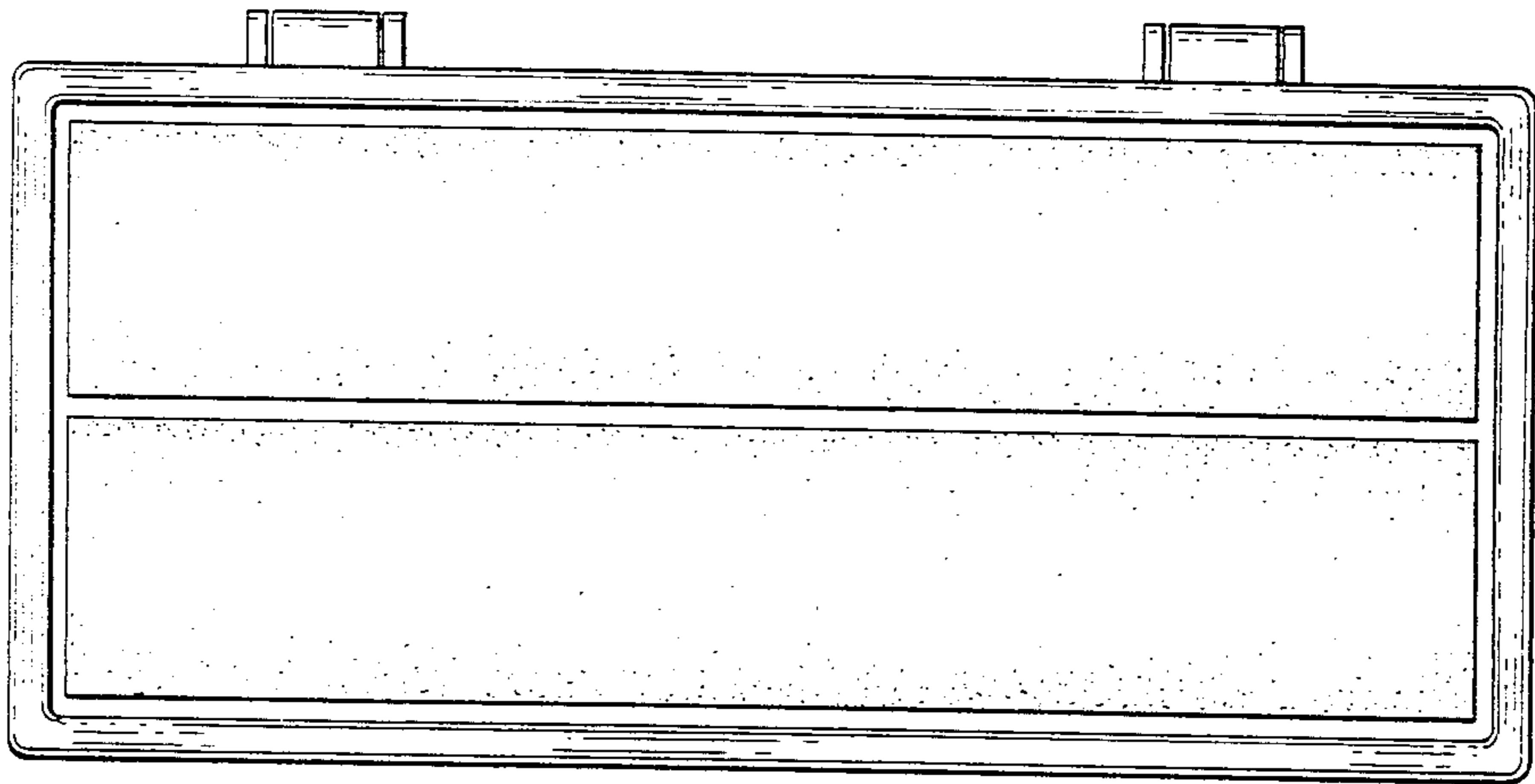


FIG. 5

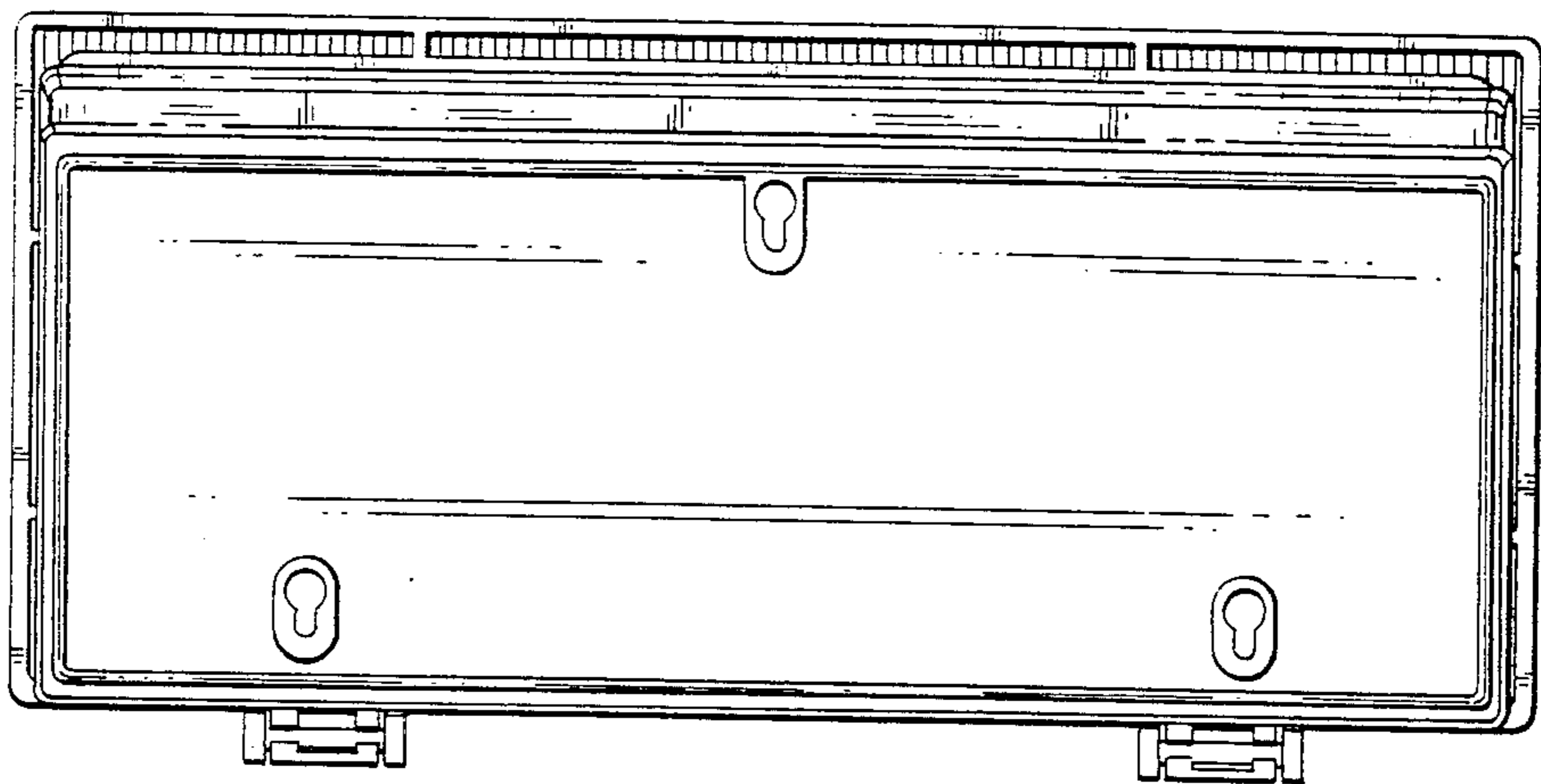


FIG. 6