

[54] COMBINED SEAT, TABLE, AND SHELF UNIT

[76] Inventor: Stephen J. Gagliano, 35 Coral Ct., Malverne, N.Y. 11565

[\*\*] Term: 14 Years

[21] Appl. No.: 398,410

[22] Filed: Jul. 14, 1982

[52] U.S. Cl. .... D6/336

[58] Field of Search ..... D6/26, 27, 43, 55, 59, D6/64, 146-149, 177, 179, 3, 4

[56] References Cited

U.S. PATENT DOCUMENTS

D. 147,386	8/1947	Thomas	.....	D6/43
D. 148,242	12/1947	Horsewood	.....	D6/43
D. 210,824	4/1968	Blix	.....	D6/55
D. 225,796	1/1973	Helverson	.....	D6/43

D. 226,464	3/1973	Genaro et al.	.....	D6/59
D. 259,282	5/1981	Howey et al.	.....	D6/59 X
D. 266,119	9/1982	Larsen	.....	D6/64

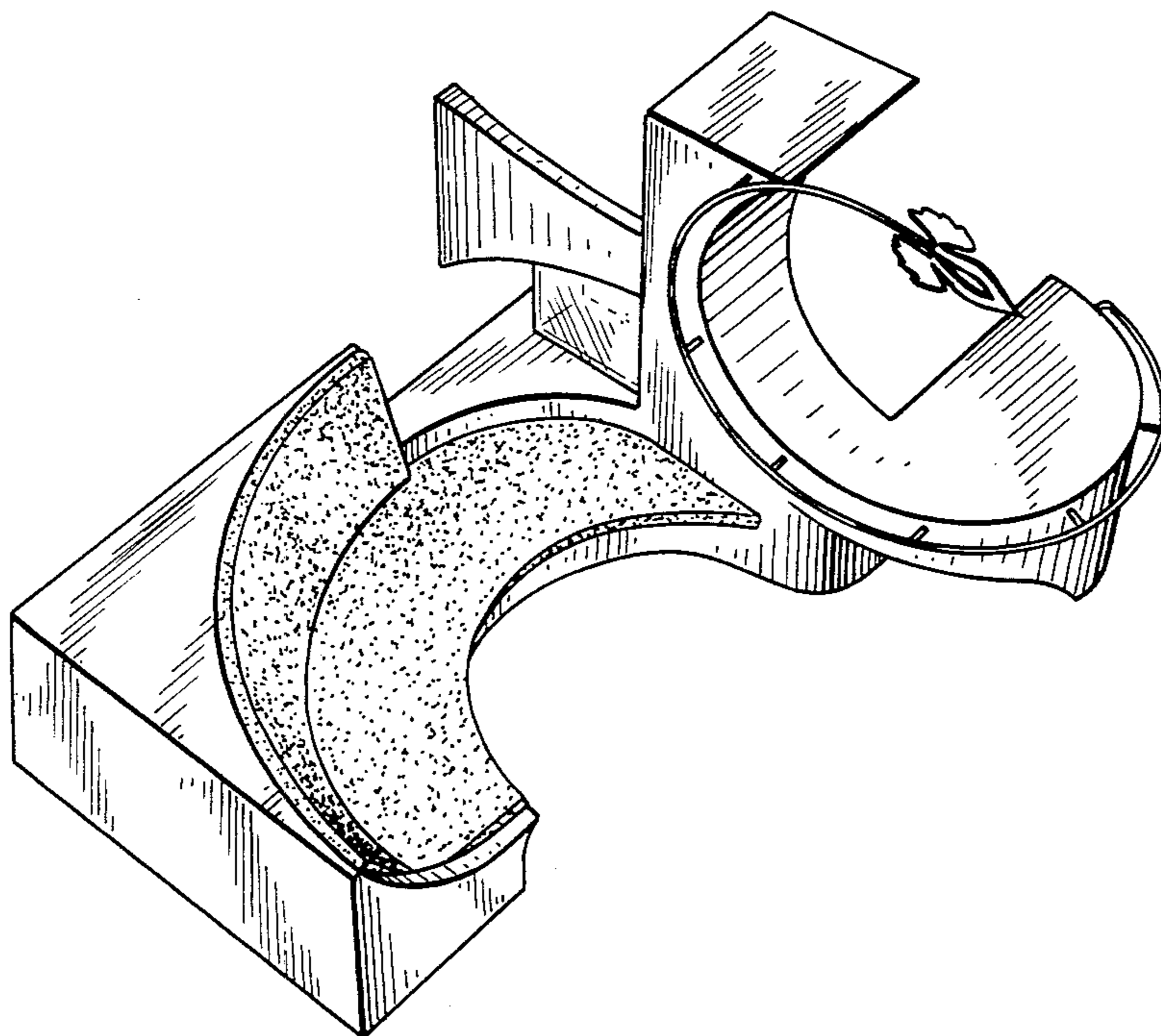
Primary Examiner—Bruce W. Dunkins  
Attorney, Agent, or Firm—Crickenberger & Moore

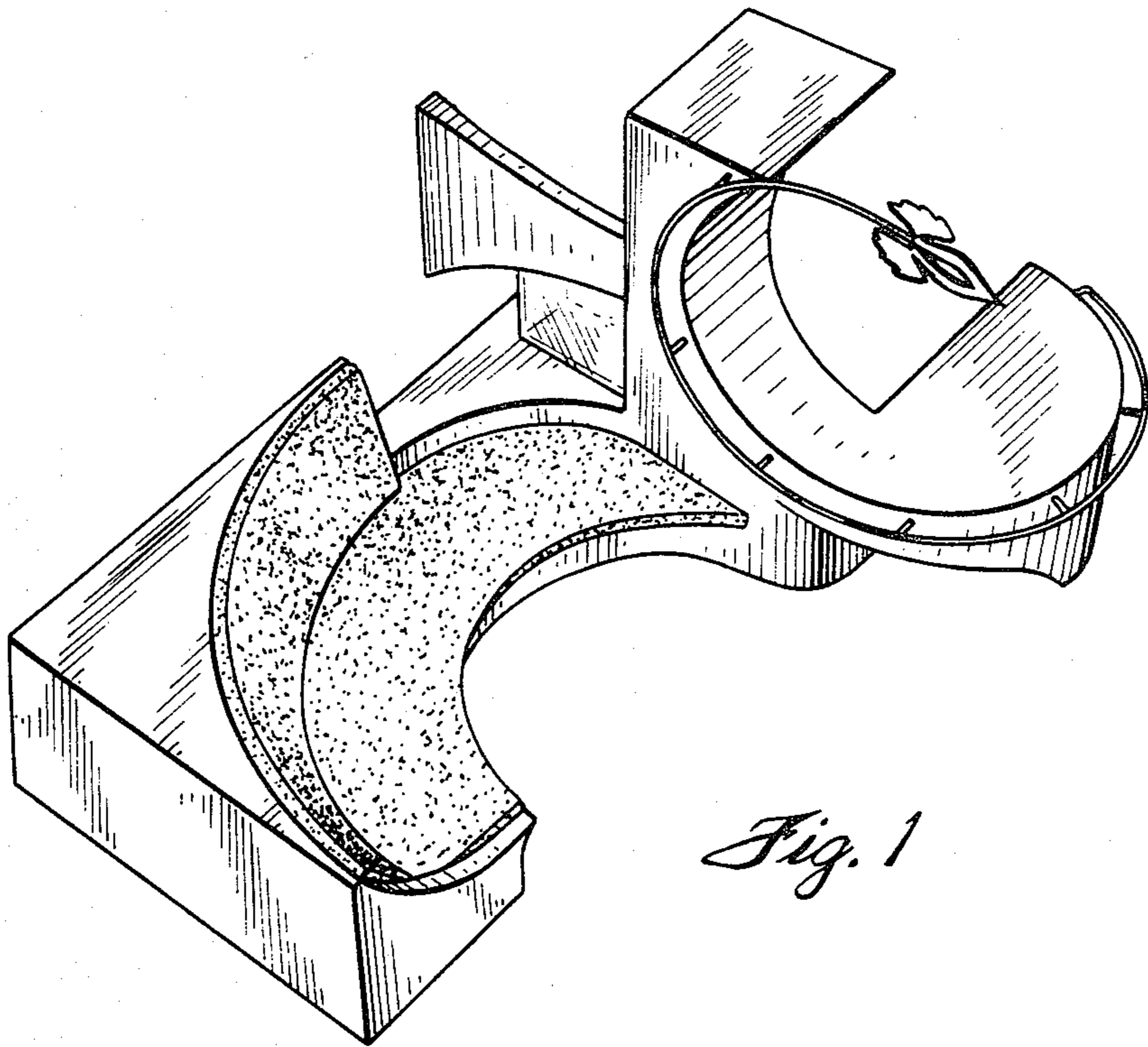
[57] CLAIM

The ornamental design for a combined seat, table and shelf unit, as shown.

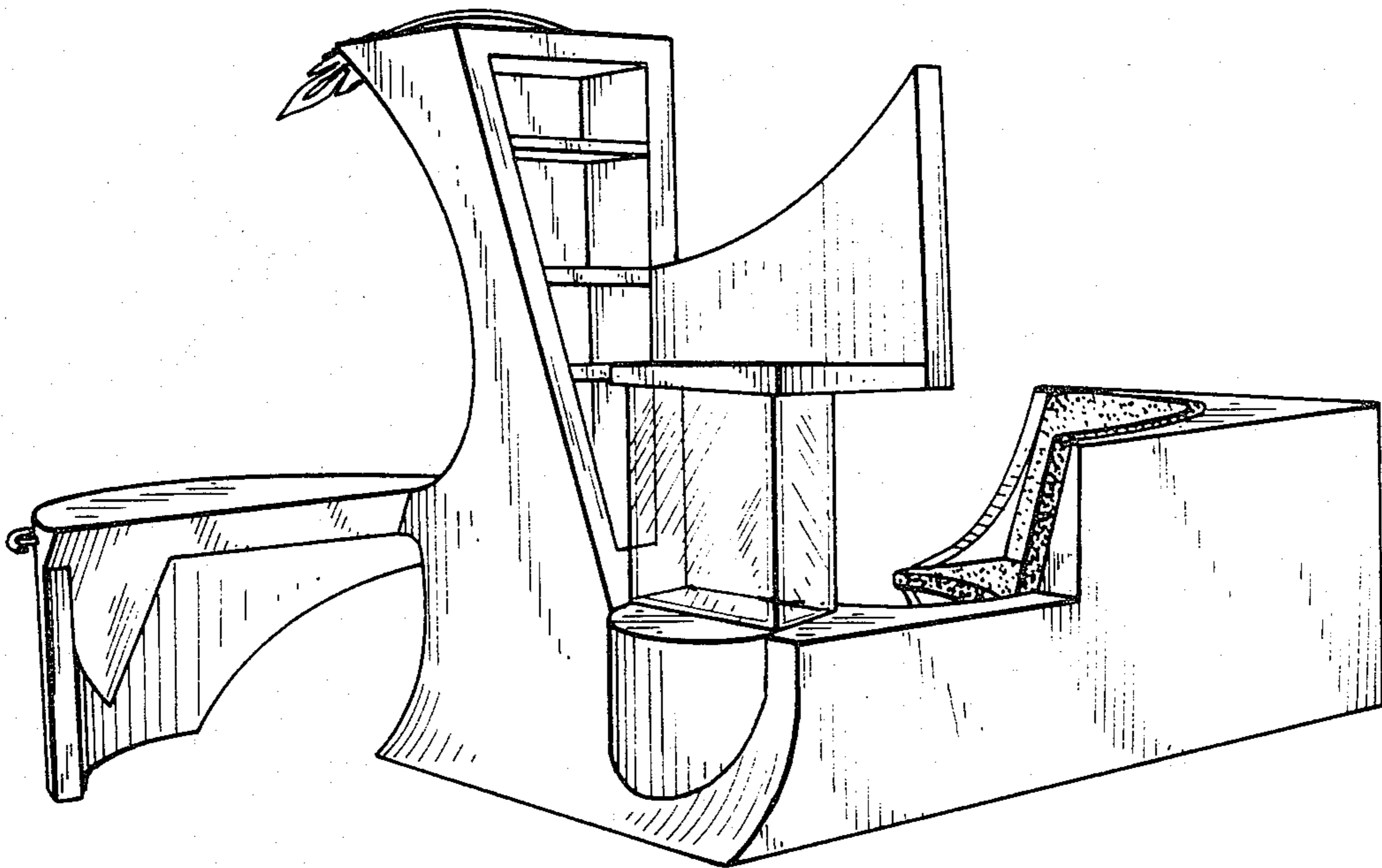
DESCRIPTION

FIG. 1 is a perspective view of the combined seat, table, and shelf unit showing my design;  
FIG. 2 is another perspective view of the unit embodying the ornamental design of my invention;  
FIG. 3 is a front elevational view of the unit;  
FIG. 4 is a left side elevational view of the unit;  
FIG. 5 is a rear elevational view of the unit;  
FIG. 6 is a right side elevational view of the unit; and  
FIG. 7 is a top plan view of the unit.

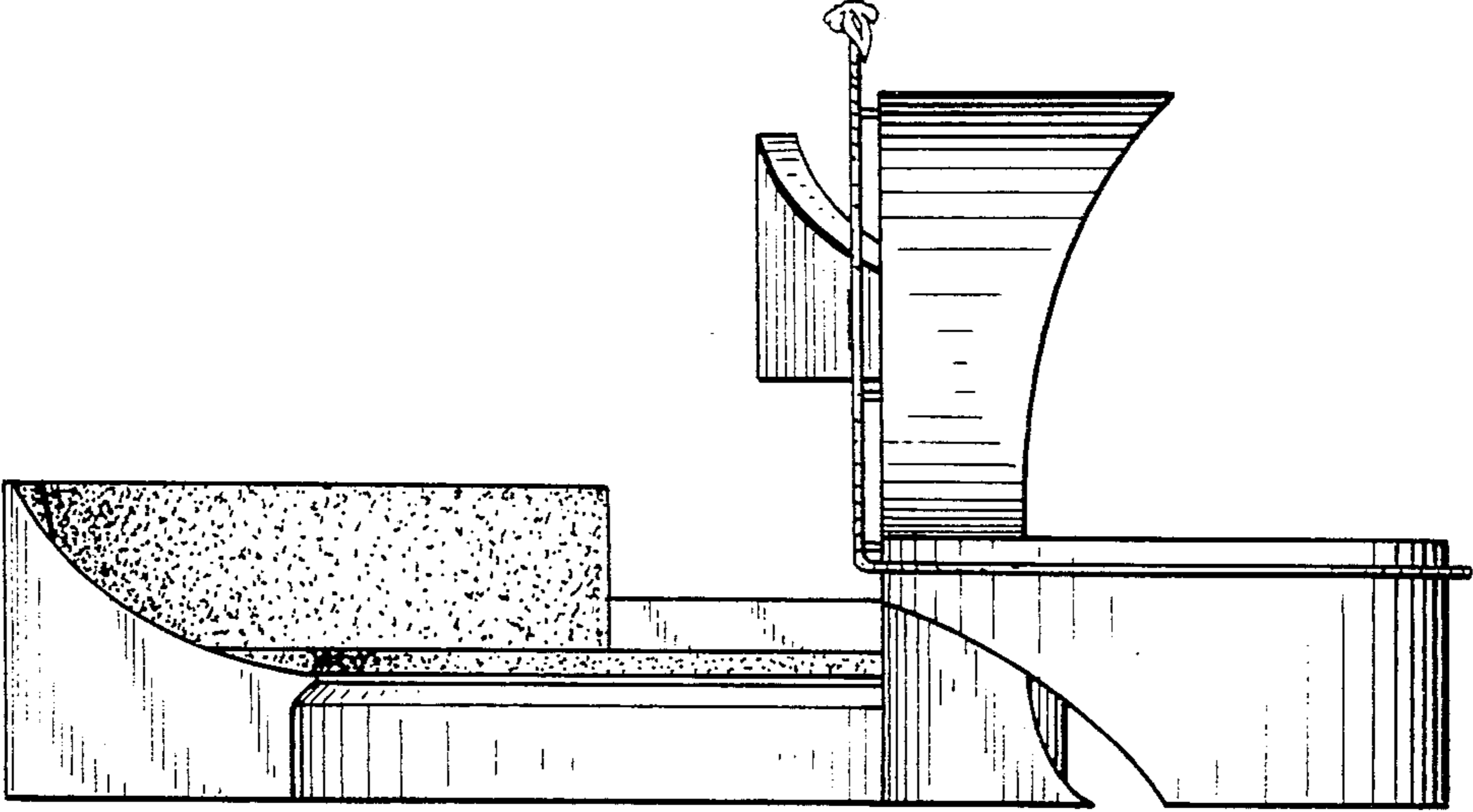




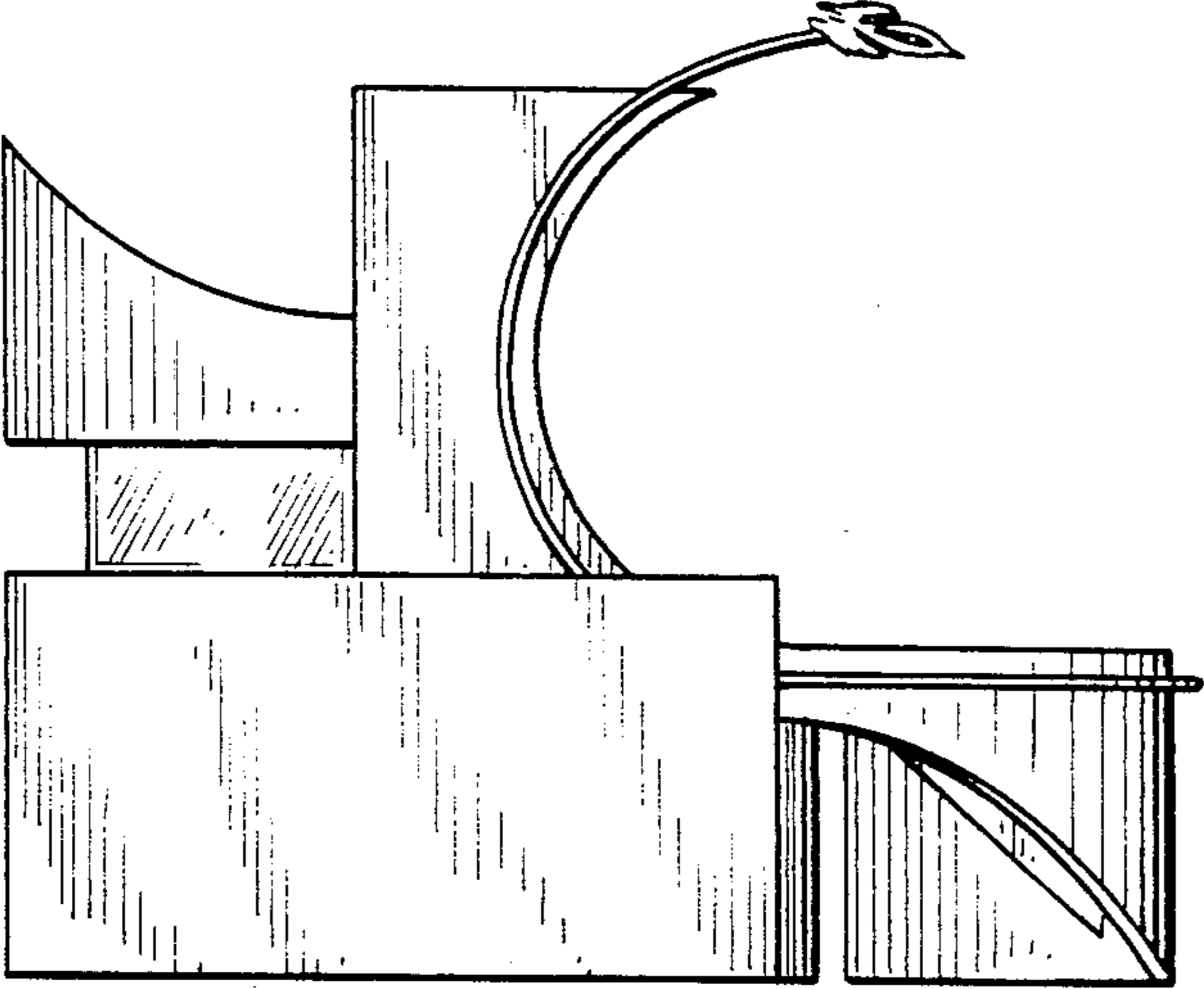
*Fig. 1*



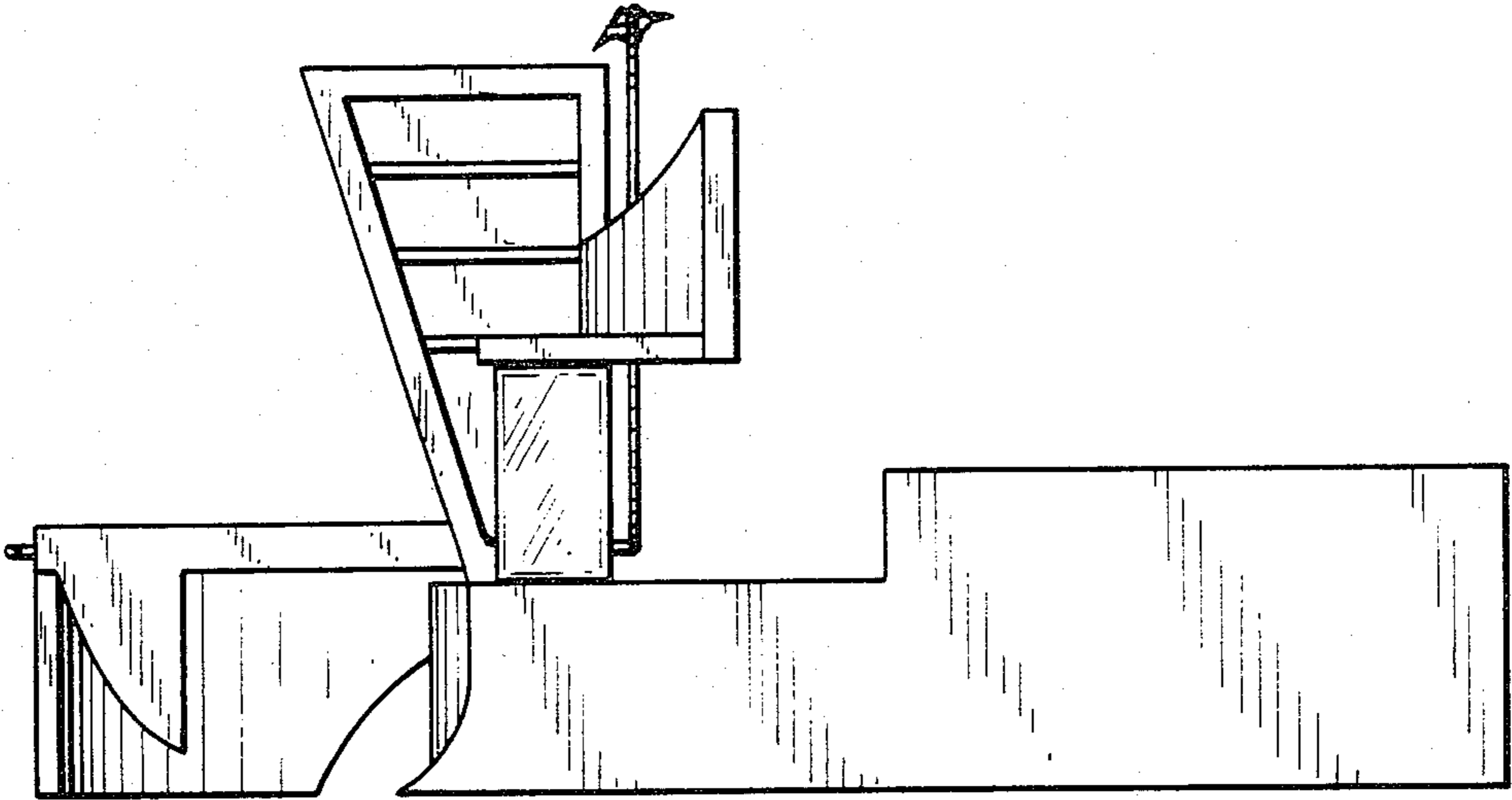
*Fig. 2*



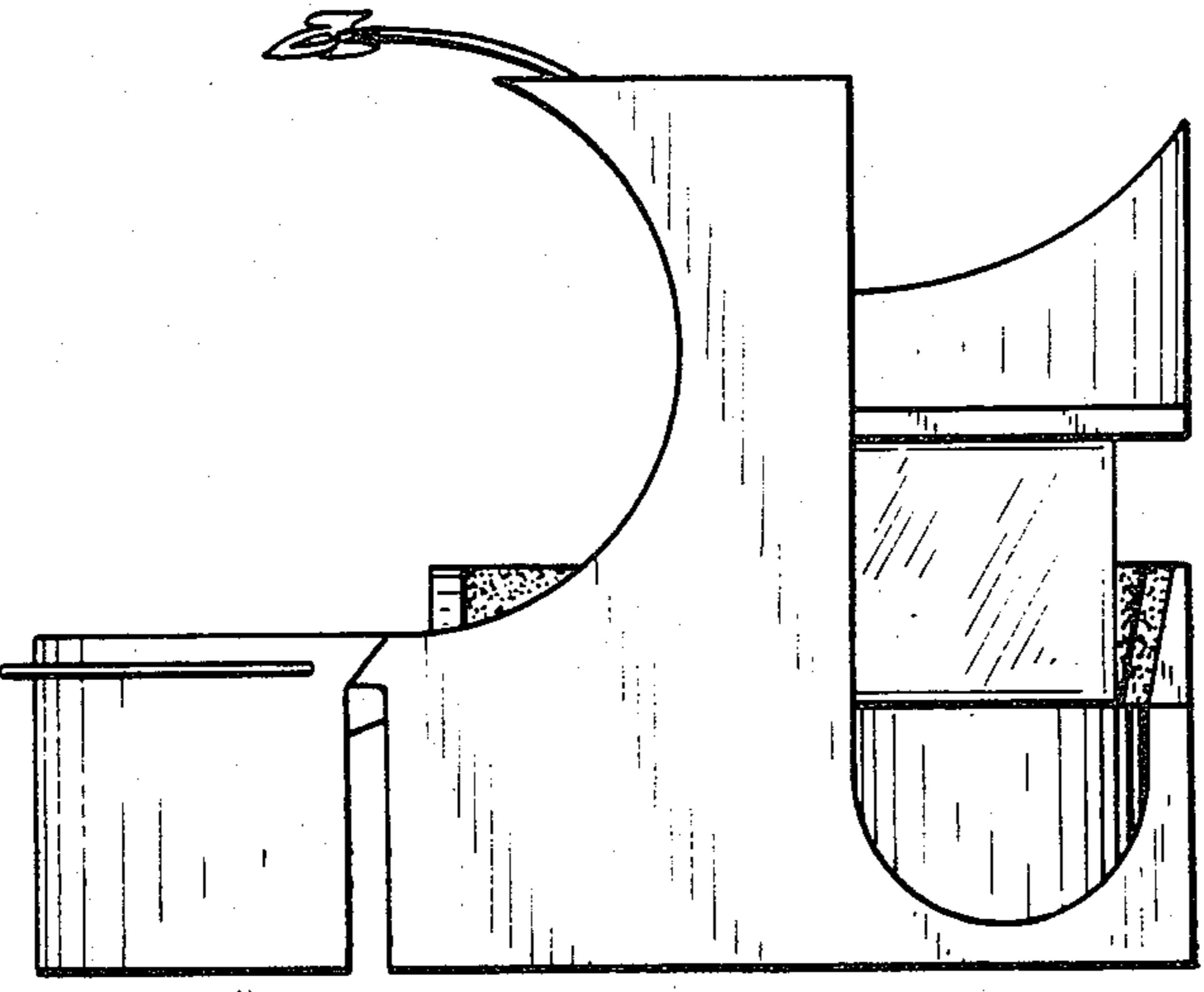
*Fig. 3*



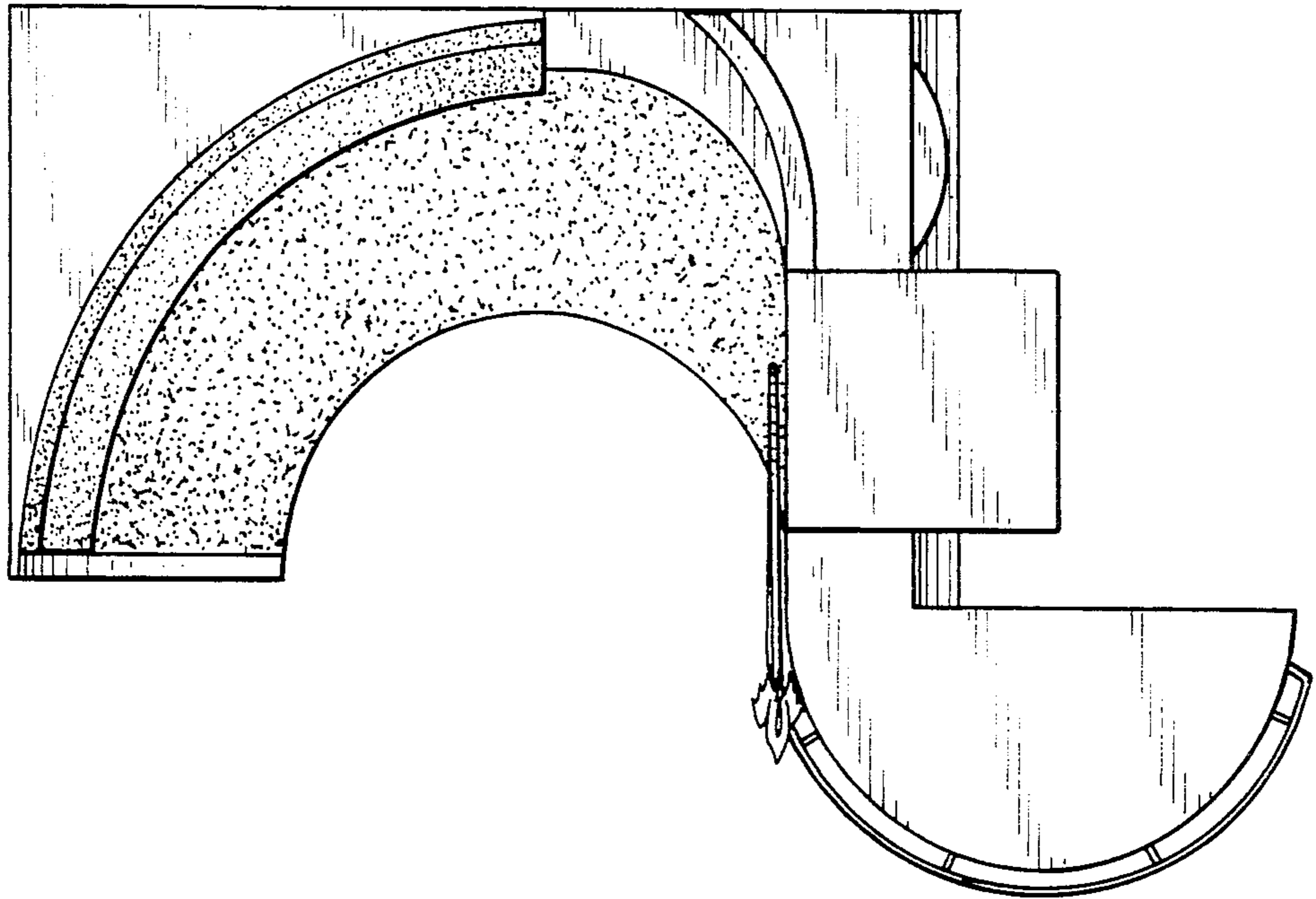
*Fig. 4*



*Fig. 5*



*Fig. 6*



*Fig. 7*