

[54] **HOLDER FOR A TYPE FONT DISC**

[76] Inventor: **Alvin J. Weiner**, 112 Warren St.,
Randolph, Mass. 02368

[**] Term: **14 Years**

[21] Appl. No.: **429,303**

[22] Filed: **Sep. 30, 1982**

[52] U.S. Cl. **D3/35; D18/12**

[58] Field of Search **D18/1, 2, 12, 22;**
400/689-694; D3/35; D9/424, 341; 206/303,
387, 389, 224, 444, 486, 576

[56] **References Cited**

U.S. PATENT DOCUMENTS

D. 218,539	8/1970	Gould, Jr. et al.	D3/35 X
D. 266,742	11/1982	Claxton	D18/12 X
3,902,598	9/1975	Koob et al.	206/387
4,332,490	6/1982	Tschudi	400/692 X

Primary Examiner—Louis S. Zarfes
Attorney, Agent, or Firm—Herbert L. Bello

[57] **CLAIM**

The ornamental design for a holder for a type font disc,
as shown and described.

DESCRIPTION

FIG. 1 is a perspective view of a holder for a type font
disc showing my new design;

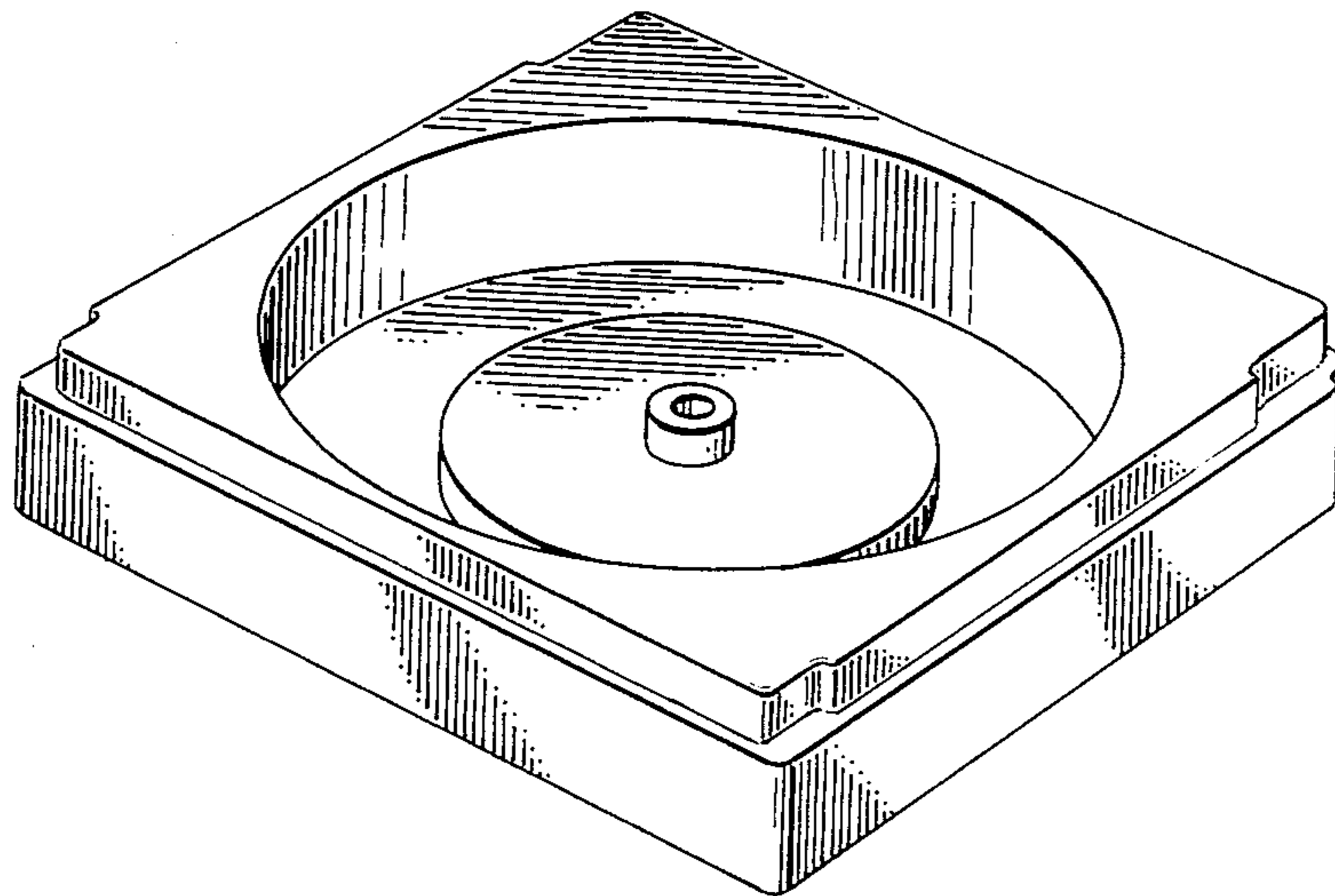
FIG. 2 is a side view of the left front side of the holder
of FIG. 1;

FIG. 3 is a side view of the right front side of the holder
of FIG. 1, the left rear side being a mirror image
thereof;

FIG. 4 is a side view of the right rear side of the holder
of FIG. 1;

FIG. 5 is a top view of the holder of FIG. 1; and

FIG. 6 is a bottom view of the holder of FIG. 1.



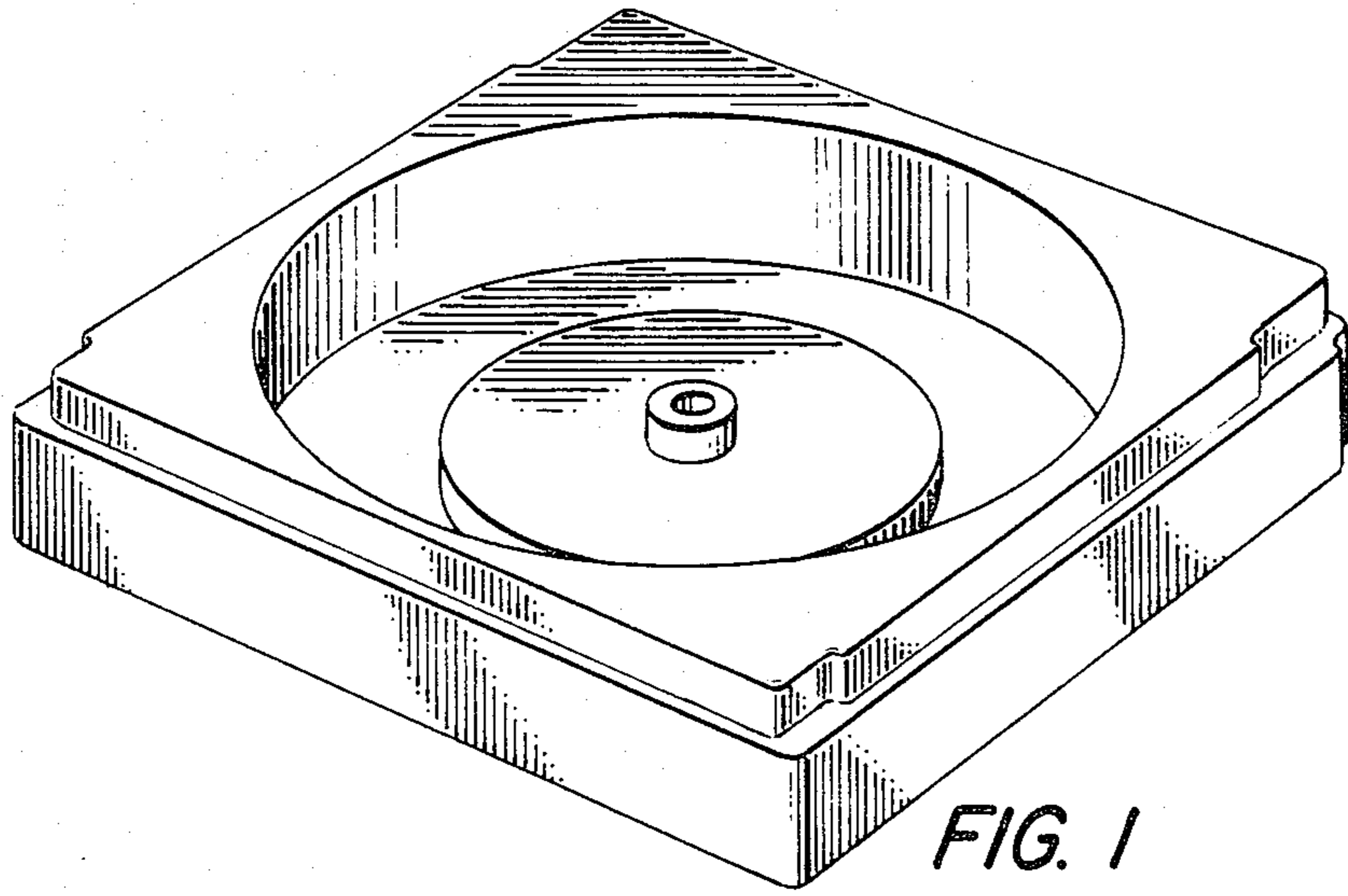


FIG. 1

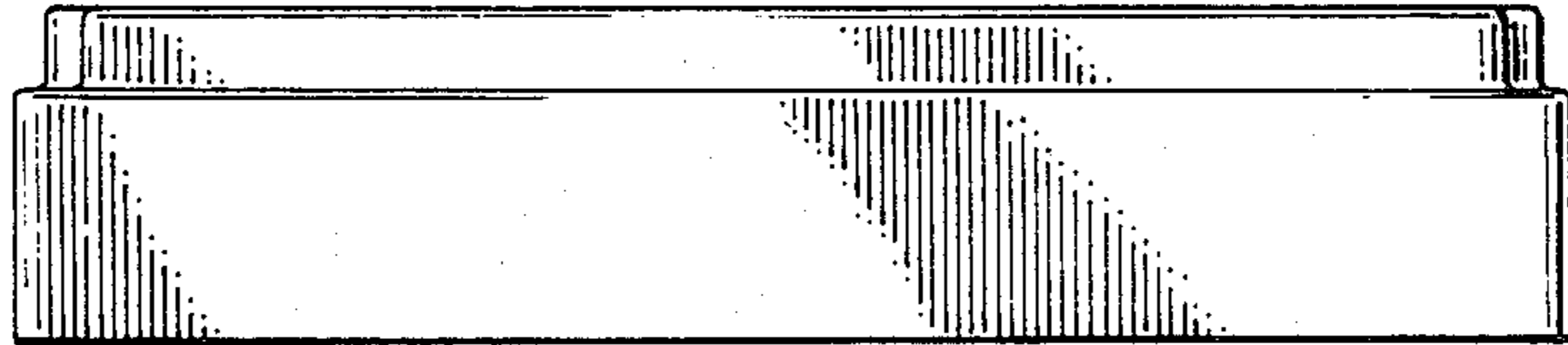


FIG. 2

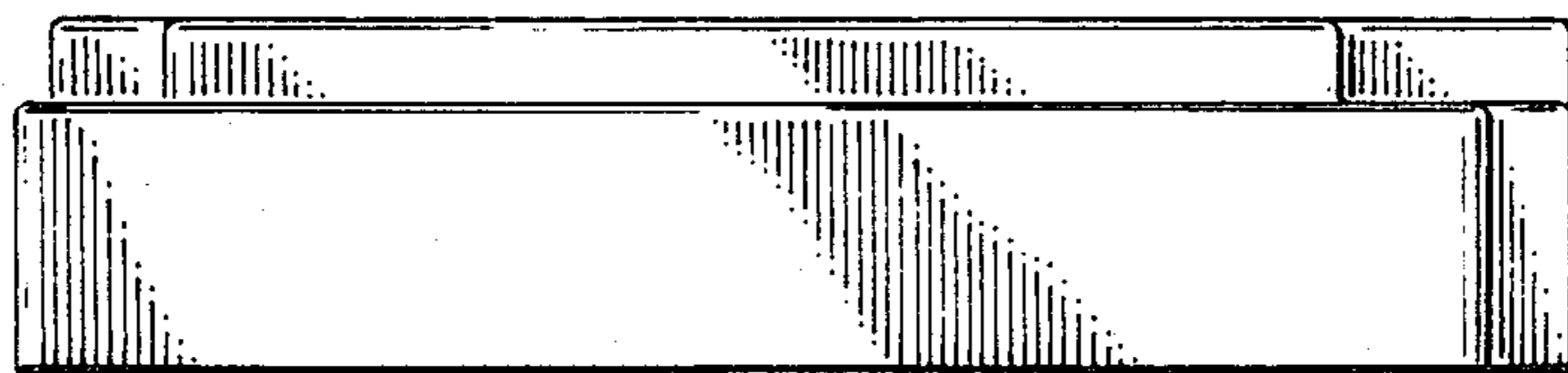


FIG. 3

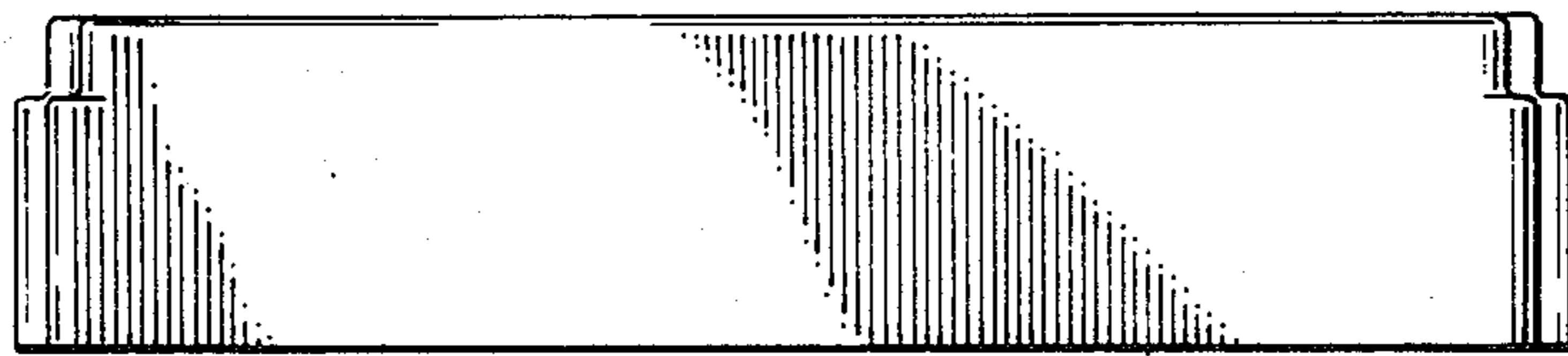


FIG. 4

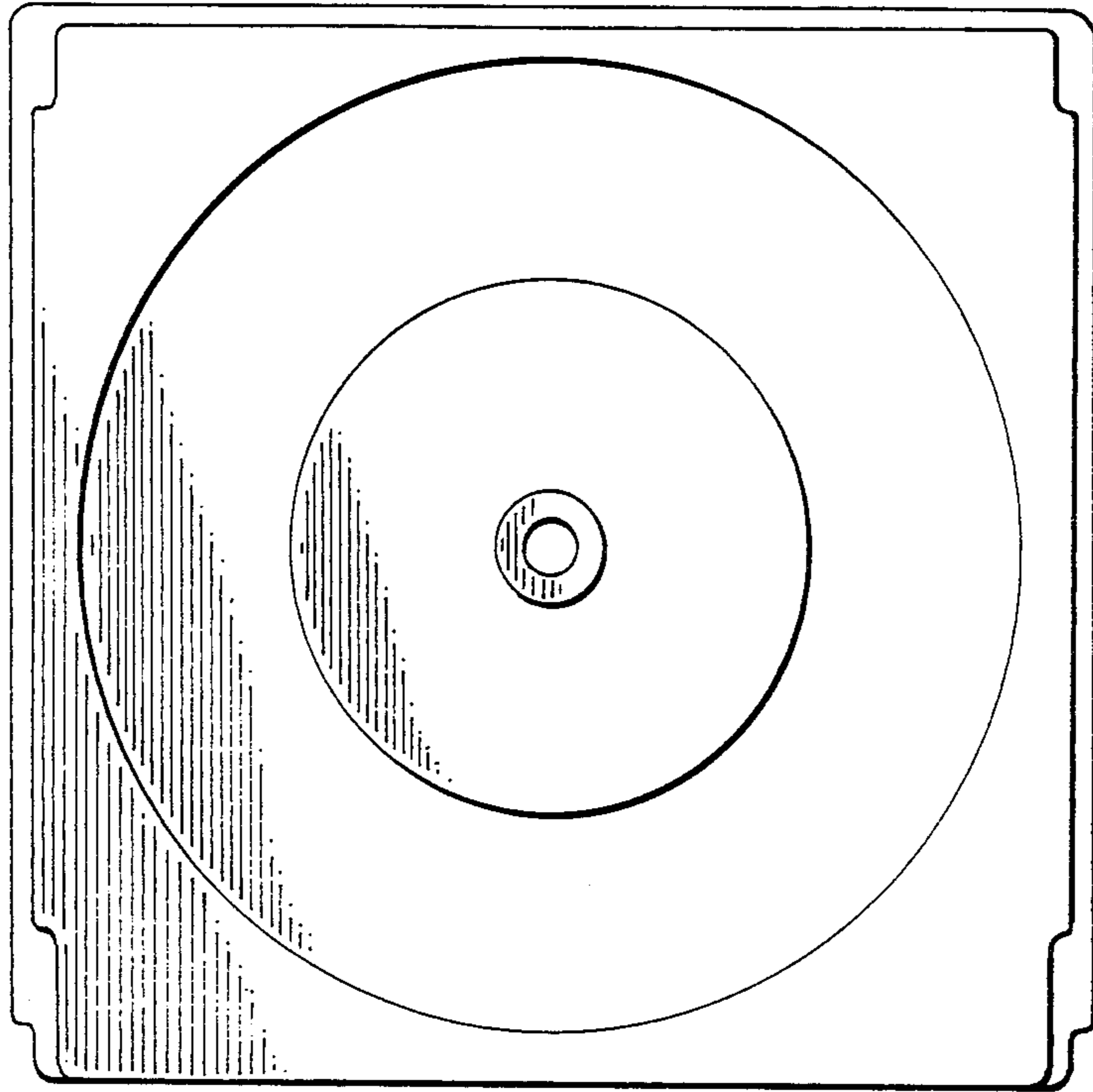


FIG. 5

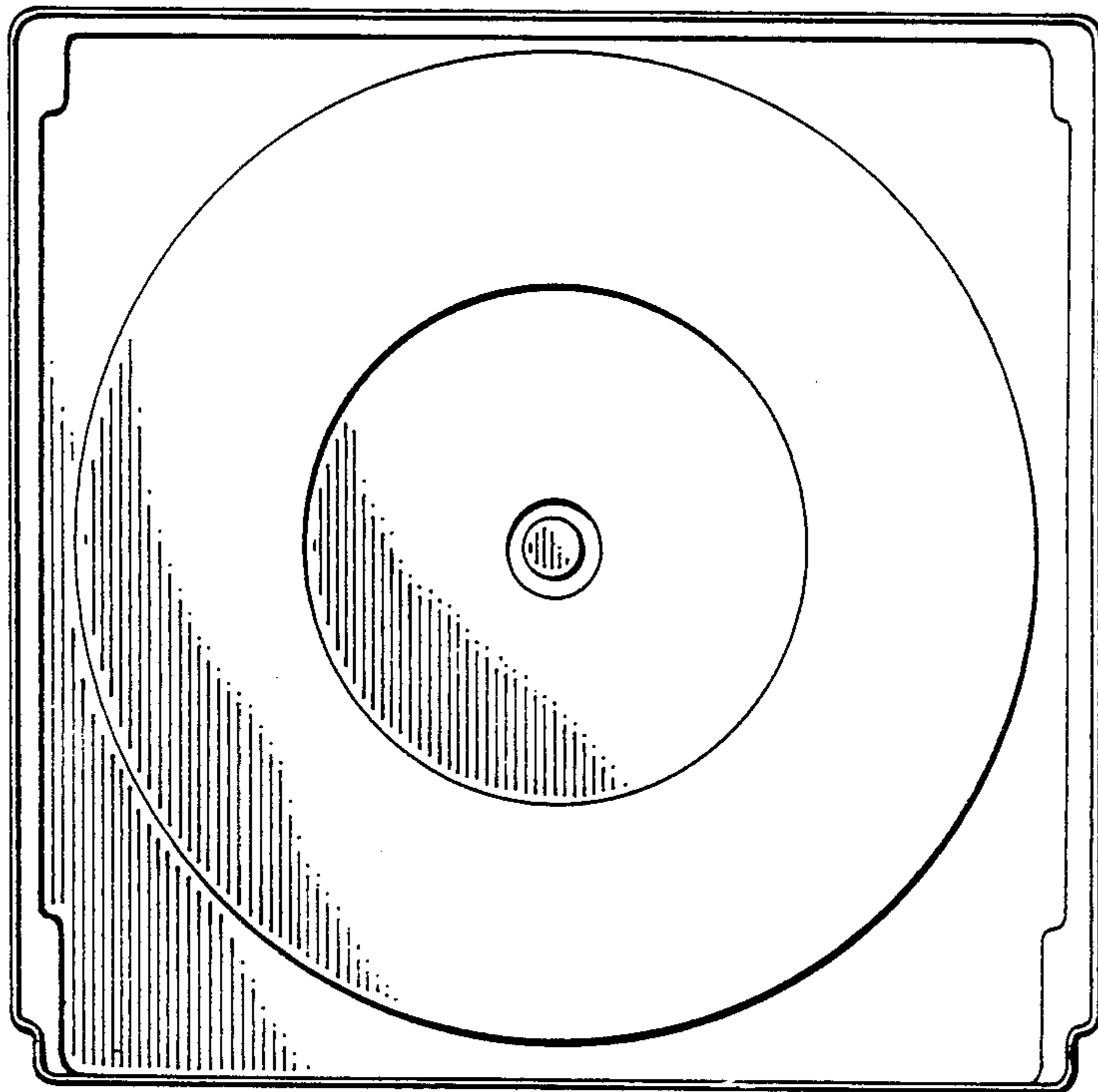


FIG. 6