

[54] **ORNAMENTAL DESIGN FOR A CHOCOLATE REPRESENTING A PERSONAL COMPUTER**

[75] Inventor: **Masao Sekiyama**, Tokyo, Japan

[73] Assignee: **Akutagawa Confectionary Co., Ltd.**, Tokyo, Japan

[\*\*] Term: **14 Years**

[21] Appl. No.: **452,032**

[22] Filed: **Dec. 22, 1982**

[30] **Foreign Application Priority Data**

Oct. 30, 1982 [JP] Japan ..... 57-49445

[52] U.S. Cl. .... **D1/106**

[58] Field of Search ..... D14/106; D18/2, 7; D1/15, 99; D19/60; D21/13, 38

[56] **References Cited**

**U.S. PATENT DOCUMENTS**

D. 238,787	2/1976	Ferrara	.....	D14/106
D. 243,460	2/1977	Greenfield et al.	.....	D14/106
D. 262,706	1/1982	Vierling et al.	.....	D14/106
D. 269,679	7/1983	Morooka	.....	D14/106
D. 270,349	8/1983	Stead	.....	D14/106

**OTHER PUBLICATIONS**

Confectioner's Machinery and Tools by Thomas Mills and Bros., p. 48, FIG. 738 Cable Car.

Thomas Mills & Brother, 1924 Catalog, of Confectioners' Tools and Machinery, p. 33, FIG. 138, Locomotive.

*Primary Examiner*—Bernard Ansher  
*Assistant Examiner*—Linda Titolo  
*Attorney, Agent, or Firm*—Holman & Stern

[57] **CLAIM**

The ornamental design for a chocolate representing a personal computer, as shown and described.

**DESCRIPTION**

FIG. 1 is a front elevational view of the chocolate representing a personal computer.

FIG. 2 is a top plane view thereof.

FIG. 3 is a side elevational view from the left of FIG. 1.

FIG. 4 is a side elevational view from the right of FIG. 1.

FIG. 5 is a rear elevational view thereof.

FIG. 6 is a bottom plane view thereof.

FIG. 7 is a front perspective view thereof.

FIG. 8 is a sectional view taken along line 8—8 of FIG. 1.

FIG. 9 is a sectional view taken along line 9—9 of FIG. 1.

FIG. 10 is an enlarged view of the numerical read-out number.

FIG. 11 is an enlarged fragmentary view of the keyboard.

FIG. 12 is an enlarged fragmentary cross-section taken on line 12—12 of FIG. 9; and

FIG. 13 is an enlarged fragmentary cross-section taken on line 13—13 of FIG. 9.

FIGS. 10-13 are shown separately for clarity of illustration.

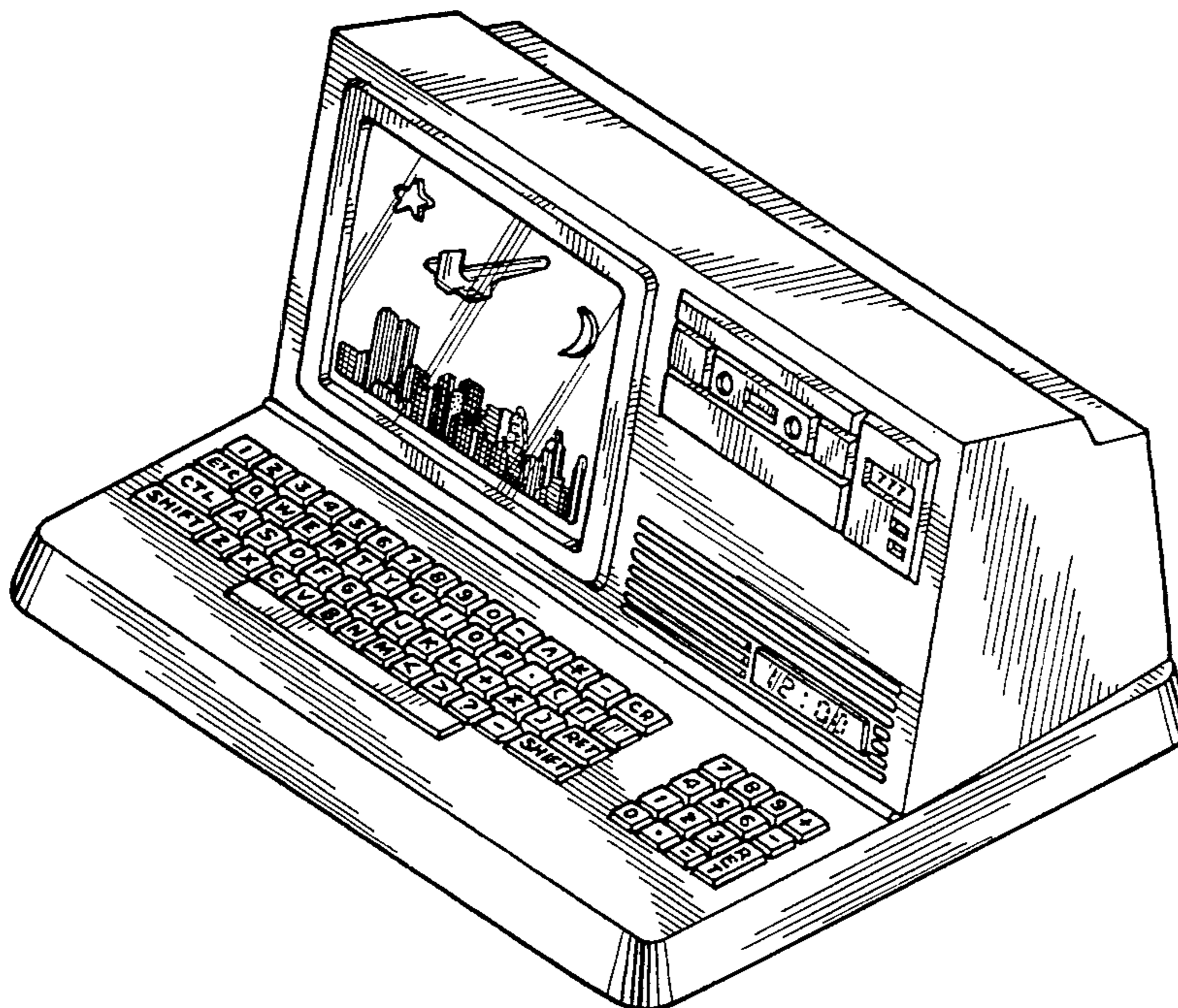


FIG. 1

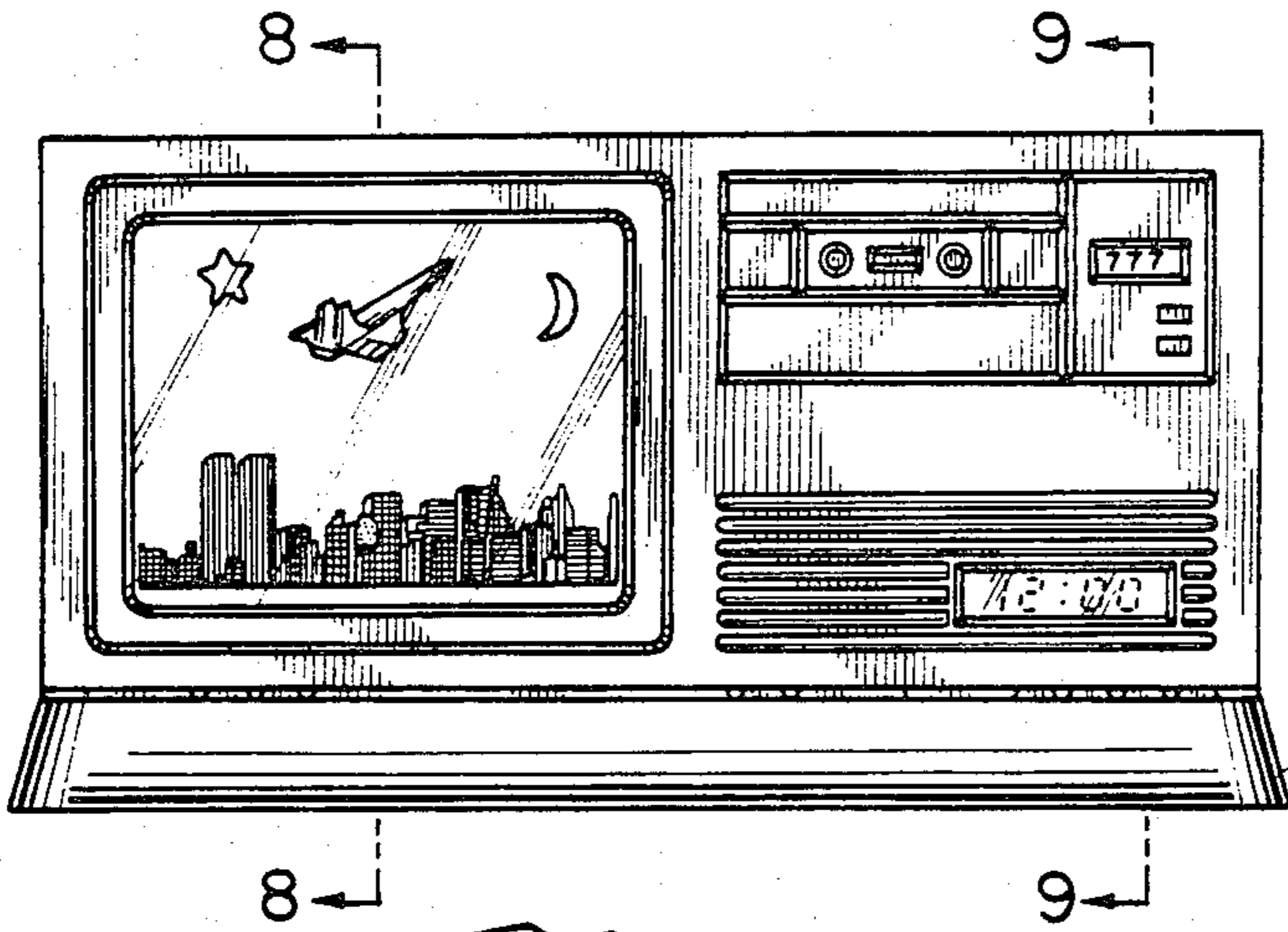


FIG. 10

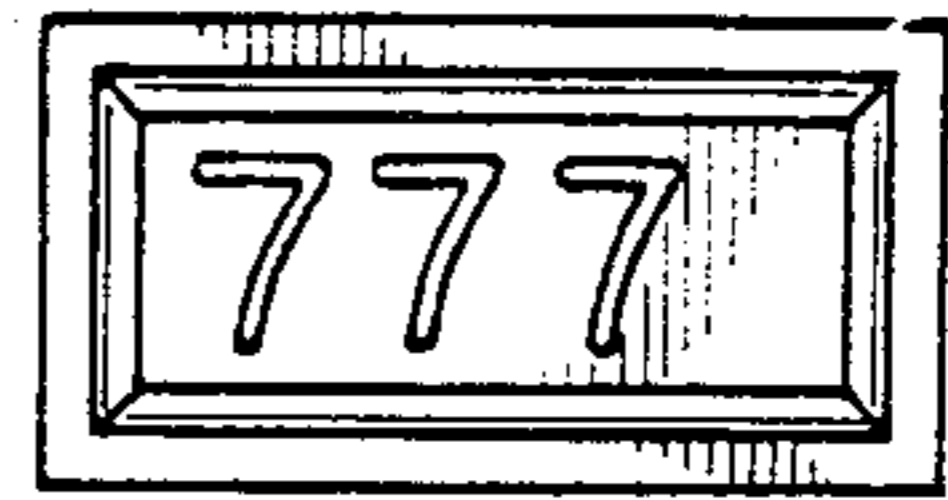


FIG. 11

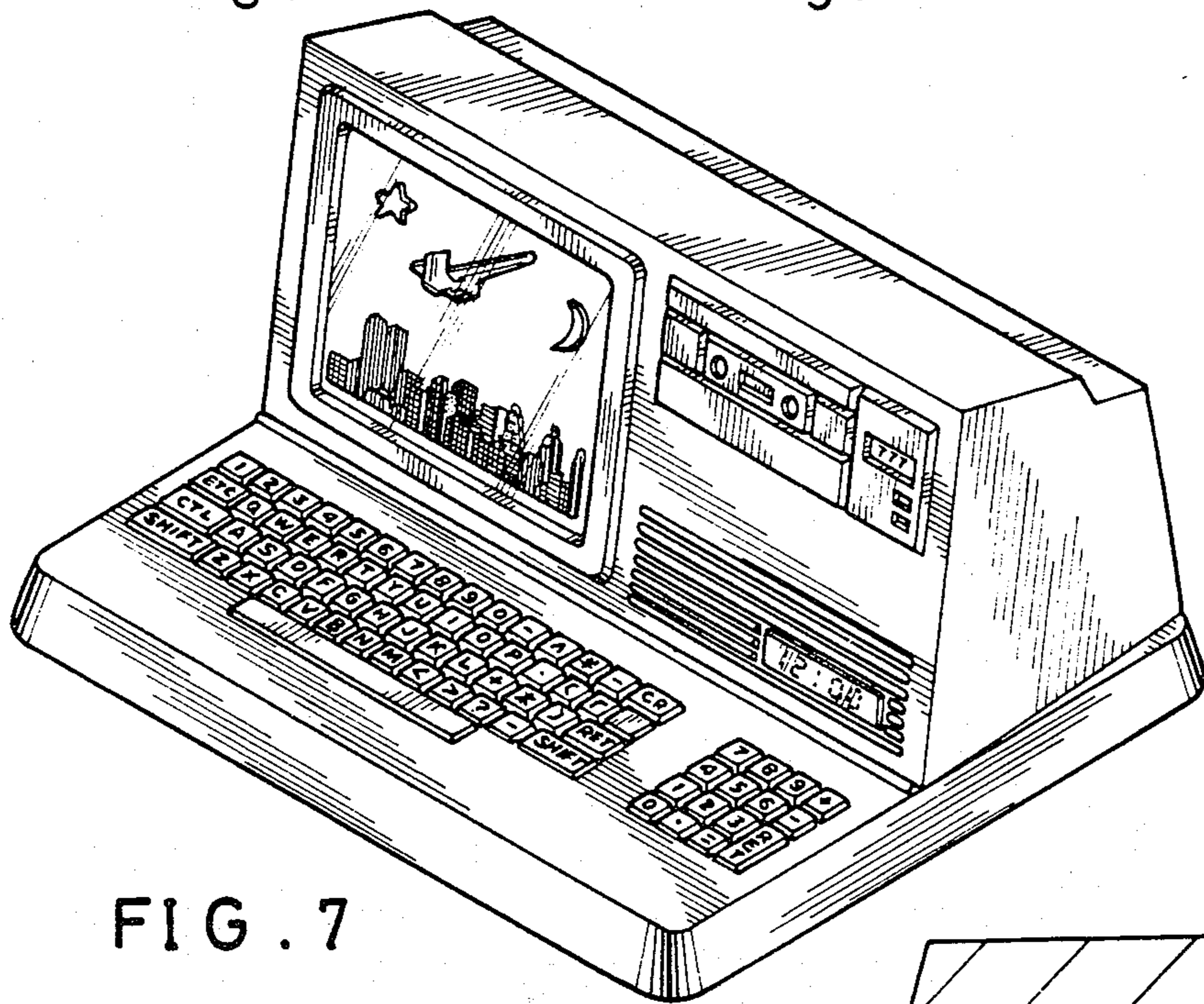
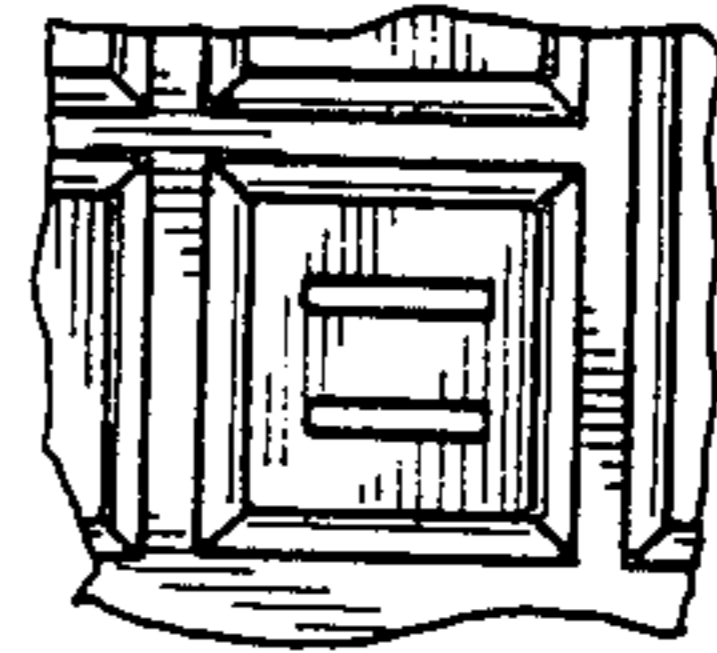


FIG. 7

FIG. 13

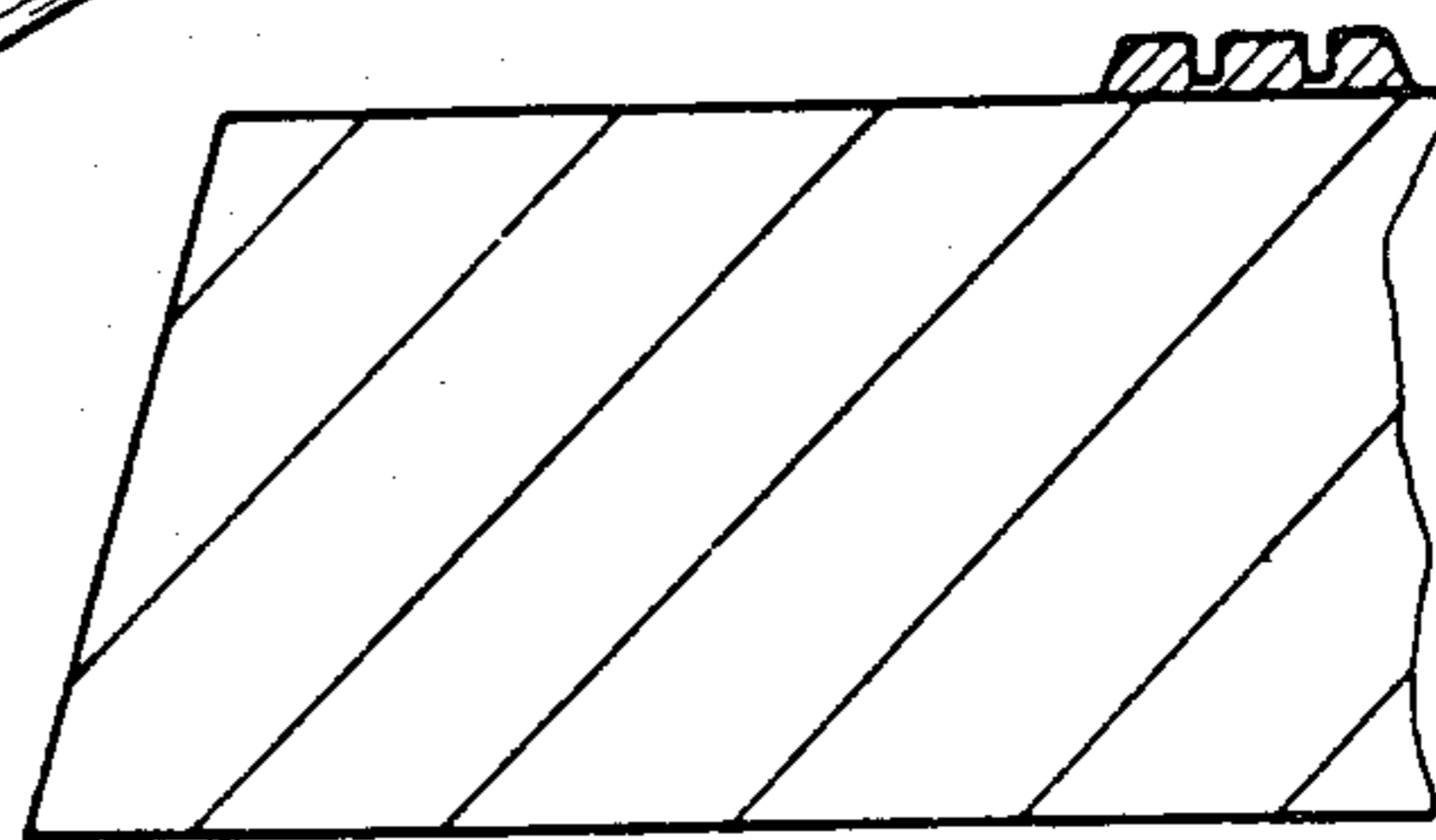




FIG. 8

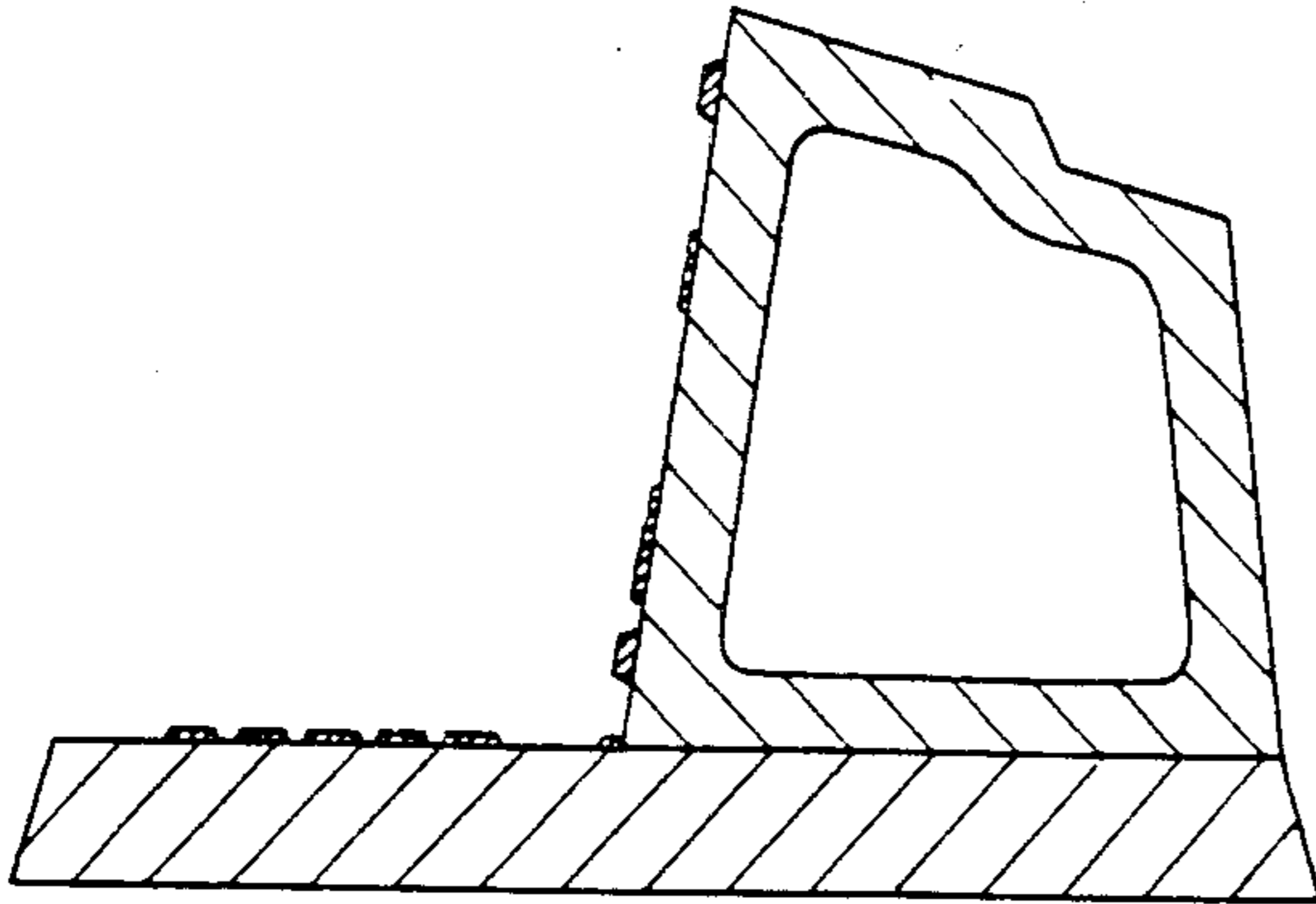


FIG. 9

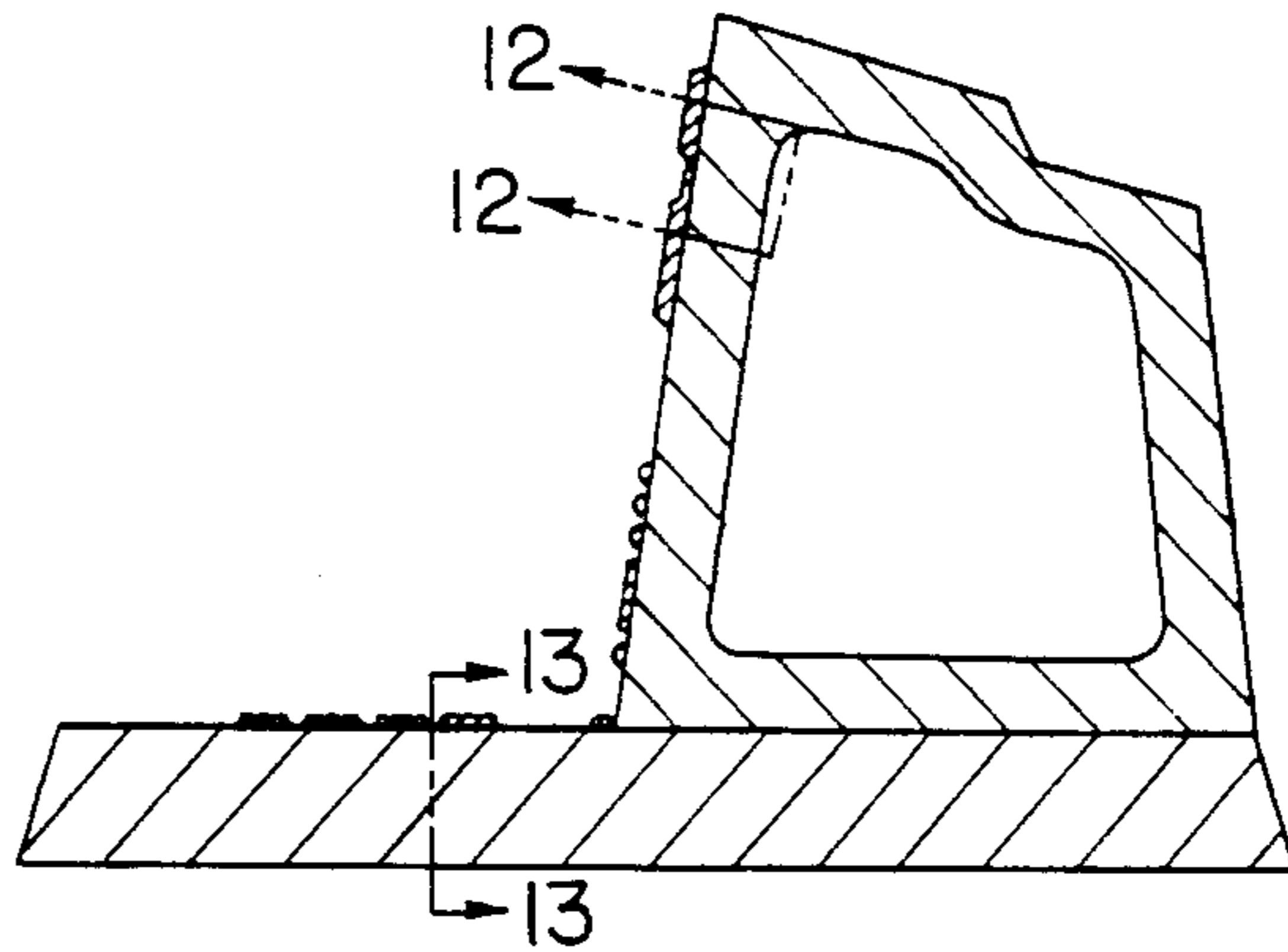


FIG. 12

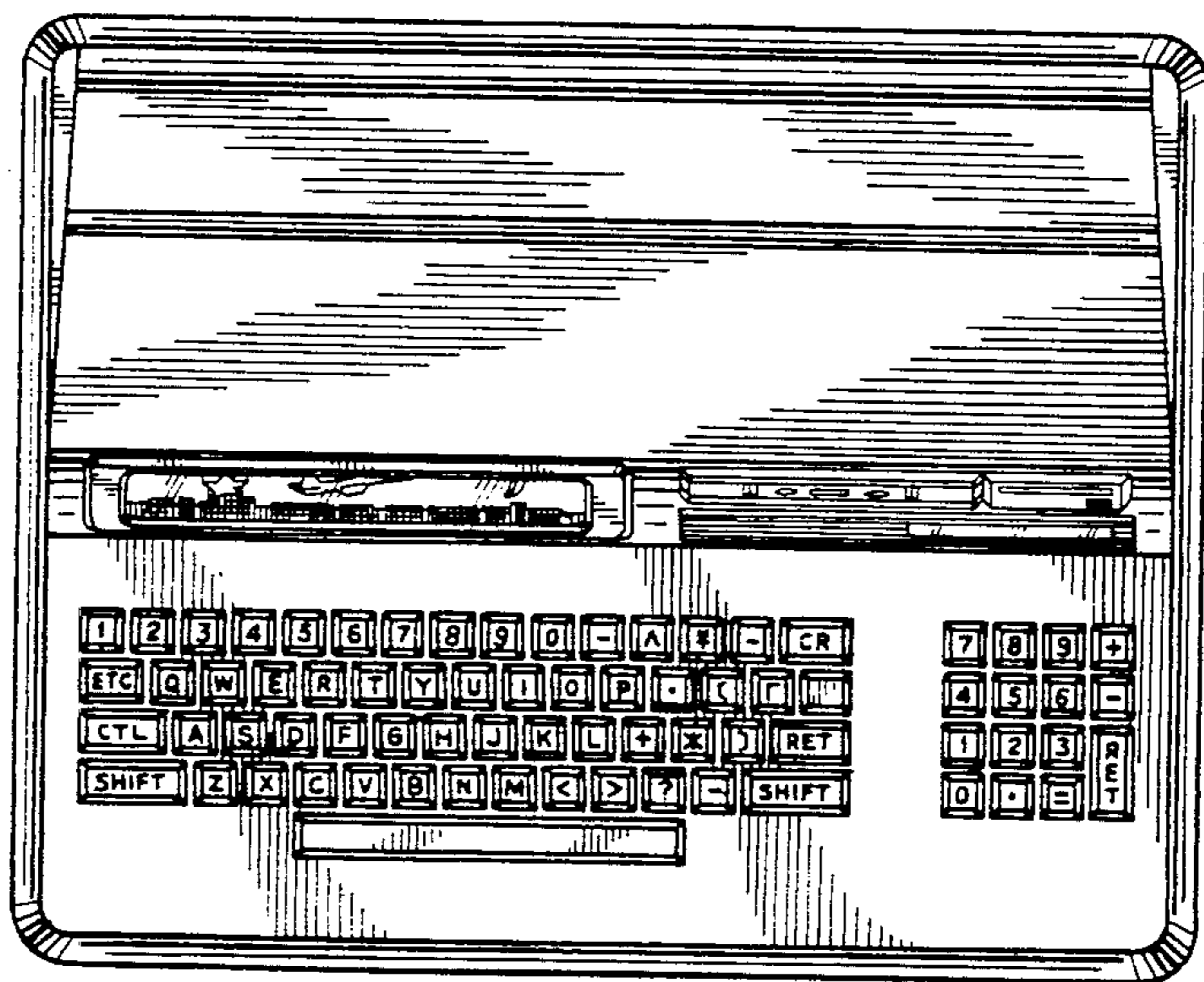
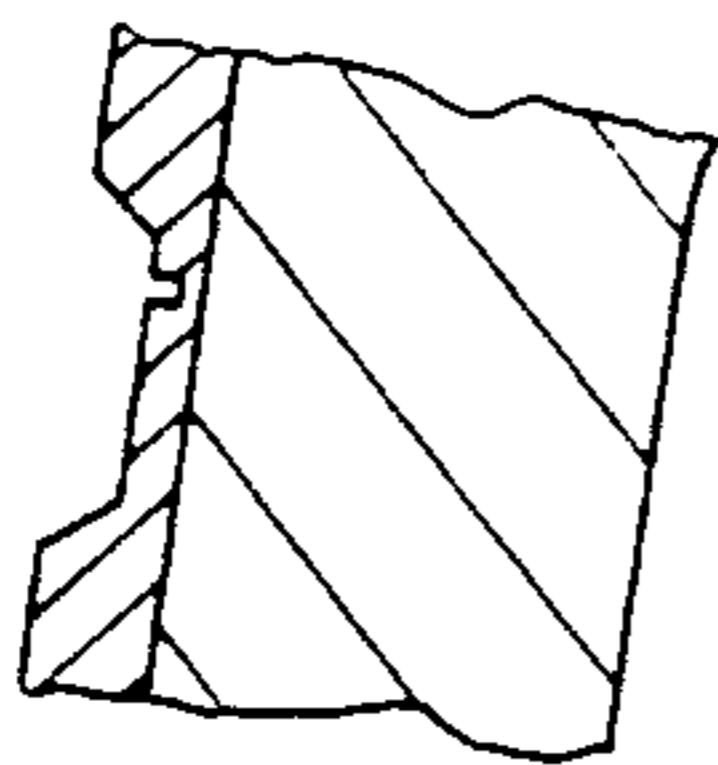


FIG. 2

FIG. 3

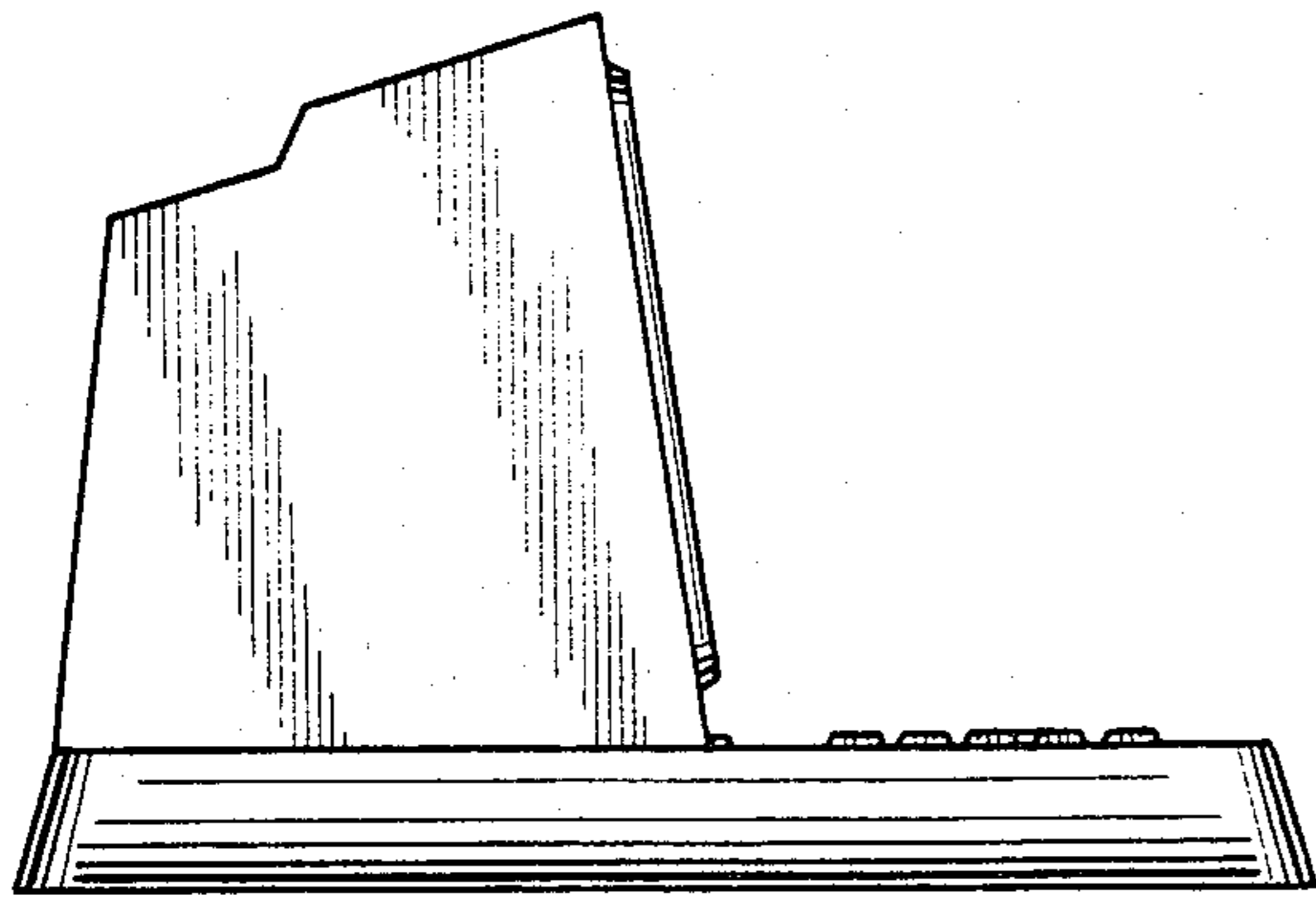


FIG. 4

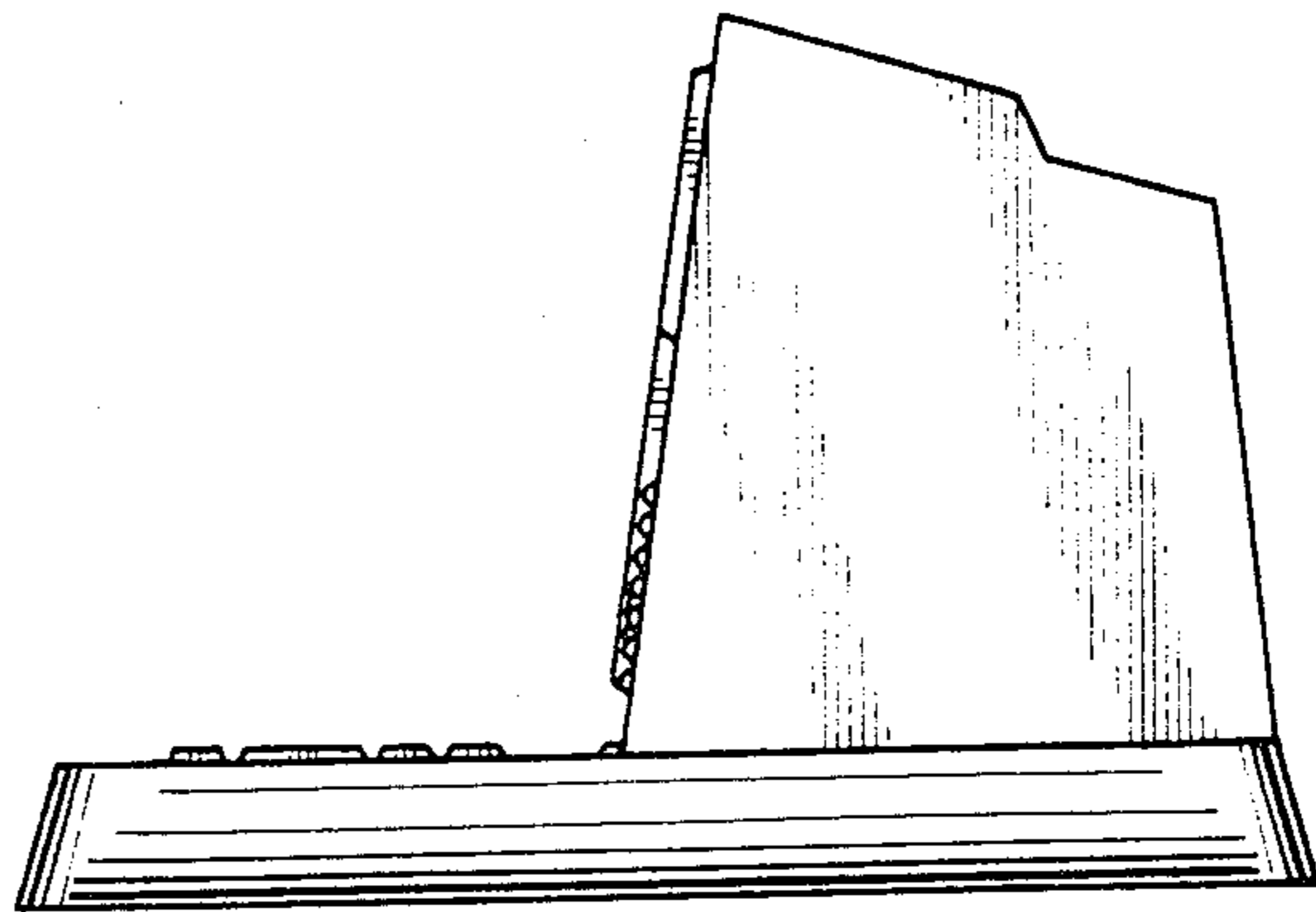


FIG. 5

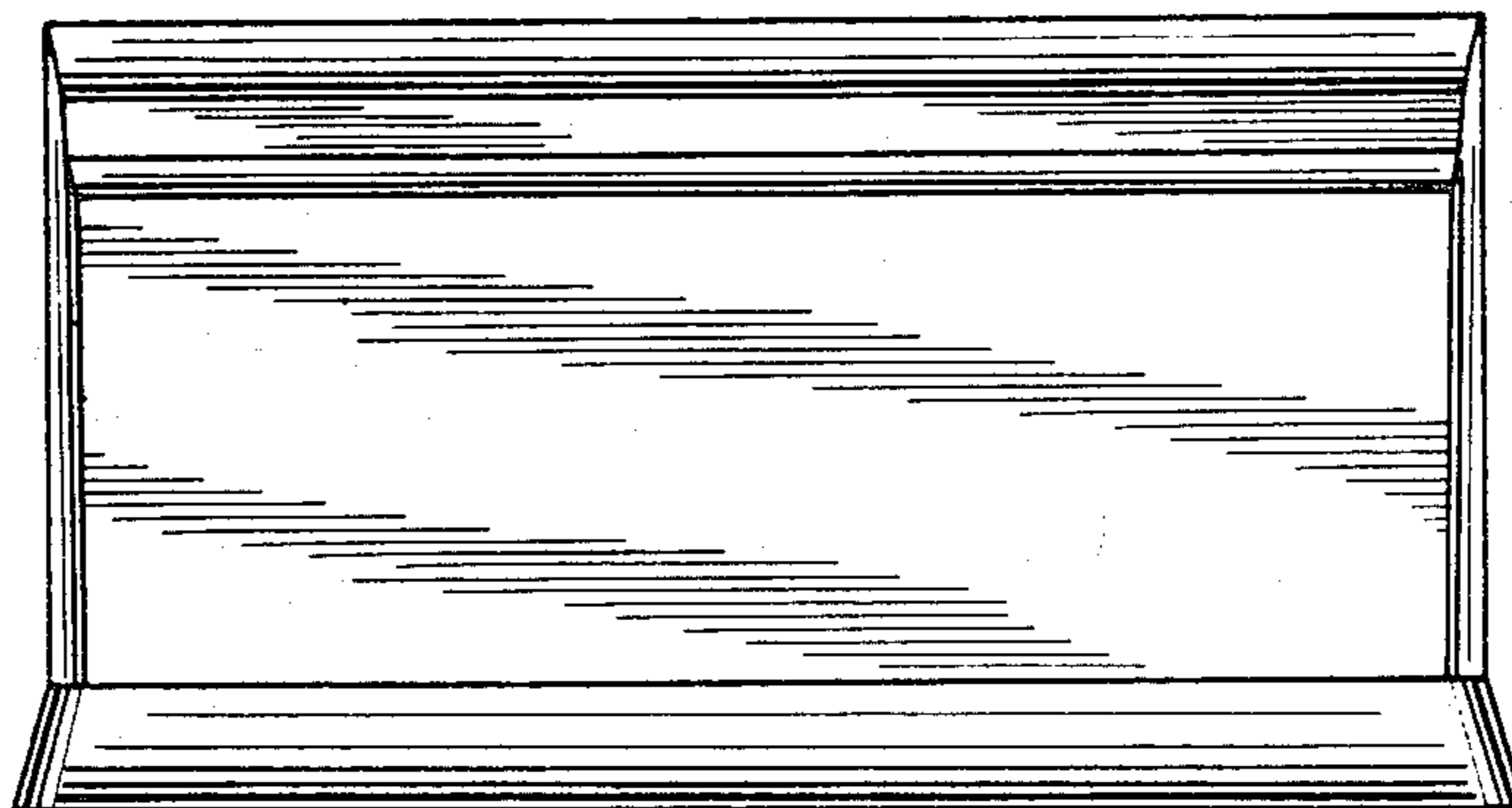


FIG. 6

