

[54] **STACKABLE UTILITY BASKET**

- [75] Inventor: **John D. Sinchok**, Wooster, Ohio
[73] Assignee: **Rubbermaid Incorporated**, Wooster, Ohio
[**] Term: **14 Years**
[21] Appl. No.: **392,273**
[22] Filed: **Jun. 25, 1982**
[52] U.S. Cl. **D34/44; D9/425**
[58] Field of Search 220/19, 83, 91; D9/425, D9/427; D34/40-46; 217/122-125; 206/203, 503-511; 150/48-51; D7/21

[56] **References Cited**

U.S. PATENT DOCUMENTS

- | | | | |
|------------|---------|---------------------|----------|
| D. 199,096 | 9/1964 | Barnett et al. | D34/43 |
| D. 268,622 | 4/1983 | Wolters et al. | D34/40 |
| 2,767,878 | 10/1956 | Brown | D9/425 X |
| 3,111,153 | 11/1963 | Sonka et al. | 150/48 |

OTHER PUBLICATIONS

Brochure showing Baskets "Product of Finland" marketed in U.S.A. by Tresmer, Inc. of Deerfield, Ill. Introduced in interstate commerce 1977.

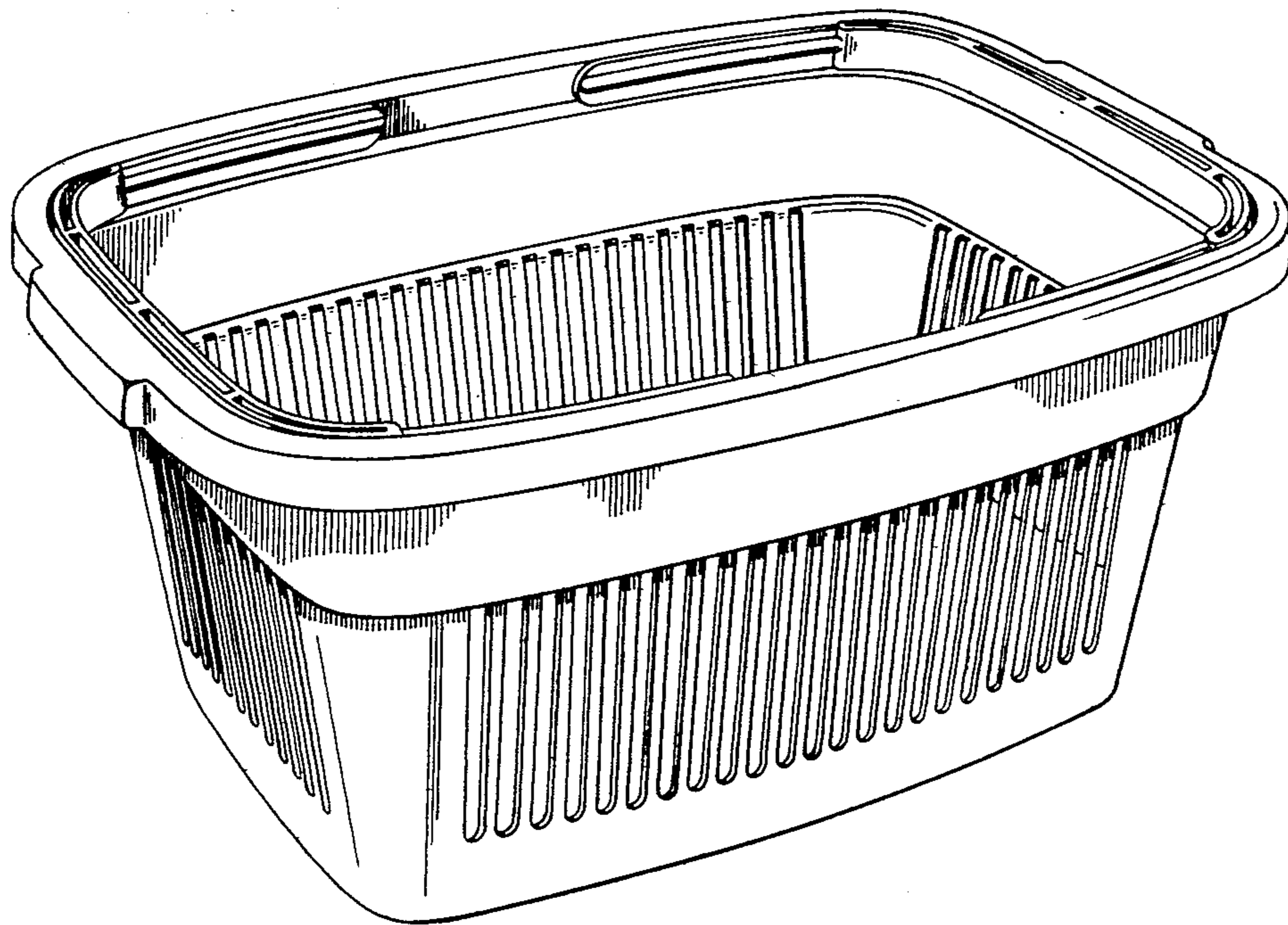
Primary Examiner—Robert C. Spangler
Attorney, Agent, or Firm—Renner, Kenner, Greive & Bobak

[57] **CLAIM**

The ornamental design for a stackable utility basket, as shown and described.

DESCRIPTION

FIG. 1 is a perspective view of a stackable utility basket embodying my new design;
FIG. 2 is a top plan view thereof; and
FIG. 3 is a cross-sectional view on line 3—3 of FIG. 2. The bottom of the basket is substantially a planar surface except for the rib shown in FIG. 3 which extends continuously around the bottom surface.



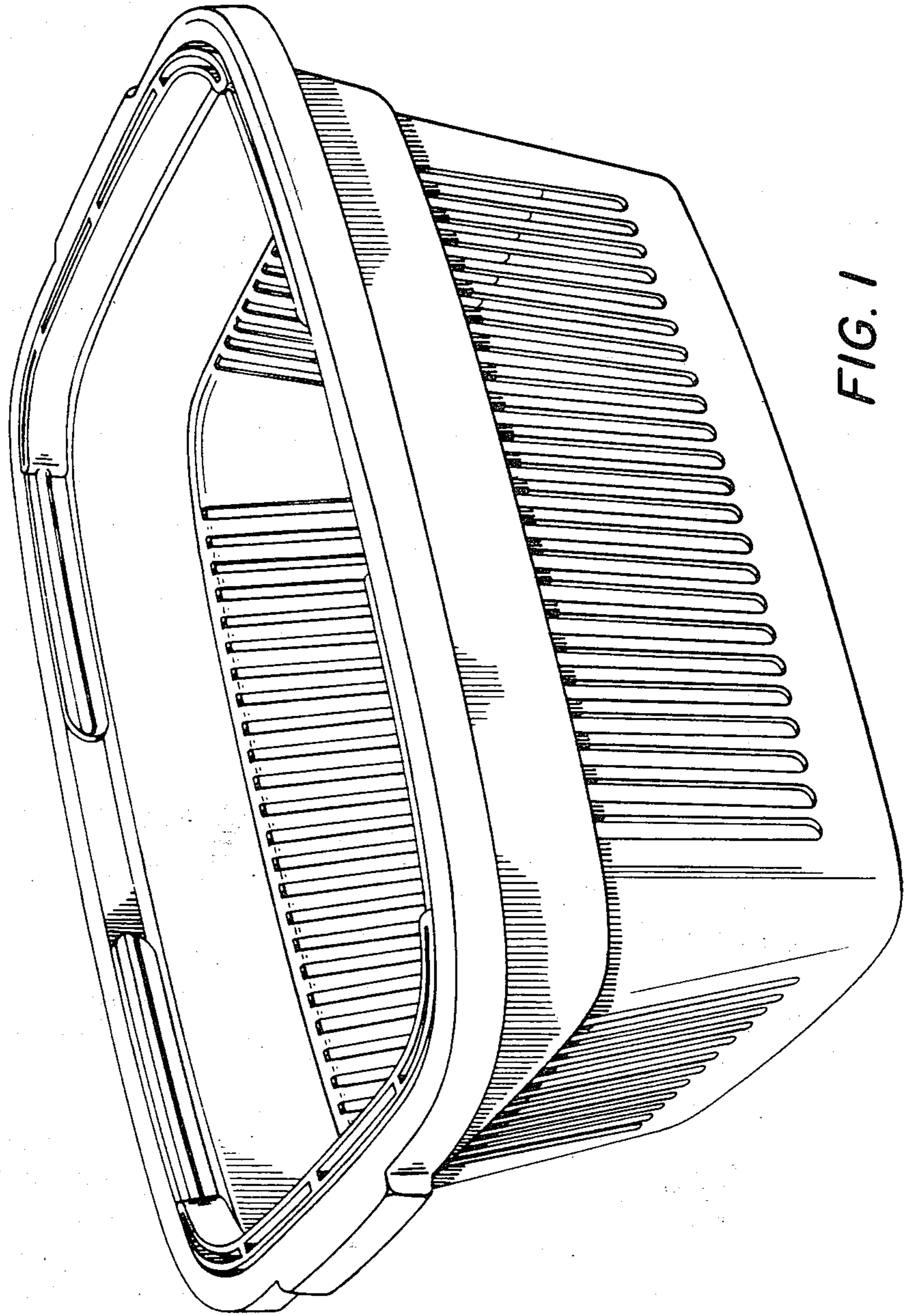


FIG. 1

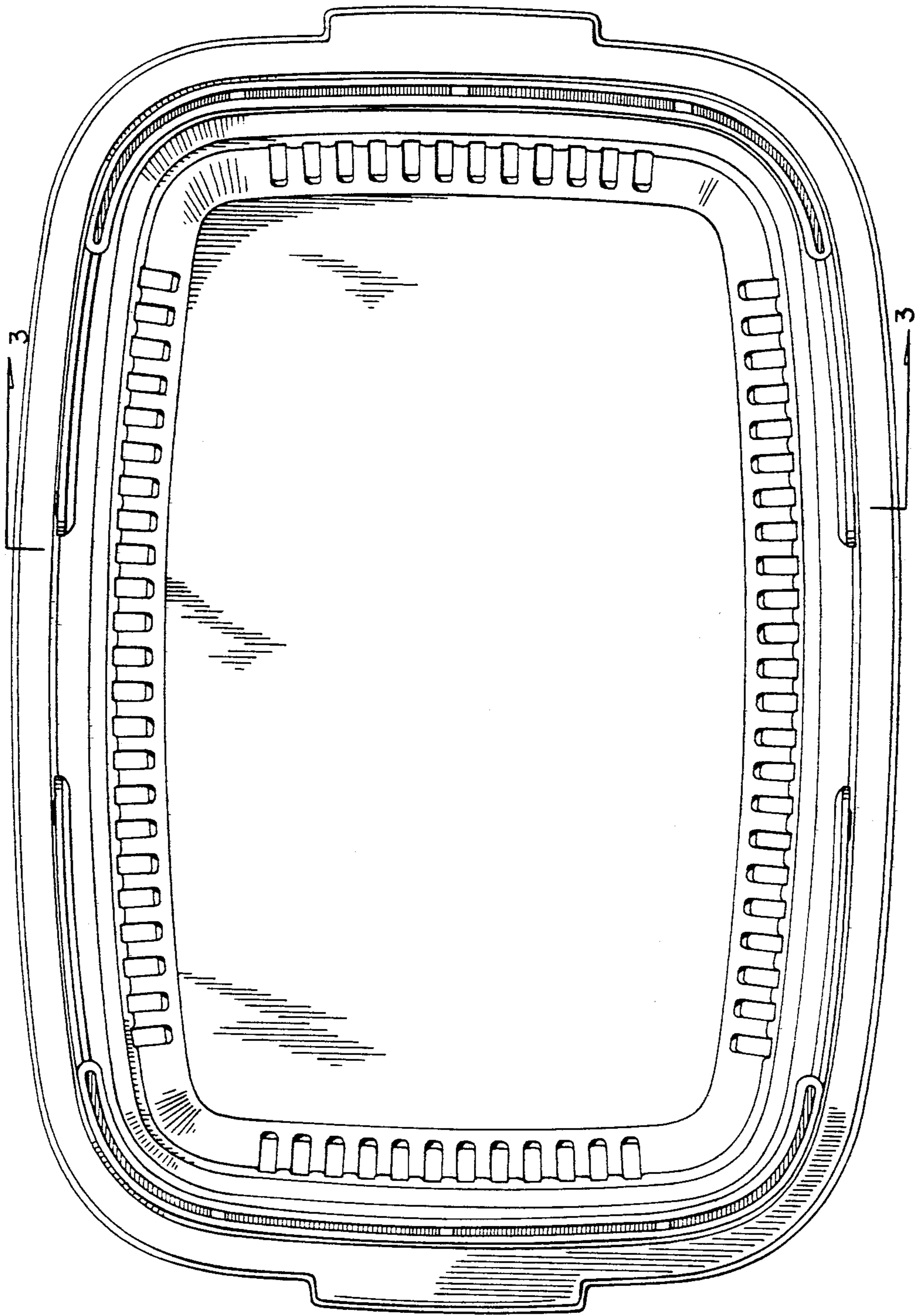


FIG. 2

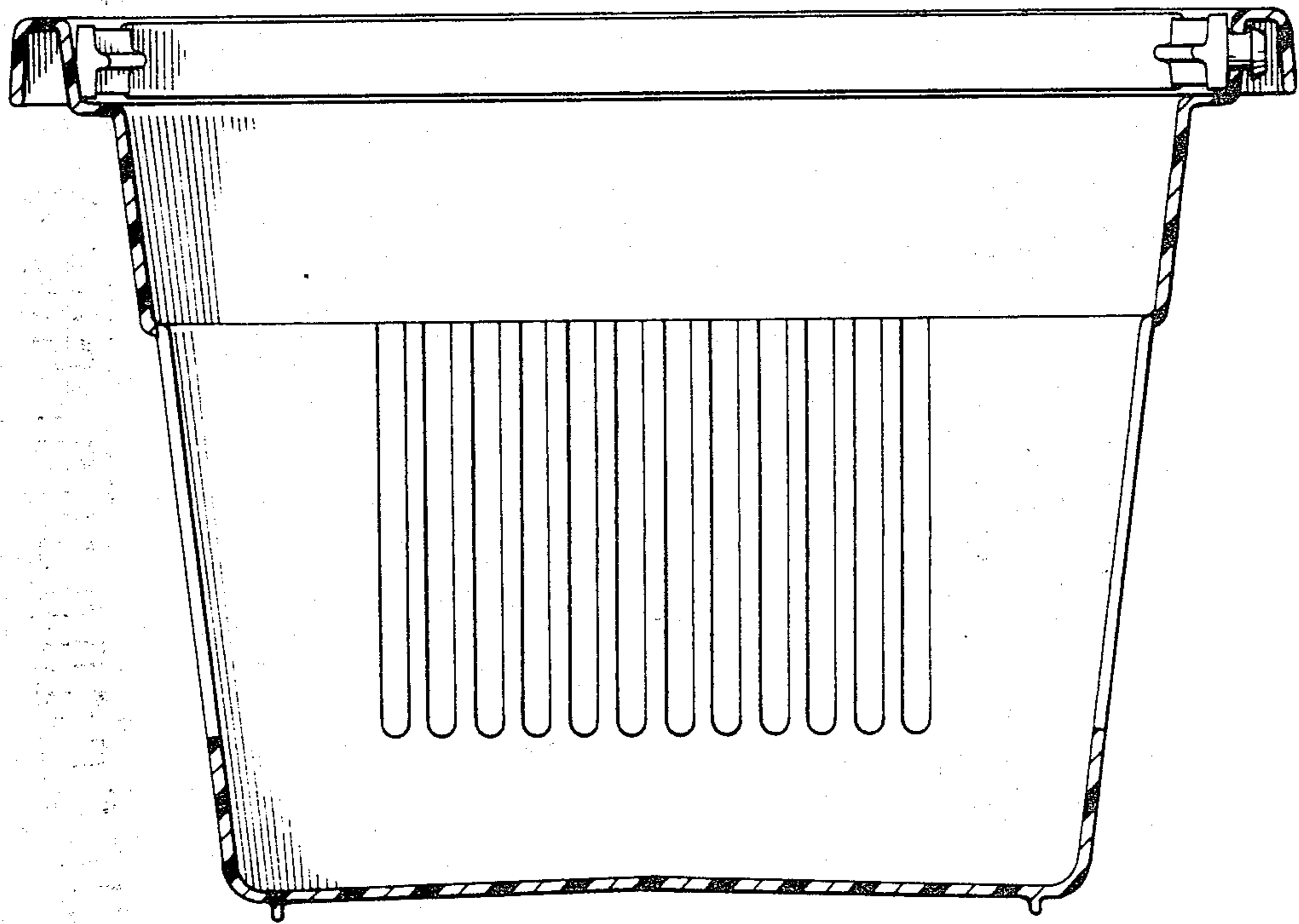


FIG. 3