

[54] **TRIGGER SPRAYER**  
 [76] **Inventor: Robert L. Bundschuh, Box 4415, Miami Lakes, Fla. 33014**  
 [\*\*] **Term: 14 Years**  
 [21] **Appl. No.: 417,362**  
 [22] **Filed: Sep. 13, 1982**  
 [52] **U.S. Cl. .... D23/17; D9/448**  
 [58] **Field of Search .... D23/17, 18; D9/300, D9/448; 222/148, 153, 206-215, 380-385; 239/333**

4,225,061 9/1980 Blake et al. .... 222/207  
 4,227,650 10/1980 McKinney .... 239/333  
 4,241,853 12/1980 Pauls et al. .... 222/383 X  
 4,249,681 2/1981 French .... 222/380  
 4,315,582 2/1982 Micallef .... 222/148  
 4,452,379 6/1984 Bundschuh .... 222/207

*Primary Examiner*—James R. Largen  
*Attorney, Agent, or Firm*—Roylance, Abrams, Berdo & Goodman

[57] **CLAIM**

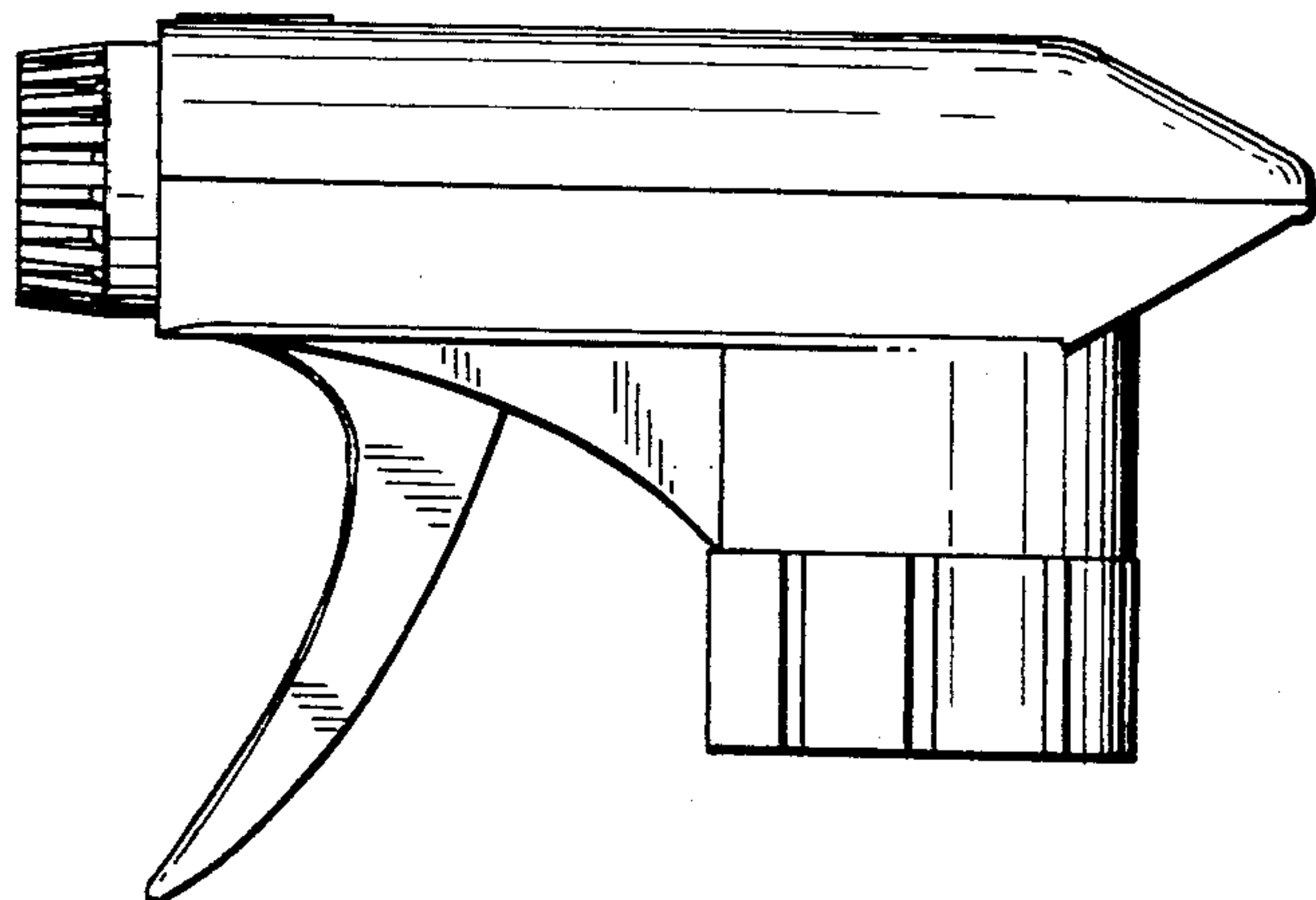
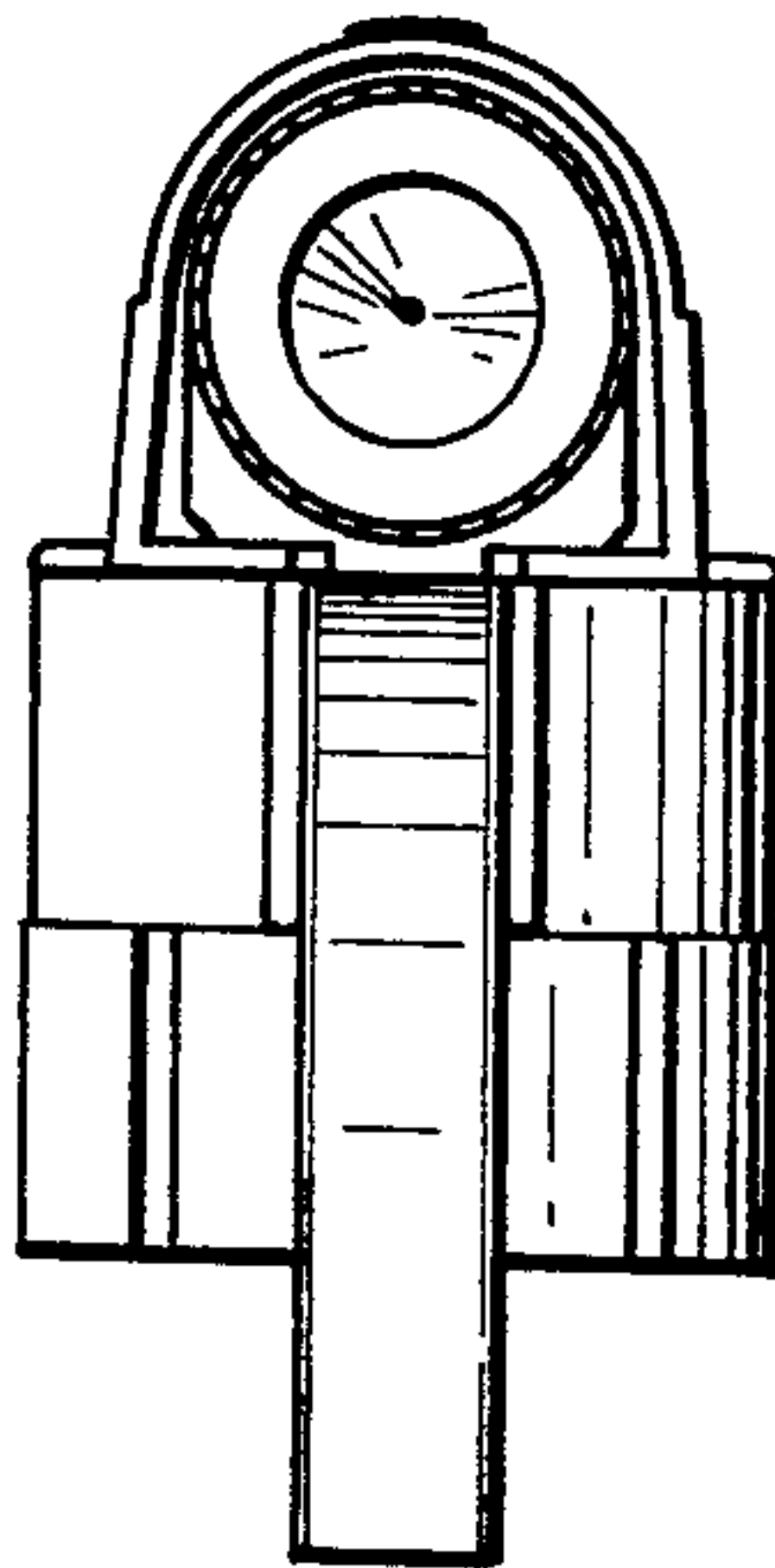
The ornamental design for a trigger sprayer, as shown and described.

[56] **References Cited**  
**U.S. PATENT DOCUMENTS**

D. 228,657	10/1973	Anderson	.....	D23/17
D. 243,180	1/1977	Federico et al.	.....	D23/17
D. 247,302	2/1978	Federico et al.	.....	D23/18
D. 247,366	2/1978	Jones et al.	.....	D23/17
D. 256,271	8/1980	Tada	.....	D23/17
D. 256,946	9/1980	Campbell	.....	D23/17
4,101,057	7/1978	LoMaglio	.....	222/207
4,155,487	5/1979	Blake	.....	222/207
4,159,067	6/1979	Akers	.....	222/153
4,161,288	7/1979	McKinney	.....	239/333
4,191,313	3/1980	Blake et al.	.....	222/383 X
4,199,083	4/1980	LoMaglio	.....	222/207
4,216,882	12/1980	Basile et al.	.....	222/207
4,222,501	9/1980	Hammett et al.	.....	222/207

**DESCRIPTION**

FIG. 1 is a front elevational view of a trigger sprayer showing my design;  
 FIG. 2 is a right side elevational view thereof, the left side being a mirror image of the right side shown;  
 FIG. 3 is a rear elevational view thereof;  
 FIG. 4 is a top plan view thereof;  
 FIG. 5 is a bottom plan view thereof;  
 FIG. 6 is a front elevational view of a modified form of the trigger sprayer shown in FIG. 1;  
 FIG. 7 is a right side elevational view of FIG. 6, the left side being a mirror image of the right side shown;  
 FIG. 8 is a rear elevational view of FIG. 6;  
 FIG. 9 is a top plan view of FIG. 6; and  
 FIG. 10 is a bottom plan view of FIG. 6.



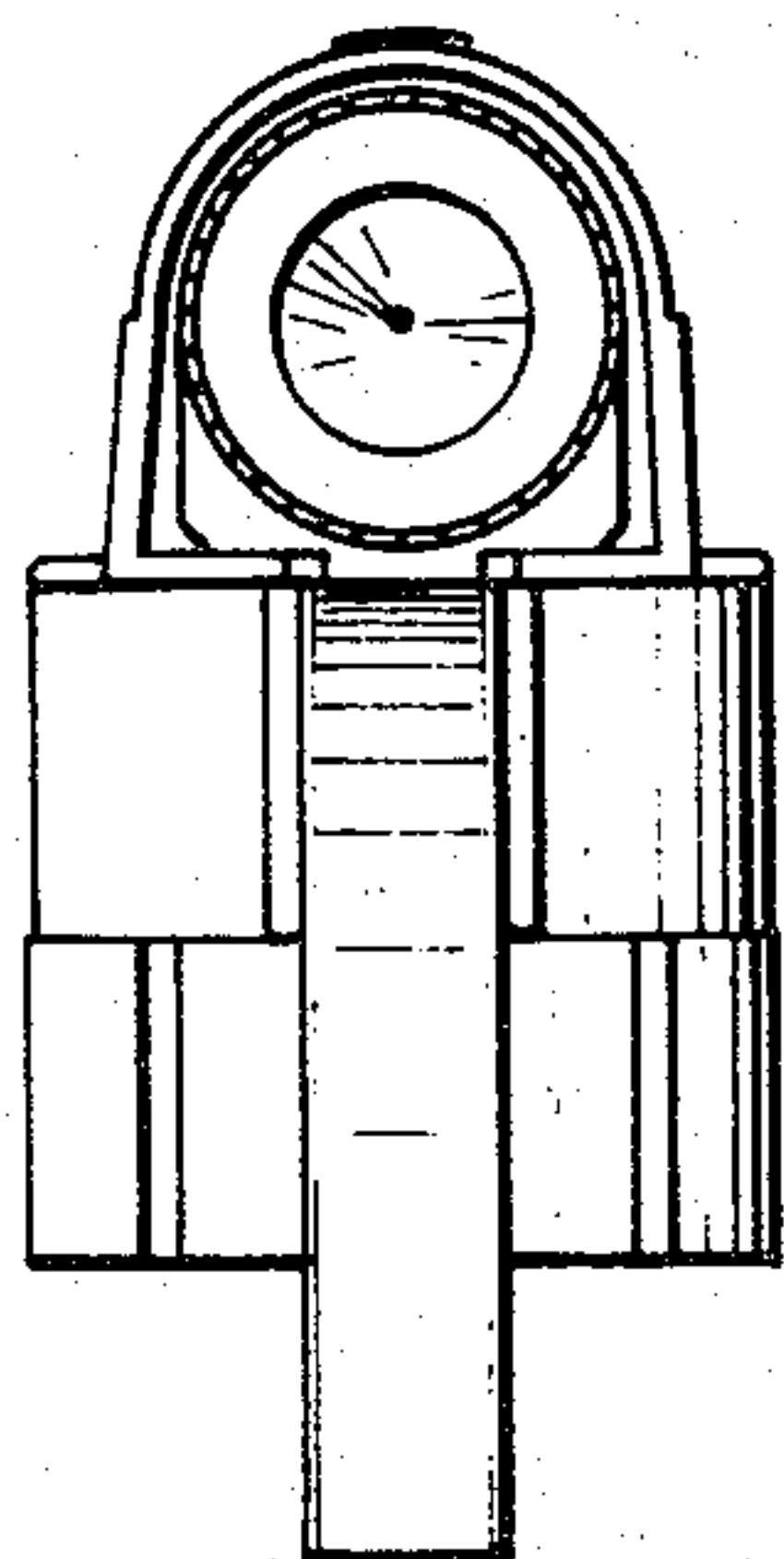


FIG. 1

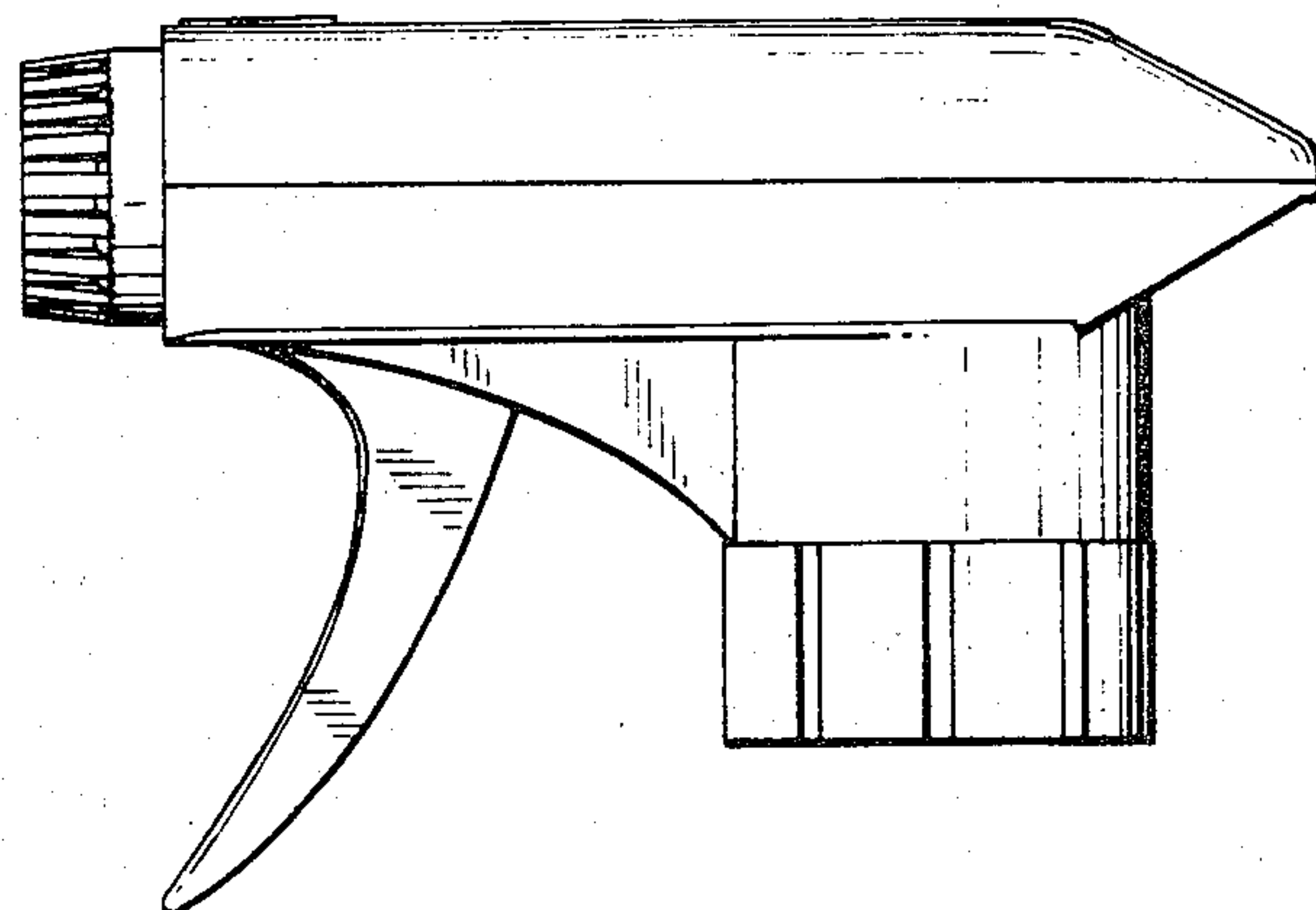


FIG. 2

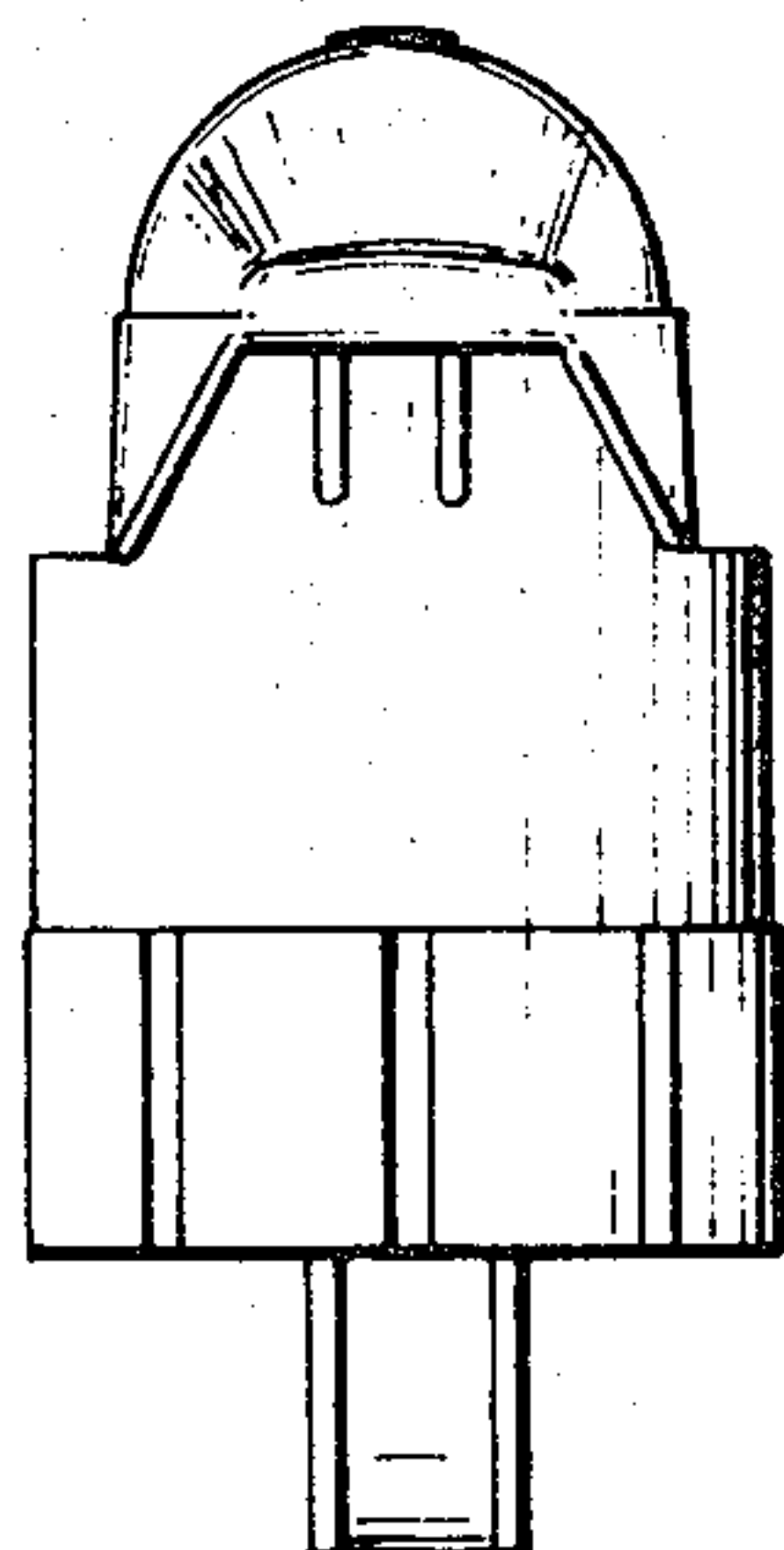


FIG. 3

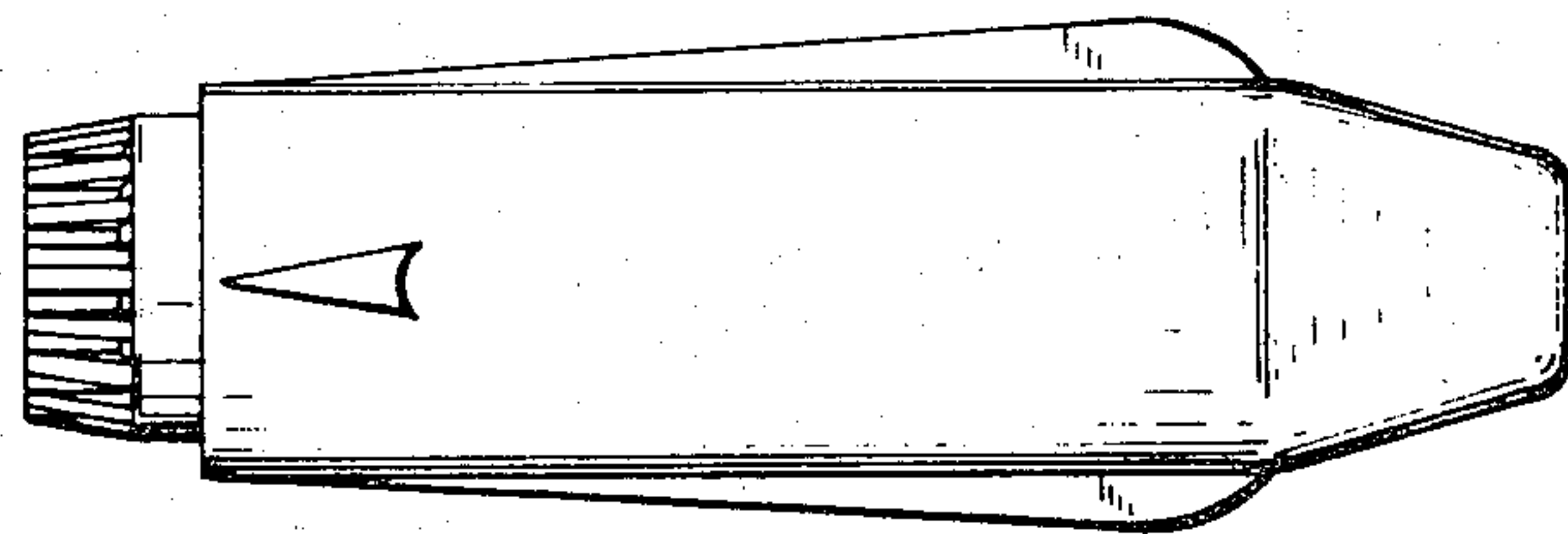


FIG. 4

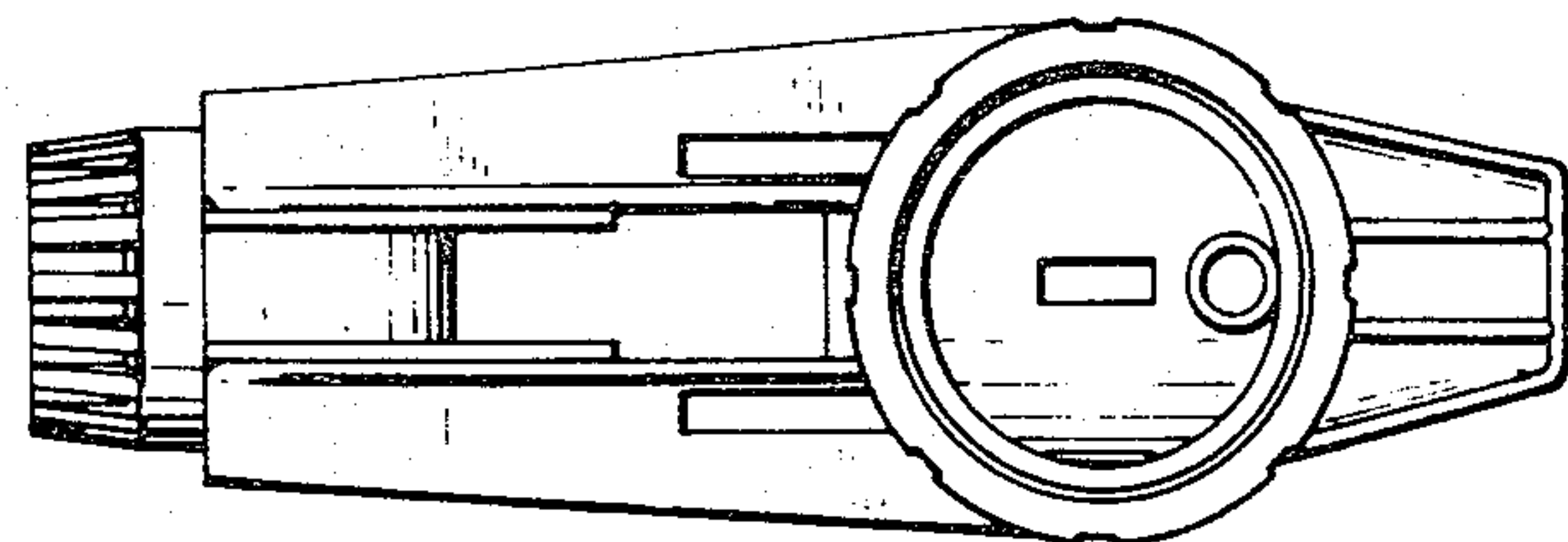


FIG. 5

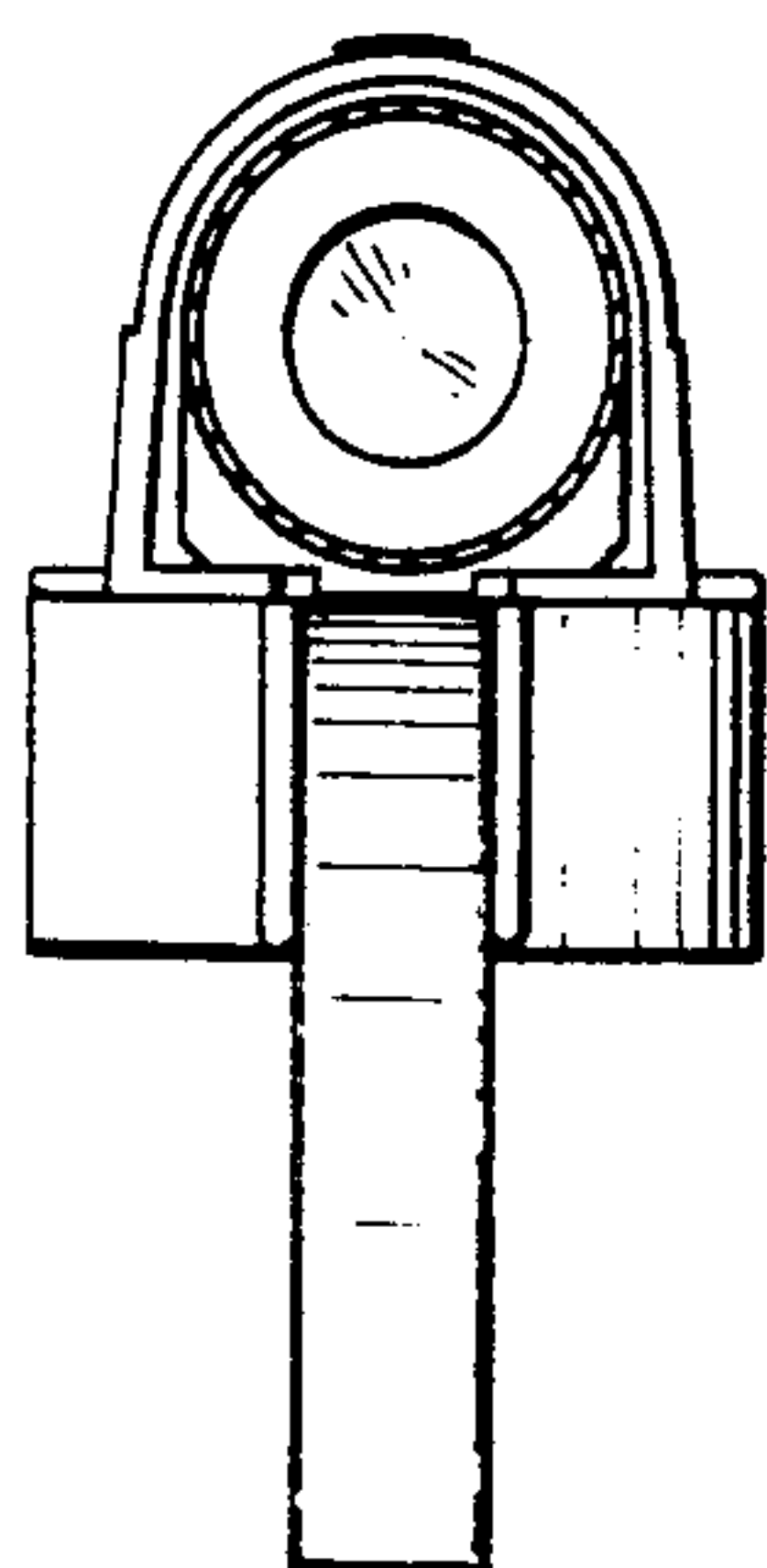


FIG. 6

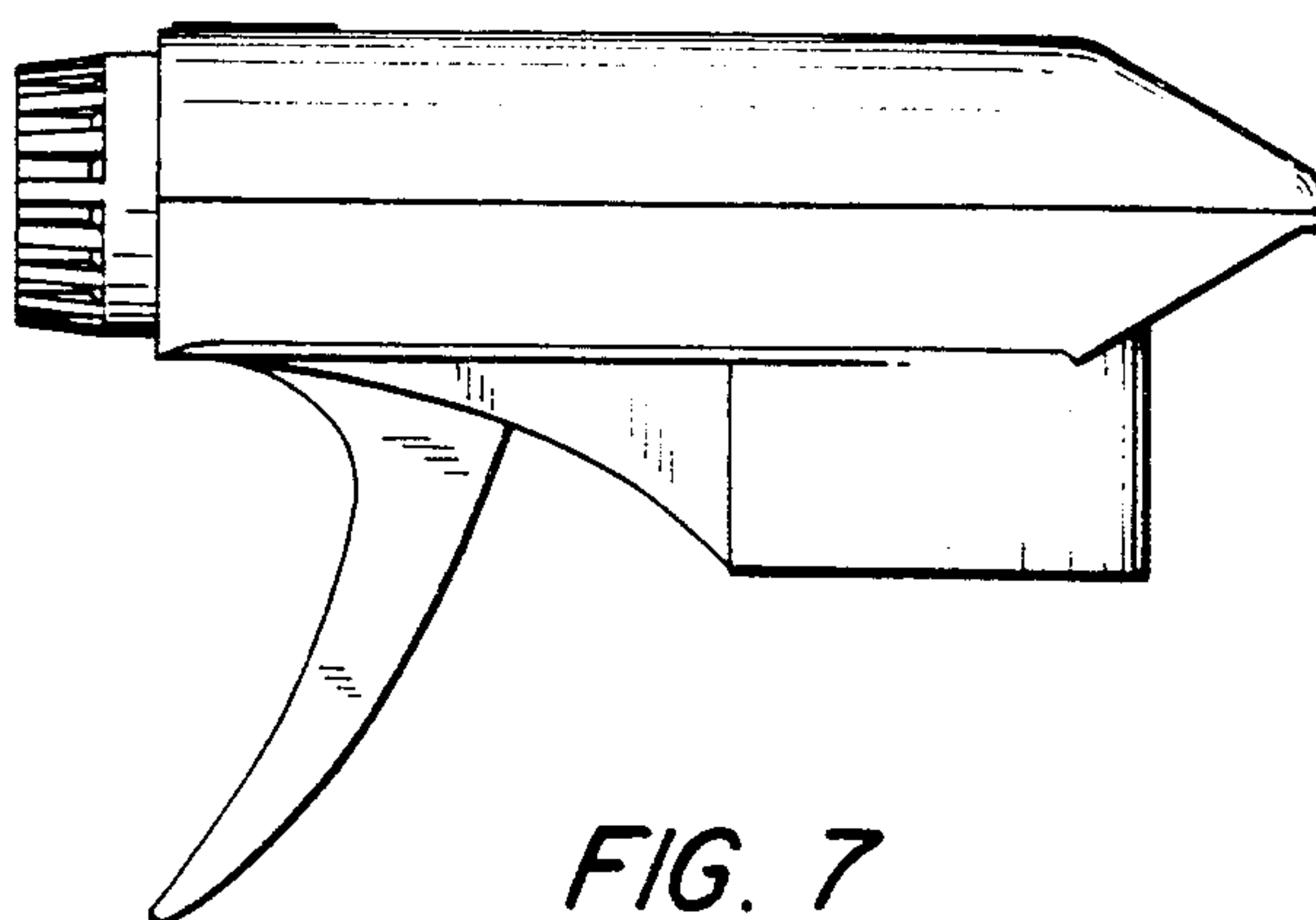


FIG. 7

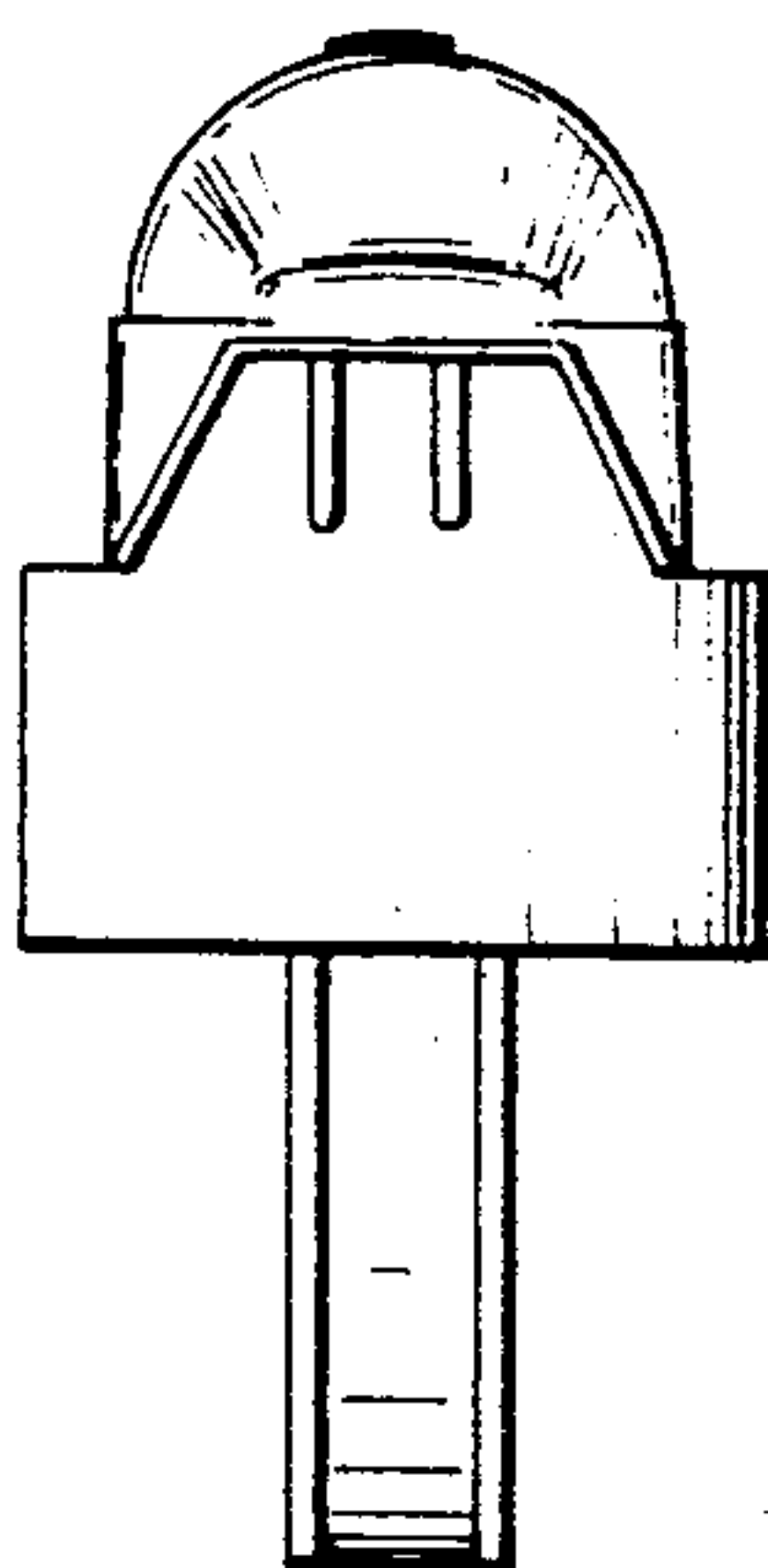


FIG. 8

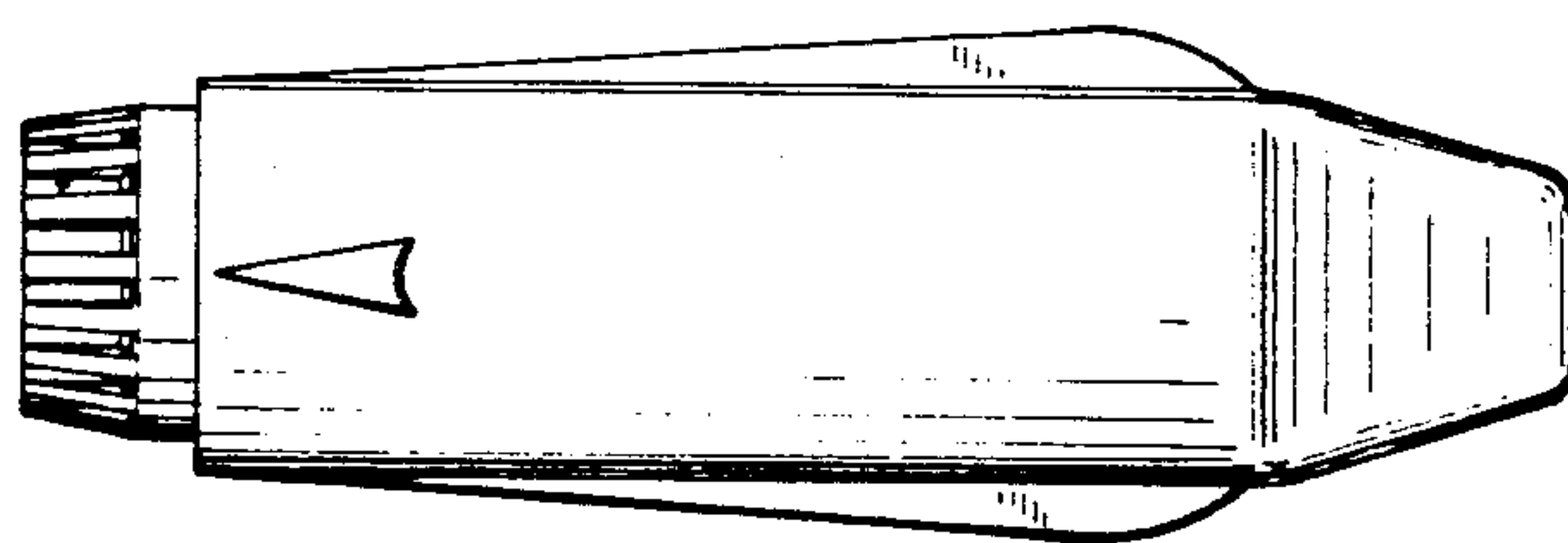


FIG. 9

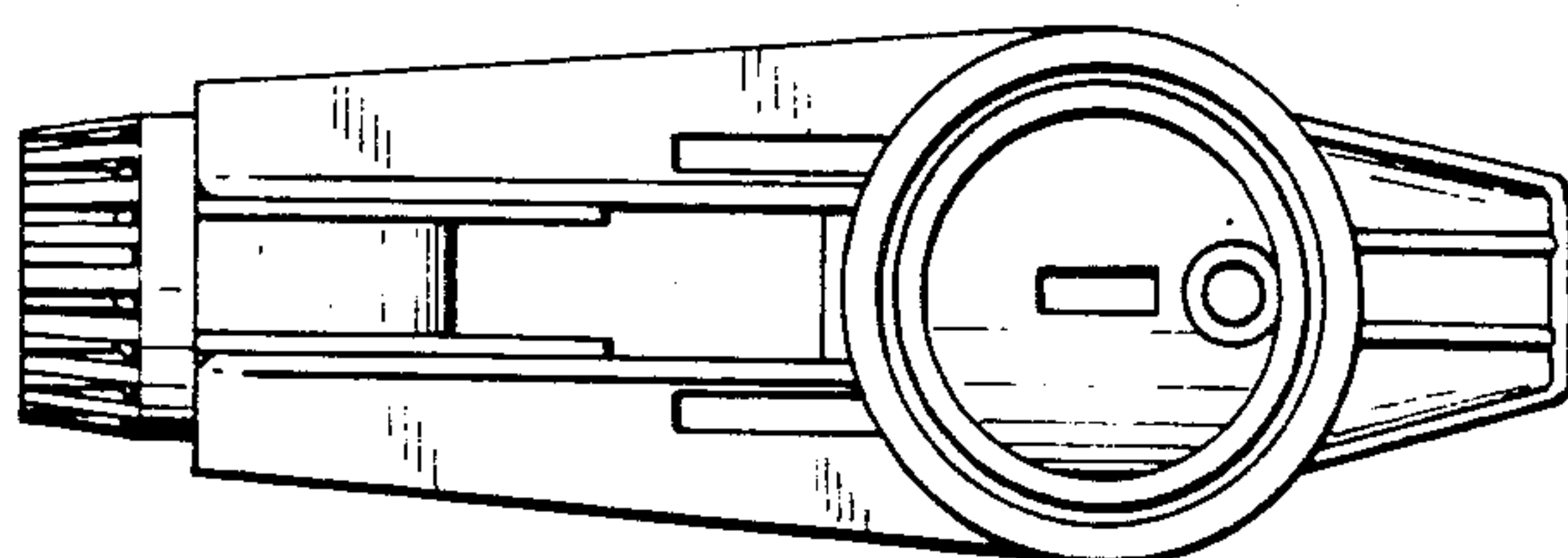


FIG. 10