

[54] **AUTONOMOUS DRONE MISSILE**

[75] Inventors: **Richard B. Holloway**, Wichita;  
**Merlin L. Millett, Jr.**, Sedgwick,  
both of Kans.

[73] Assignee: **The Boeing Company**, Seattle, Wash.

[\*\*] Term: **14 Years**

[21] Appl. No.: **343,566**

[22] Filed: **Jan. 28, 1982**

[52] U.S. Cl. .... **D22/11**

[58] Field of Search ..... **D22/11, 17; D12/333,**  
**D12/319, 320, 331, 332; 244/75 R**

D. 228,688 10/1973 Dryden ..... D22/11 X  
D. 235,769 7/1975 Sather ..... D22/11  
3,761,041 9/1973 Putnam ..... 244/75 R X

**OTHER PUBLICATIONS**

Interavia 2/1980, p. 123, OMAC 1 Aircraft in Photos at top and middle of page.

*Primary Examiner*—Alan P. Douglas  
*Attorney, Agent, or Firm*—Edwin H. Crabtree

[57] **CLAIM**

The original design for an autonomous drone missile, as shown and described.

**DESCRIPTION**

FIG. 1 is a perspective view of an autonomous drone missile;

FIG. 2 is a side view of the missile;

FIG. 3 is a top view of the missile;

FIG. 4 is a bottom view of the missile;

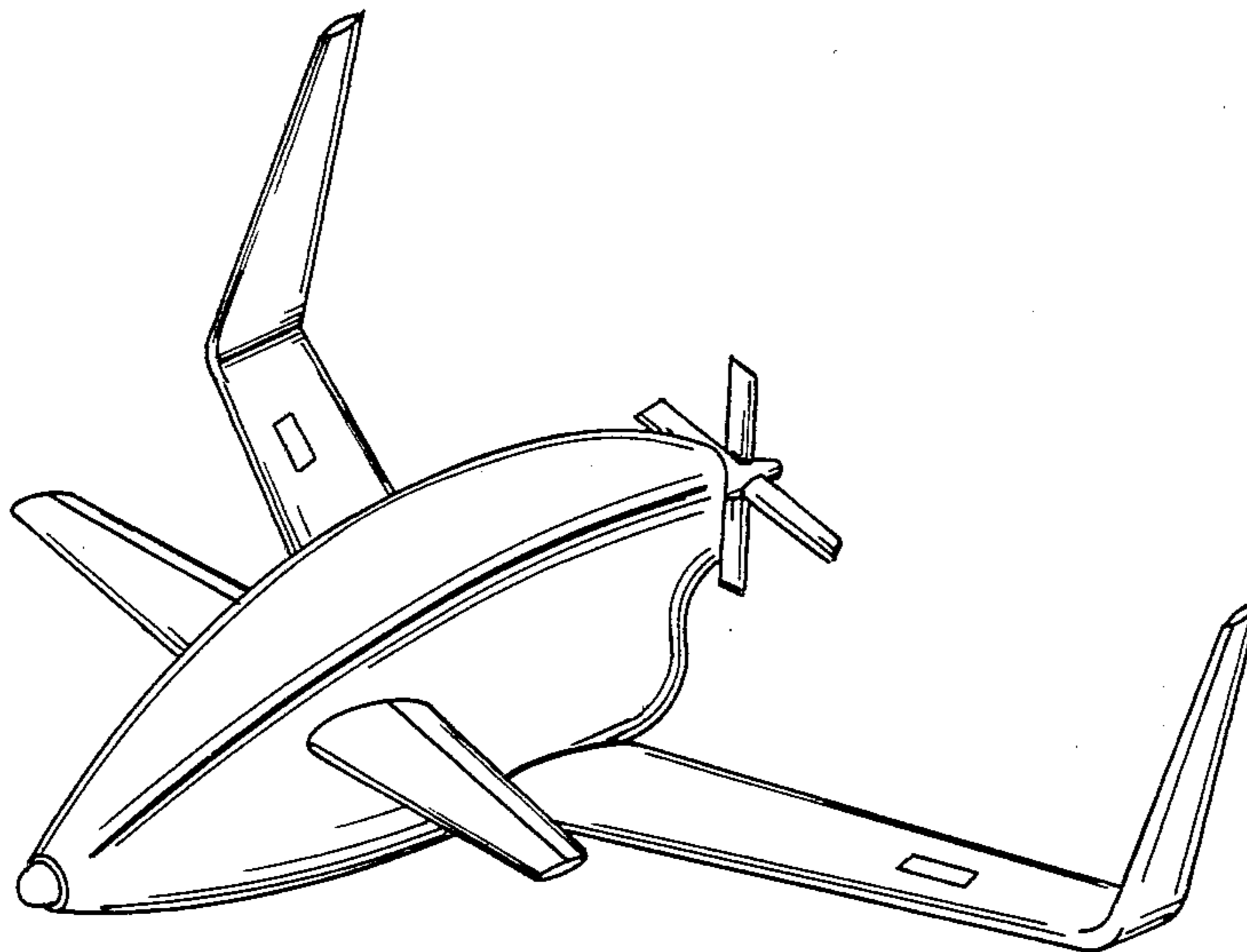
FIG. 5 is a front view of the missile;

FIG. 6 is a rear view of the missile.

[56] **References Cited**

**U.S. PATENT DOCUMENTS**

D. 180,890 9/1957 Boyd ..... D22/11  
D. 200,368 2/1965 Cohen et al. .... D12/333  
D. 203,902 2/1966 Raymes ..... D12/333  
D. 213,146 1/1969 Barnett et al. .... D12/320 X



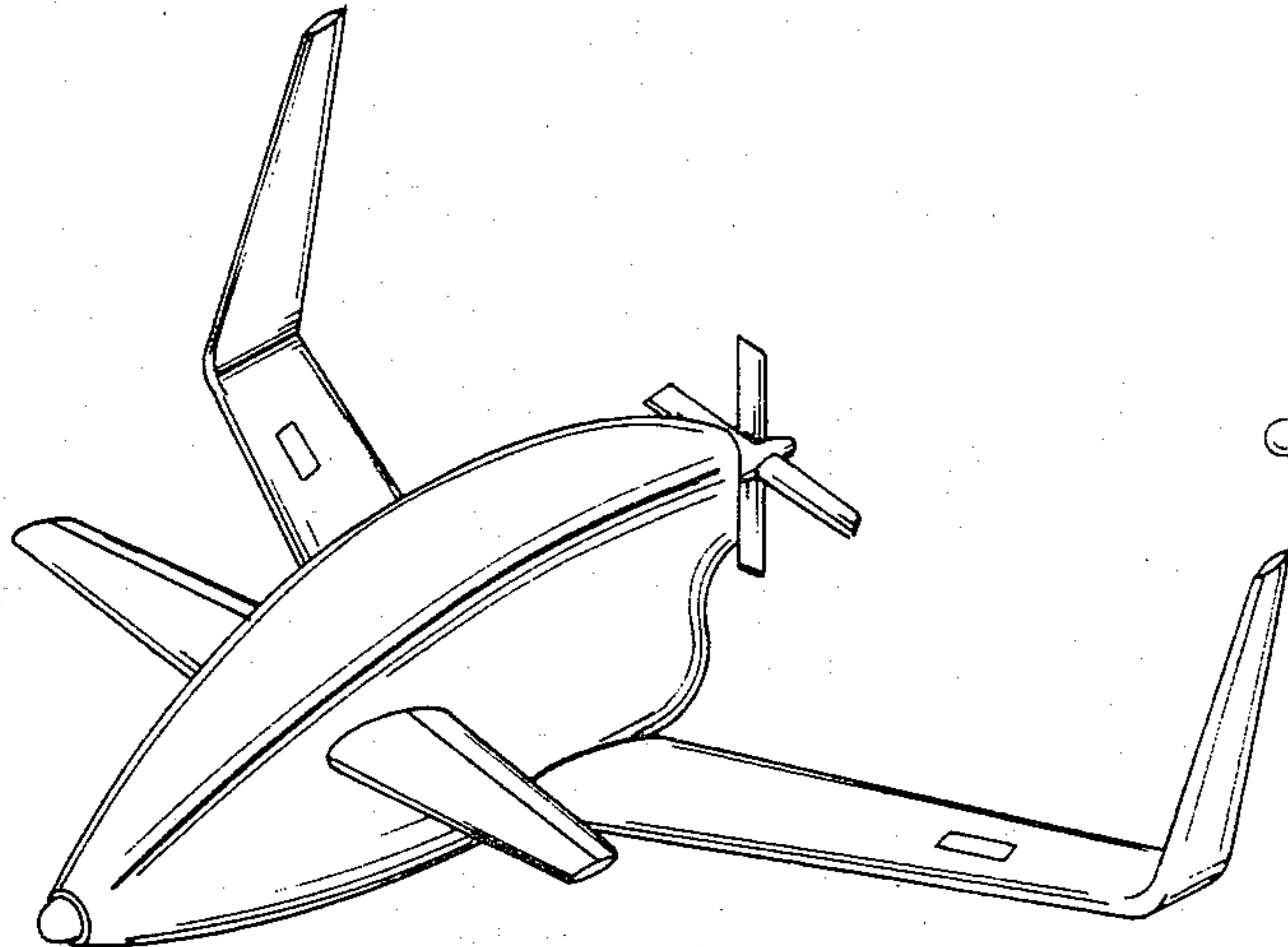


FIG. 1

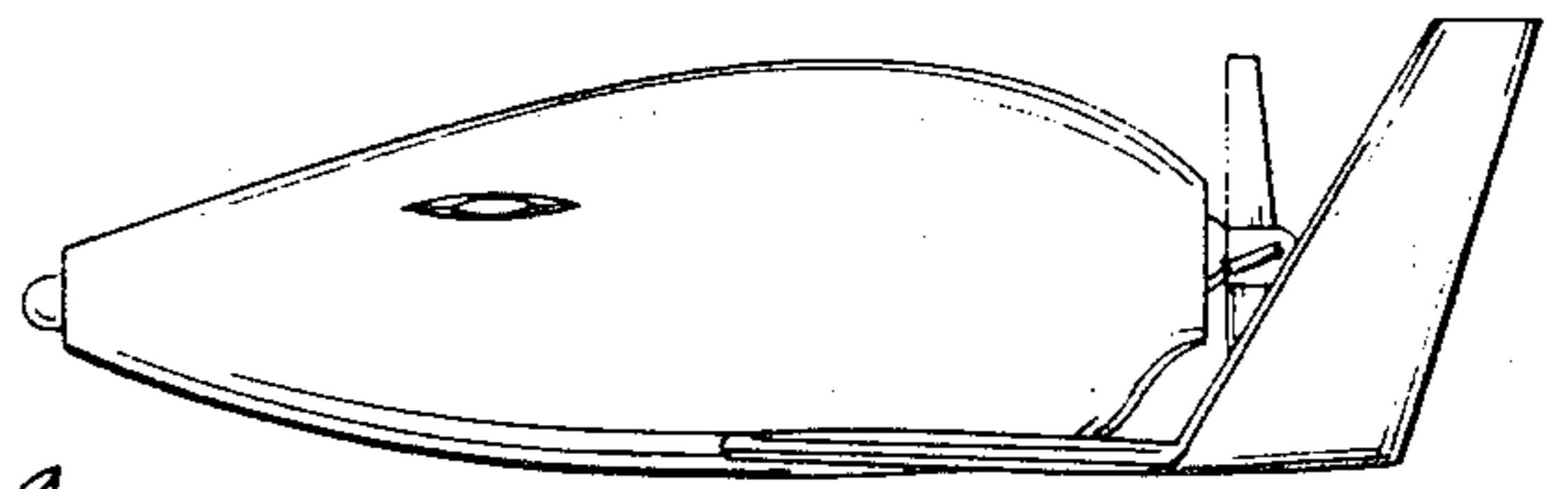


FIG. 2

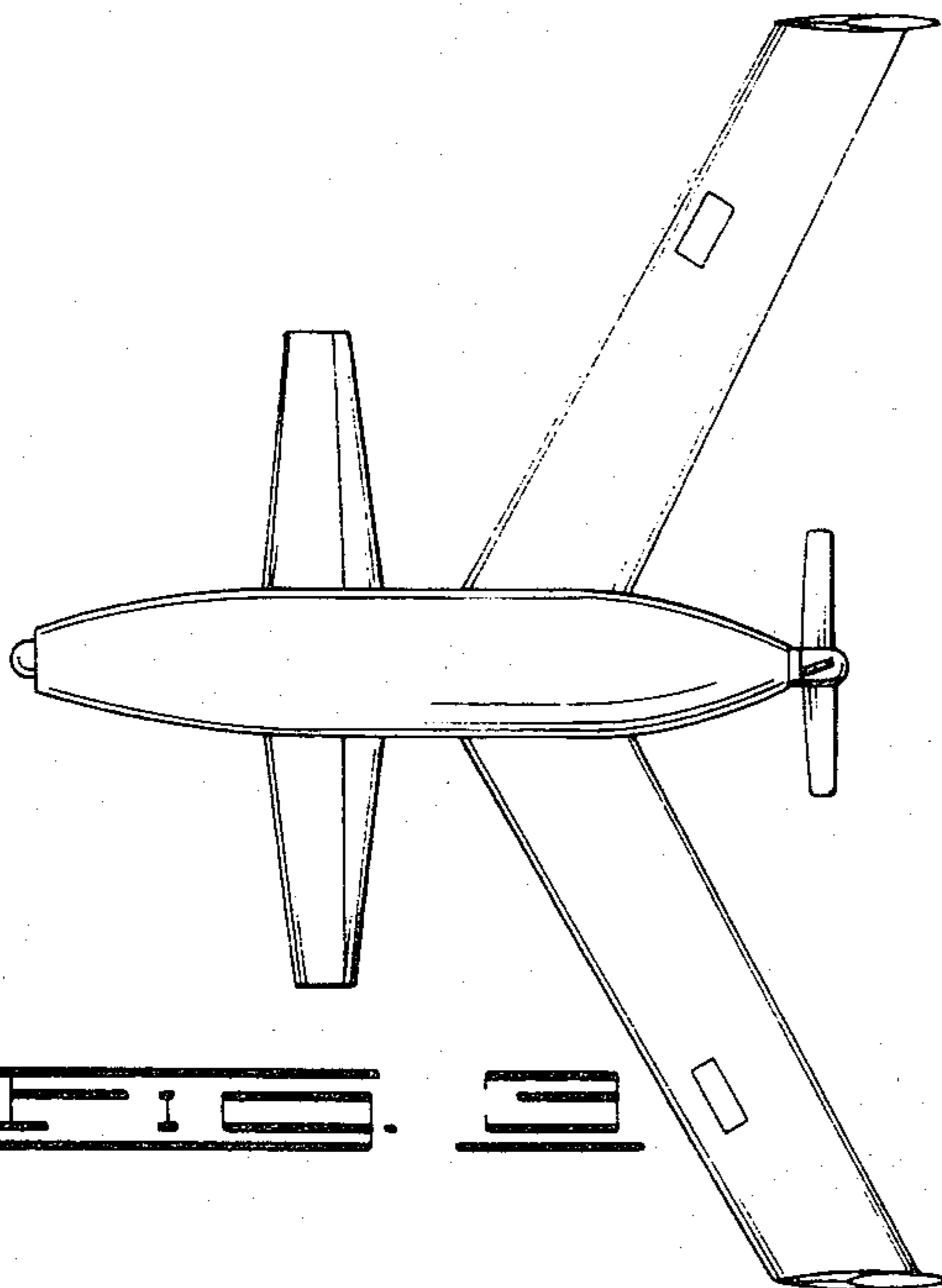


FIG. 3

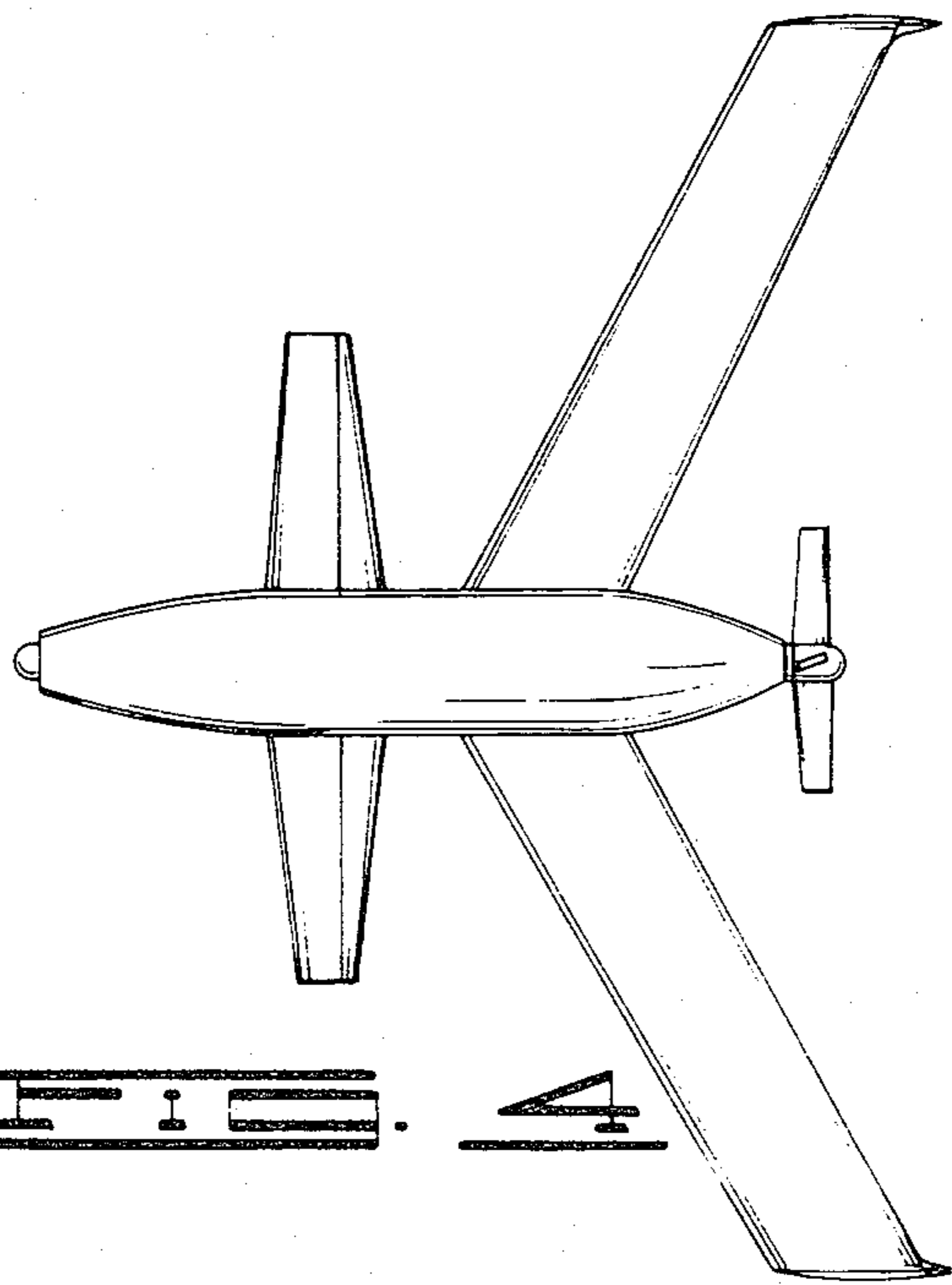


FIG. 4

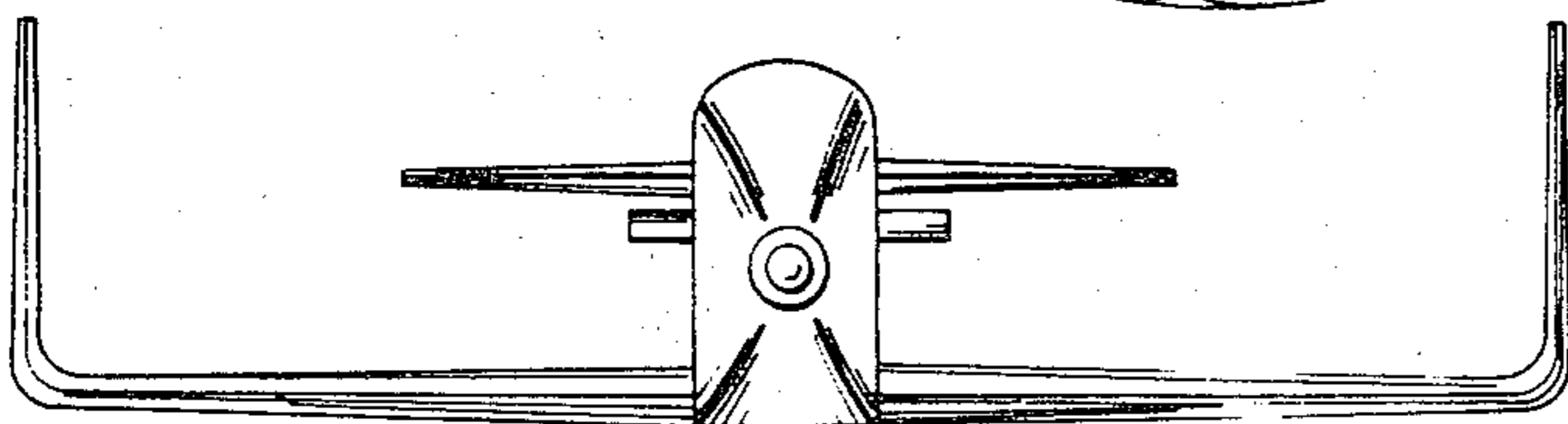


FIG. 5

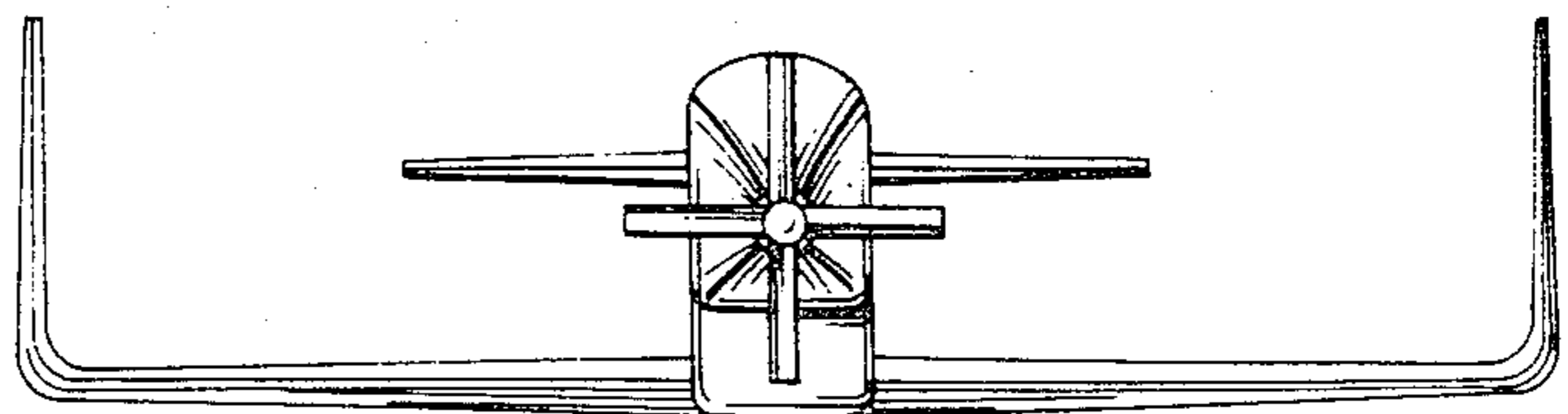


FIG. 6