

[54] **WATER TOY**

- [75] Inventor: **Anthony DeGregorio**, Brooklyn, N.Y.
[73] Assignee: **Preferred Services, Ltd.**, New York, N.Y.
[**] Term: **14 Years**
[21] Appl. No.: **407,091**
[22] Filed: **Jul. 21, 1982**
[52] U.S. Cl. **D21/59; D21/237**
[58] Field of Search **D21/59, 240, 236, 237; 446/220, 221, 222, 224**

[56] **References Cited**

U.S. PATENT DOCUMENTS

D. 141,677	6/1945	Davidson	D21/59
D. 167,078	6/1952	Harrowe	D21/237
D. 224,127	7/1972	Frank	D21/237 X
3,019,457	2/1962	Lowery	D21/236 X

OTHER PUBLICATIONS

The Children's Design Center, p. 11, The Bentley Swim Belt Pictures 7 and 8.
Bowling Supplies Catalog, 1940, p. 4, Bowling Pins.
Primary Examiner—Bernard Ansher
Assistant Examiner—Linda M. Titolo
Attorney, Agent, or Firm—McAulay, Fields, Fisher, Goldstein & Nissen

[57] **CLAIM**

The ornamental design for a water toy, as shown and described.

DESCRIPTION

FIG. 1 is a top plan view of a water toy showing my new design;
FIG. 2 is a front elevation view thereof, the rear elevation view being a mirror image thereof;
FIG. 3 is a bottom plan view thereof; and
FIG. 4 is a right side elevation view thereof, the left side elevation view being a mirror image thereof.

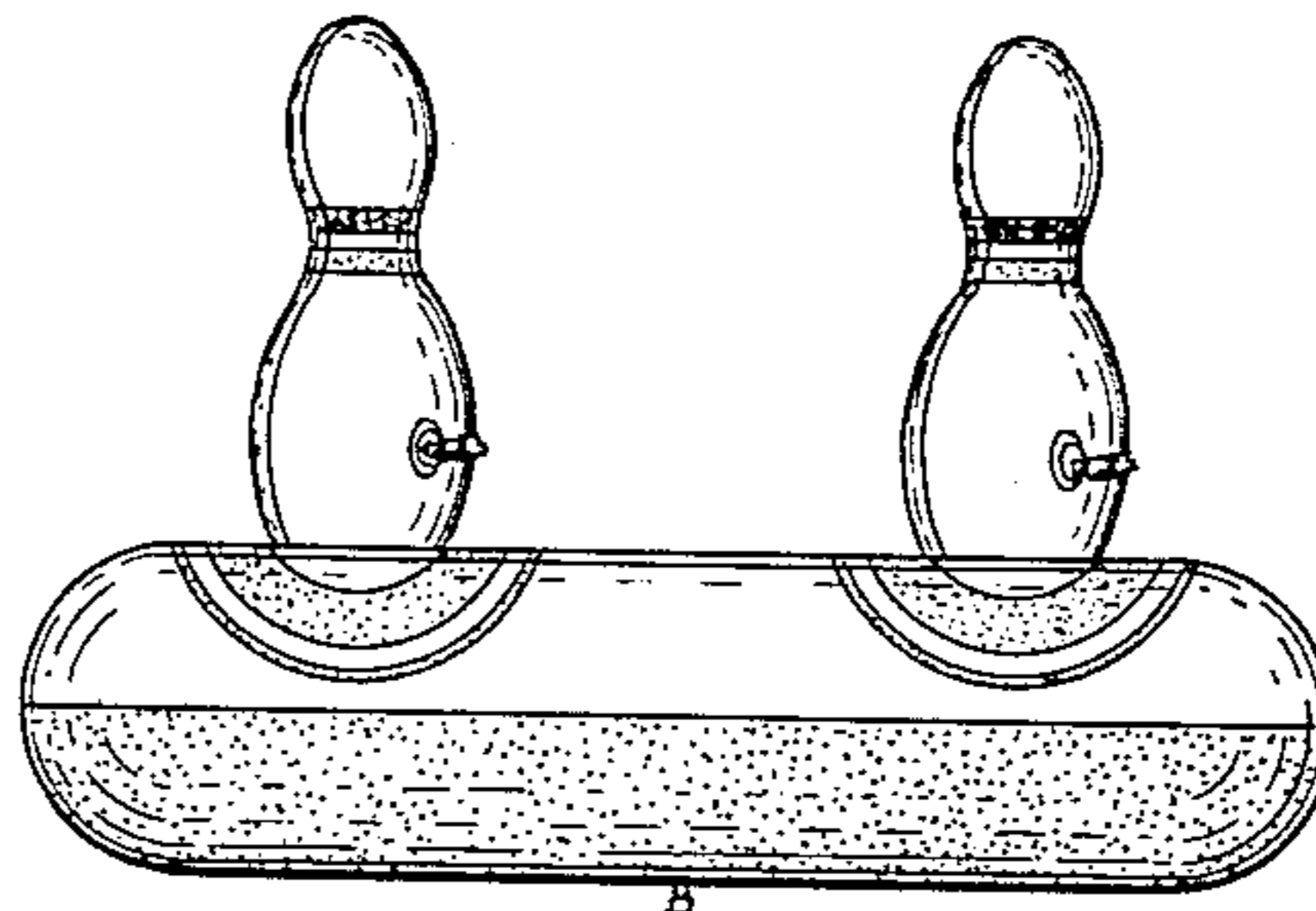
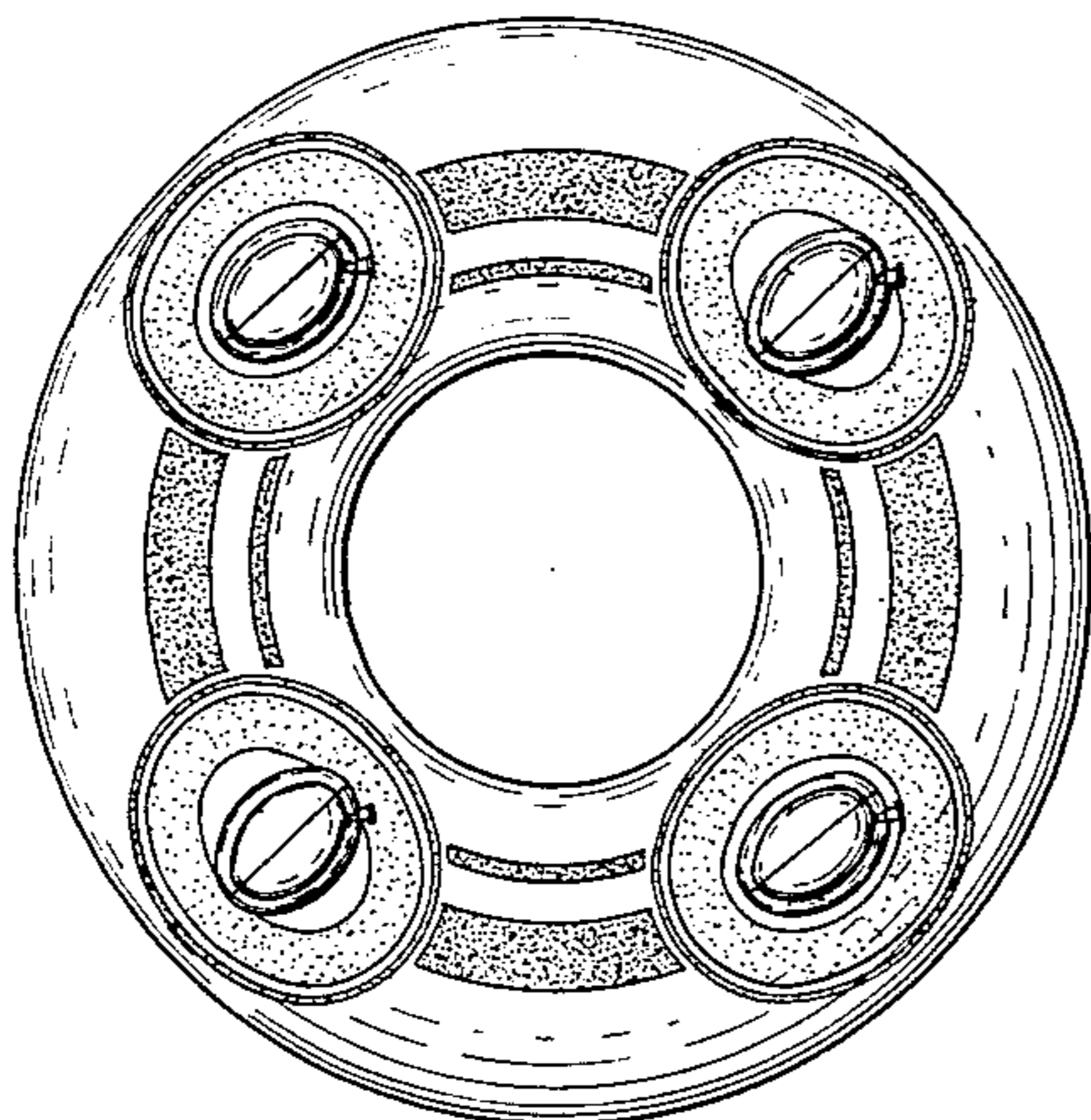


FIG. 1.

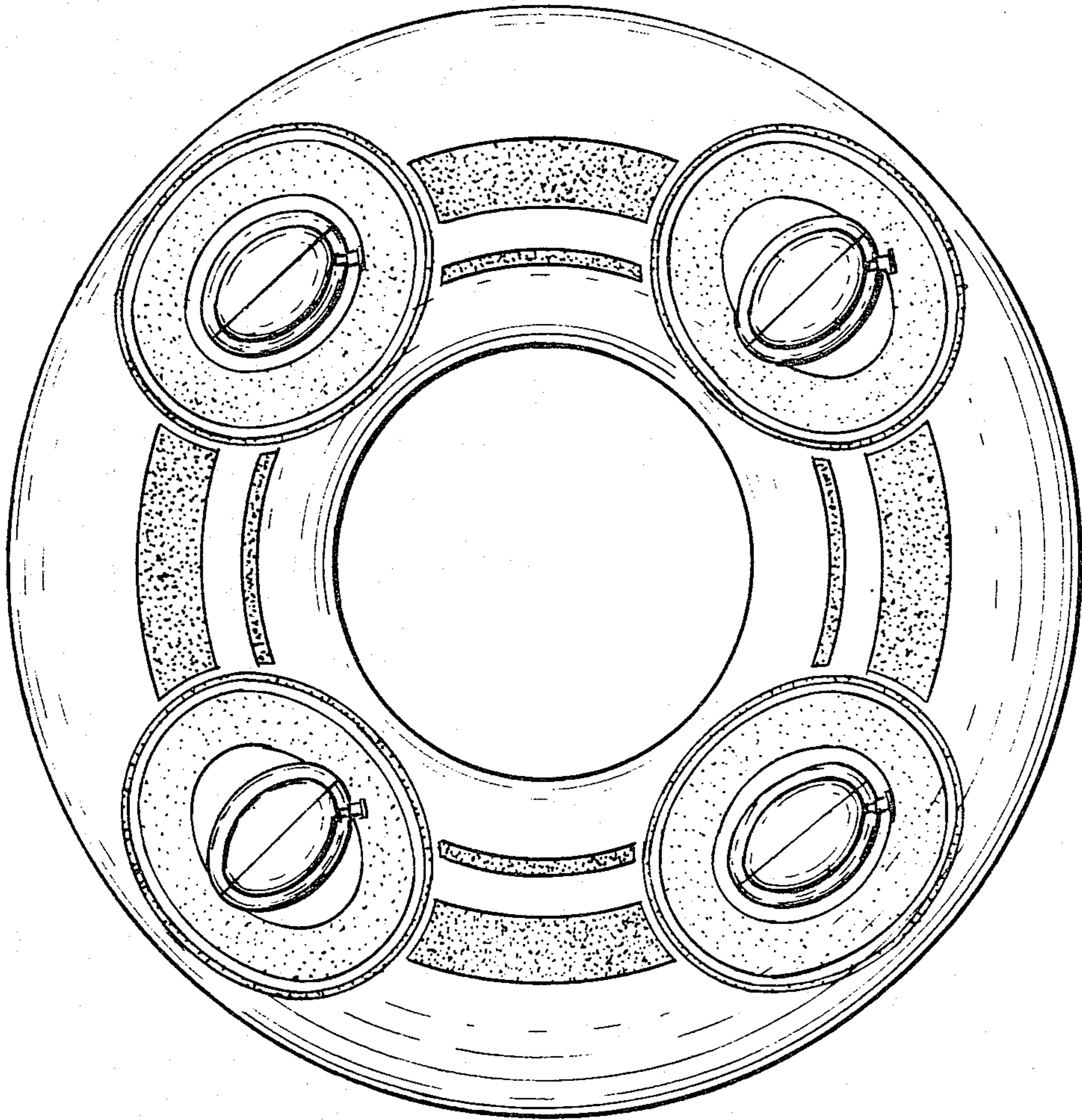


FIG. 2.

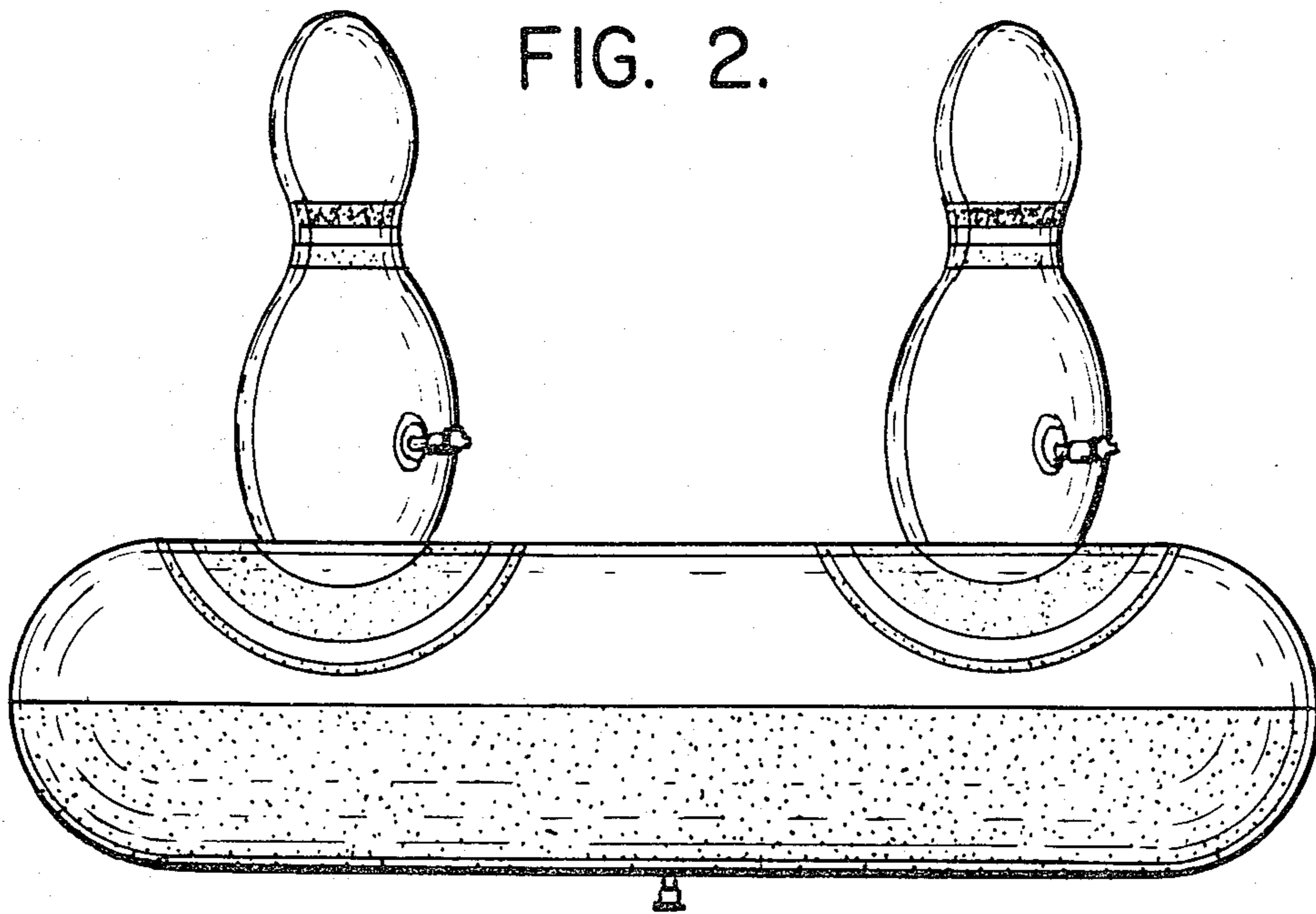


FIG. 3.

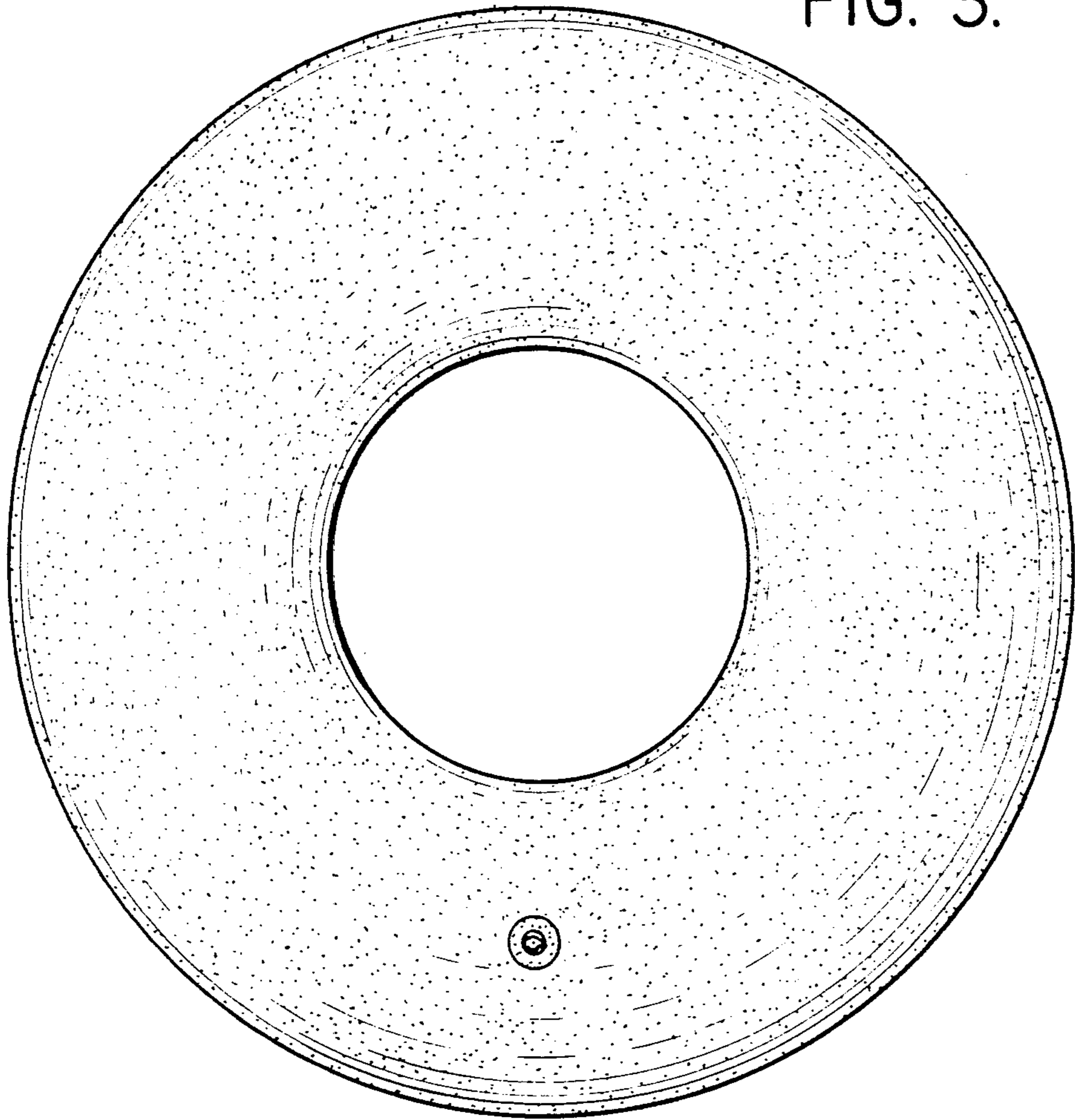


FIG. 4.

