

[54] CLARINET LIGATURE

[76] Inventor: G. James Gholson, Jr., 1311 Parkland Dr., Memphis, Tenn. 38111

[**] Term: 14 Years

[21] Appl. No.: 422,445

[22] Filed: Sep. 23, 1982

[52] U.S. Cl. D17/13; 84/383 R

[58] Field of Search D17/13; 84/383 R

[56] References Cited

U.S. PATENT DOCUMENTS

D. 262,035	11/1981	Wittman	D17/10
D. 264,223	5/1982	Lawson	D17/10
1,583,337	5/1926	Chiron	84/383
2,181,880	12/1939	Fauss	84/383
3,433,113	3/1969	Portnoy	D17/13 X

OTHER PUBLICATIONS

Targ & Dinner Catalog, 1970, p. 189, P&M Pressure Plate Ligatures.

Primary Examiner—Bernard Ansher

Assistant Examiner—Terry Pfeffer

Attorney, Agent, or Firm—Walker & McKenzie

[57] CLAIM

The ornamental design for a clarinet ligature, substantially as shown and described.

DESCRIPTION

FIG. 1 is a top plan view of a first embodiment the clarinet ligature, showing my new design.
 FIG. 2 is a front elevational view thereof, the rear being substantially identical thereto.
 FIG. 3 is a sectional view as taken on line III—III of FIG. 2 to more clearly show the design.
 FIG. 4 is a bottom plan view thereof.
 FIG. 5 is a left end elevational view thereof.
 FIG. 6 is a right end elevational view thereof.
 FIG. 7 is a top plan view of a second embodiment of the clarinet ligature, showing my new design.
 FIG. 8 is a front elevational view thereof the rear being substantially identical thereto.
 FIG. 9 is a sectional view as taken on line IX—IX of FIG. 8 to more clearly show the design.
 FIG. 10 is a bottom plan view thereof.
 FIG. 11 is a left end elevational view thereof.
 FIG. 12 is a right end elevational view thereof.

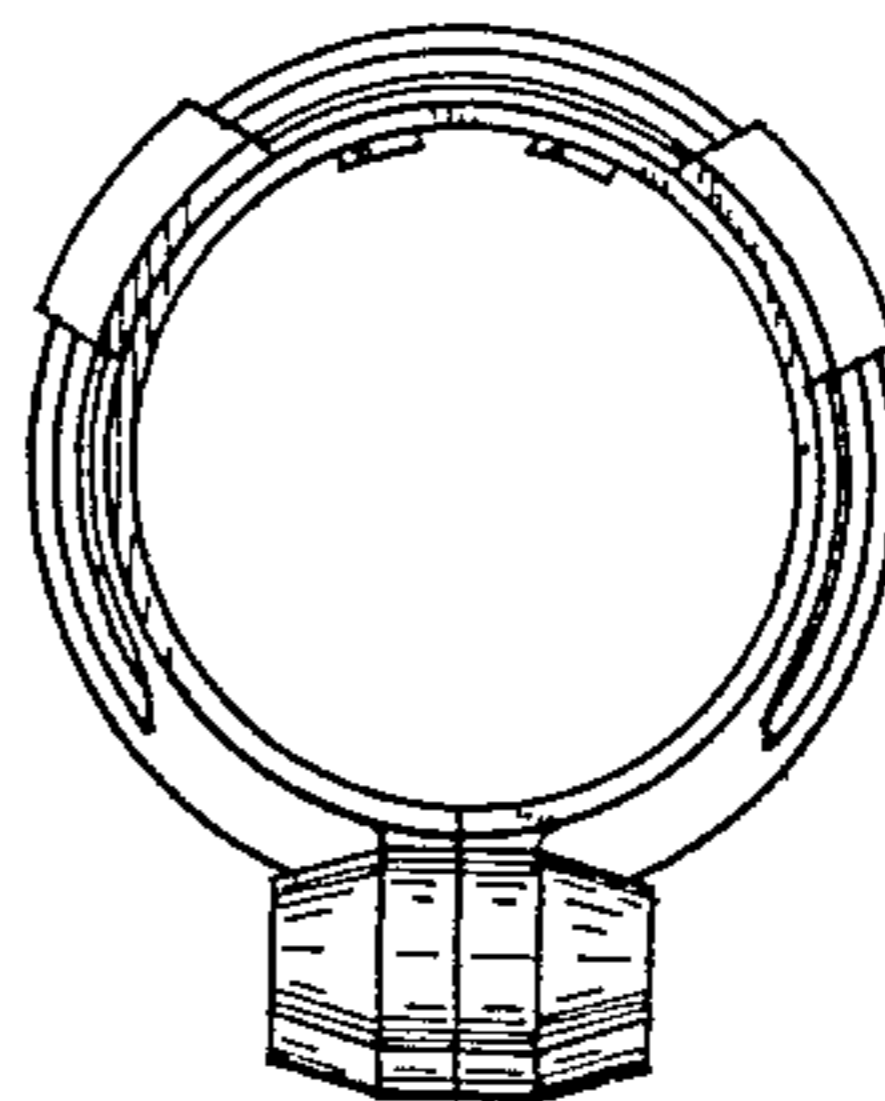
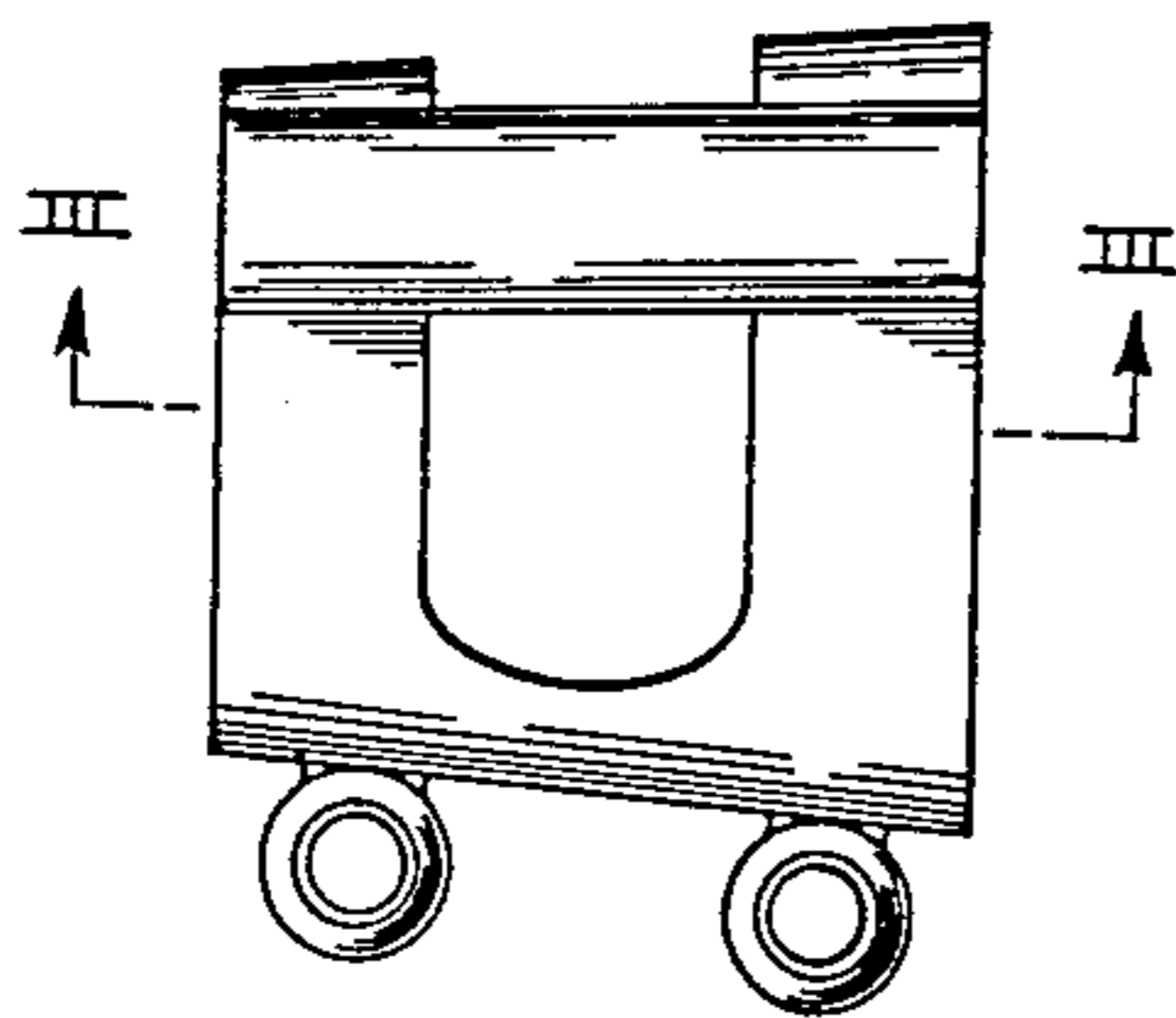


FIG. 1

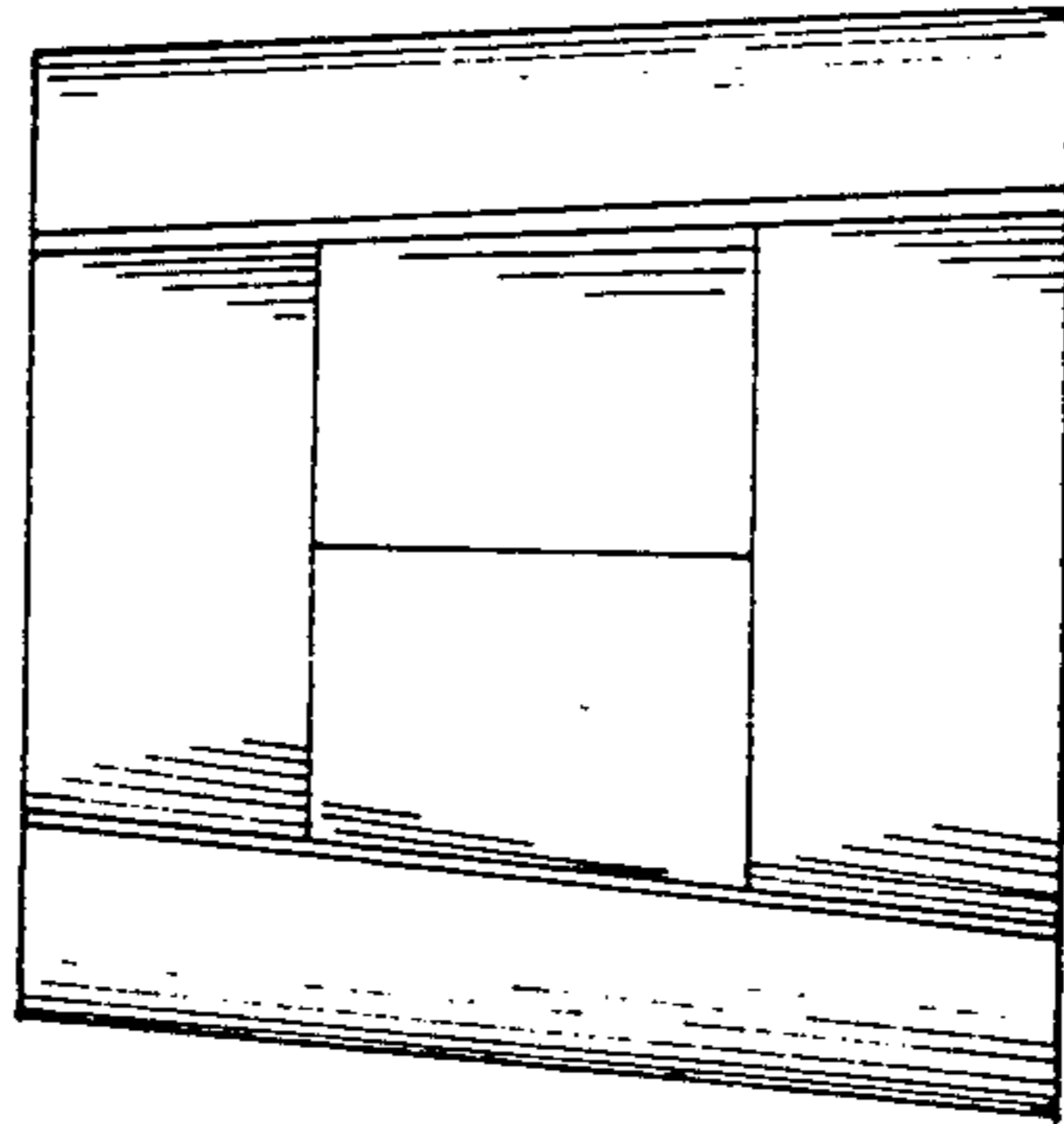


FIG. 2

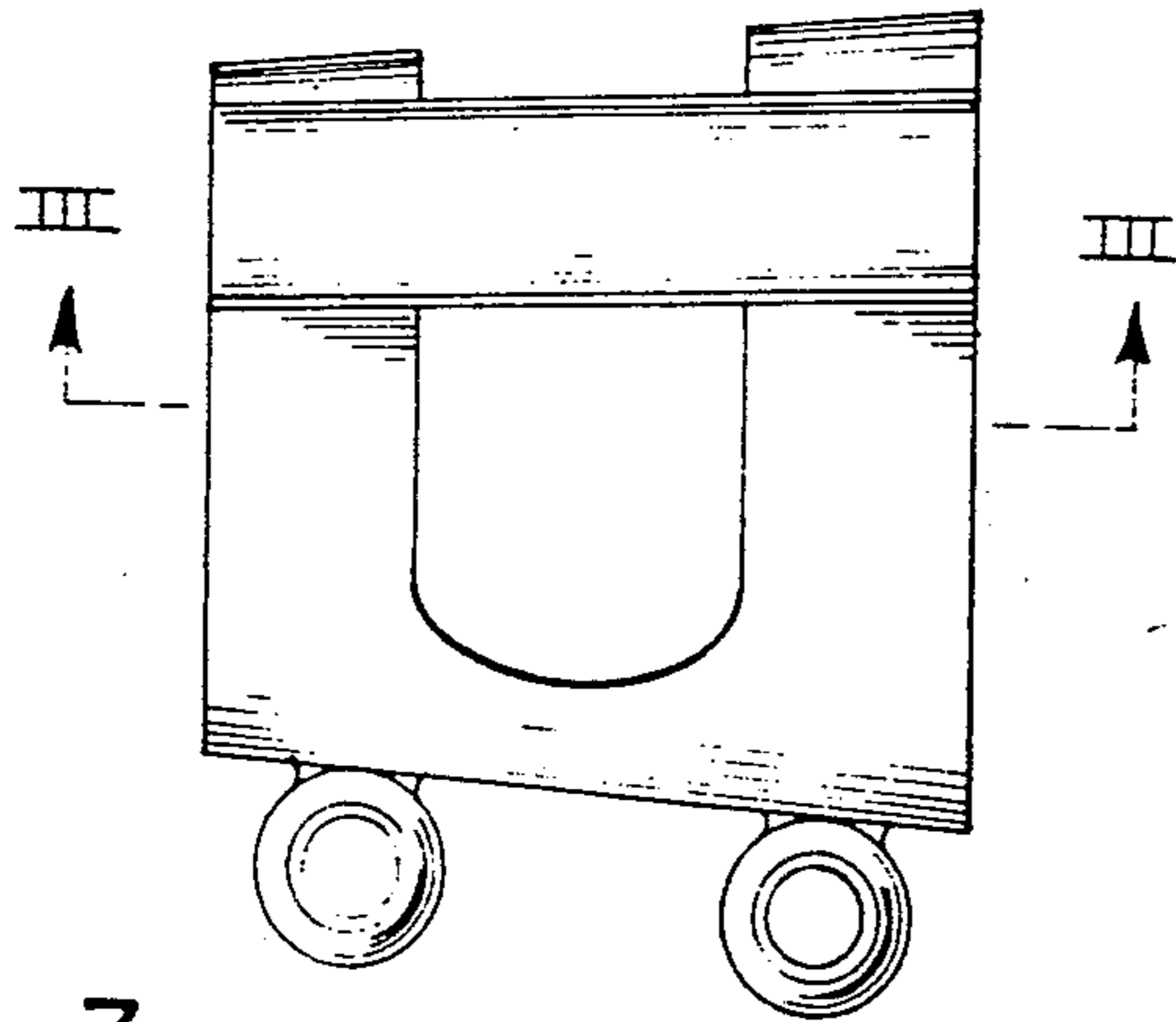


FIG. 3

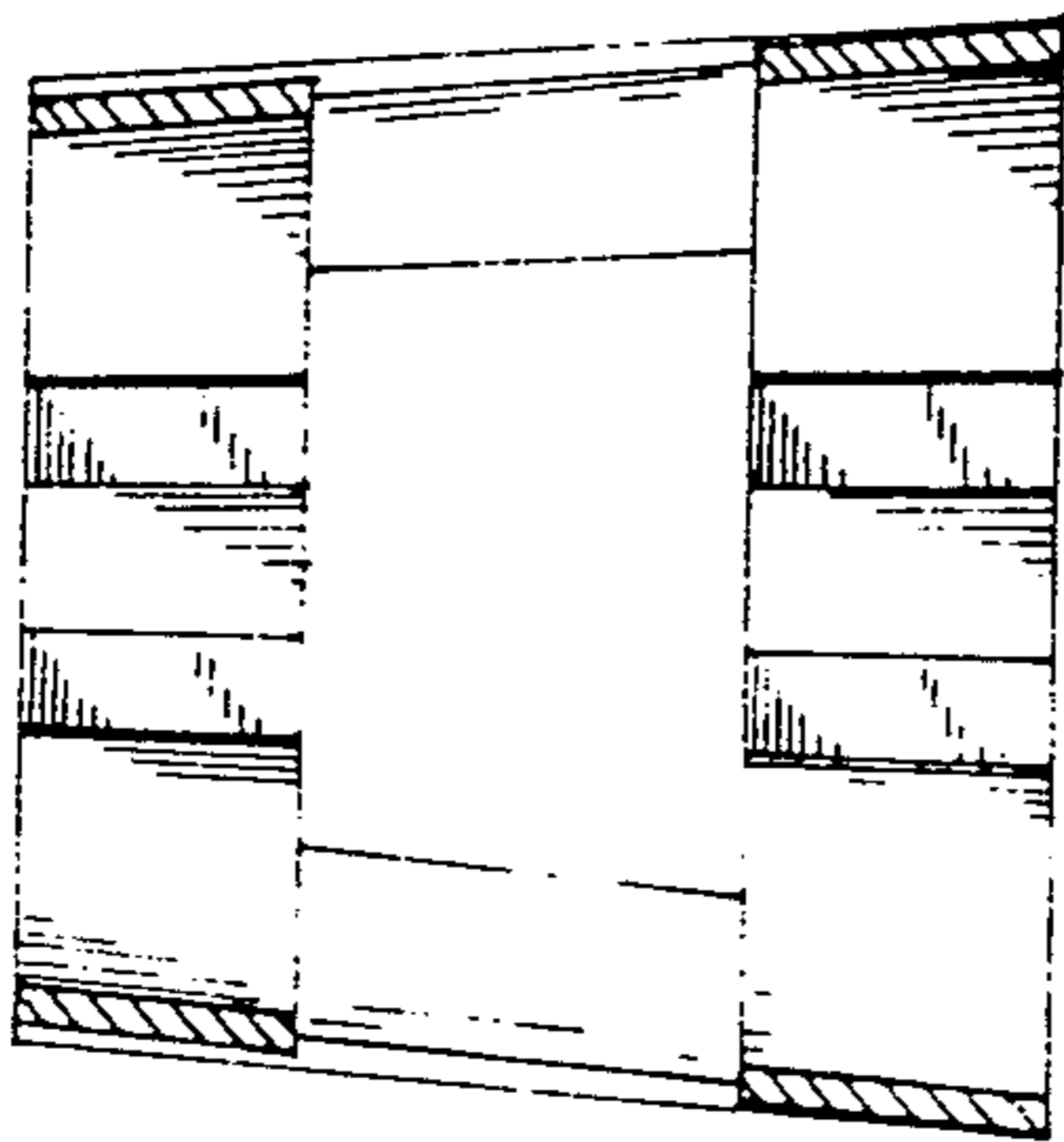


FIG. 4

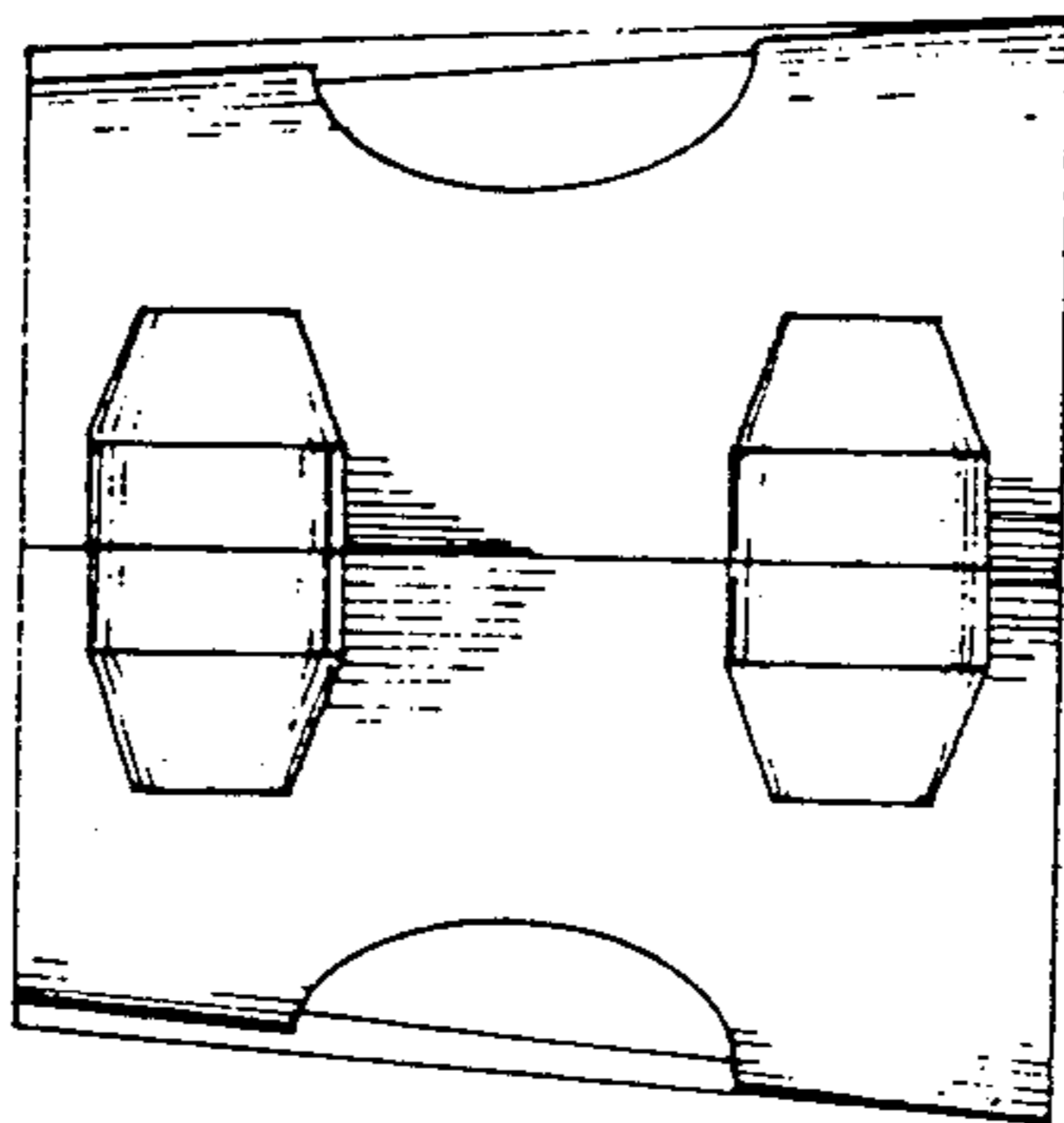


FIG. 5

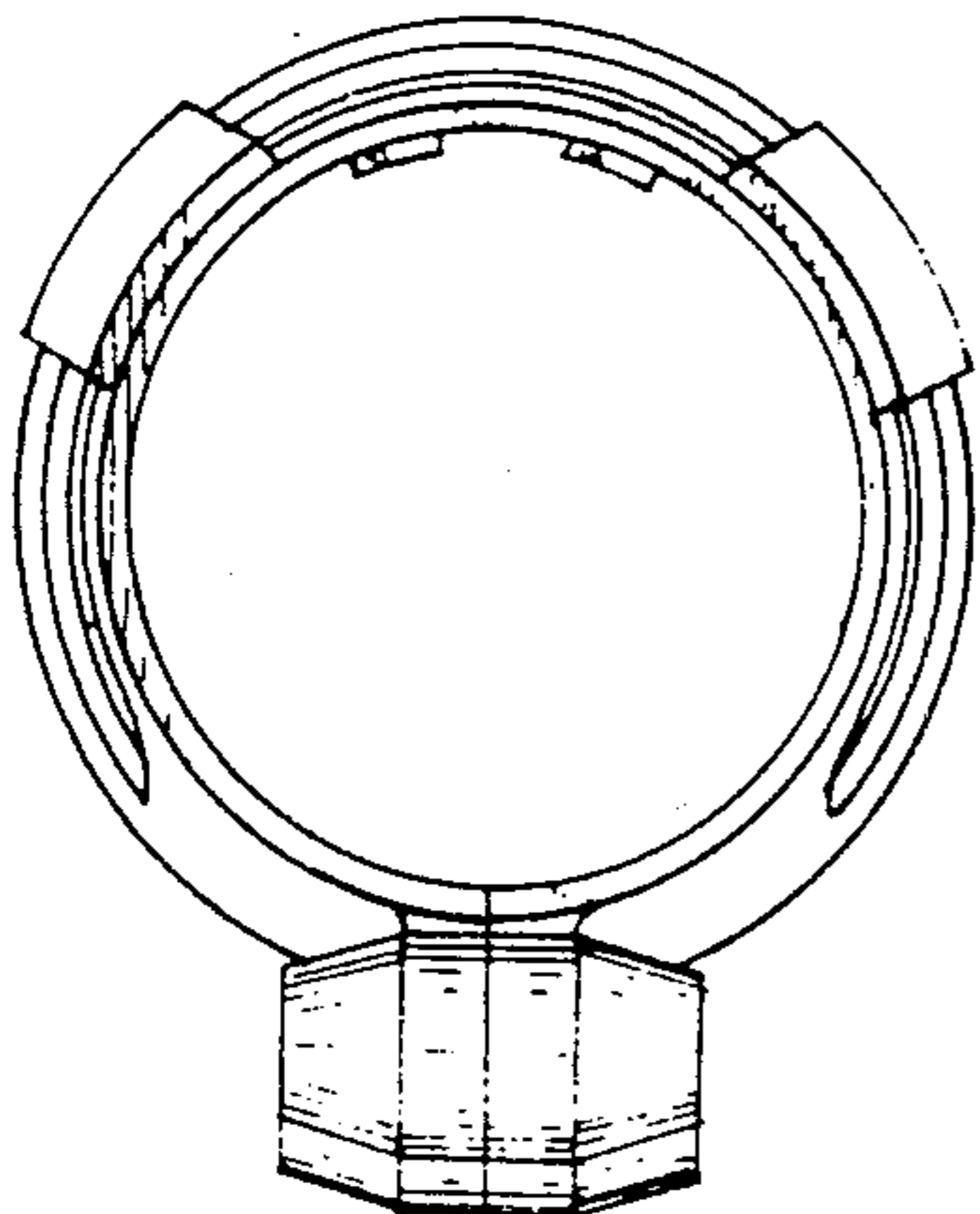


FIG. 6

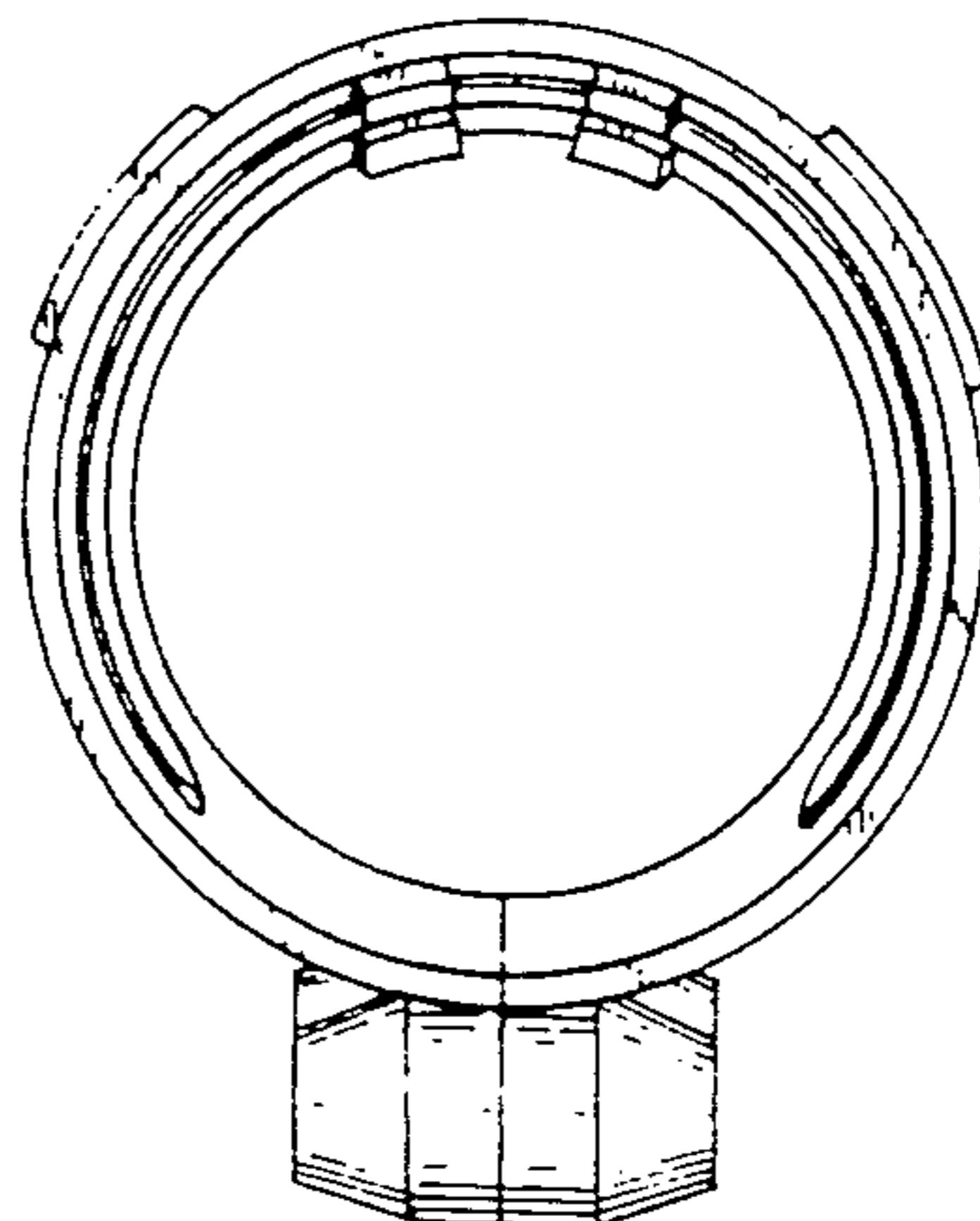


FIG. 7

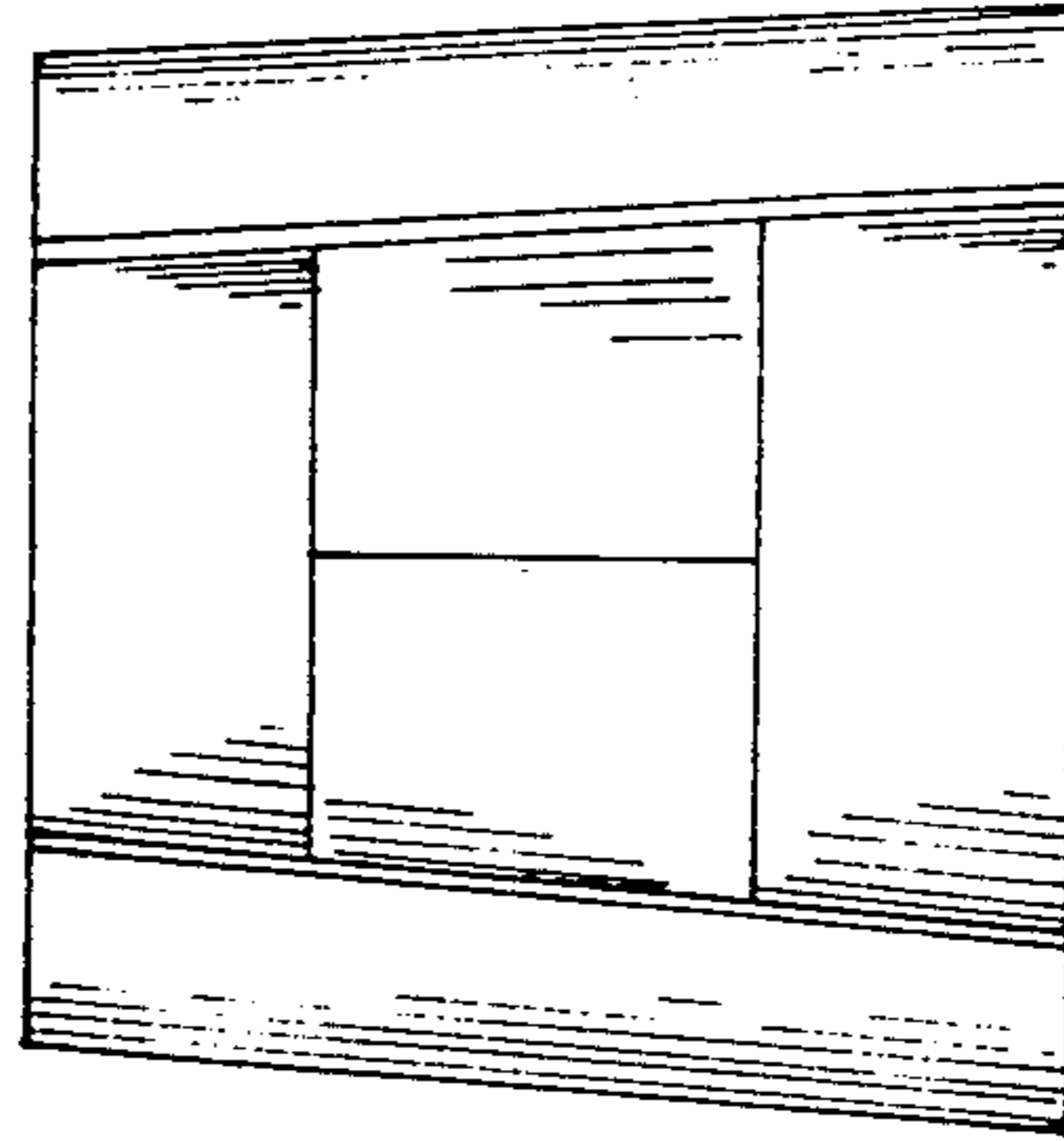


FIG. 8

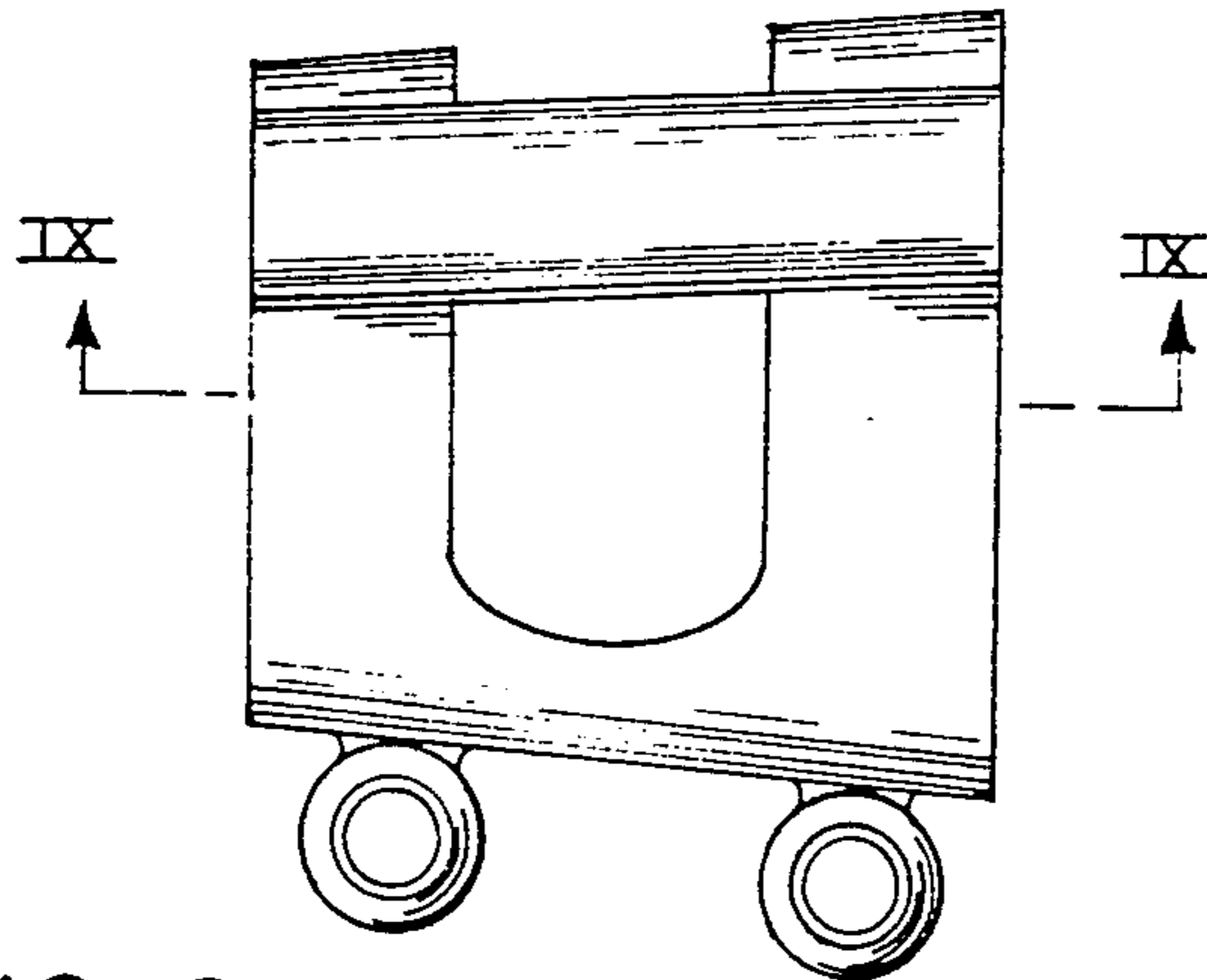


FIG. 9

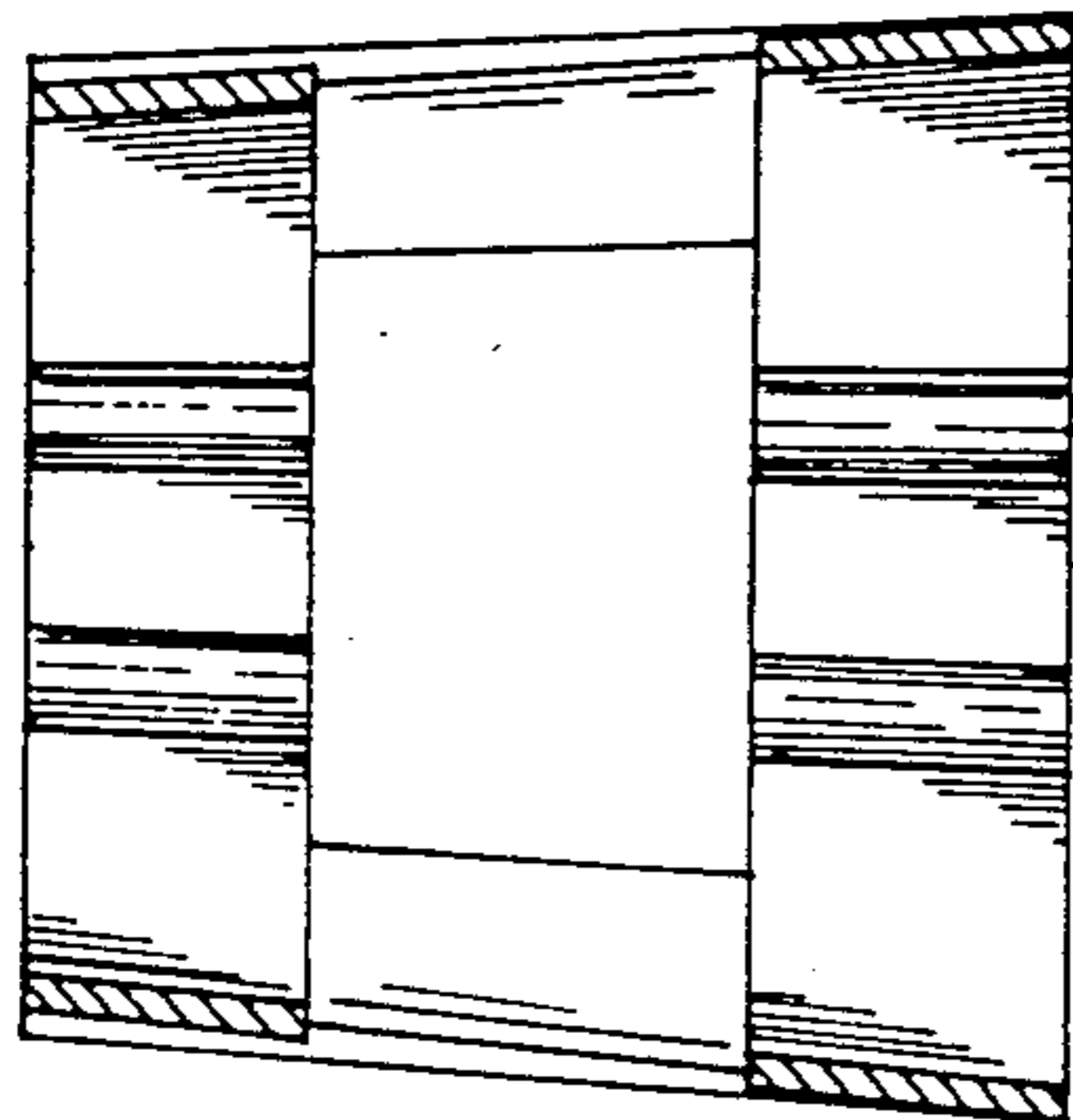


FIG. 10

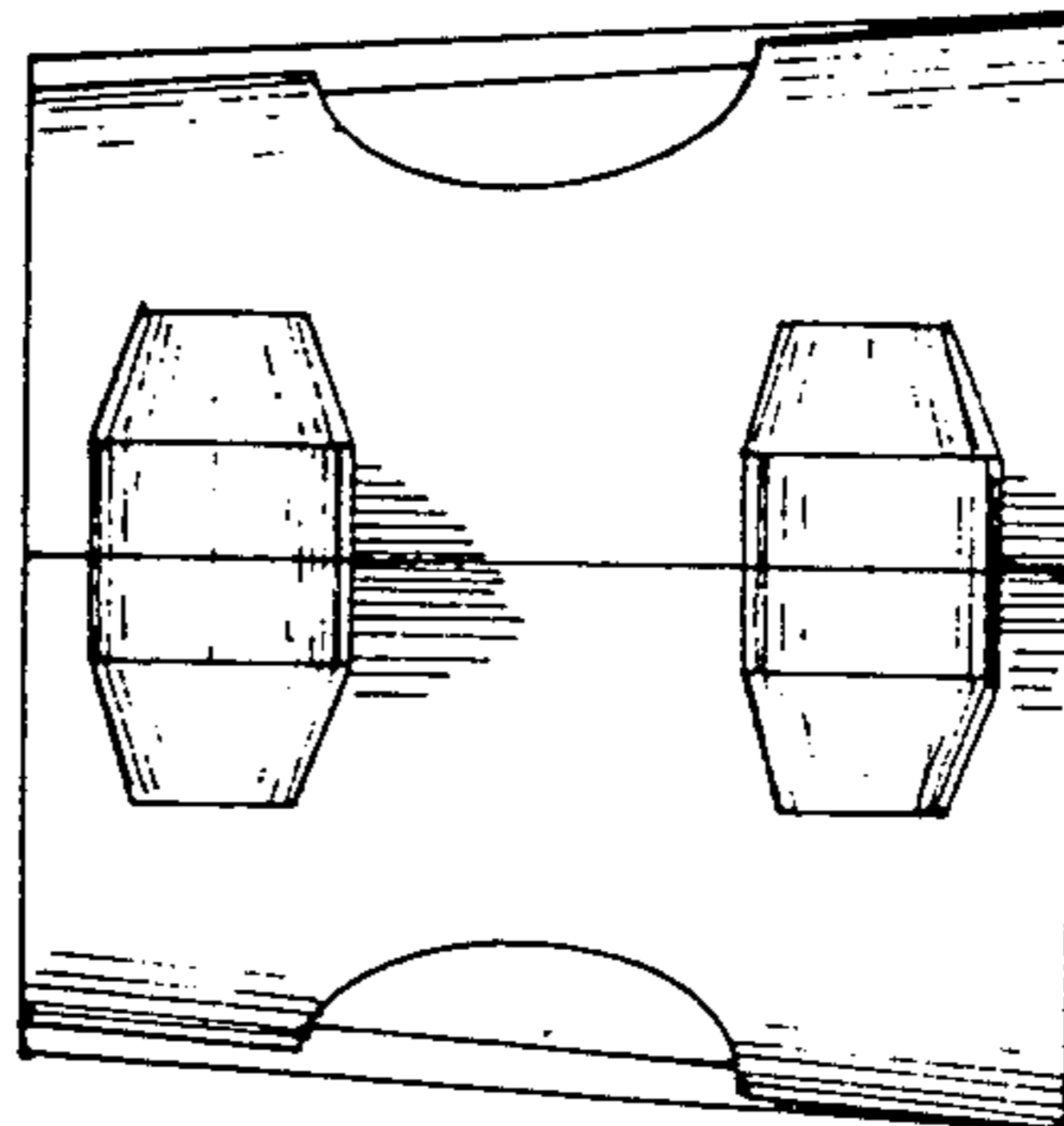


FIG. 11

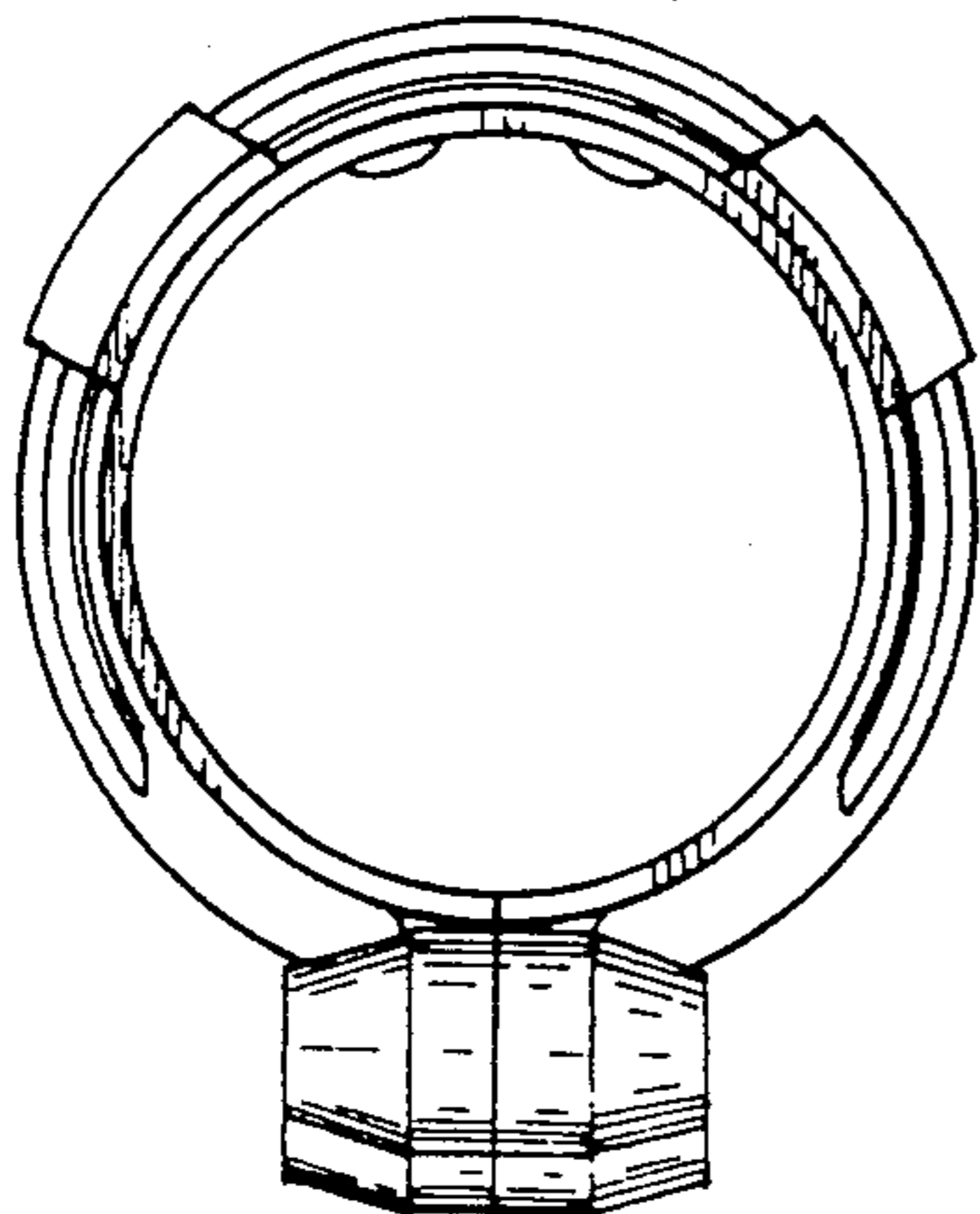


FIG. 12

