

[54] DISK DRIVE UNIT FOR A COMPUTER SYSTEM

[75] Inventor: Eric G. Xanthopoulos, San Jose, Calif.

[73] Assignee: Cromemco Inc., Calif.

[**] Term: 14 Years

[21] Appl. No.: 438,699

[22] Filed: Nov. 2, 1982

[52] U.S. Cl. D14/109

[58] Field of Search D14/100-116; 360/97, 98, 99, 133

[56] References Cited

U.S. PATENT DOCUMENTS

D. 255,236 6/1980 Campbell et al. D14/109

OTHER PUBLICATIONS

On Computing, Summer 1980, p. 9, Floppy Disk Drive and p. 24, Stacked Atari Disk Drive & Printer.

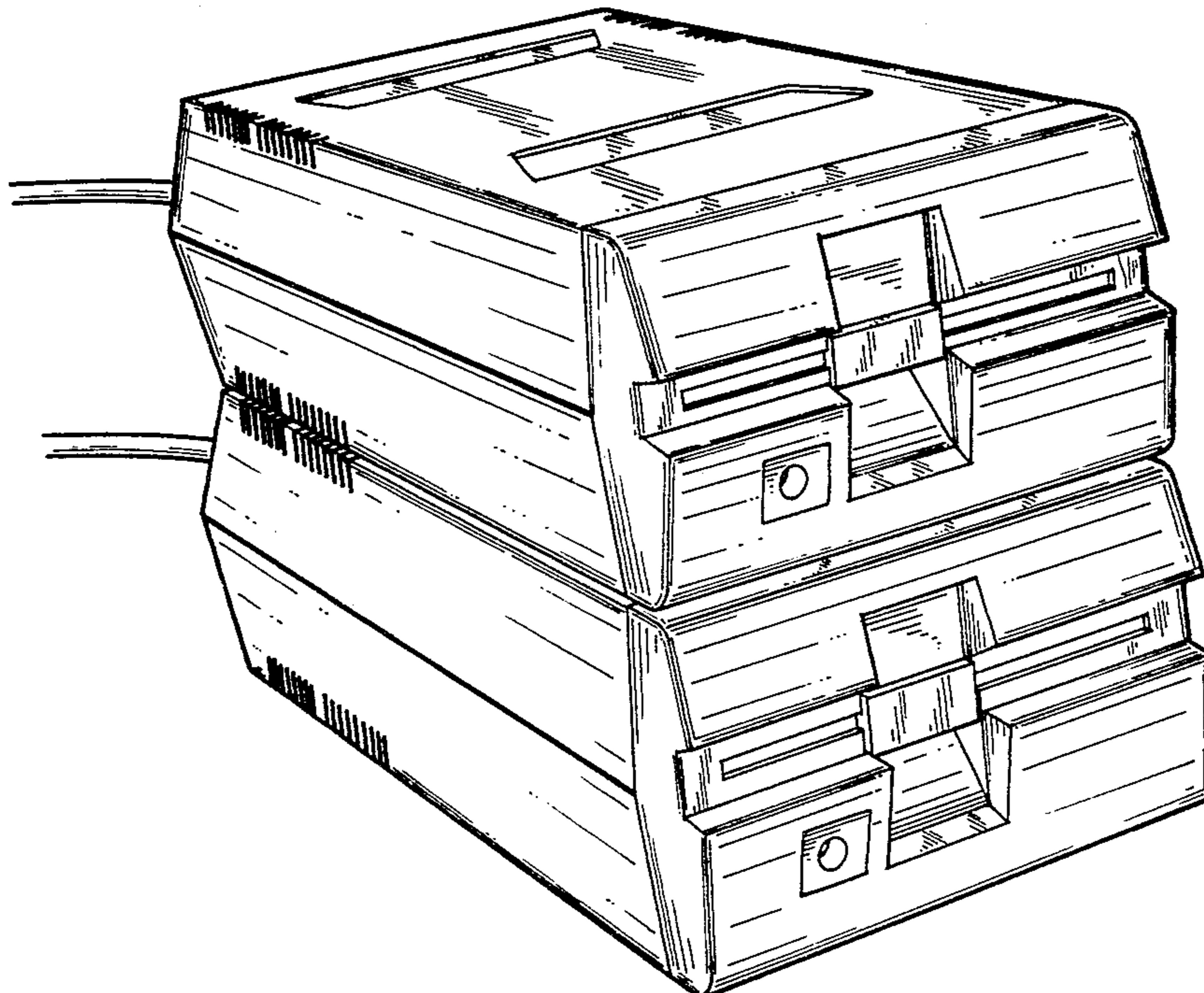
Primary Examiner—Susan J. Lucas
Attorney, Agent, or Firm—Paul Hentzel

[57] CLAIM

The ornamental design for a disk drive unit for a computer system, as shown and described.

DESCRIPTION

FIG. 1 is a front perspective view of the disk drive unit for a computer system showing the new design; FIGS. 2 and 3 are respective enlarged front and side elevational views thereof, one of the drives being omitted for convenience of illustration; FIG. 4 is an enlarged top plan view thereof; FIG. 5 is an enlarged bottom plan view thereof; and FIG. 6 is a rear perspective view thereof.



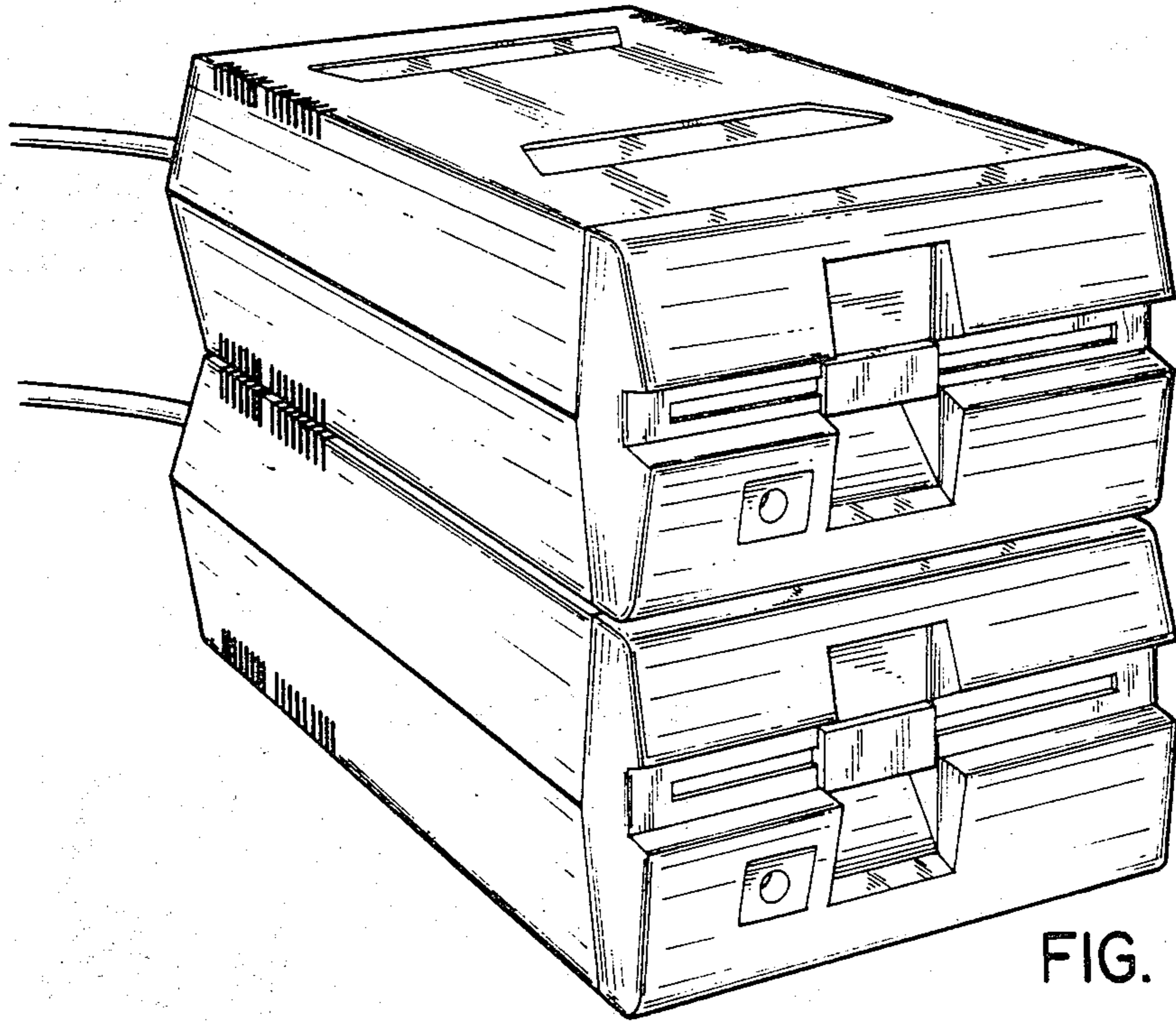


FIG. 1

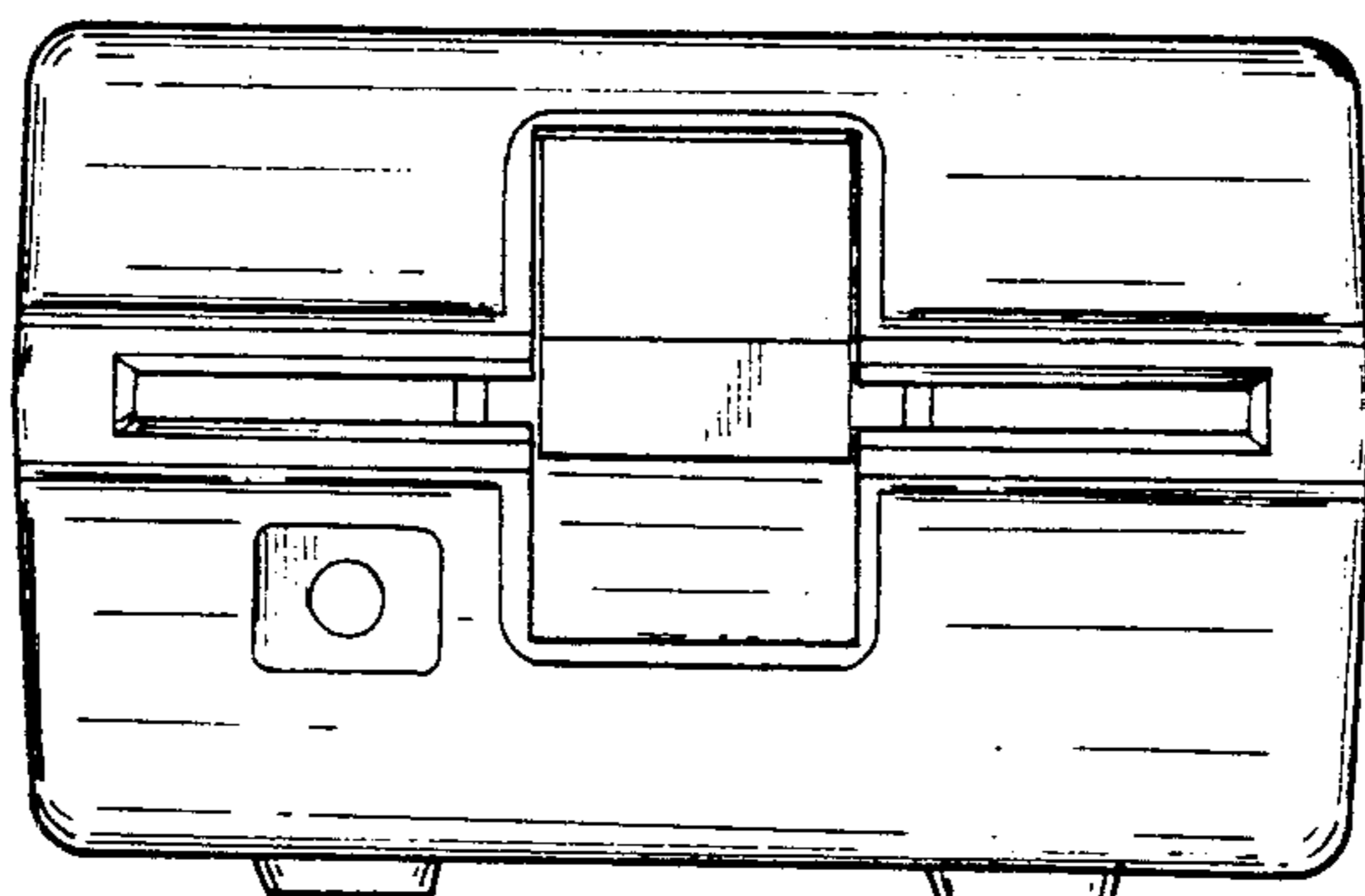


FIG. 2

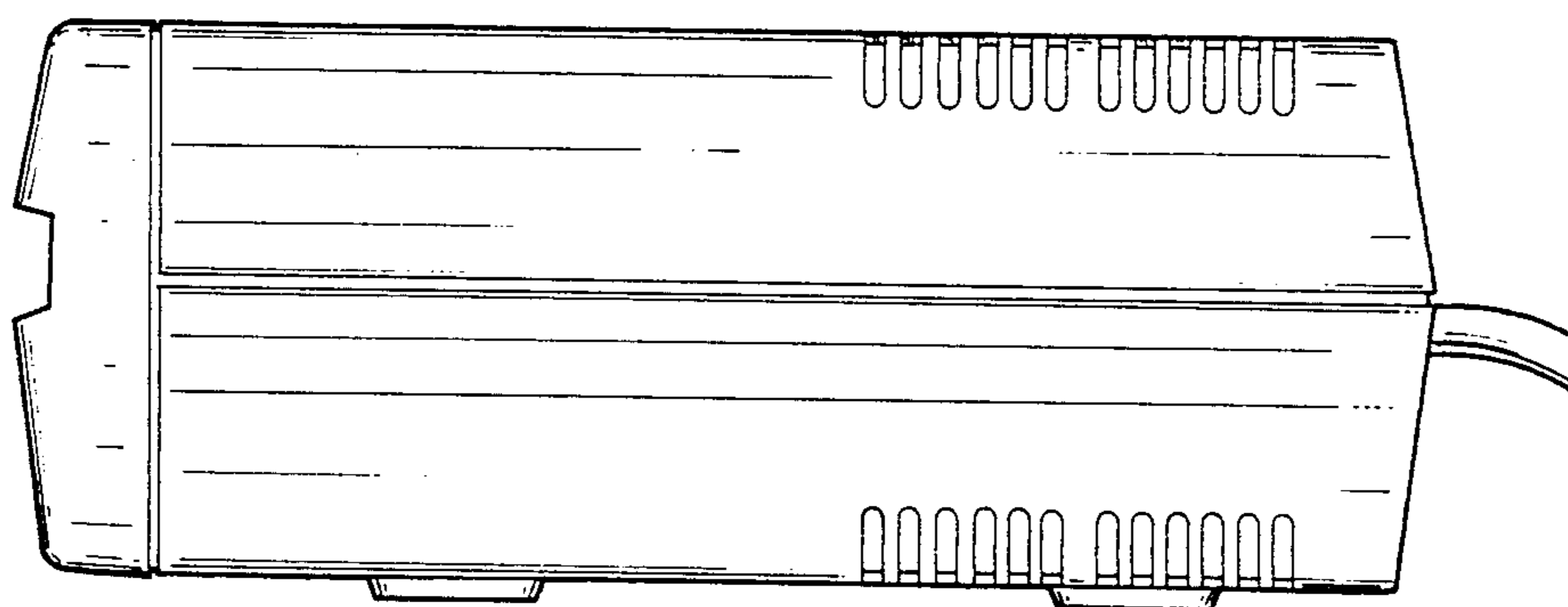


FIG. 3

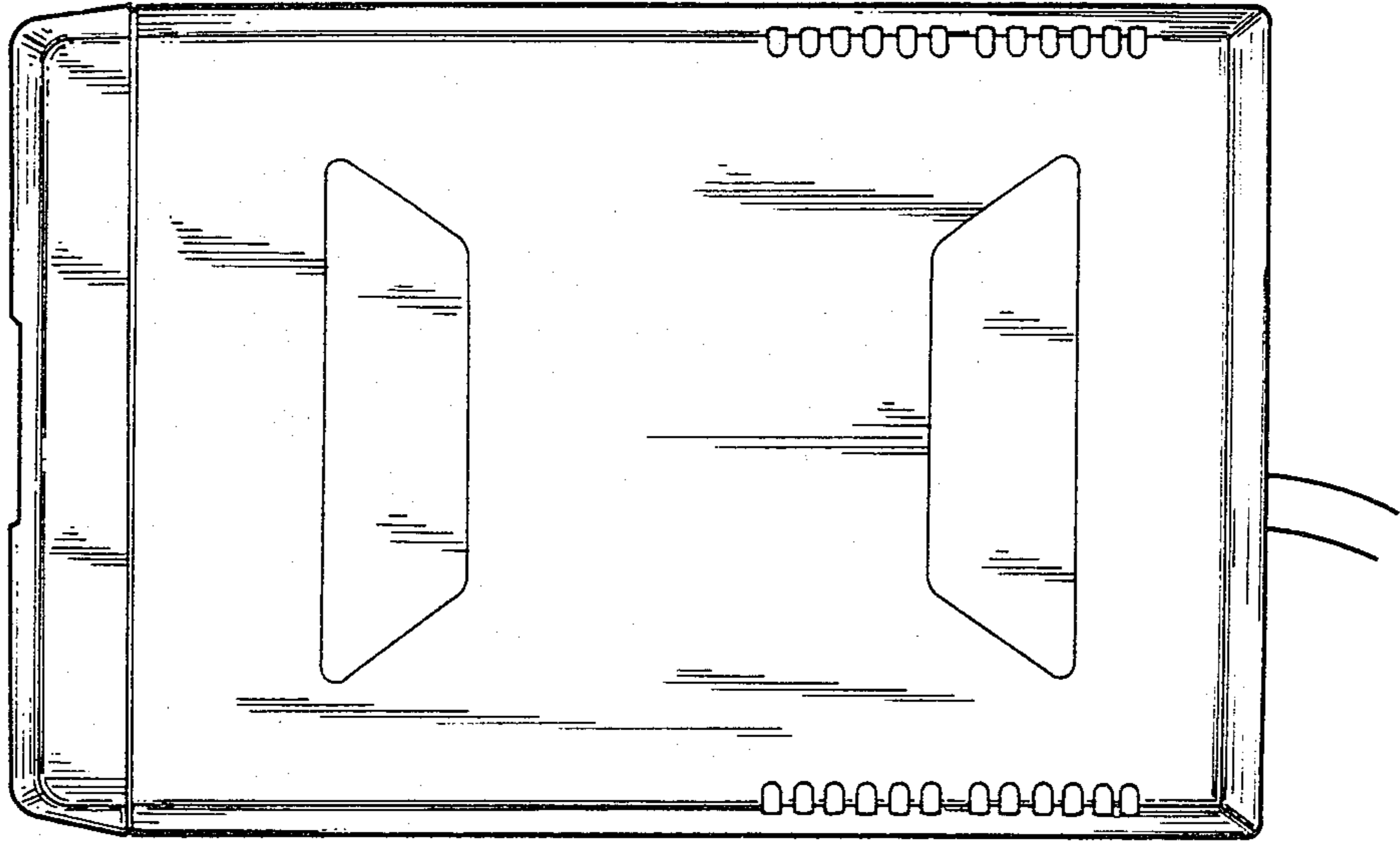


FIG. 4

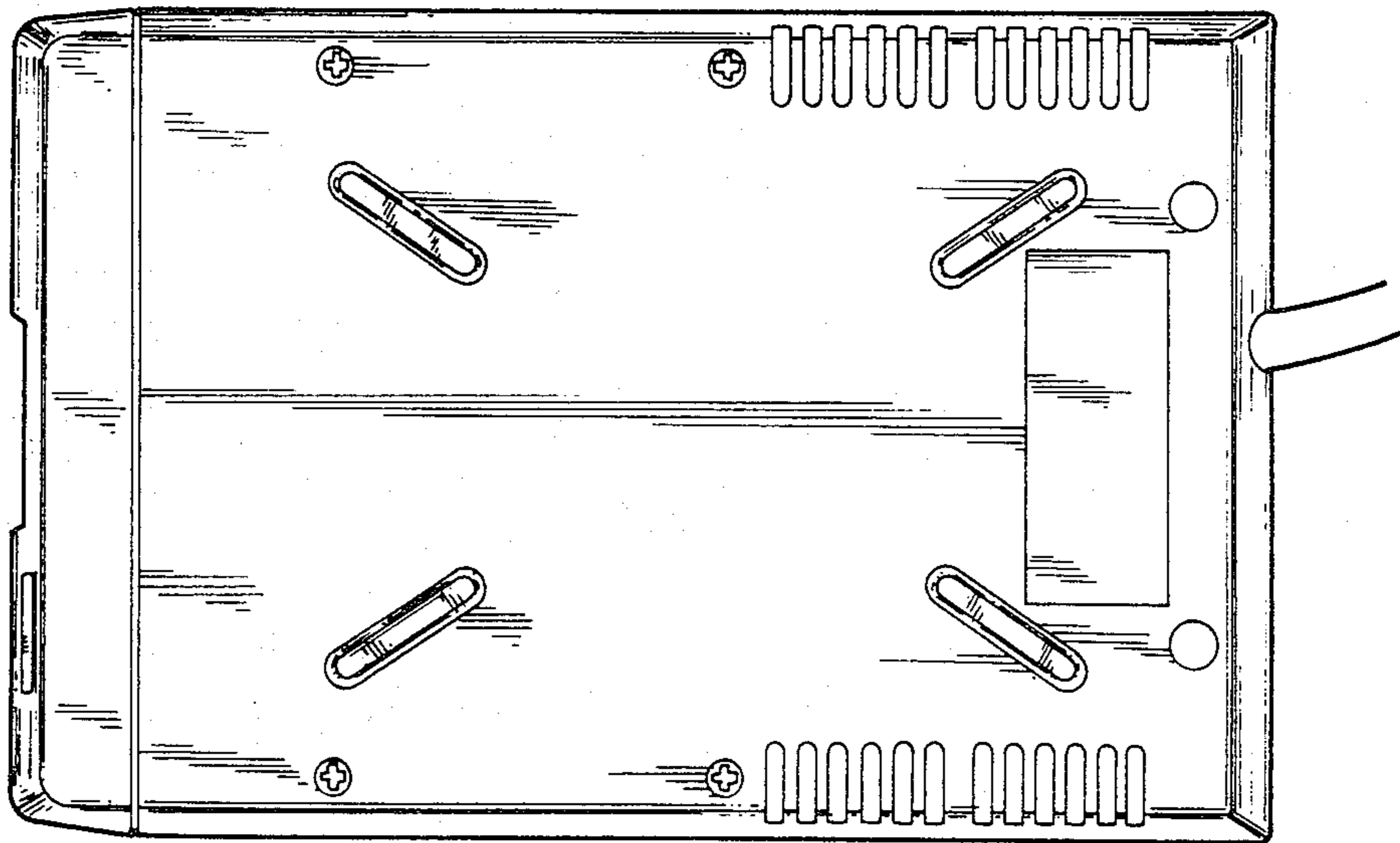


FIG. 5

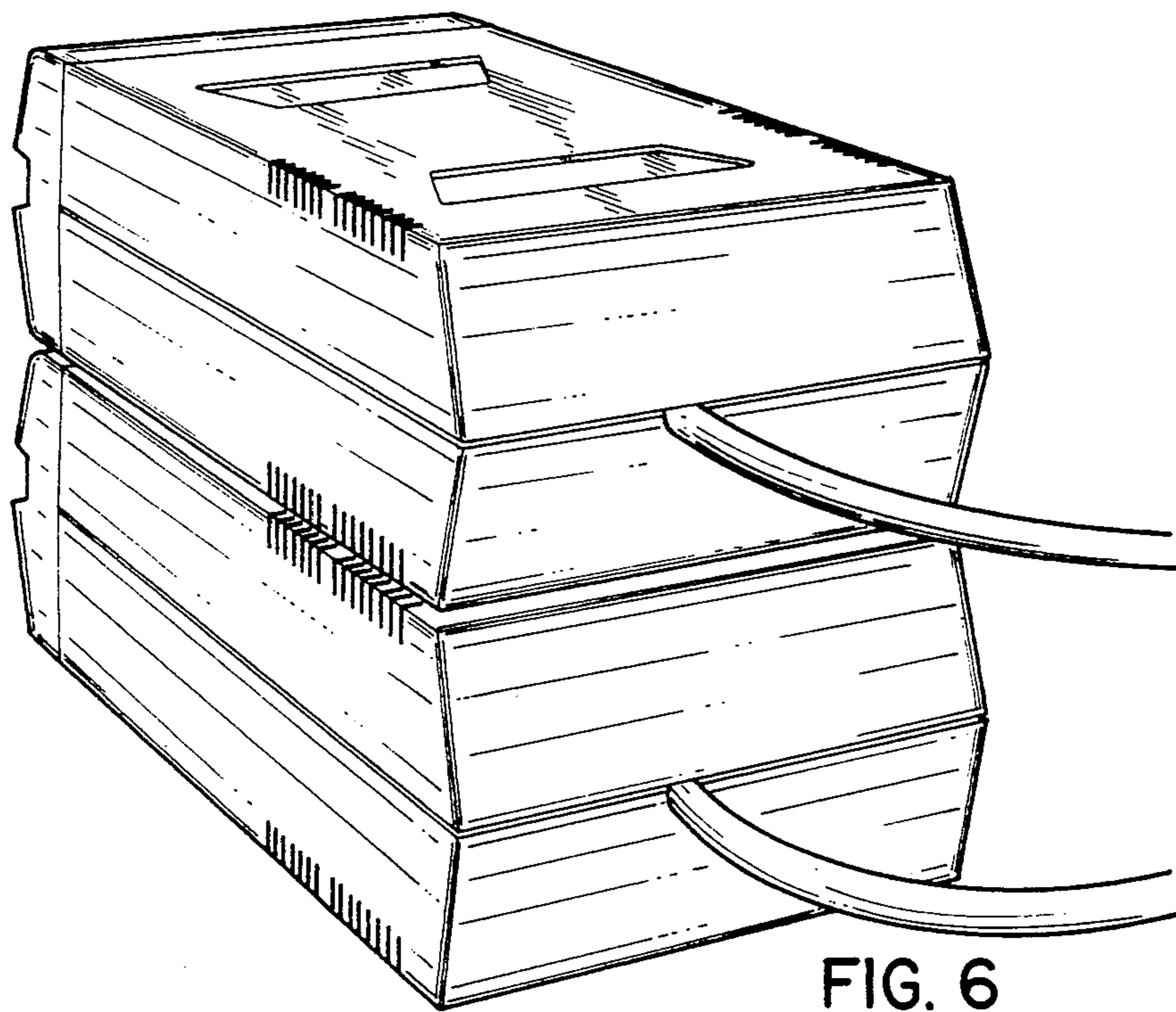


FIG. 6