

[54] WORD PROCESSOR

[75] Inventor: Richard S. Thom, London, England

[73] Assignee: Prutec Limited, London, England

[**] Term: 14 Years

[21] Appl. No.: 404,926

[22] Filed: Aug. 3, 1982

[30] Foreign Application Priority Data

Feb. 10, 1982 [GB] United Kingdom 1005034

[52] U.S. Cl. D14/106

[58] Field of Search D14/100, 101, 105-116;
364/900; 340/365 R, 700, 711

[56] References Cited

U.S. PATENT DOCUMENTS

- D. 229,063 11/1973 Zierhut et al. D14/106
- D. 237,088 10/1975 Wiebe D14/106

OTHER PUBLICATIONS

Computer Design, 11-1980, p. 158, Chromatics Color Graphics Computer.

Primary Examiner—Susan J. Lucas
Attorney, Agent, or Firm—Oblon, Fisher, Spivak, McClelland & Maier

[57] CLAIM

The ornamental design for a word processor, as shown and described.

DESCRIPTION

FIG. 1 is a perspective view of the work processor showing my new design;

FIG. 2 is a right side elevational view thereof, the terminal housing being omitted for convenience of illustration;

FIG. 3 is a left side elevational view thereof;

FIG. 4 is a top plan view thereof;

FIG. 5 is a rear elevational view thereof.

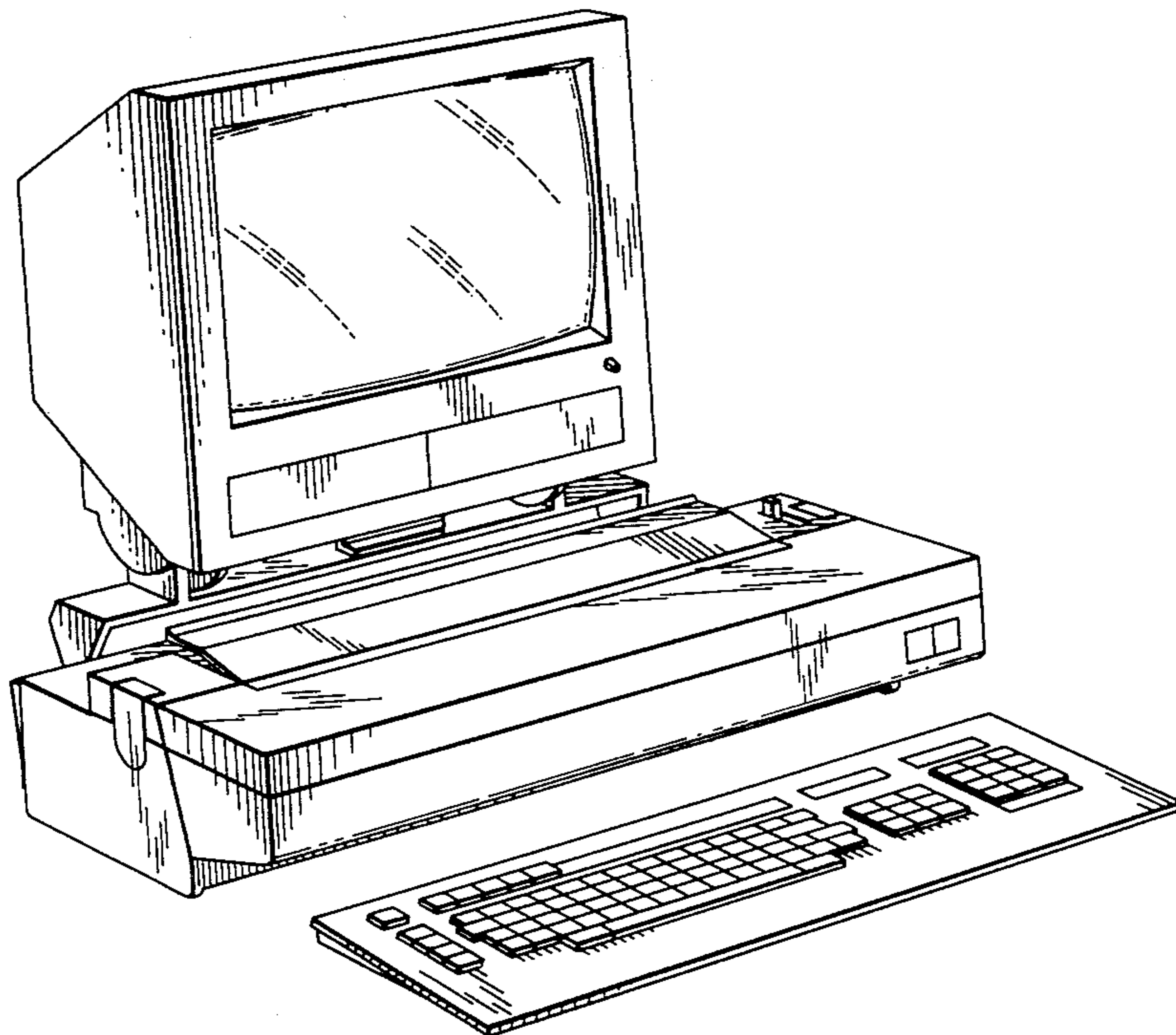


FIG. 1.

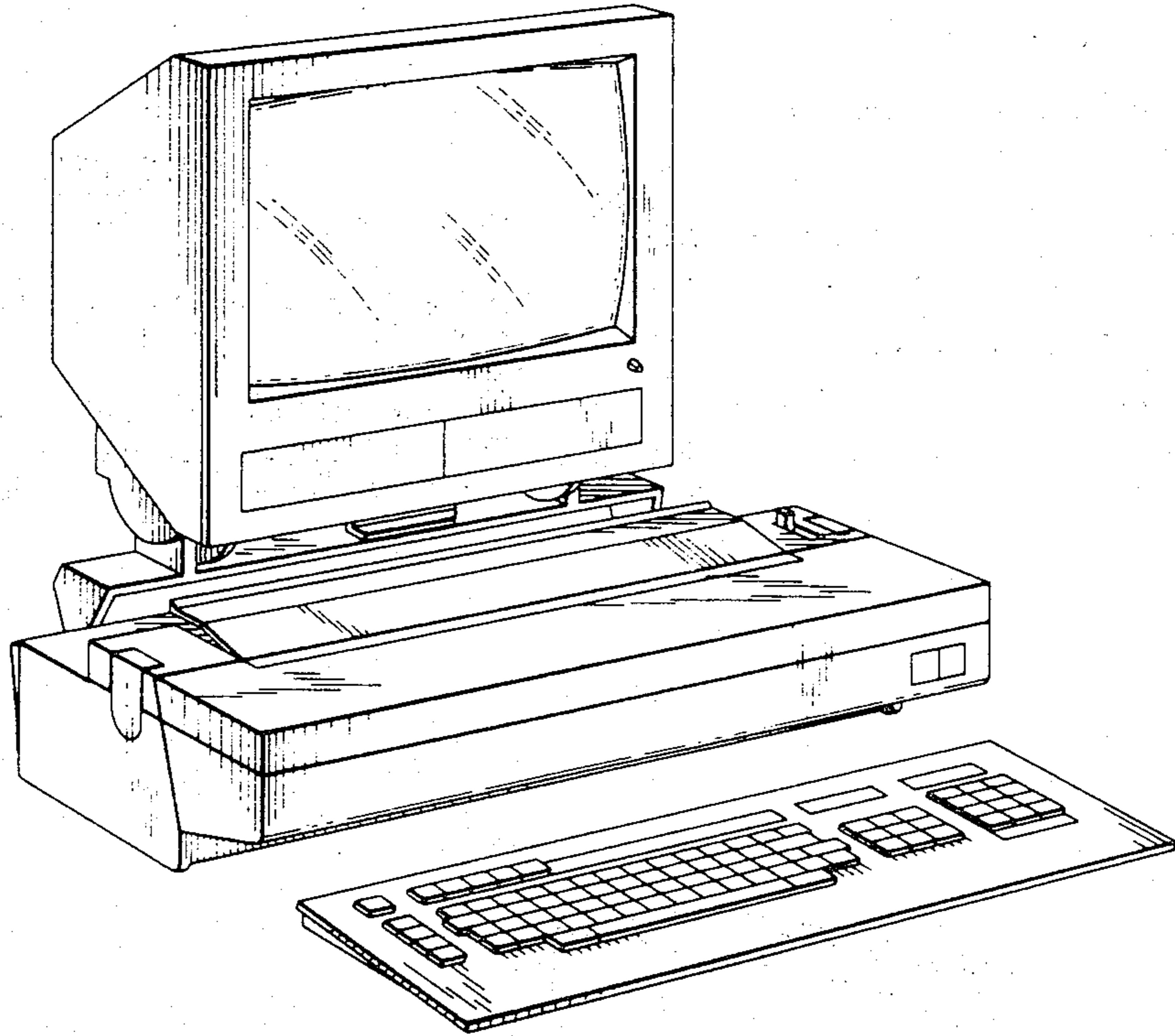


FIG. 2.

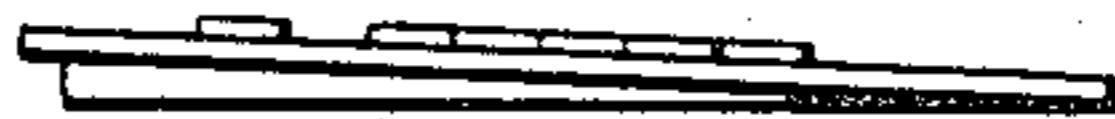


FIG. 3.

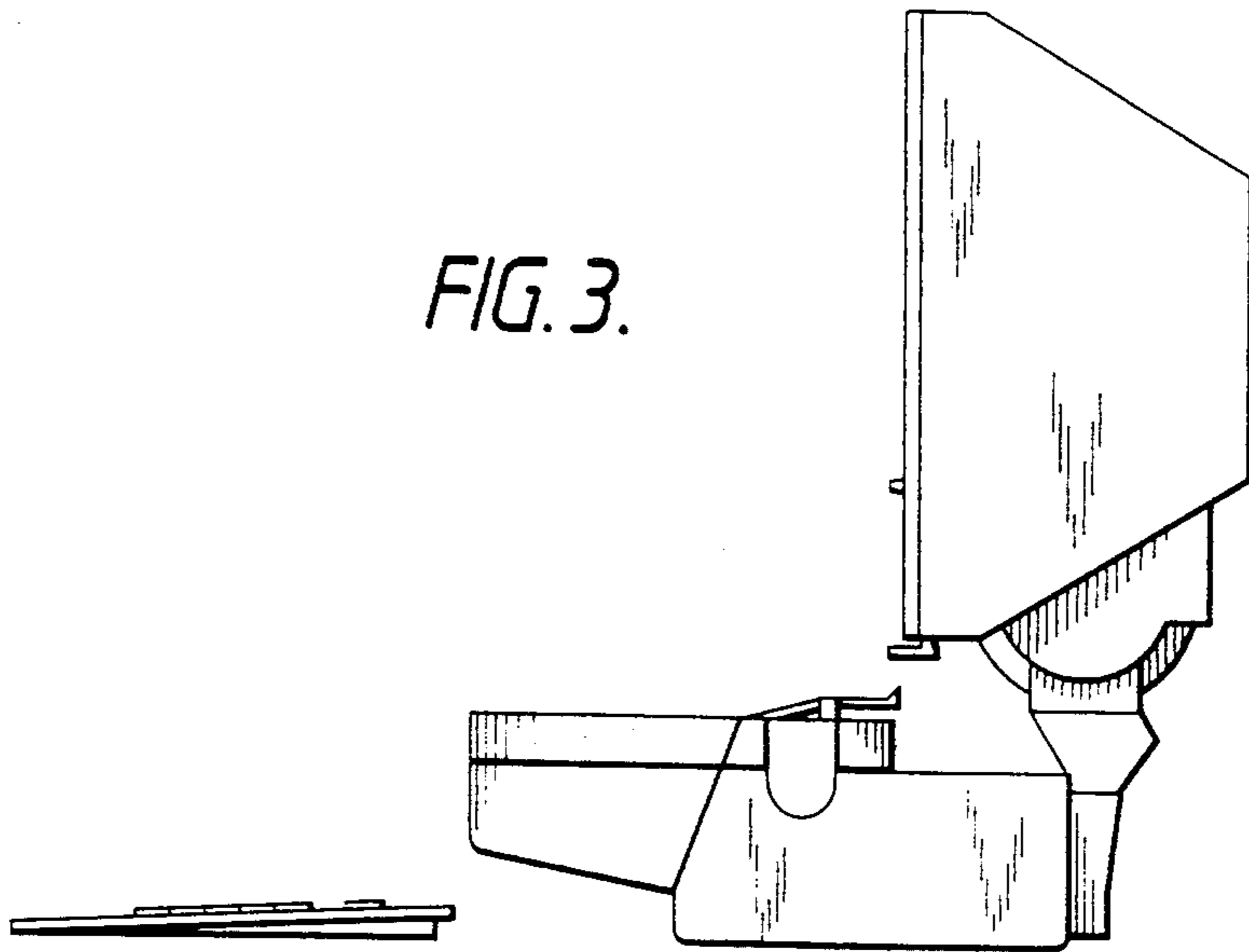


FIG. 4.

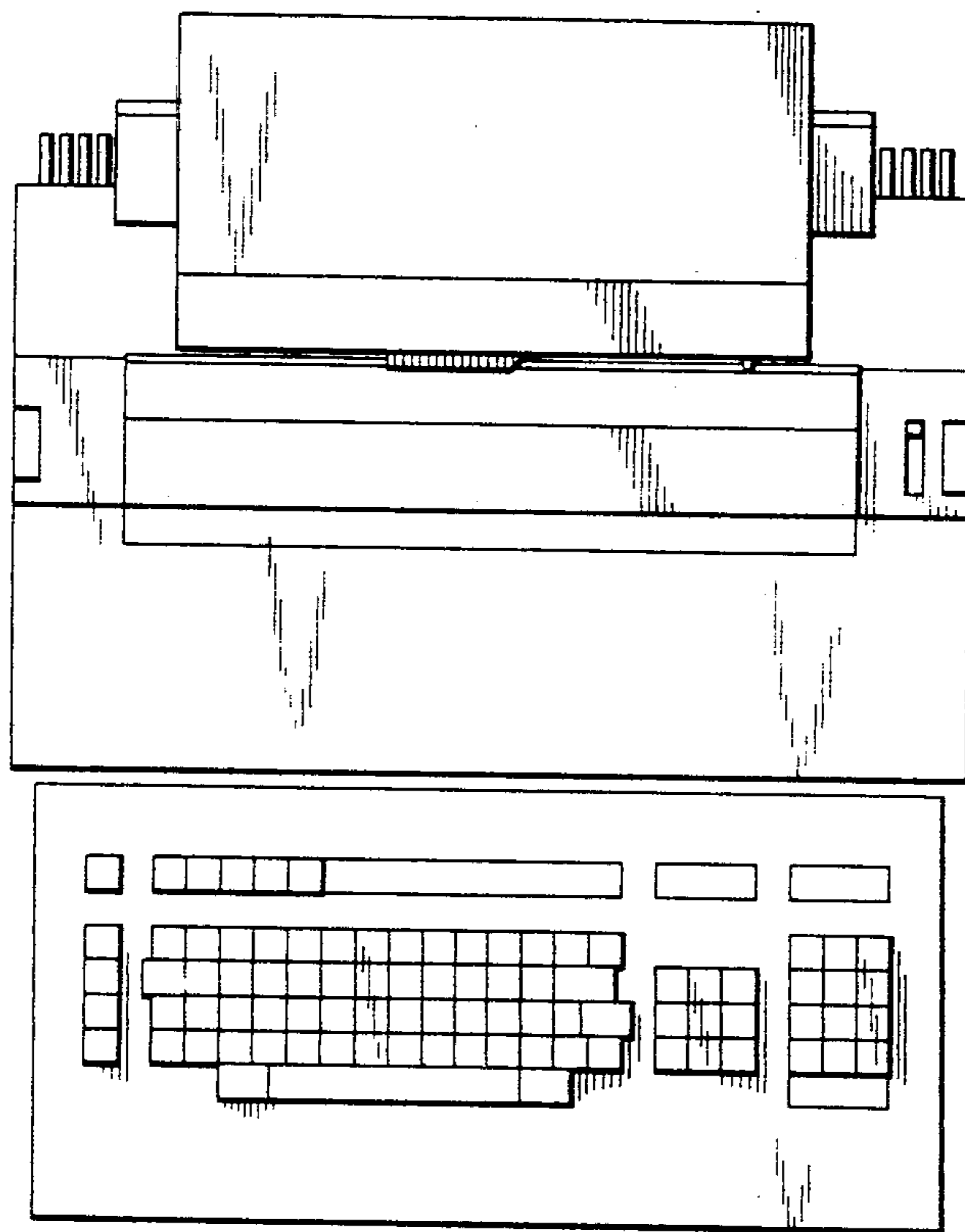


FIG. 5.

