

[54] **VEHICLE TIRE**

[75] **Inventor: Hideaki Nagayasu, Kakogawa, Japan**

[73] **Assignee: Sumitomo Rubber Industries Ltd.,
Kobe, Japan**

[**] **Term: 14 Years**

[21] **Appl. No.: 397,866**

[22] **Filed: Jul. 13, 1982**

[30] **Foreign Application Priority Data**

Jan. 13, 1982 [JP] Japan 57-1013

[52] **U.S. Cl. D12/147; D12/136**

[58] **Field of Search D12/140-151,
D12/136; 152/209 R, 209 NT, 209 B, 209 D**

[56] **References Cited**

PUBLICATIONS

1979 Tread Design Guide, p. 73, Regul Traction Poly
Tire, top right side of page.

1979 Tread Design Guide, p. 84, Wintermaster Sport
Radial, second tire in from bottom right side of page.

1979 Tread Design Guide, p. 137, Centennial Canyon
Climber Radial Traction Tire, second tire in from top
right side of page.

1981 Tread Design Guide, p. 19. Bridgestone Winter
Radial 700 & 703 Tire, third row down right side of
page & bottom left side of page.

Primary Examiner—James M. Gandy

Attorney, Agent, or Firm—Cushman, Darby & Cushman

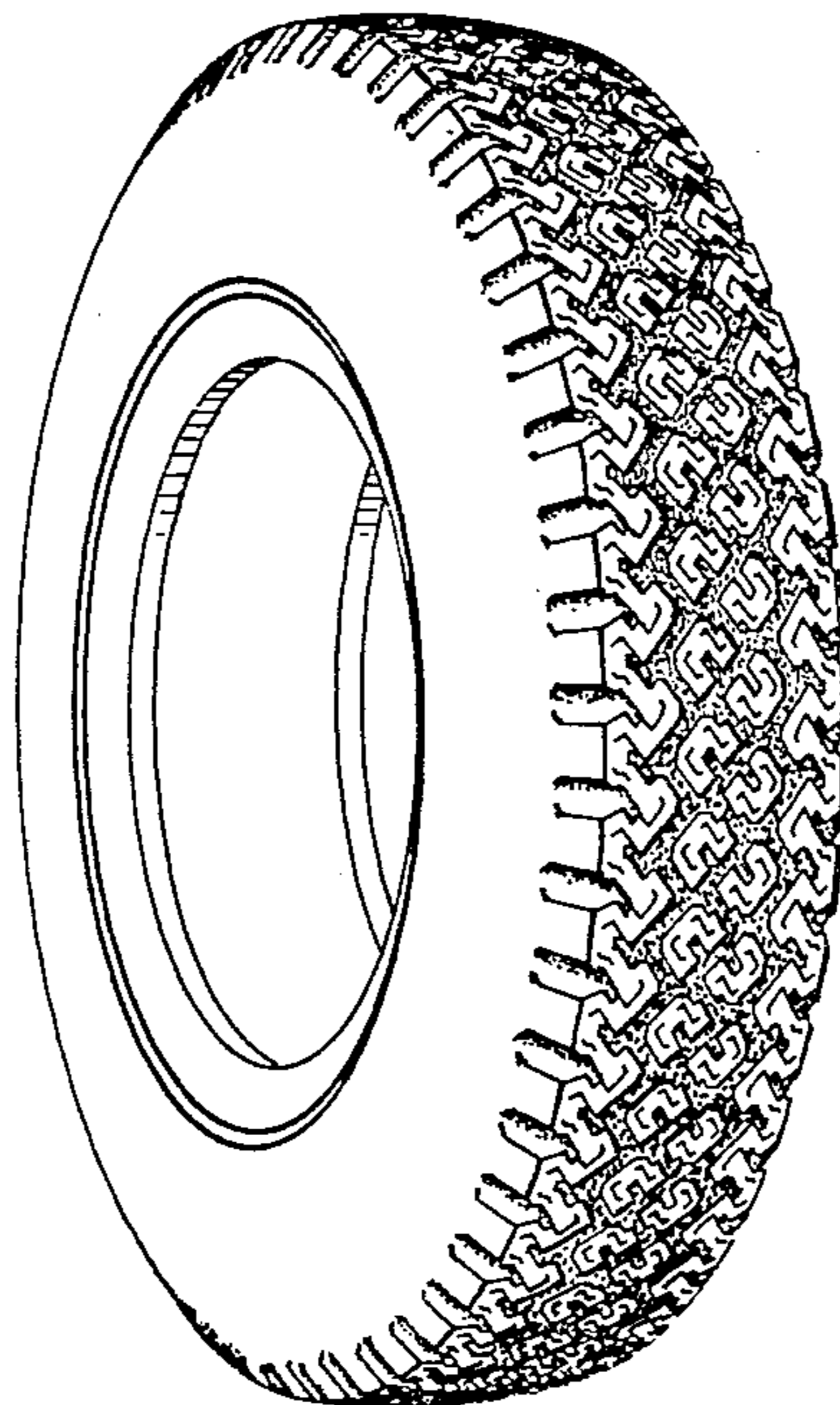
[57] **CLAIM**

The ornamental design for a vehicle tire, substantially as
shown and described.

DESCRIPTION

FIG. 1 is a perspective view of a vehicle tire showing
my new design it being understood that the tread pat-
tern is repeated uniformly throughout the circumfer-
ence of the tire, and the opposite side is substantially the
same as that shown;

FIG. 2 is a side elevational view thereof; and
FIG. 3 is a front elevational view thereof.



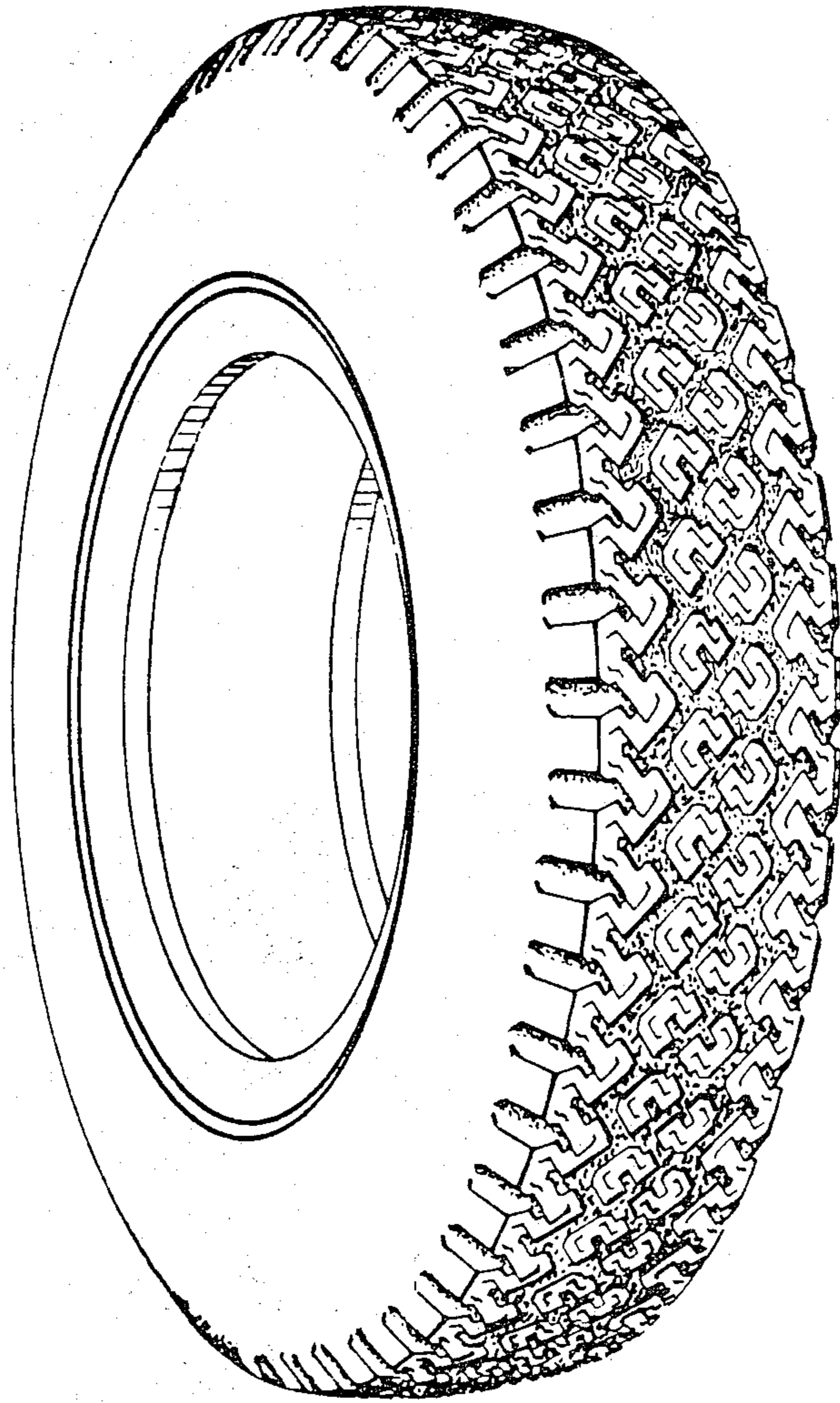
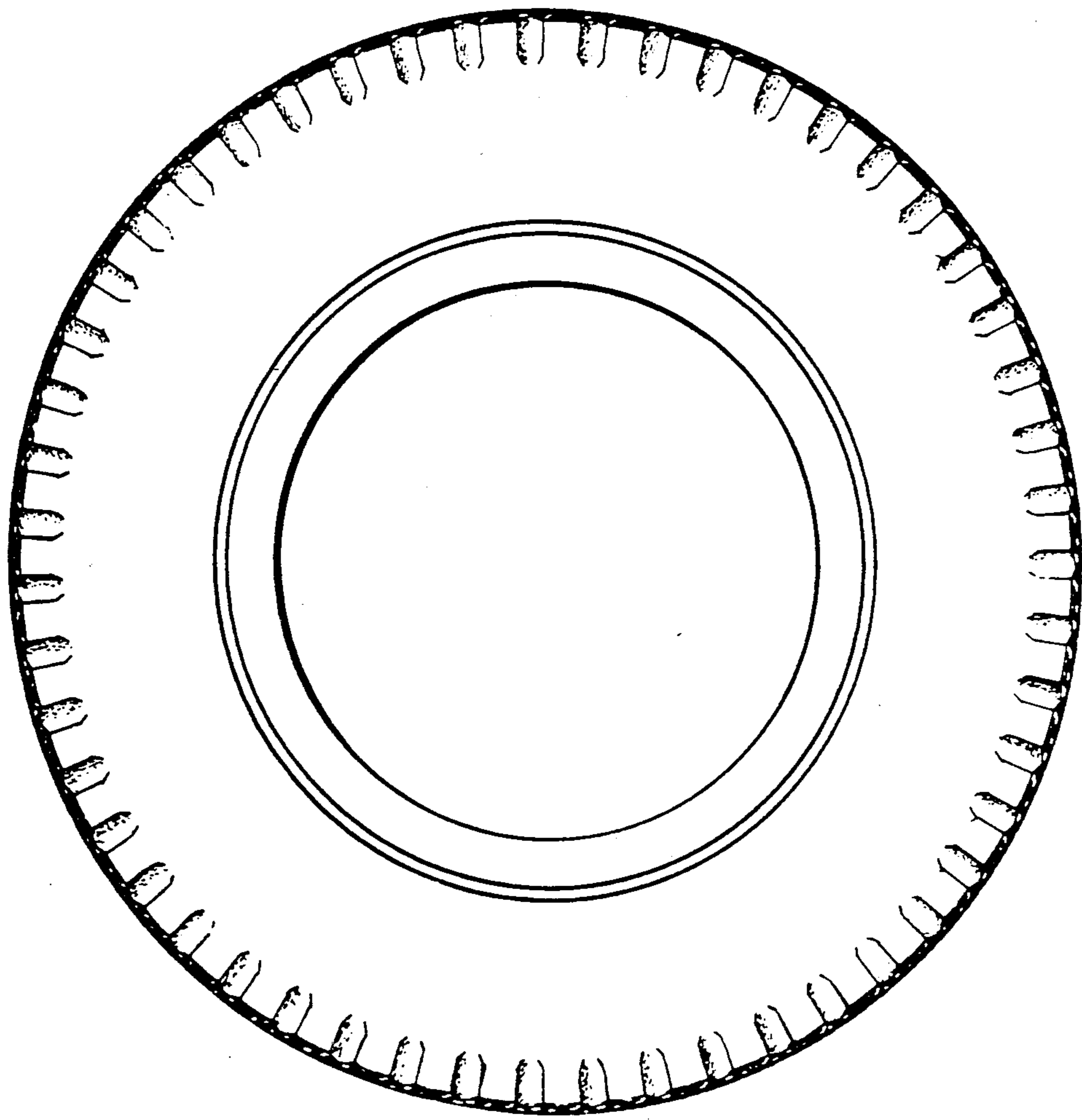


FIG. 1



F I G. 2

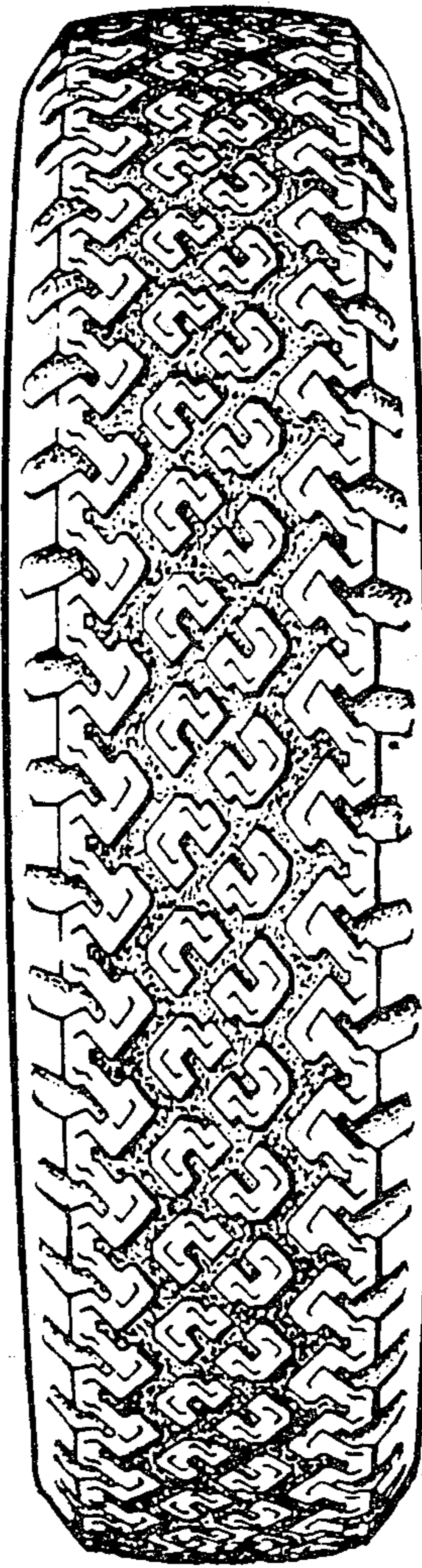


FIG. 3