

**United States Patent** [19]  
**Minnebraker**

[11] **Patent Number: Des. 277,949**  
[45] **Date of Patent: \*\* Mar. 12, 1985**

[54] **FOLDABLE WHEELCHAIR**

[75] **Inventor: Jeffrey P. Minnebraker, Westlake Village, Calif.**

[73] **Assignee: Quadra Wheelchairs, Inc., Westlake Village, Calif.**

[\*\*] **Term: 14 Years**

[21] **Appl. No.: 378,847**

[22] **Filed: May 14, 1982**

[52] **U.S. Cl. .... D12/131**

[58] **Field of Search ..... D12/131; 280/242 WC; 297/DIG. 4, 42, 44**

[56] **References Cited**

**U.S. PATENT DOCUMENTS**

D. 269,172 5/1983 Minnebraker ..... D12/131  
2,665,743 1/1954 Cosper ..... 297/42

4,082,348 4/1978 Haury ..... 297/DIG. 4  
4,360,213 11/1982 Rudwick et al. .... 280/242 WC  
4,405,142 9/1983 Whetstine ..... 297/45

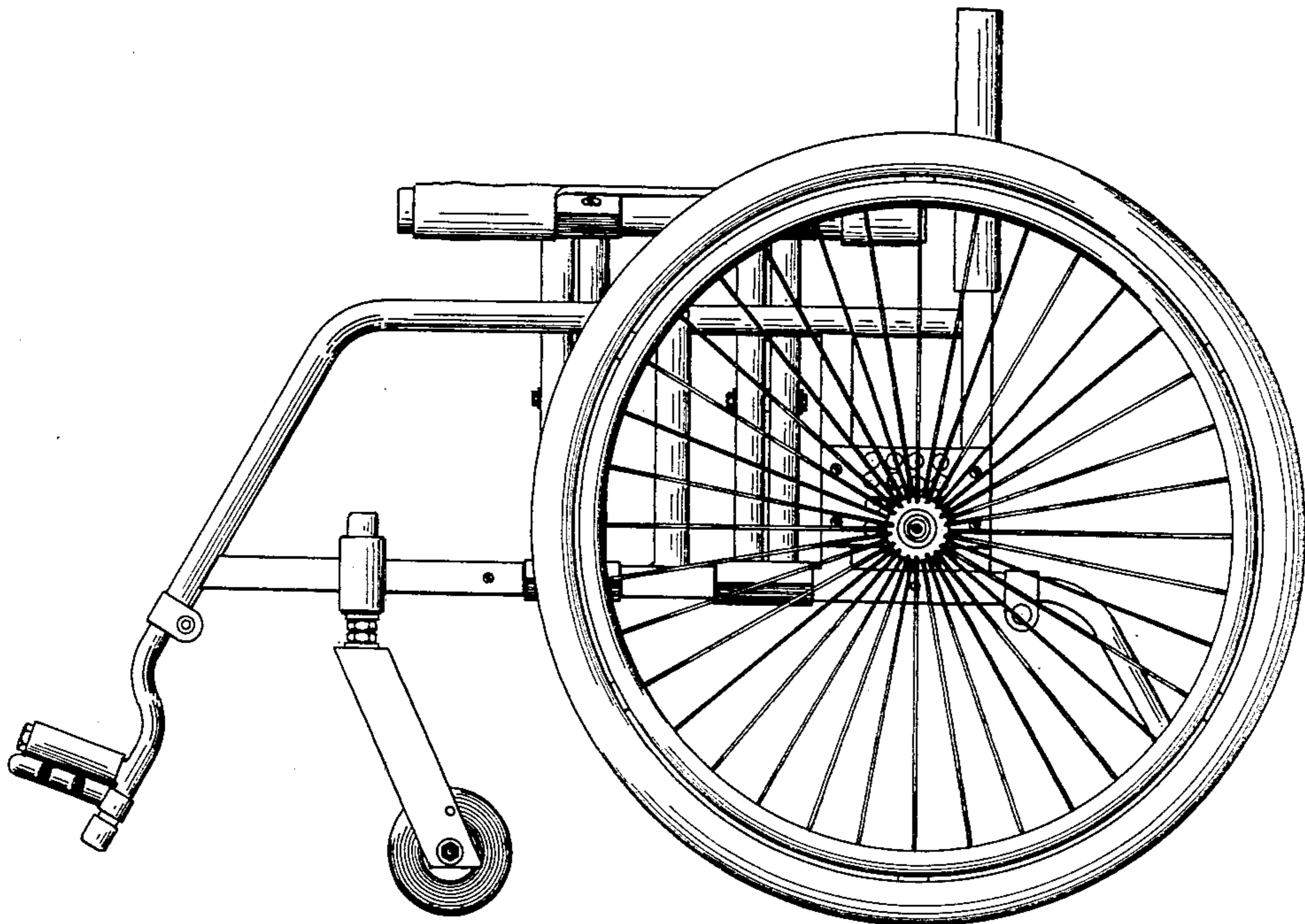
*Primary Examiner*—James M. Gandy  
*Attorney, Agent, or Firm*—Robert J. Schaap

[57] **CLAIM**

The ornamental design for a foldable wheelchair, as shown.

**DESCRIPTION**

FIG. 1 is a side elevational view of the foldable wheelchair;  
FIG. 2 is a front elevational view thereof;  
FIG. 3 is a top plan view thereof;  
FIG. 4 is a rear elevational view thereof;  
FIG. 5 is a bottom plan view thereof;  
FIG. 6 is a side elevational view thereof when folded;  
and  
FIG. 7 is a front elevational view thereof when folded.



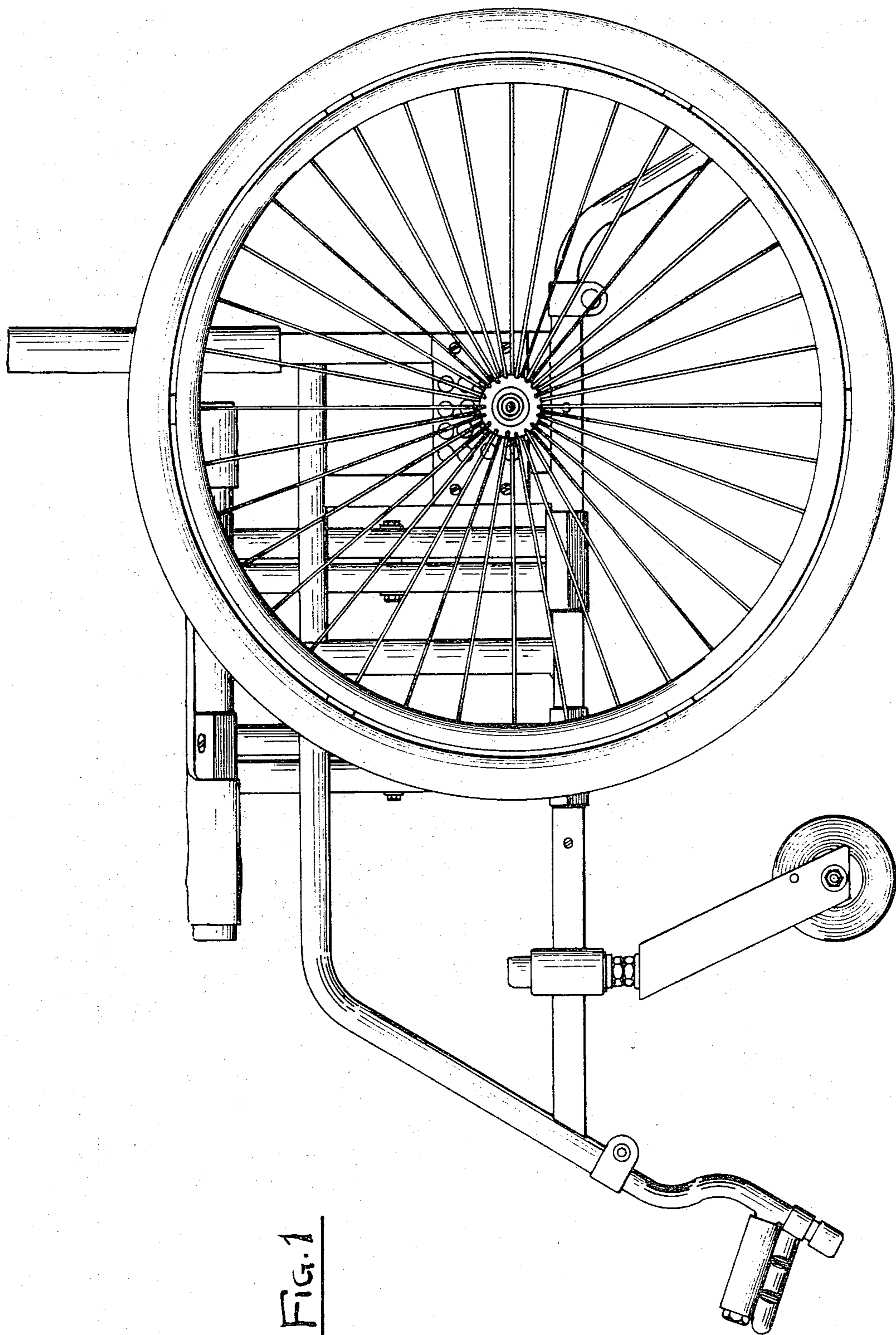


FIG. 1

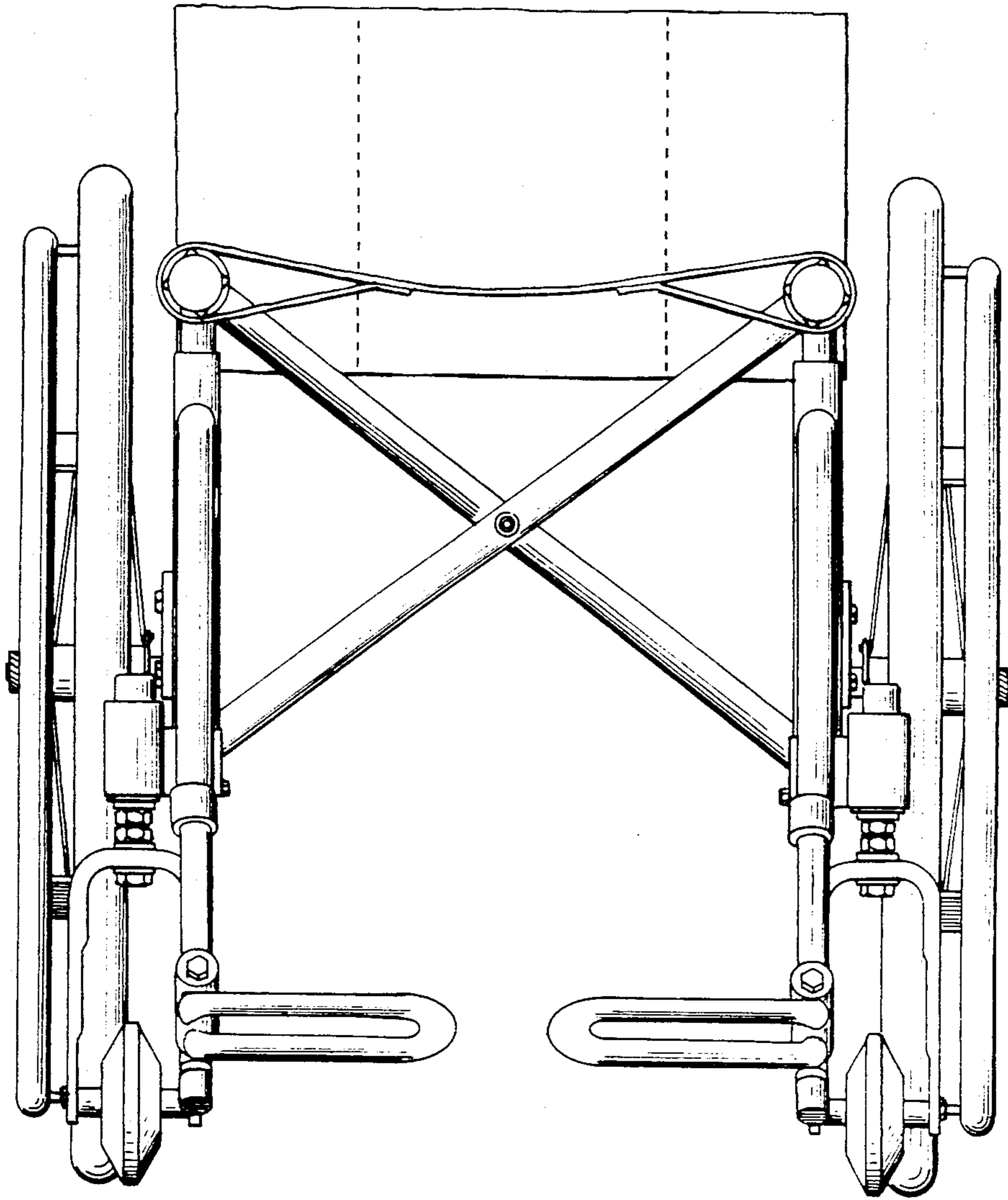


FIG. 2

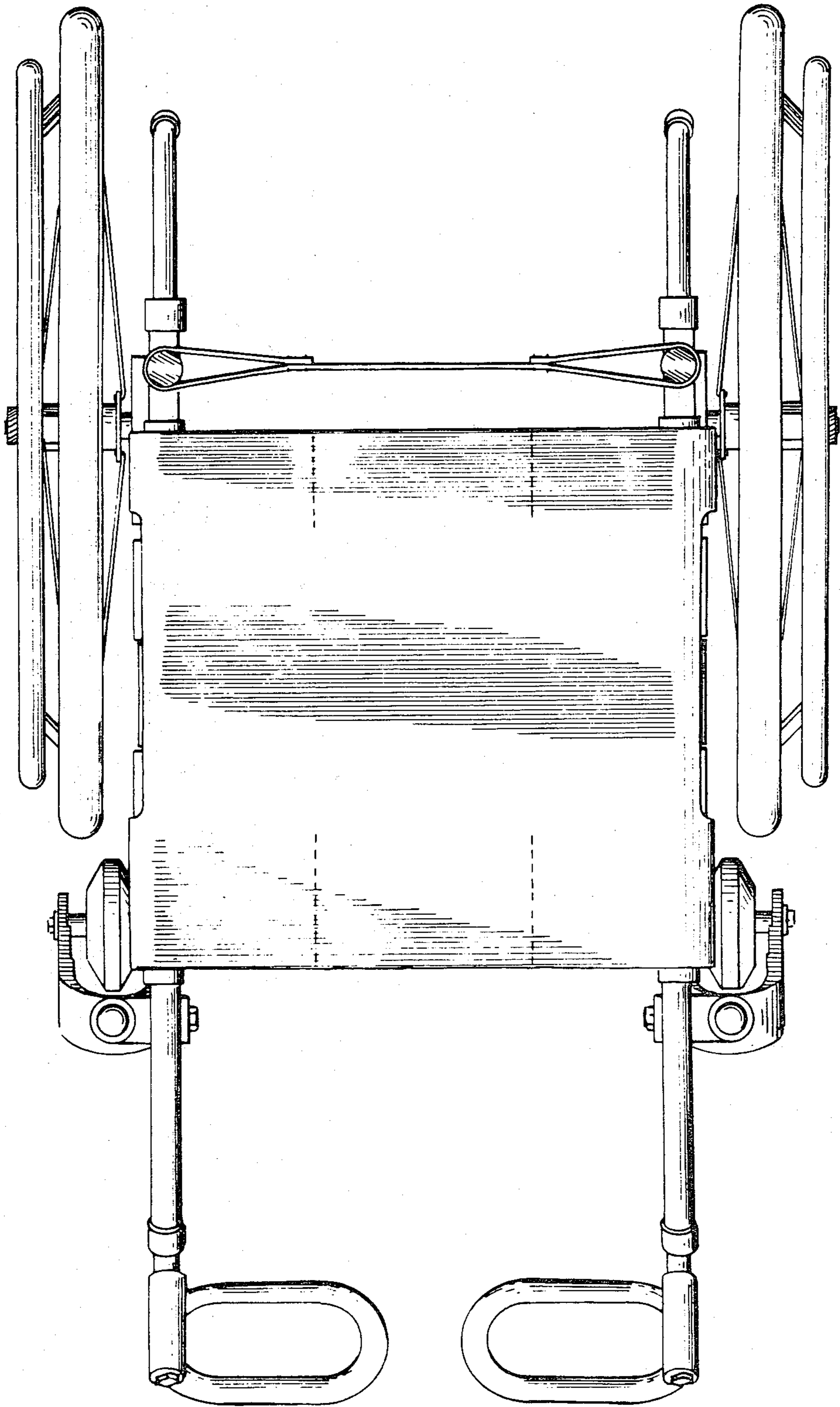


FIG. 3

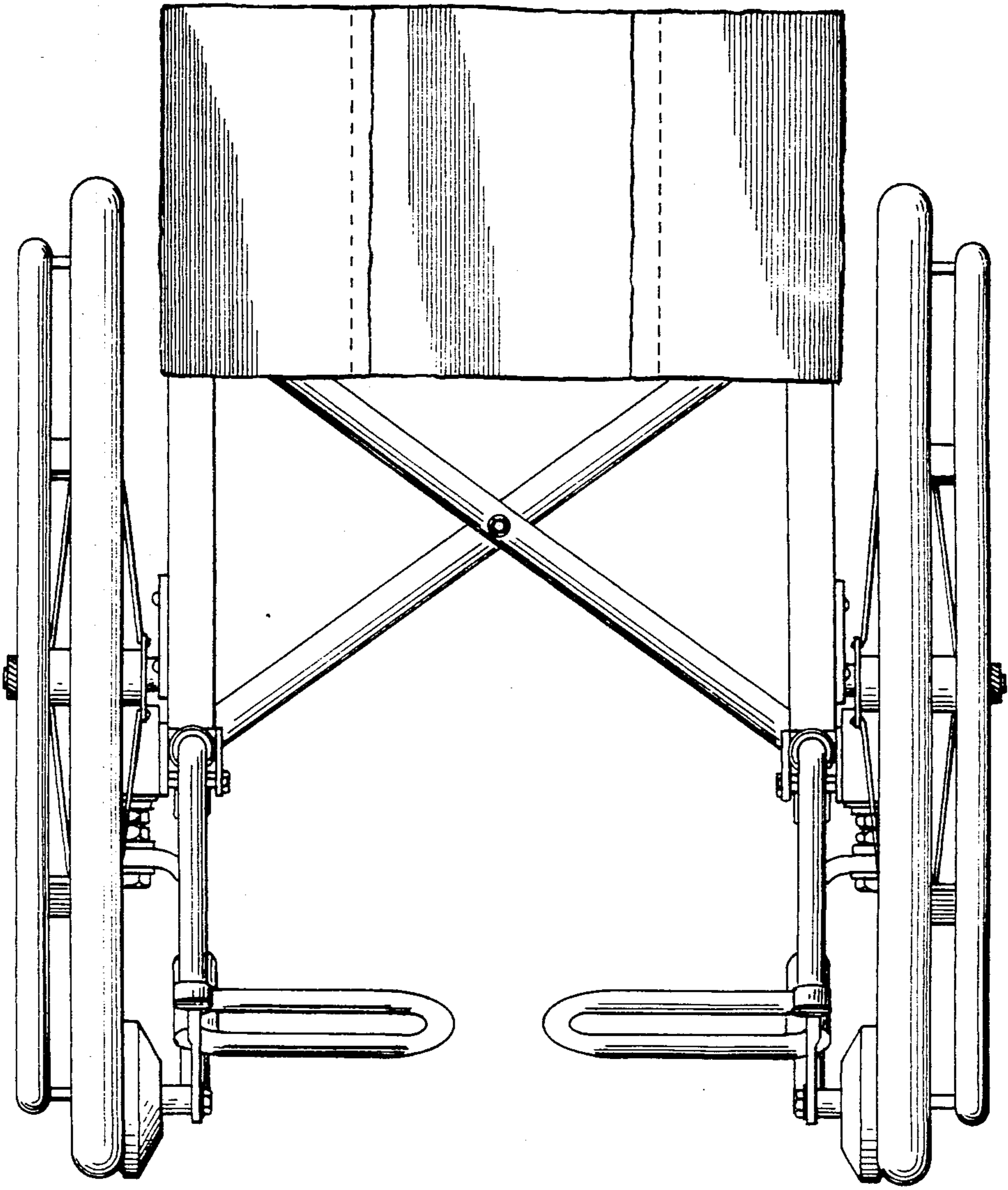


FIG. 4

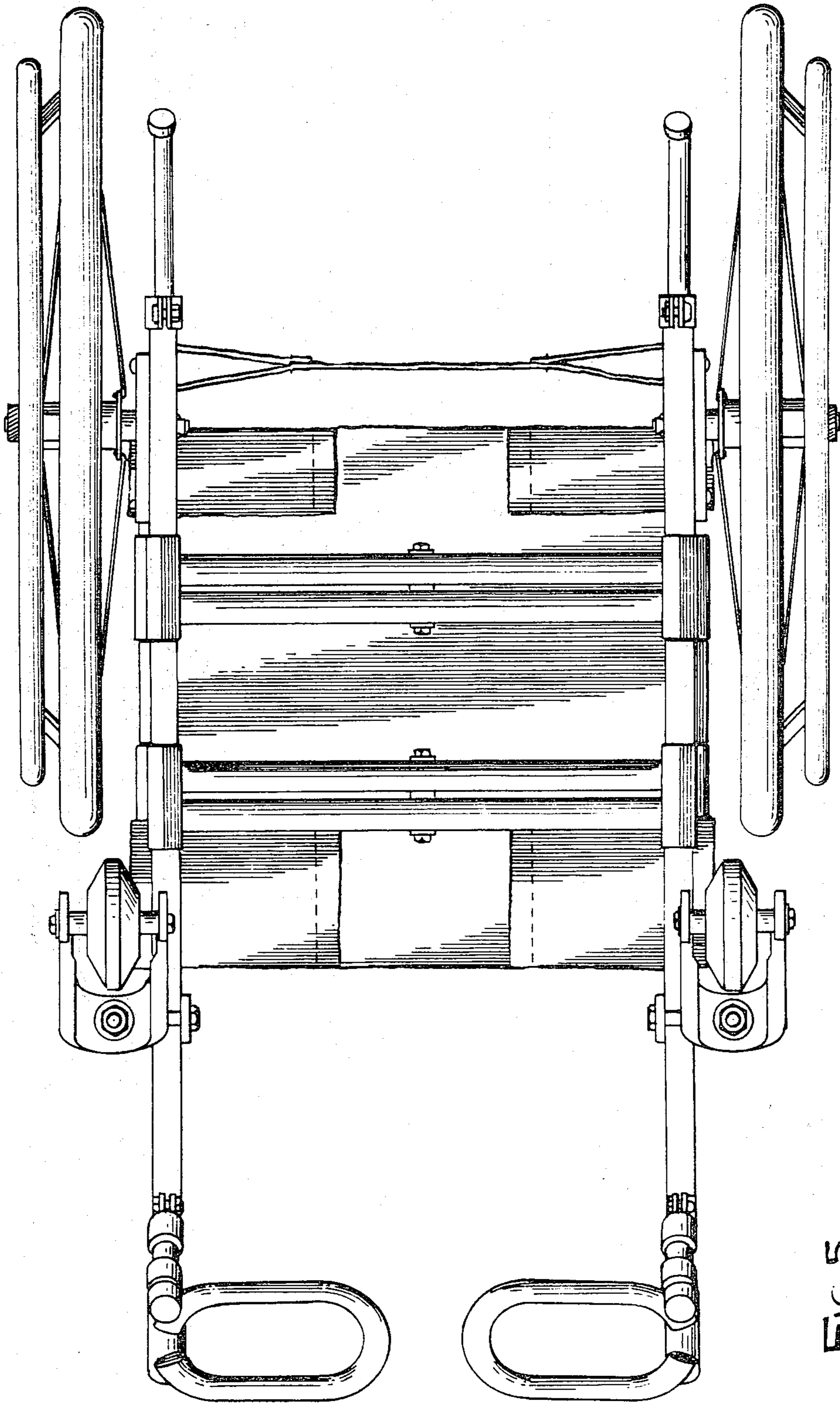


FIG. 5

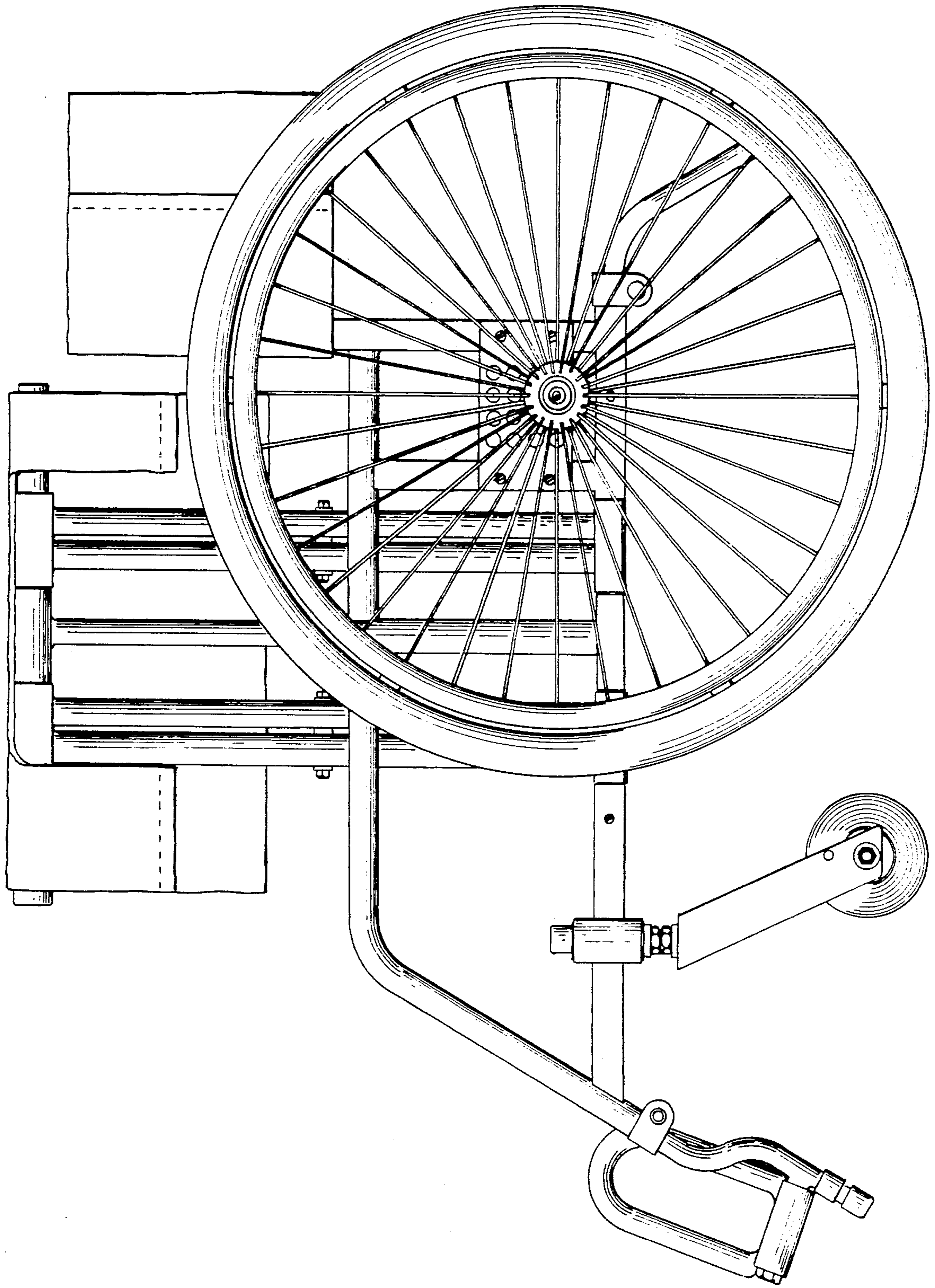


FIG. 6

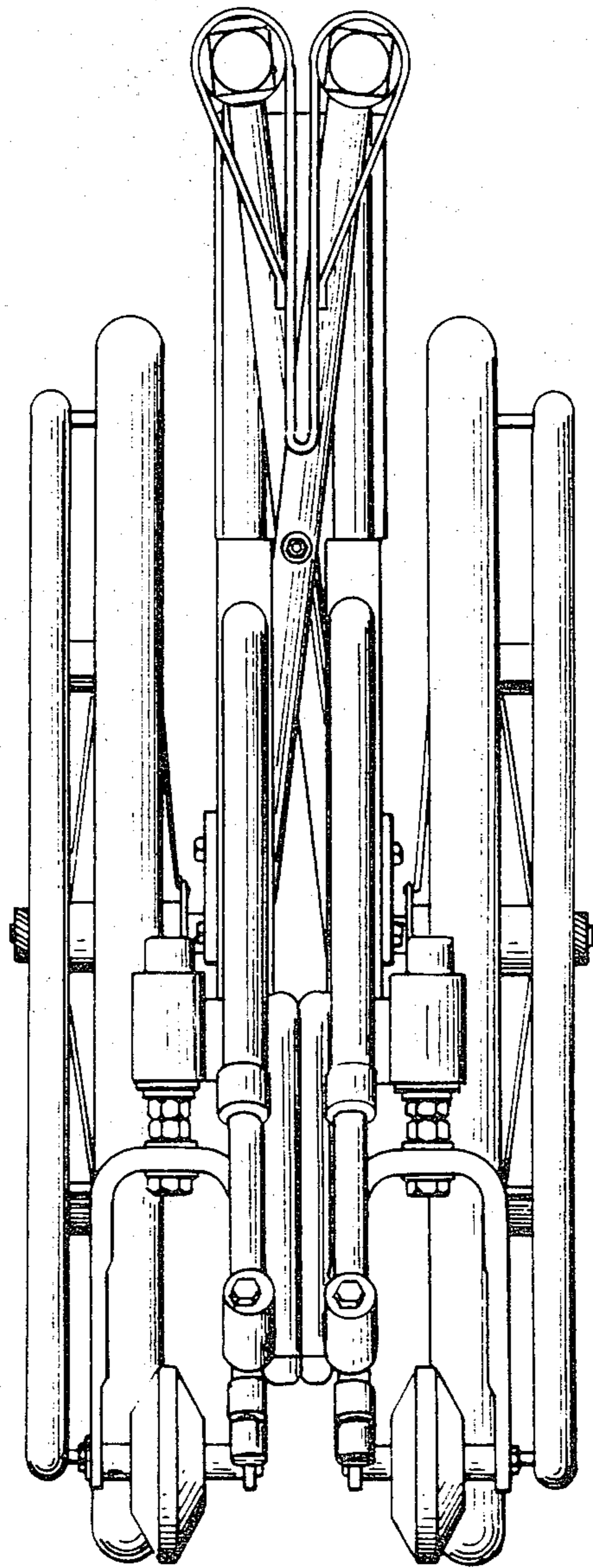


FIG. 7