

[54] TRICYCLE

[76] Inventor: Martin Blumenthal, 99 Longview Ave., Chatham, N.J. 07928

[**] Term: 14 Years

[21] Appl. No.: 332,494

[22] Filed: Dec. 21, 1981

[52] U.S. Cl. D12/112

[58] Field of Search D12/112, 178, 205; 280/282, 87.01, 87.02 R

[56] References Cited

U.S. PATENT DOCUMENTS

D. 203,759	2/1966	Ryan et al.	D21/80
D. 242,441	11/1976	Nagle	D12/112
D. 263,944	4/1982	Arad et al.	D12/112
3,834,249	9/1974	Bothwell	D12/178

OTHER PUBLICATIONS

Toys & Novelties, 5/47, p. 30, Front Wheel on Tricycle.

Primary Examiner—James M. Gandy
Attorney, Agent, or Firm—George E. Kersey

[57] CLAIM

The ornamental design for a tricycle, as shown and described.

DESCRIPTION

FIG. 1 is a perspective view of a tricycle showing my new design;

FIG. 2 is a side elevational view thereof, the opposite side being a mirror image of that shown;

FIG. 3 is a top plan view thereof;

FIG. 4 is a front elevational view thereof;

FIG. 5 is a rear elevational view thereof; and

FIG. 6 is a bottom plan view thereof.

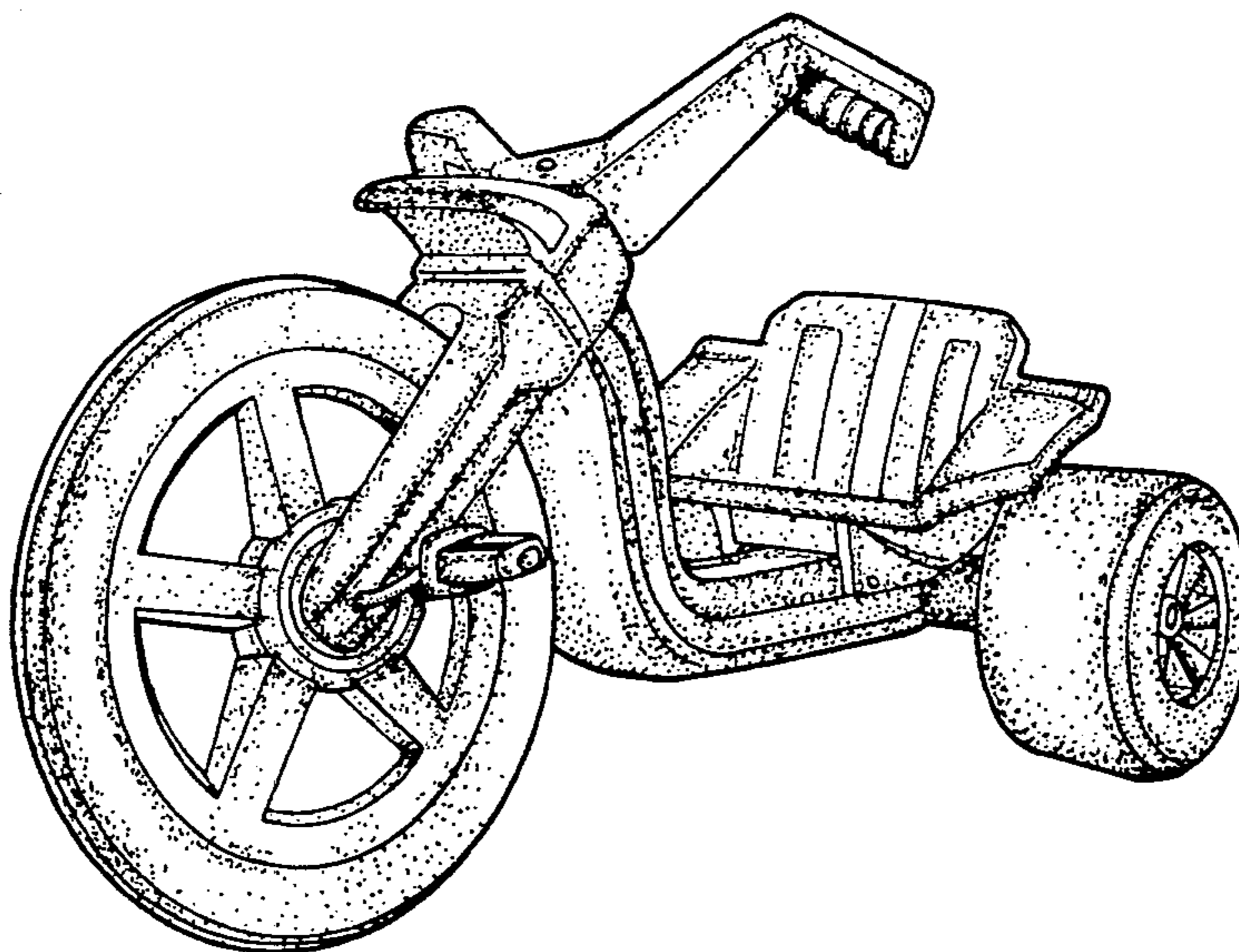


FIG. 1

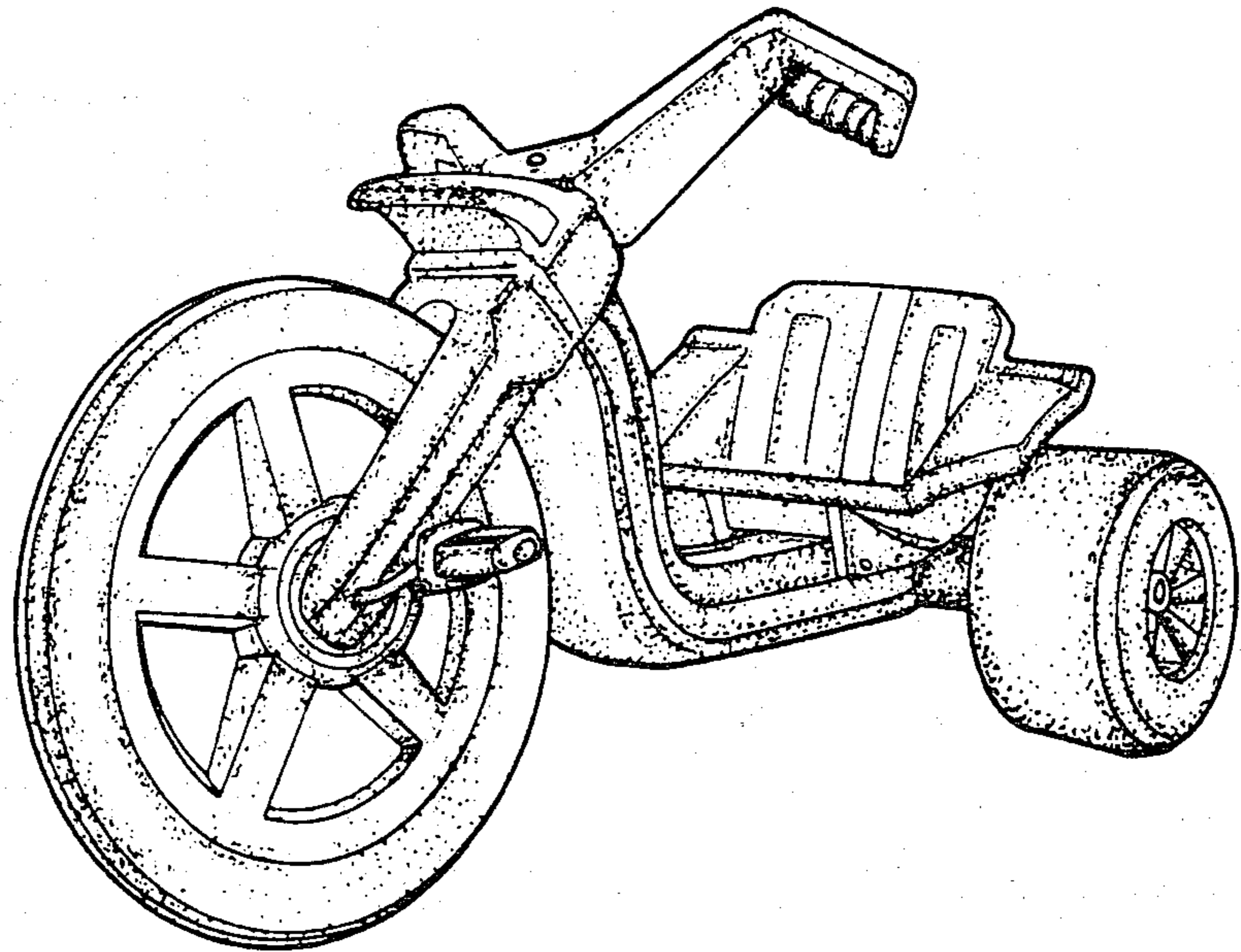


FIG. 2

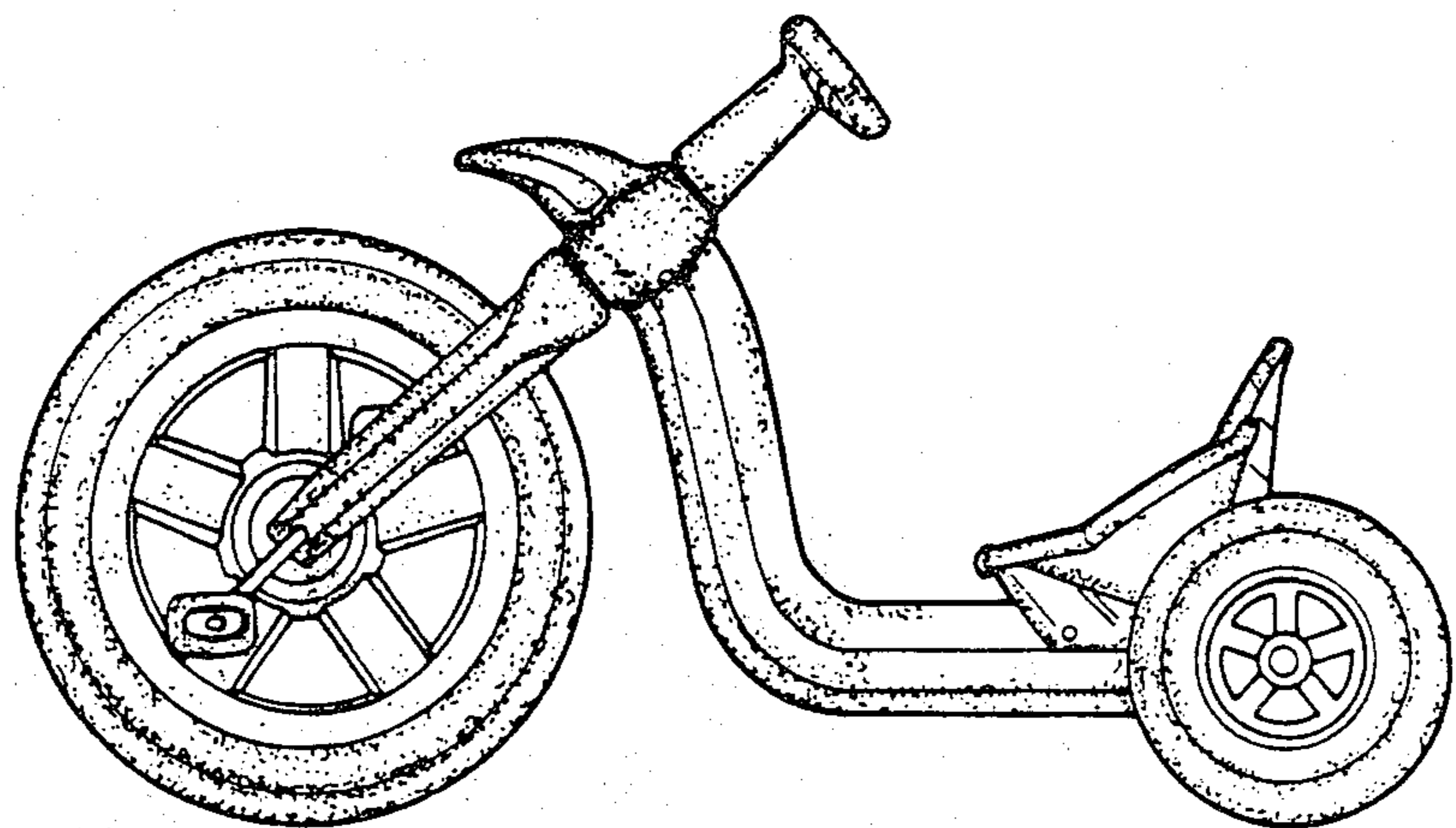


FIG. 3

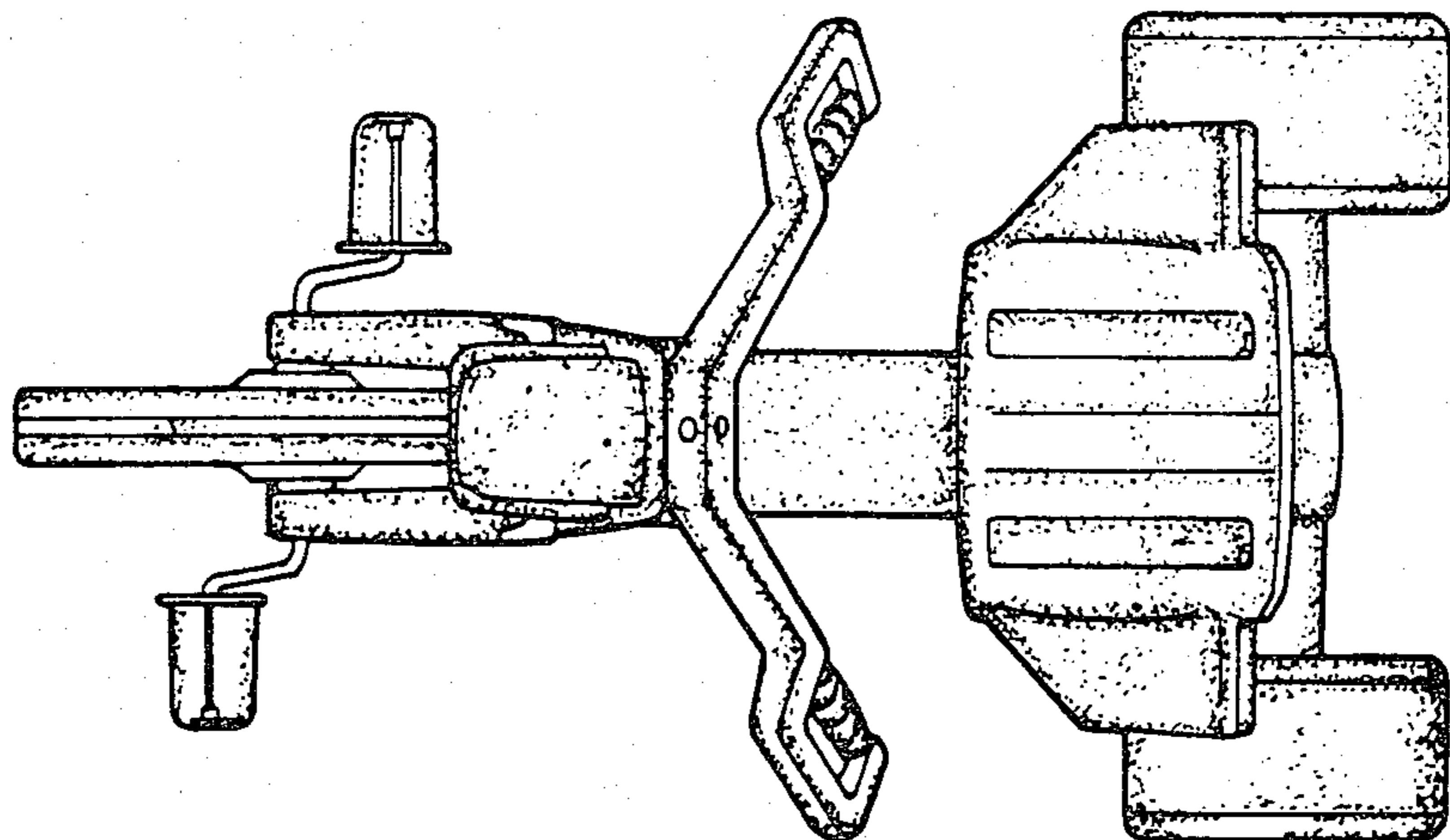


FIG. 4

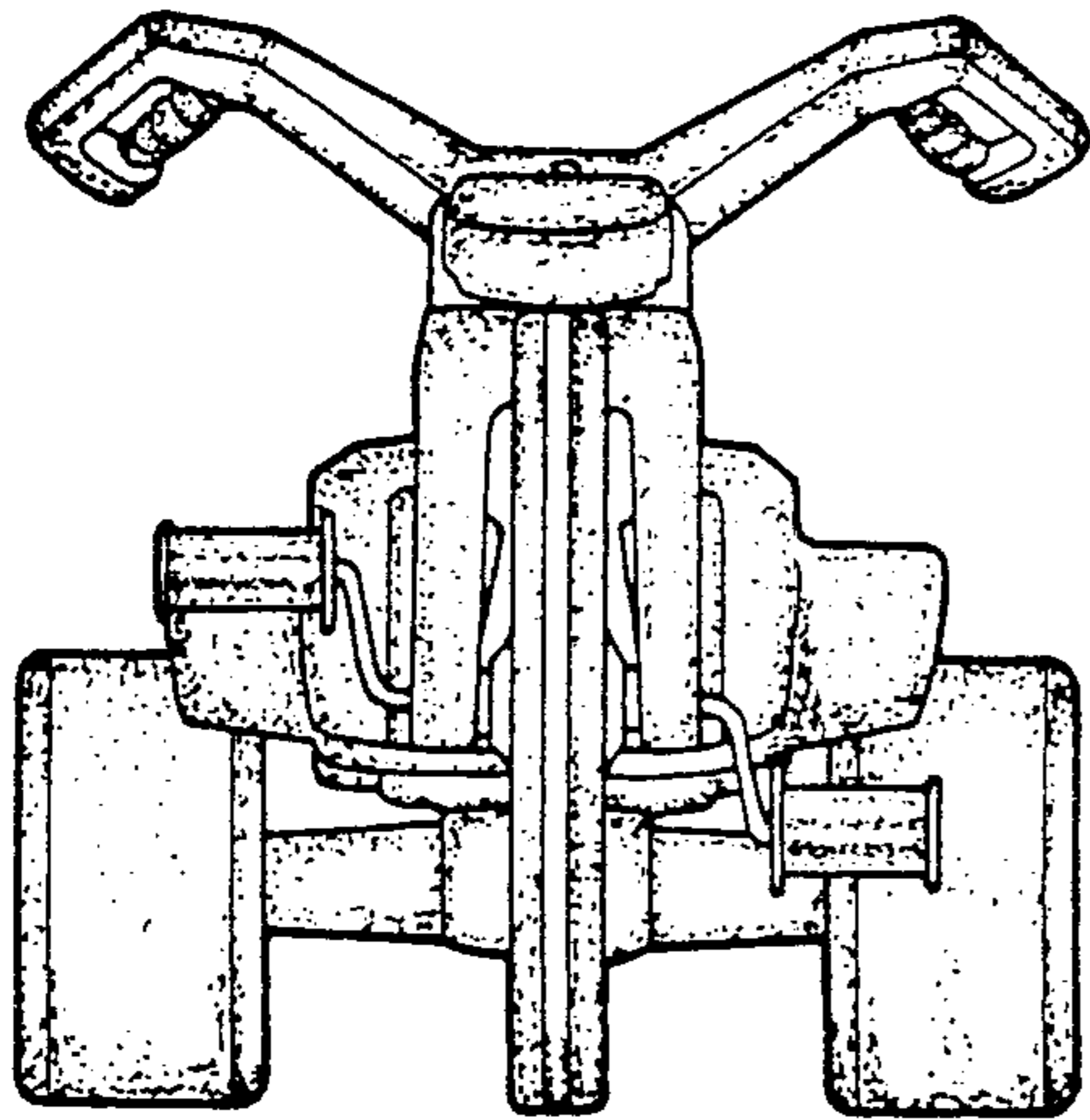


FIG. 5

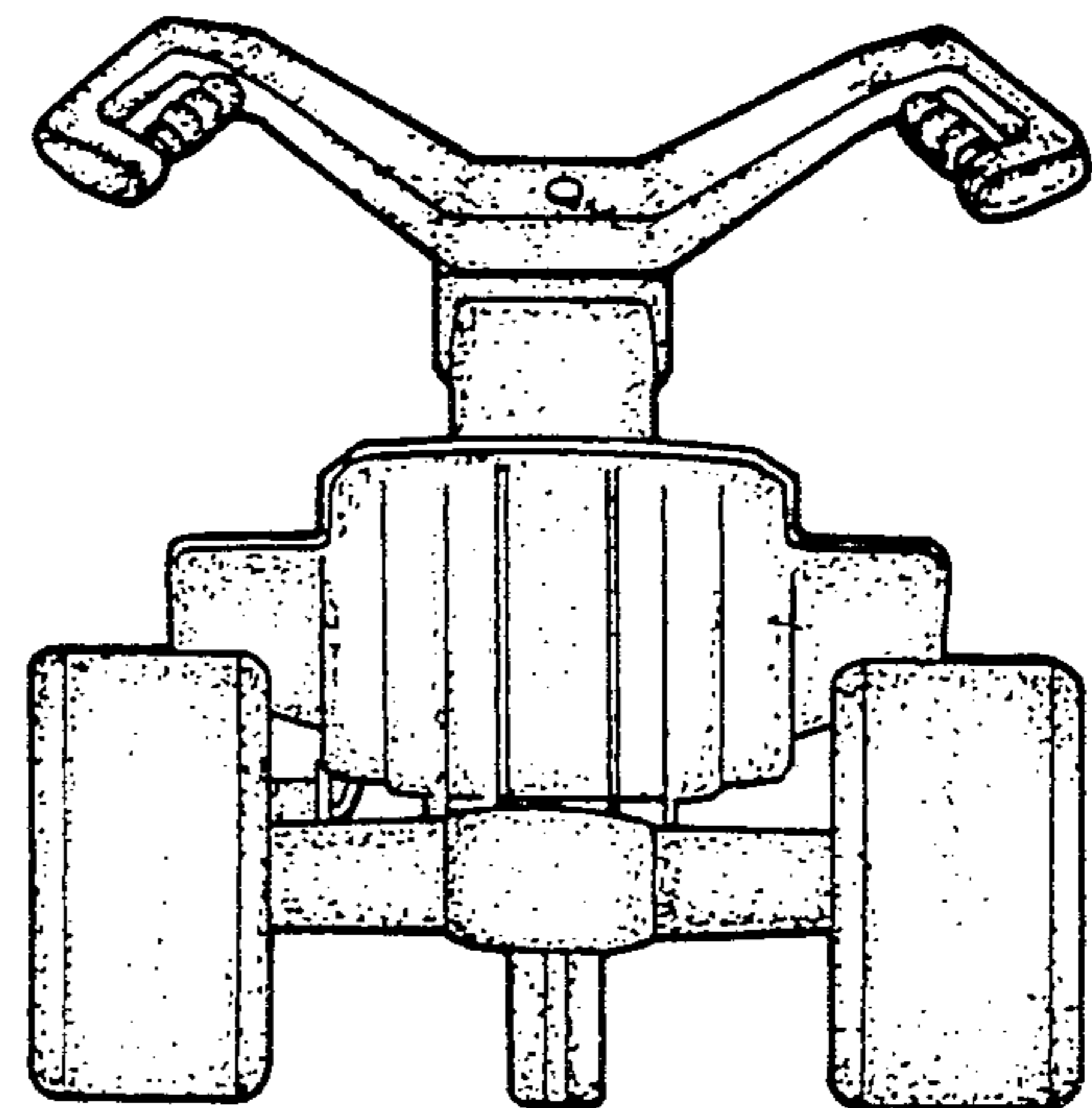


FIG. 6

