

[54] **DESK SET OR SIMILAR ARTICLE HAVING A BI-CYLINDRIC FIGURINE AND FIGURINE HOLDER**

[76] Inventor: **Thomas M. Farrell**, 678 Hermose Ave., Cincinnati, Ohio 45238

[**] Term: **14 Years**

[21] Appl. No.: **404,577**

[22] Filed: **Aug. 2, 1982**

[52] U.S. Cl. **D11/131; D21/107; 434/259**

[58] **Field of Search** **D11/131, 132, 140, 157, D11/184, 121; D19/96, 97; 428/13-16; D10/46.1; D9/341; D21/107; 273/157 R, 273; 434/259**

[56] **References Cited**

U.S. PATENT DOCUMENTS

D. 239,178	3/1976	Martin	D11/121
2,542,948	2/1951	Scherf	434/259
3,479,751	11/1969	Welbourn	434/259
4,163,560	10/1977	Solomon	434/259 X

Primary Examiner—Louis S. Zarfes

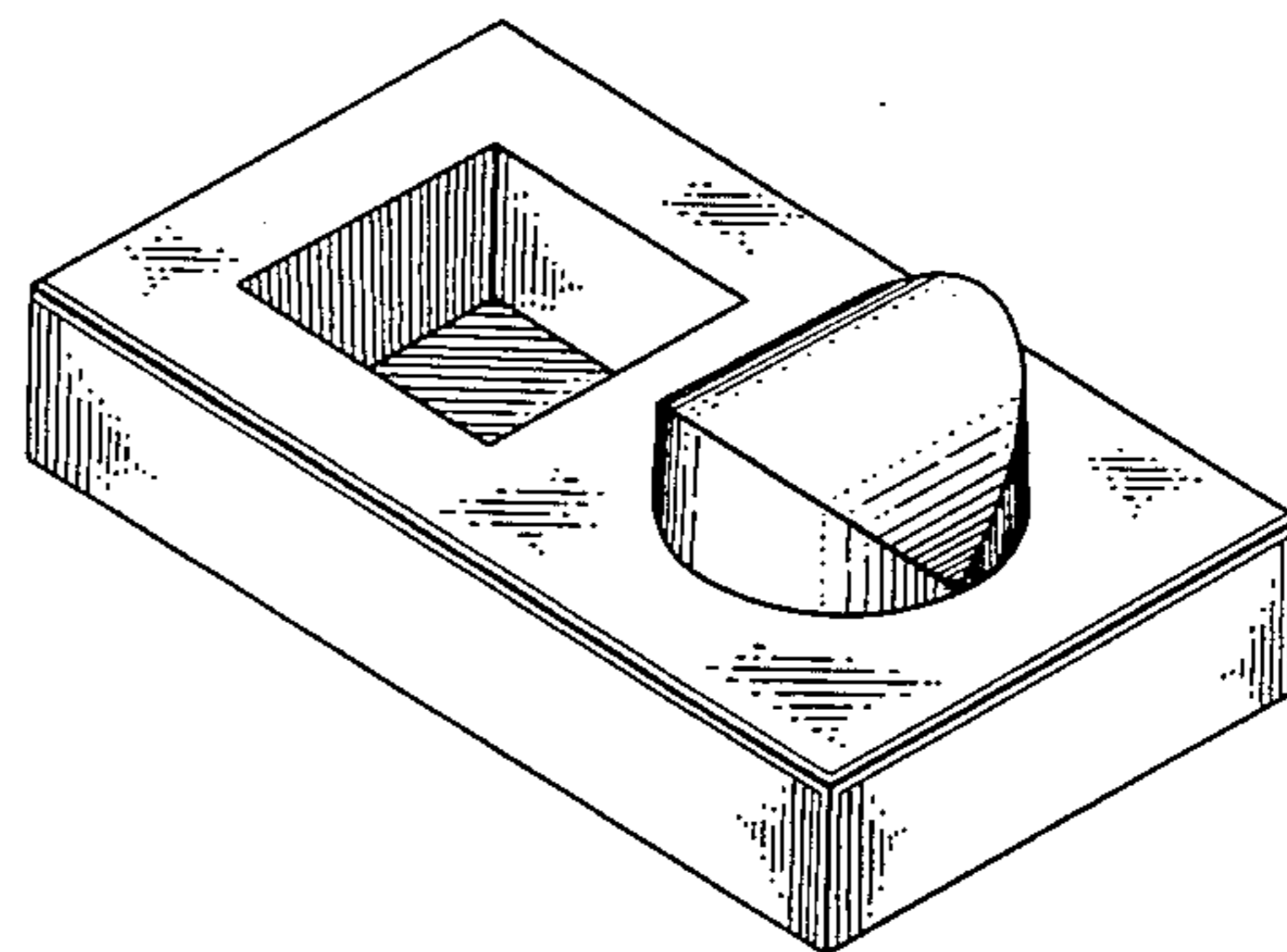
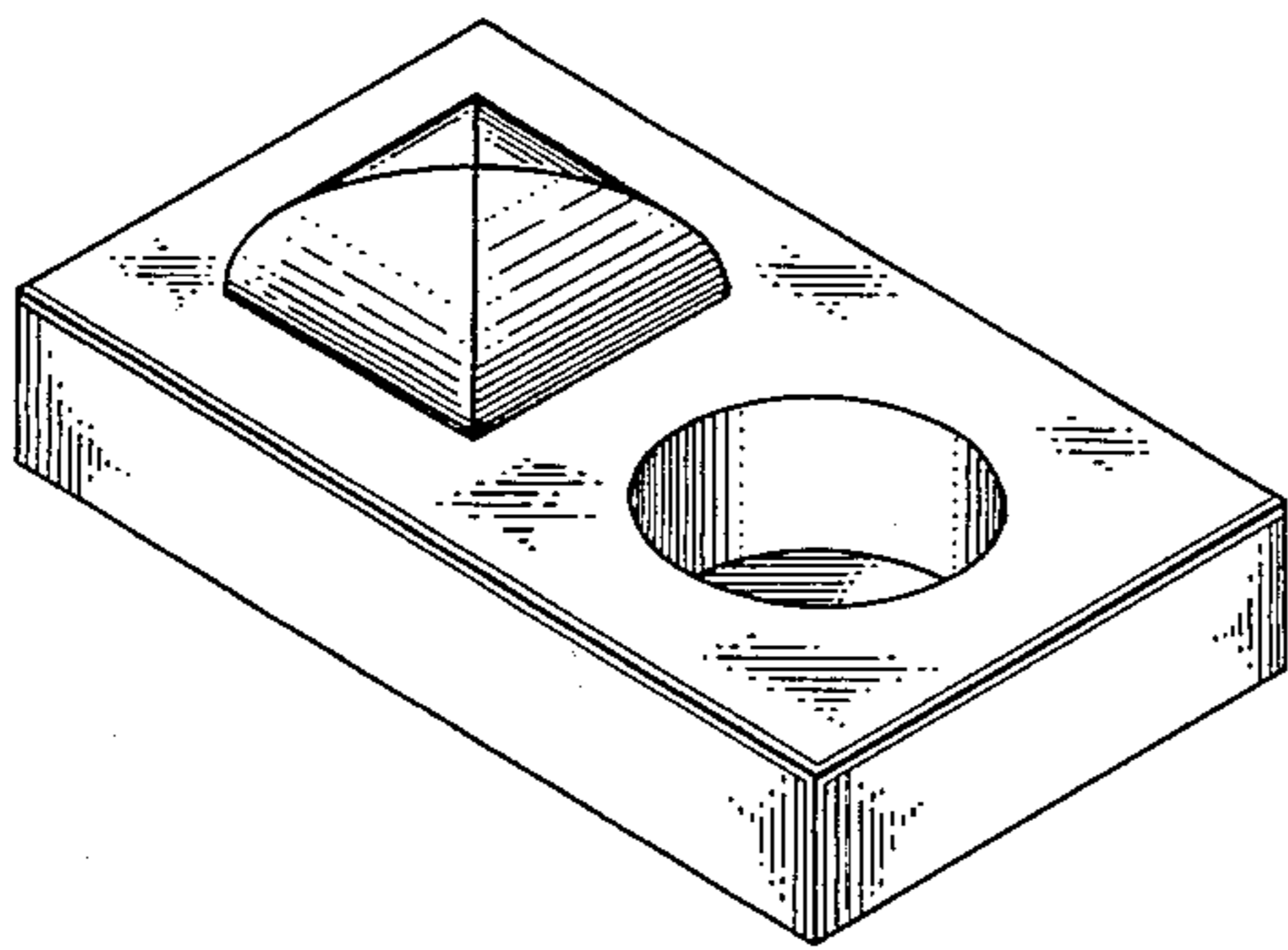
Attorney, Agent, or Firm—Thomas M. Farrell

[57] **CLAIM**

The ornamental design for a novelty desk ornament or similar article, as shown and described.

DESCRIPTION

FIG. 1 is an isometric view of a novelty desk ornament or similar article showing my new design; FIG. 2 is an isometric view thereof in alternate position; FIG. 3 is a top plan view of the novelty desk ornament or similar article as in FIG. 1; FIG. 4 is a front elevational view thereof; FIG. 5 is a side elevational view thereof; FIG. 6 is a top plan view of the novelty desk ornament or similar article as in FIG. 2; FIG. 7 is a front elevational view thereof; FIG. 8 is a side elevational view thereof; FIG. 9 is a top plan view of the figurine removed from the novelty desk ornament or similar article; FIG. 10 is a front elevational view thereof; The bottom plan view thereof is identical to the top plan view; and The rear, left, and right elevational views thereof are identical to the front elevational view; FIG. 11 is a top plan view of the base of the novelty desk ornament or similar article with figurine removed; FIG. 12 is a front elevational view of the base with partial broken-away section; FIG. 13 is a right side elevational view of the base; FIG. 14 is a bottom plan view thereof; The rear elevational view thereof is identical to the front elevational view; and The left side elevational view thereof is identical to the right side elevational view.



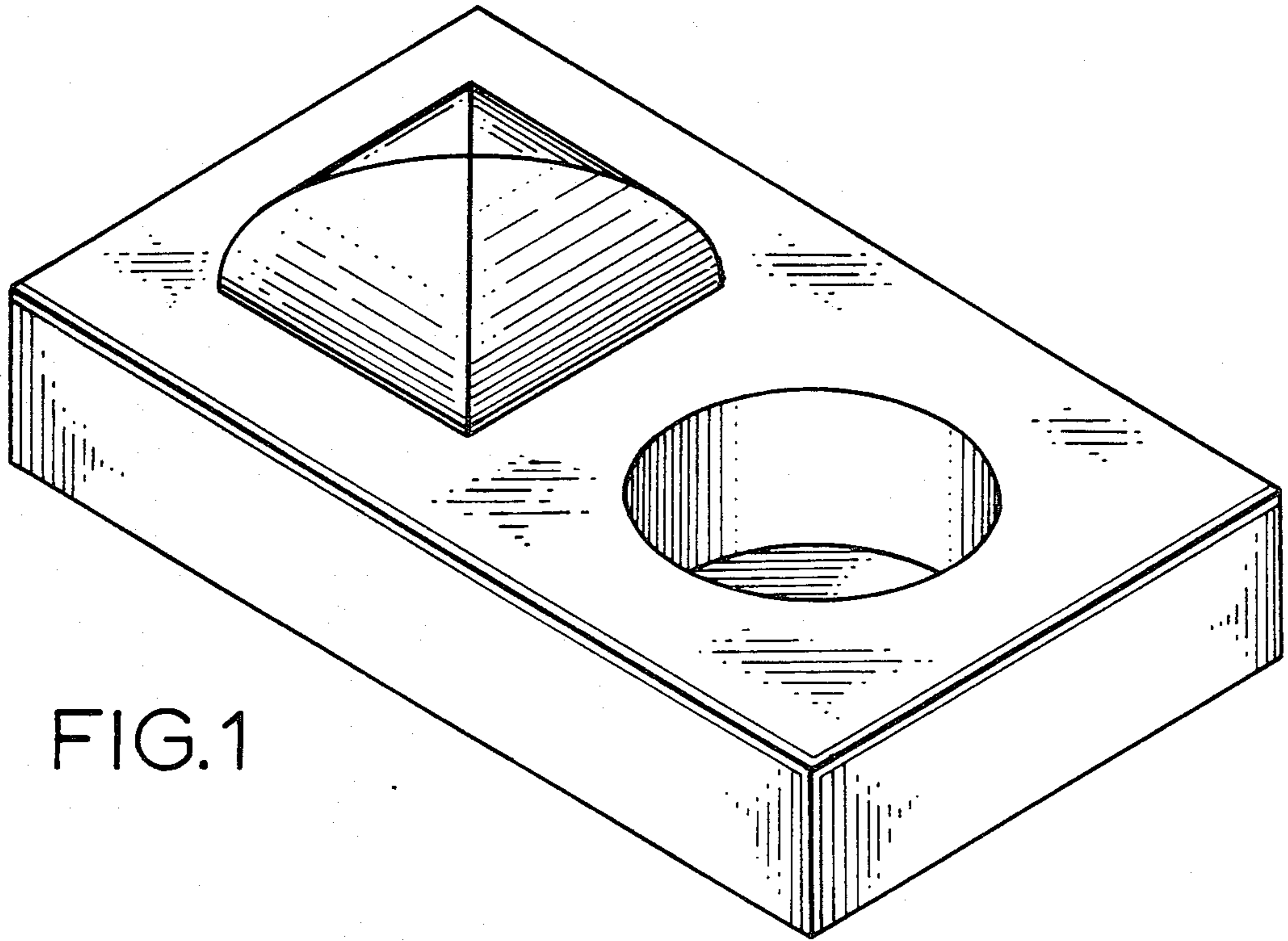


FIG. 1

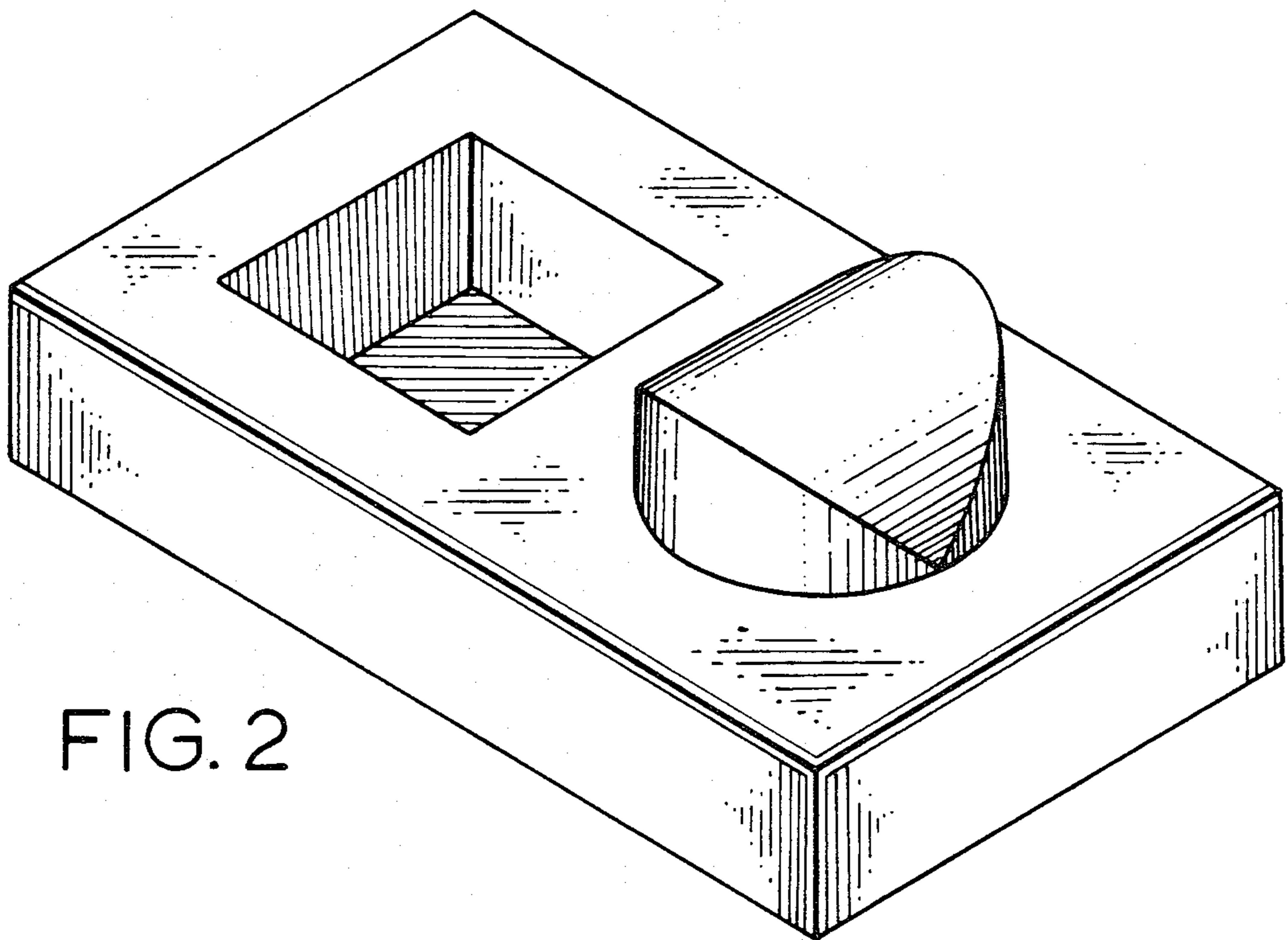


FIG. 2

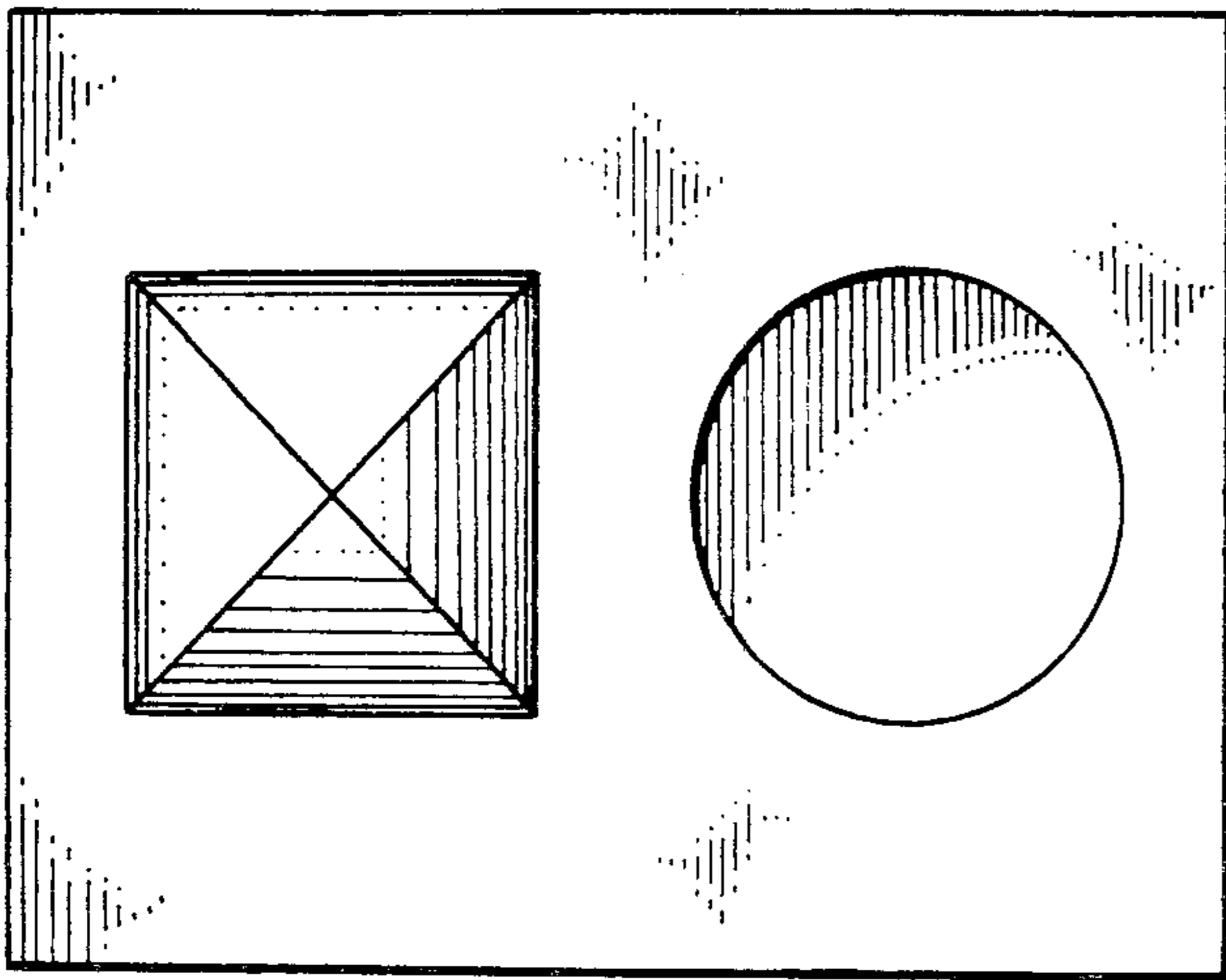


FIG. 3

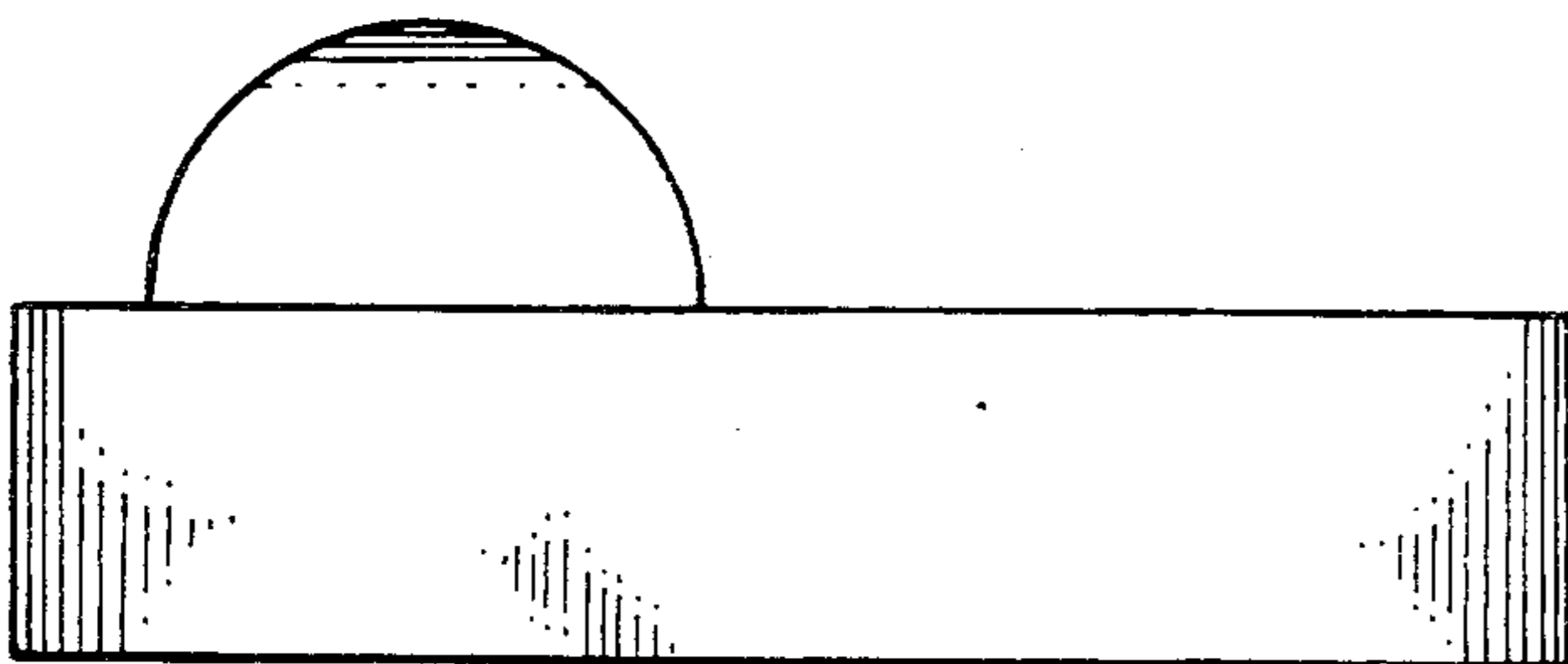


FIG. 4

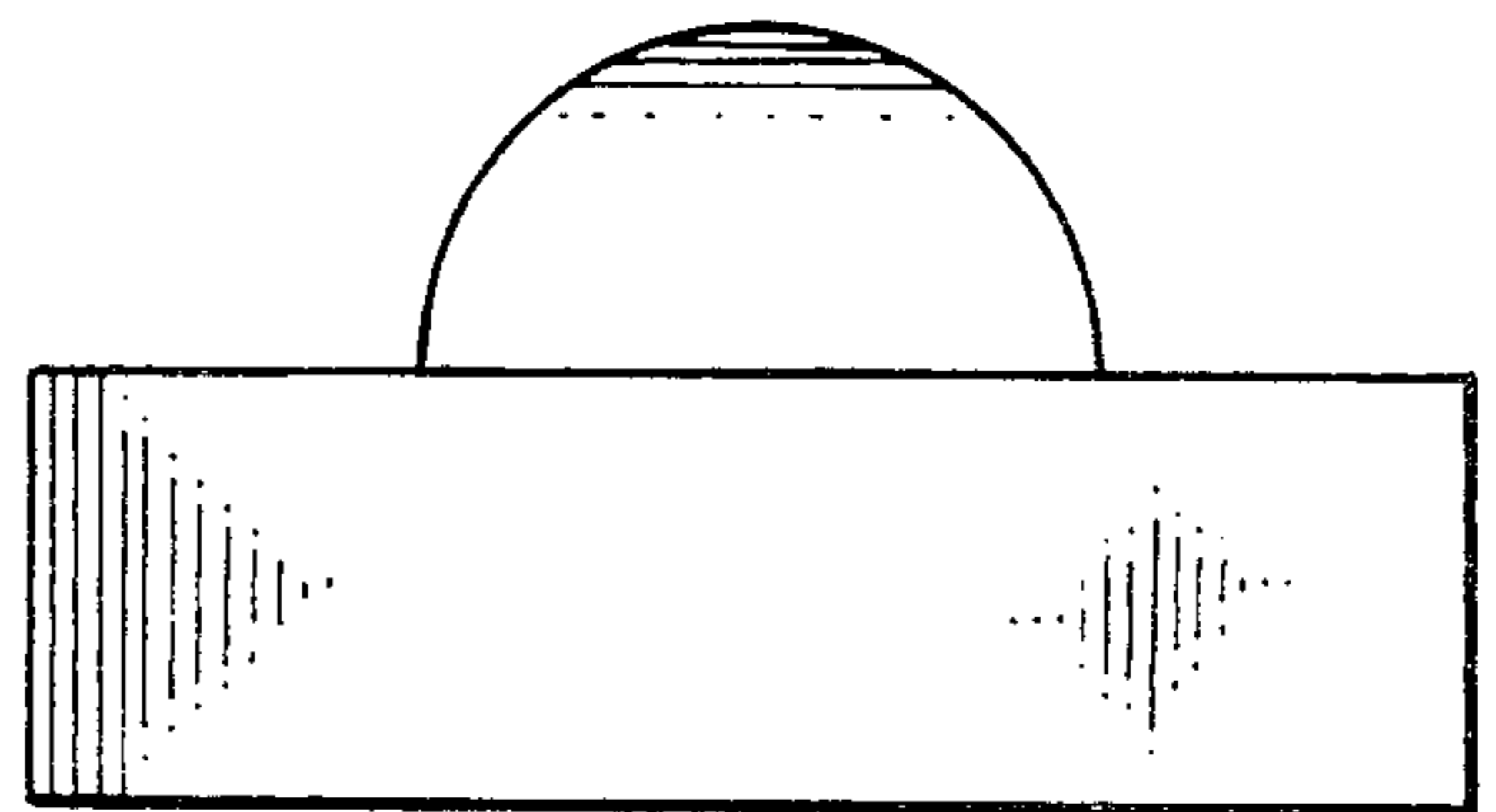


FIG. 5

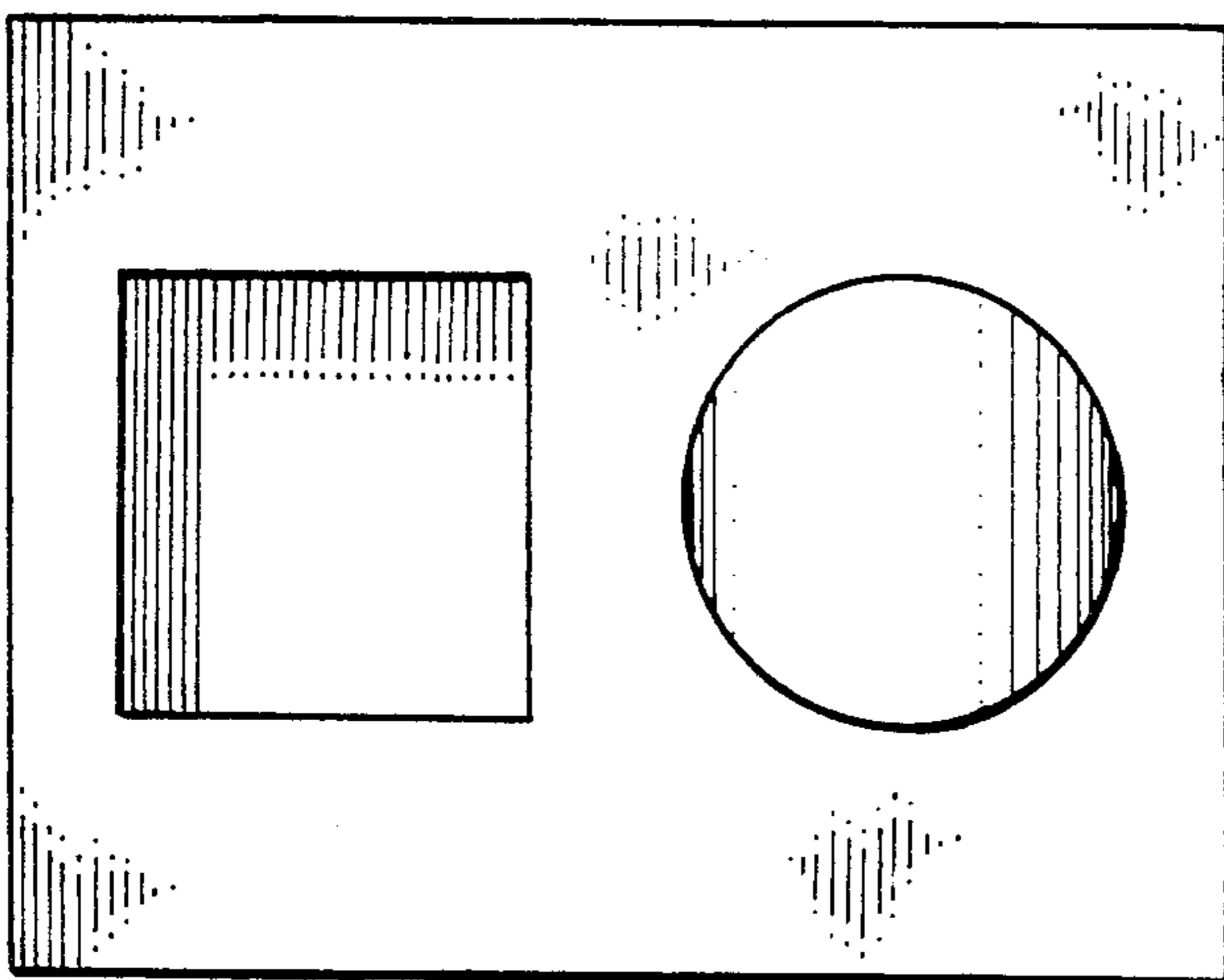


FIG. 6

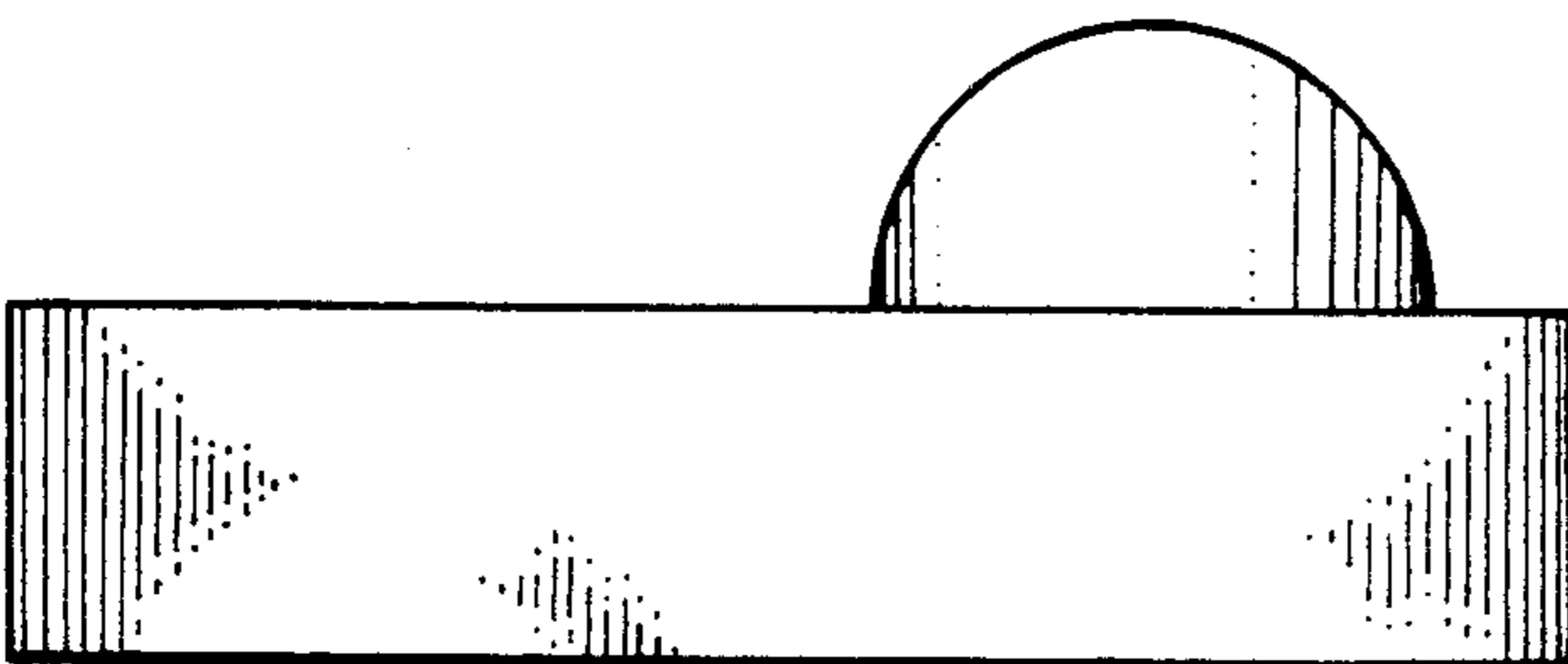


FIG. 7

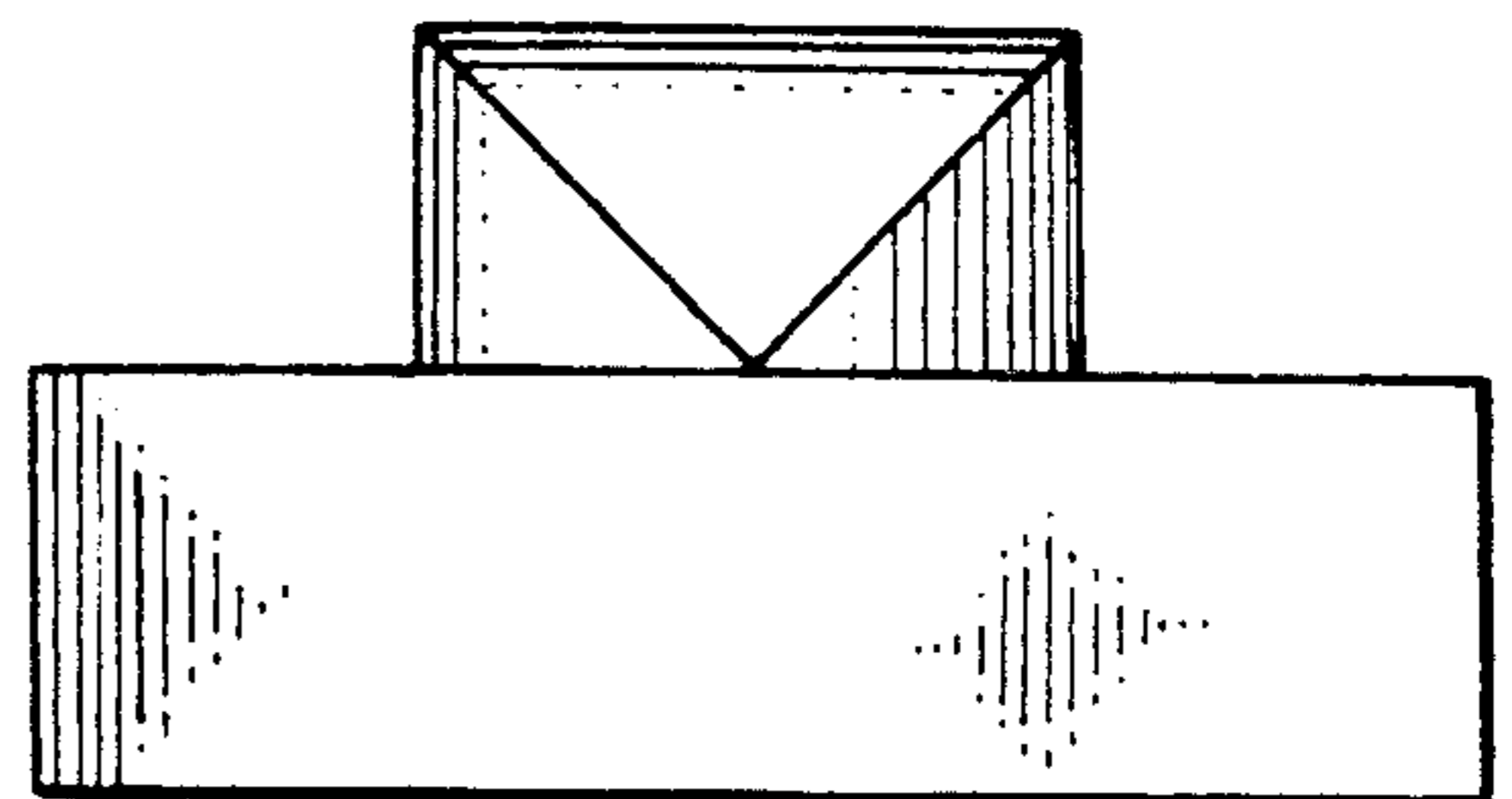


FIG. 8

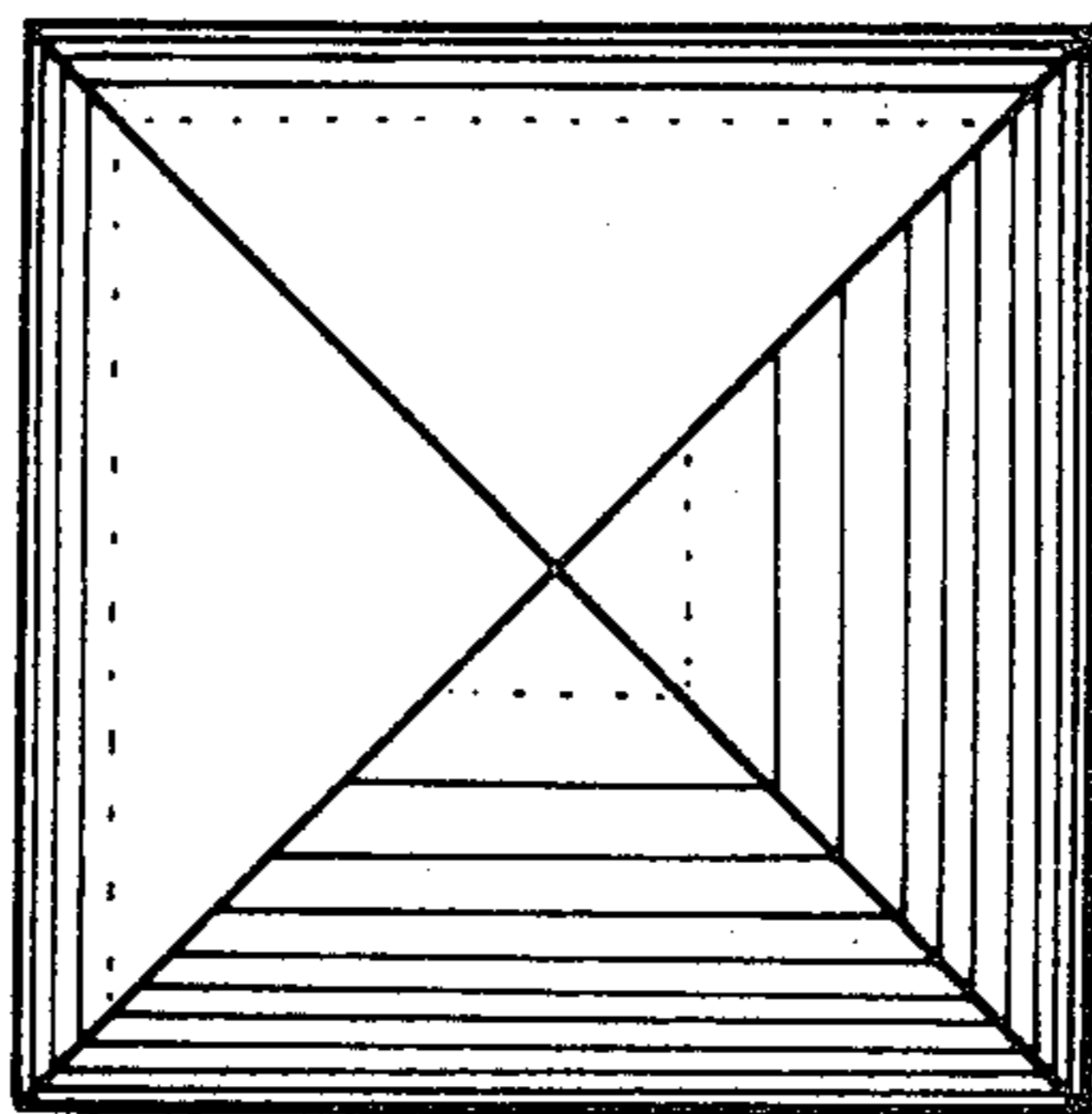


FIG. 9

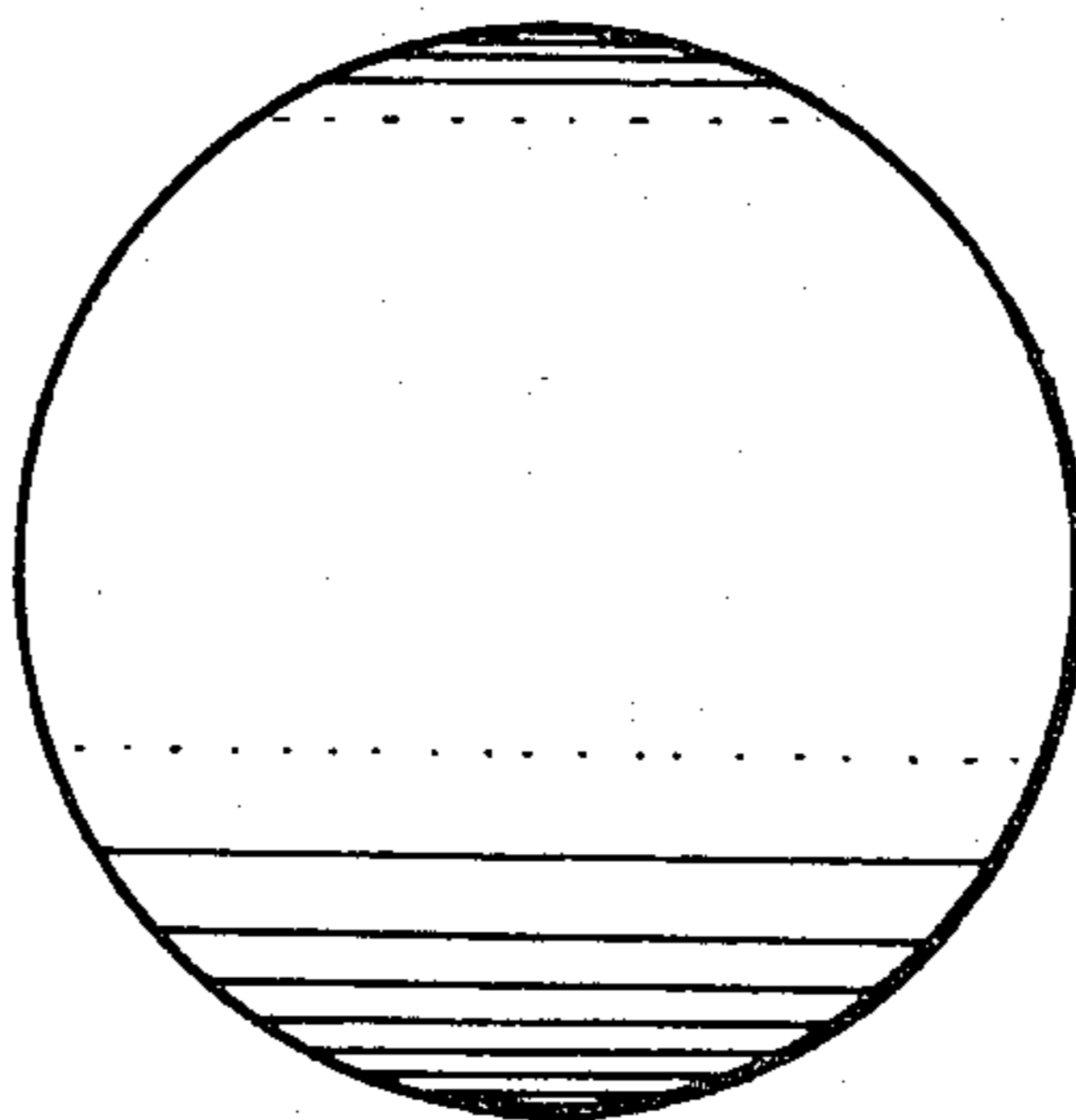


FIG. 10

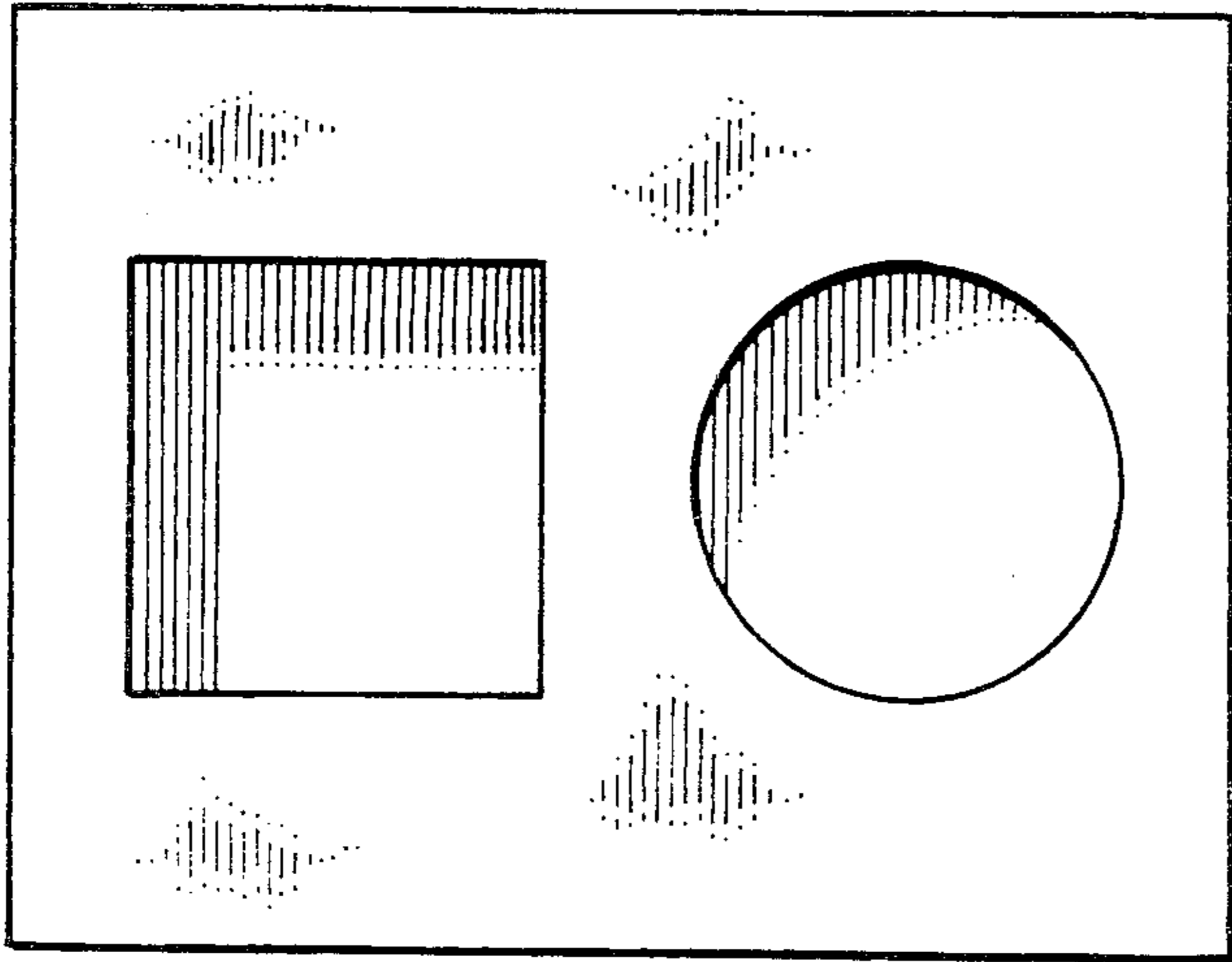


FIG. 11

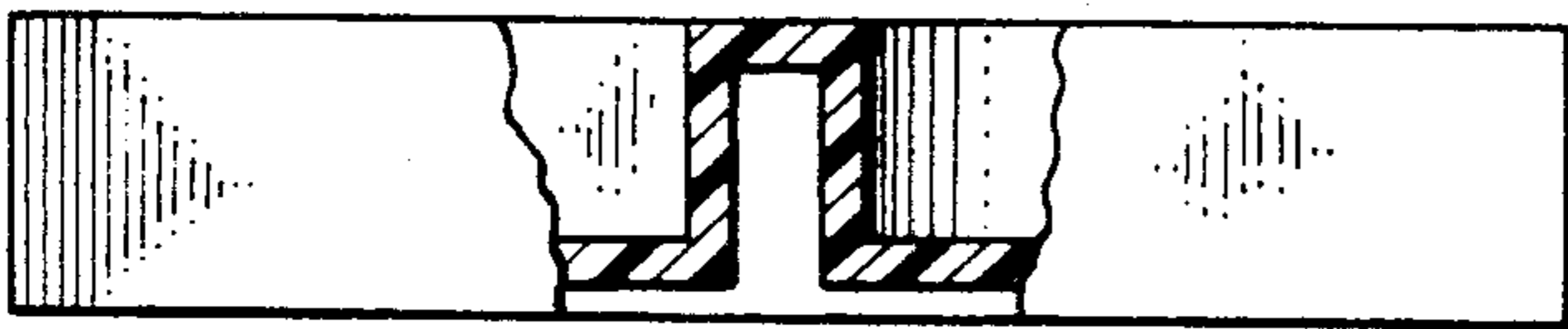


FIG. 12

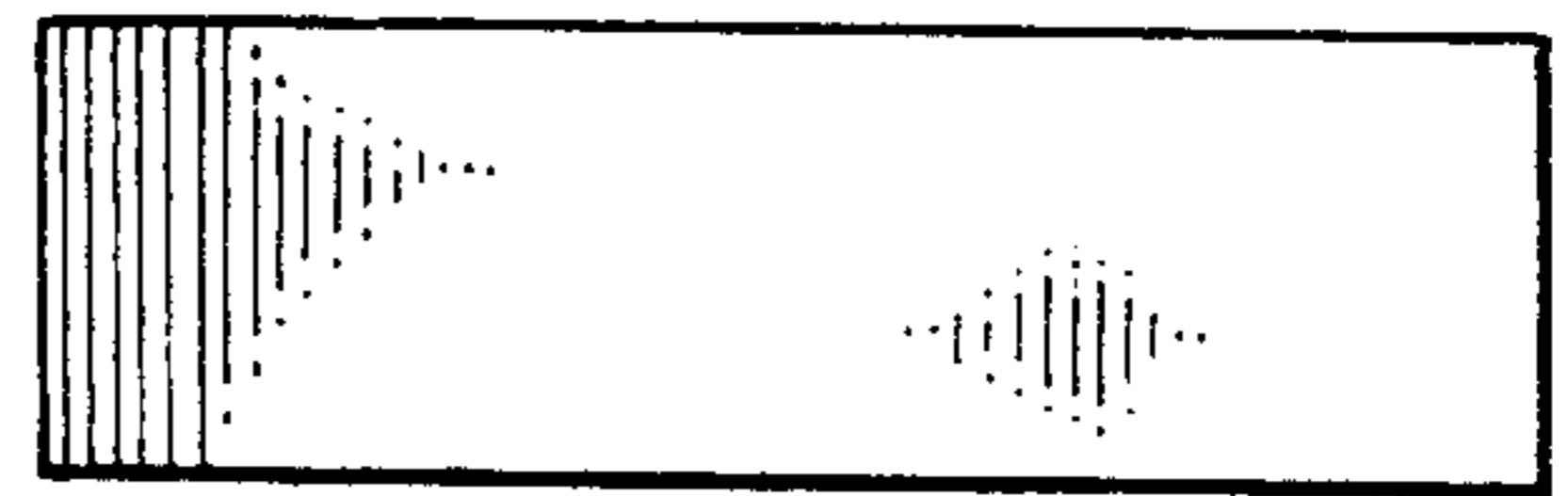


FIG. 13

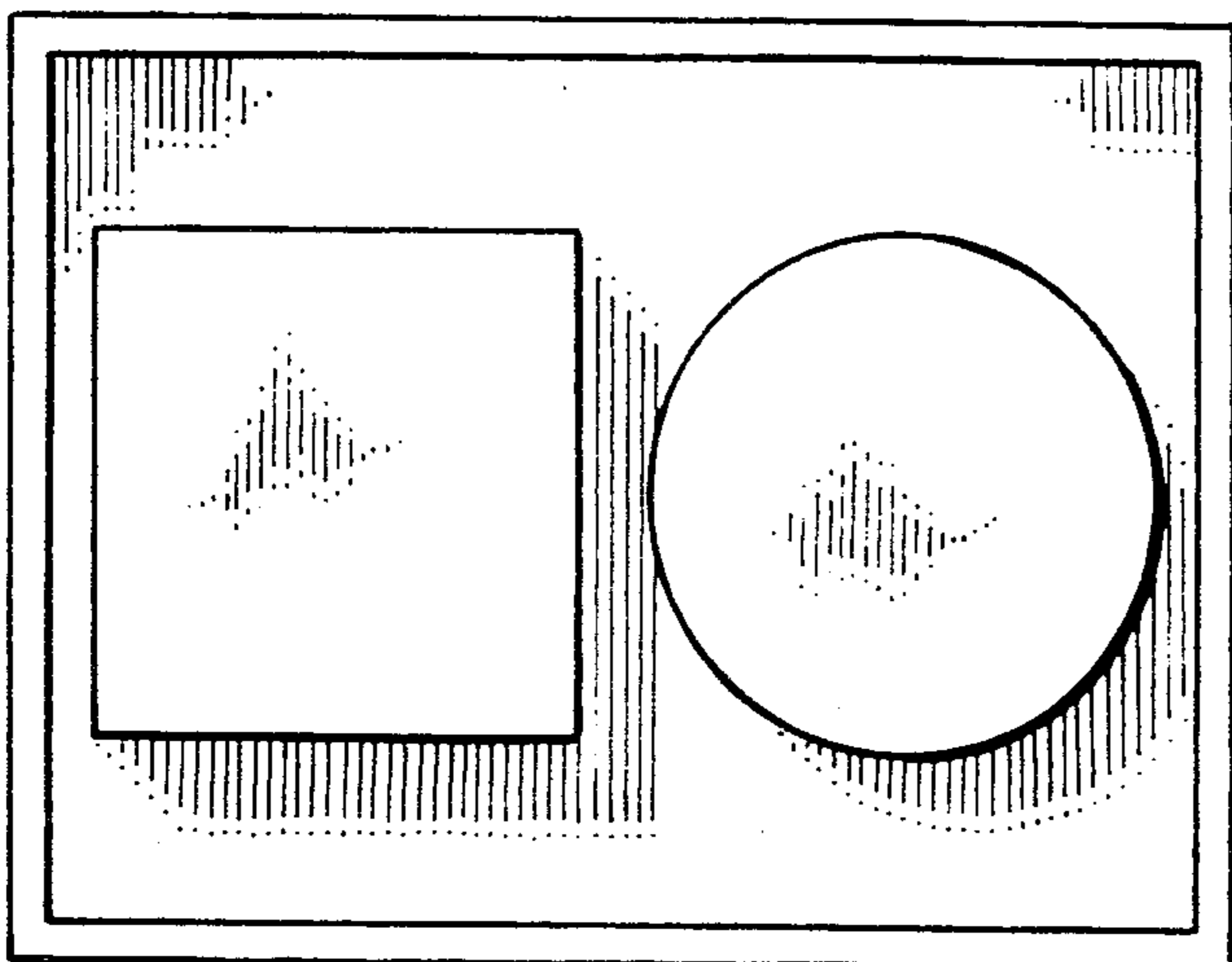


FIG. 14