

[54] COMBINED CLINICAL TEMPERATURE  
PROBE AND ELECTRODE

[75] Inventor: Wallace L. Knute, Del Mar, Calif.

[73] Assignee: Camino Laboratories, San Diego,  
Calif.

[\*\*] Term: 14 Years

[21] Appl. No.: 415,550

[22] Filed: Sep. 7, 1982

[52] U.S. Cl. .... D10/60

[58] Field of Search ..... D10/57, 60, 102, 103,  
D10/78; 374/179, 183, 185, 208, 209, 159

[56] References Cited

U.S. PATENT DOCUMENTS

D. 227,801	7/1973	Ouderwaal	.....	D10/60
D. 238,661	2/1976	Sagi	.....	D10/57
D. 250,753	1/1979	Turner	.....	D10/60
D. 254,725	4/1980	Rawson	.....	D10/78
D. 257,429	10/1980	Manno	.....	D10/60

D. 268,099	3/1983	Axelsson	.....	D10/57
2,002,532	5/1935	Flatley	.....	374/179 X
4,164,285	8/1979	Dorman	.....	206/306
4,453,835	6/1984	Clawson	.....	374/185

Primary Examiner—Nelson C. Holtje  
Attorney, Agent, or Firm—Fulwider, Patton, Rieber,  
Lee & Utecht

[57] CLAIM

The ornamental design for a combined clinical temperature probe and electrode, substantially as shown.

DESCRIPTION

FIG. 1 is a perspective view of a combined clinical temperature probe and electrode showing my new design;

FIG. 2 is a top plan view thereof;

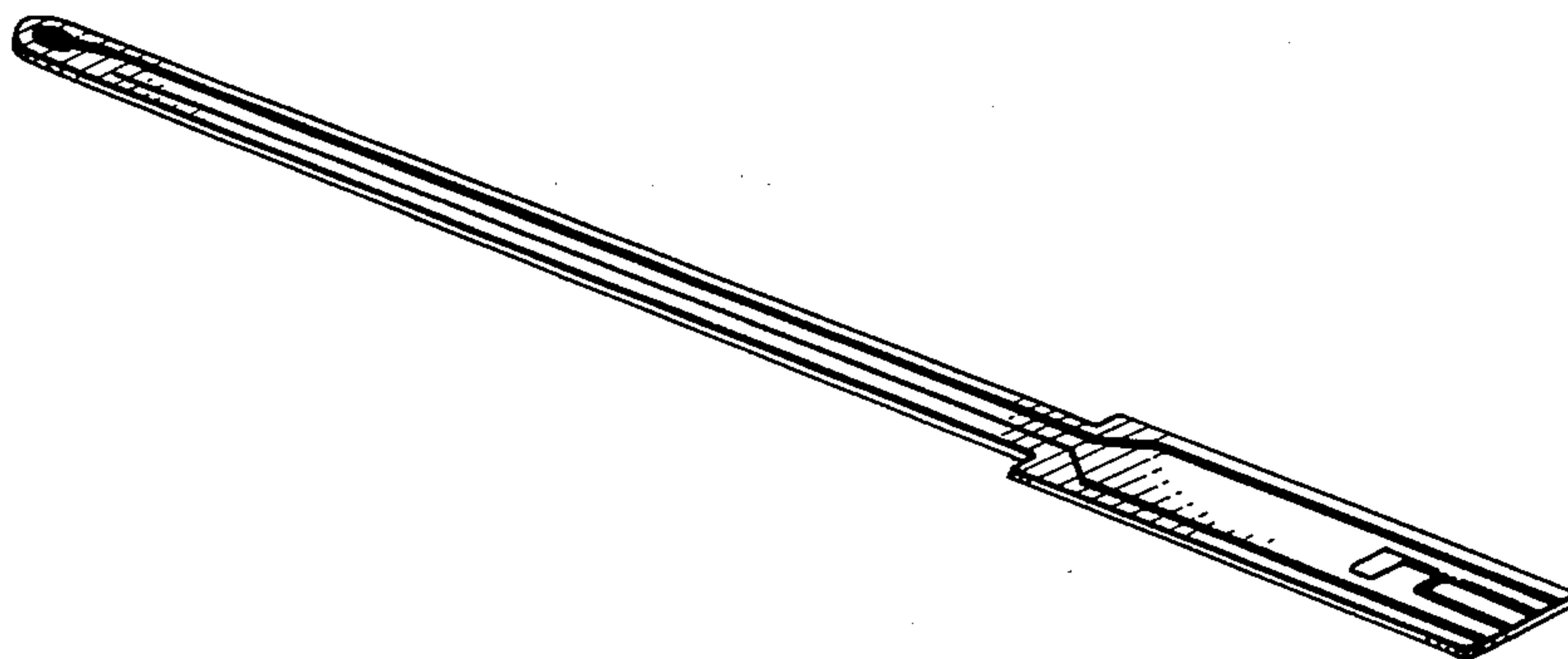
FIG. 3 is a right end elevational view thereof;

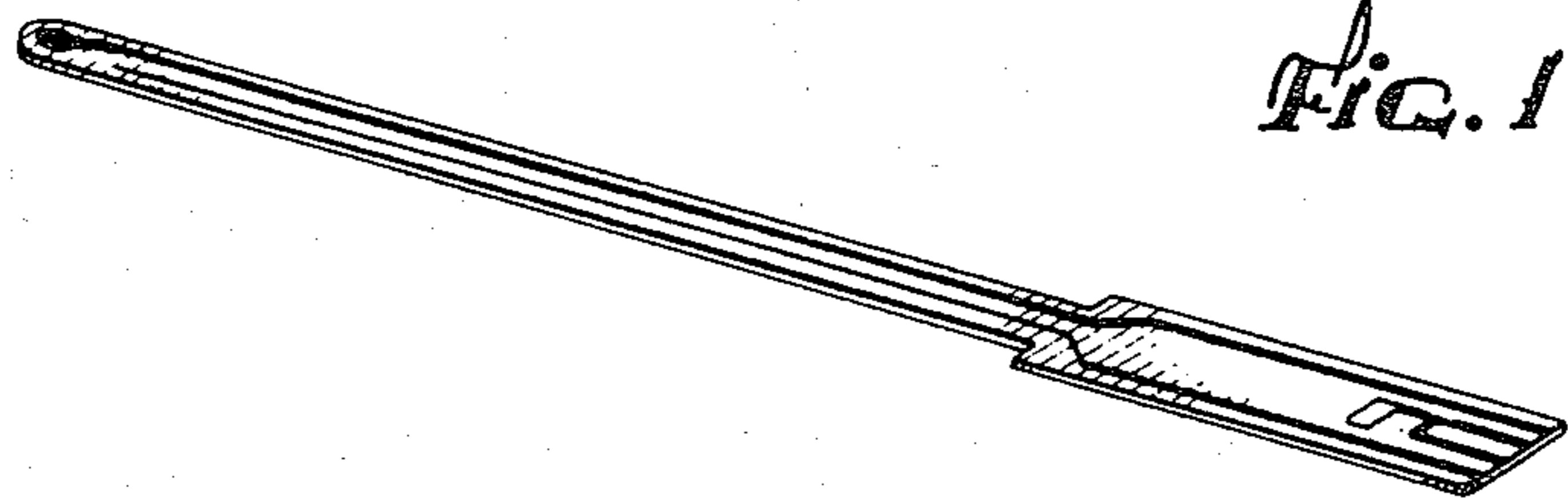
FIG. 4 is a left end elevational view thereof;

FIG. 5 is a front elevational view thereof;

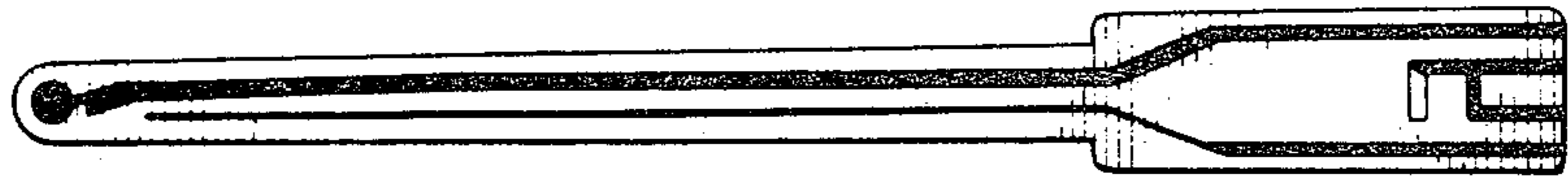
FIG. 6 is a bottom plan view thereof;

FIG. 7 is a rear elevational view thereof.

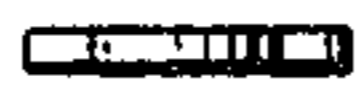




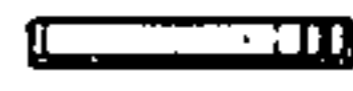
*Fig. 2*



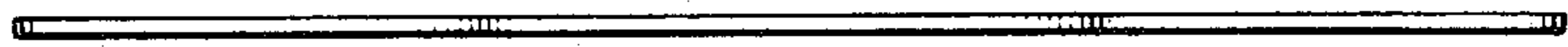
*Fig. 3*



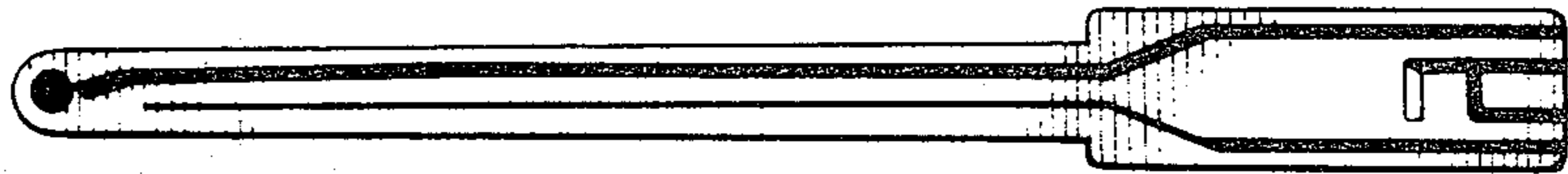
*Fig. 4*



*Fig. 5*



*Fig. 6*



*Fig. 7*

