

United States Patent [19]

Fortuna

[11] Patent Number: **Des. 277,937**

[45] Date of Patent: **** Mar. 12, 1985**

[54] **COMBINED CLOSURE AND POURING SPOUT THEREFOR**

[75] Inventor: **Vincent E. Fortuna**, Huntington Beach, Calif.

[73] Assignee: **Cosden Technology, Inc.**, Dallas, Tex.

[**] Term: **14 Years**

[21] Appl. No.: **493,840**

[22] Filed: **May 12, 1983**

[52] U.S. Cl. **D9/447**

[58] Field of Search **D9/447, 499, 434; 222/531, 537, 548, 207**

[56] **References Cited**

U.S. PATENT DOCUMENTS

- D. 113,301 2/1939 McKee D9/447
- D. 217,133 4/1970 O'Neill D9/447

- 3,104,039 9/1963 Dike 222/548
- 3,129,860 4/1964 Foster 222/548
- 3,561,648 2/1971 Humphrey 222/207

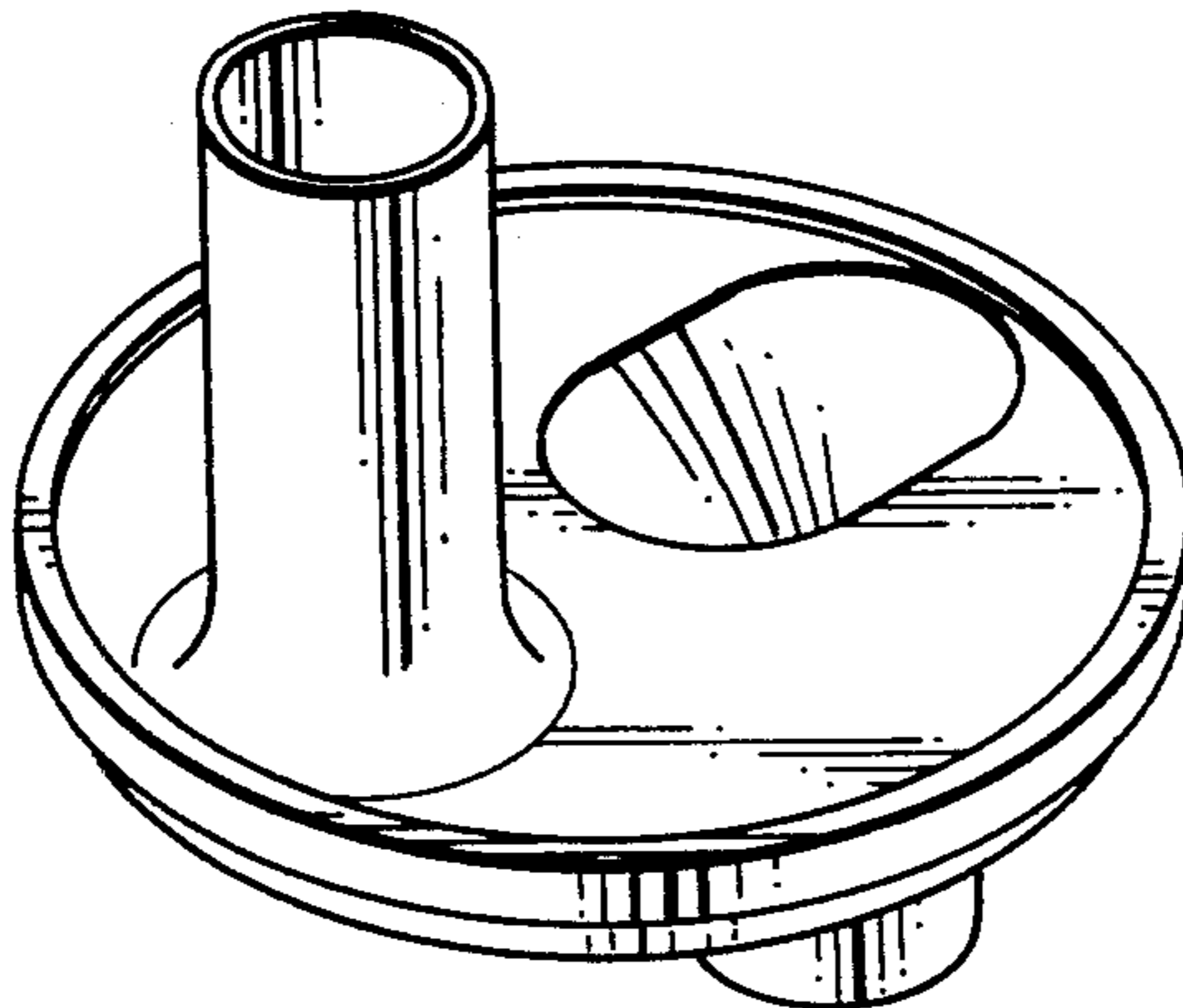
Primary Examiner—Bernard Ansher
Assistant Examiner—Linda Titolo
Attorney, Agent, or Firm—Michael J. Caddell

[57] **CLAIM**

The ornamental design for a combined closure and pouring spout therefor, as shown and described.

DESCRIPTION

FIG. 1 is a top perspective view of a combined closure and pouring spout therefor, showing my new design; FIG. 2 is a right side elevational view thereof; FIG. 3 is a left side elevational view thereof; FIG. 4 is a front elevational view thereof; FIG. 5 is a rear elevational view thereof; FIG. 6 is a top plan view thereof; and FIG. 7 is a bottom plan view thereof.



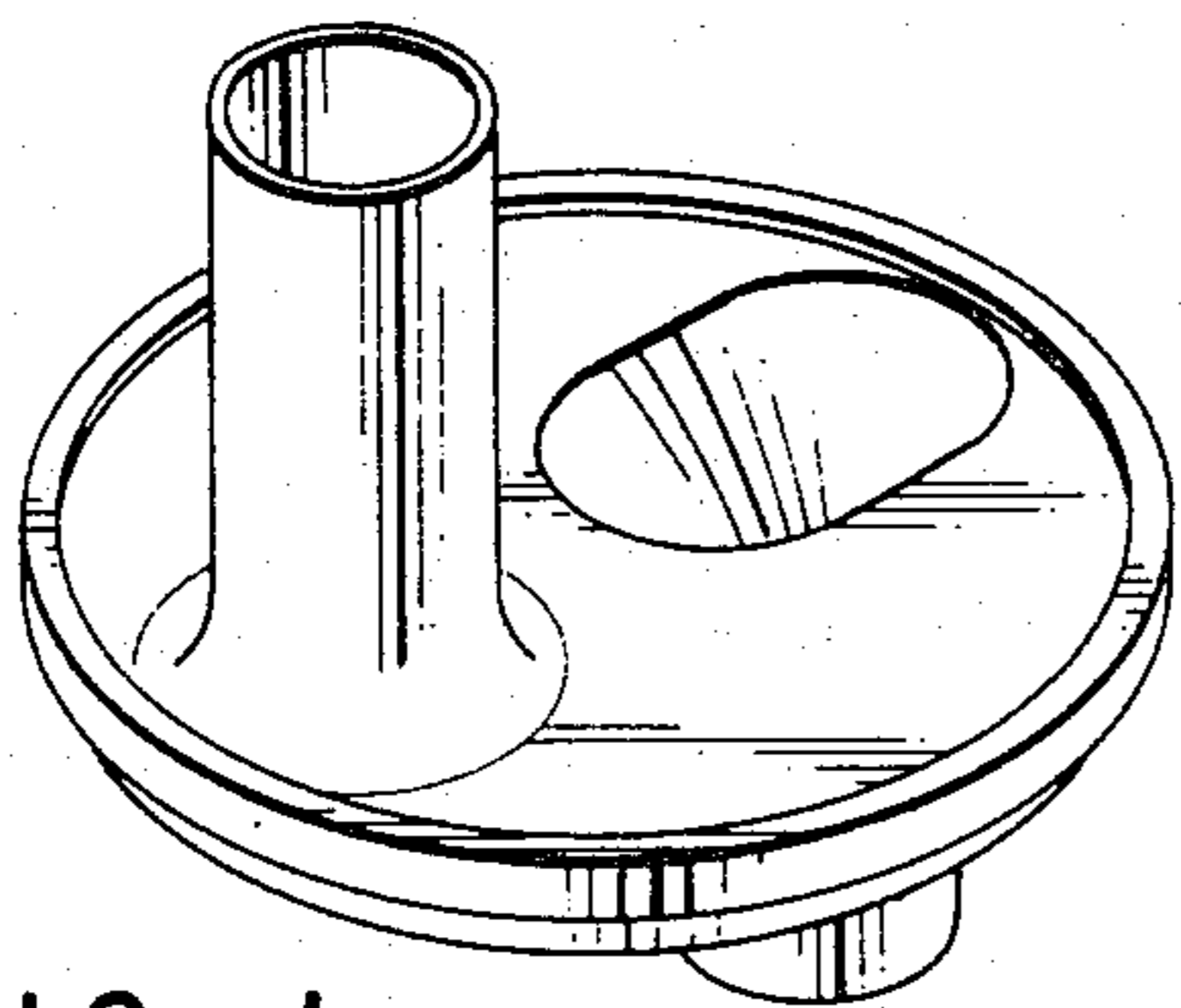


FIG. 1

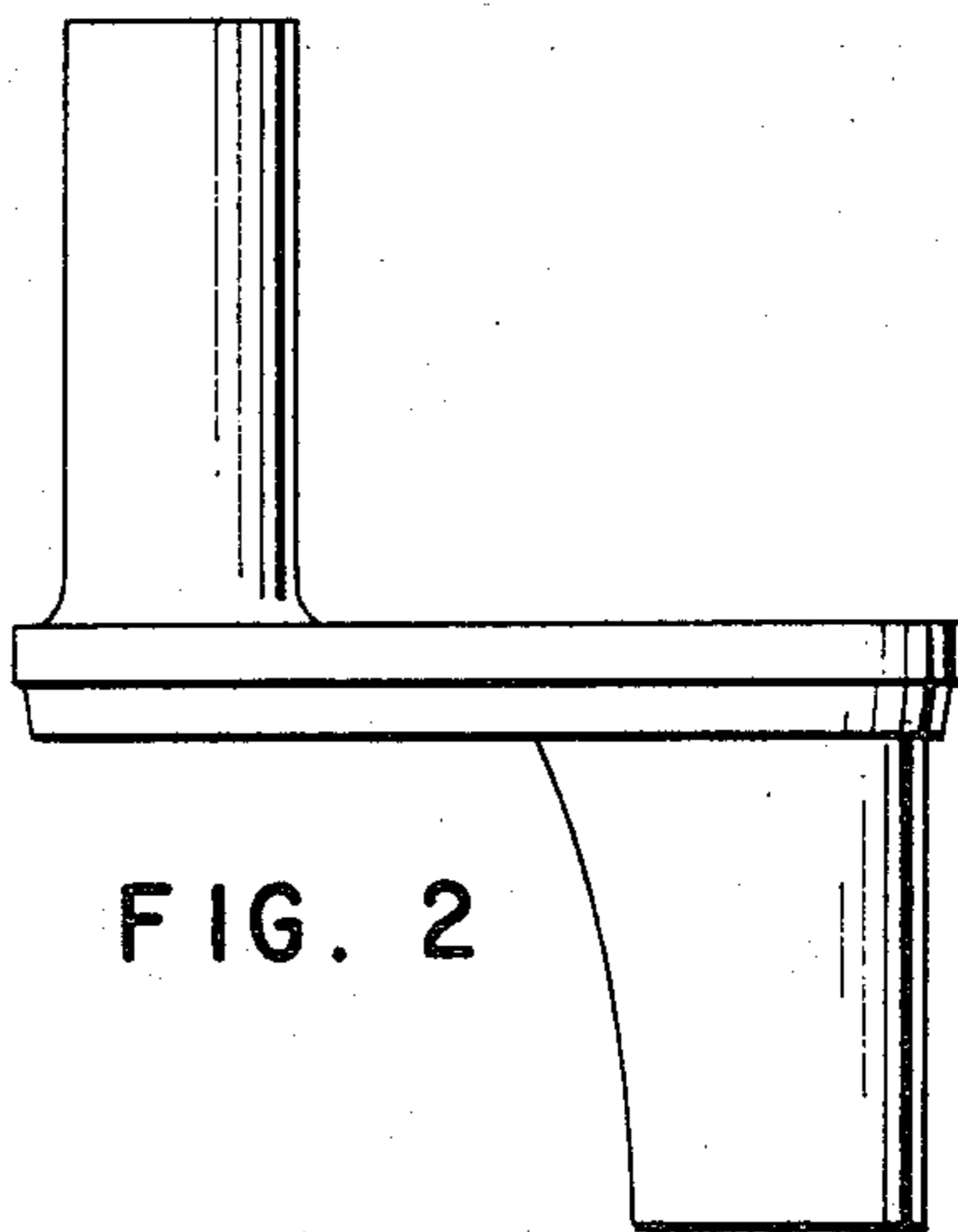


FIG. 2

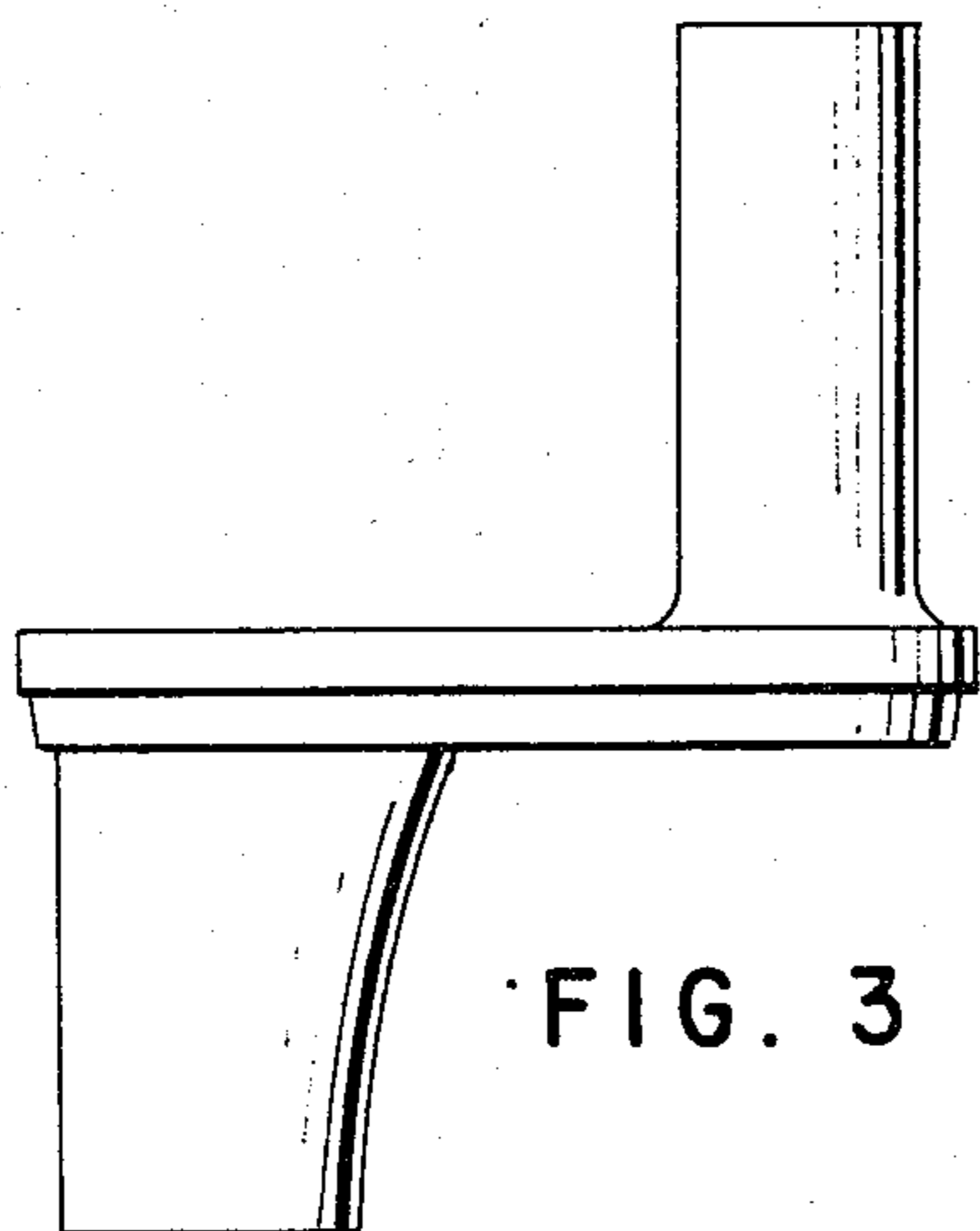


FIG. 3

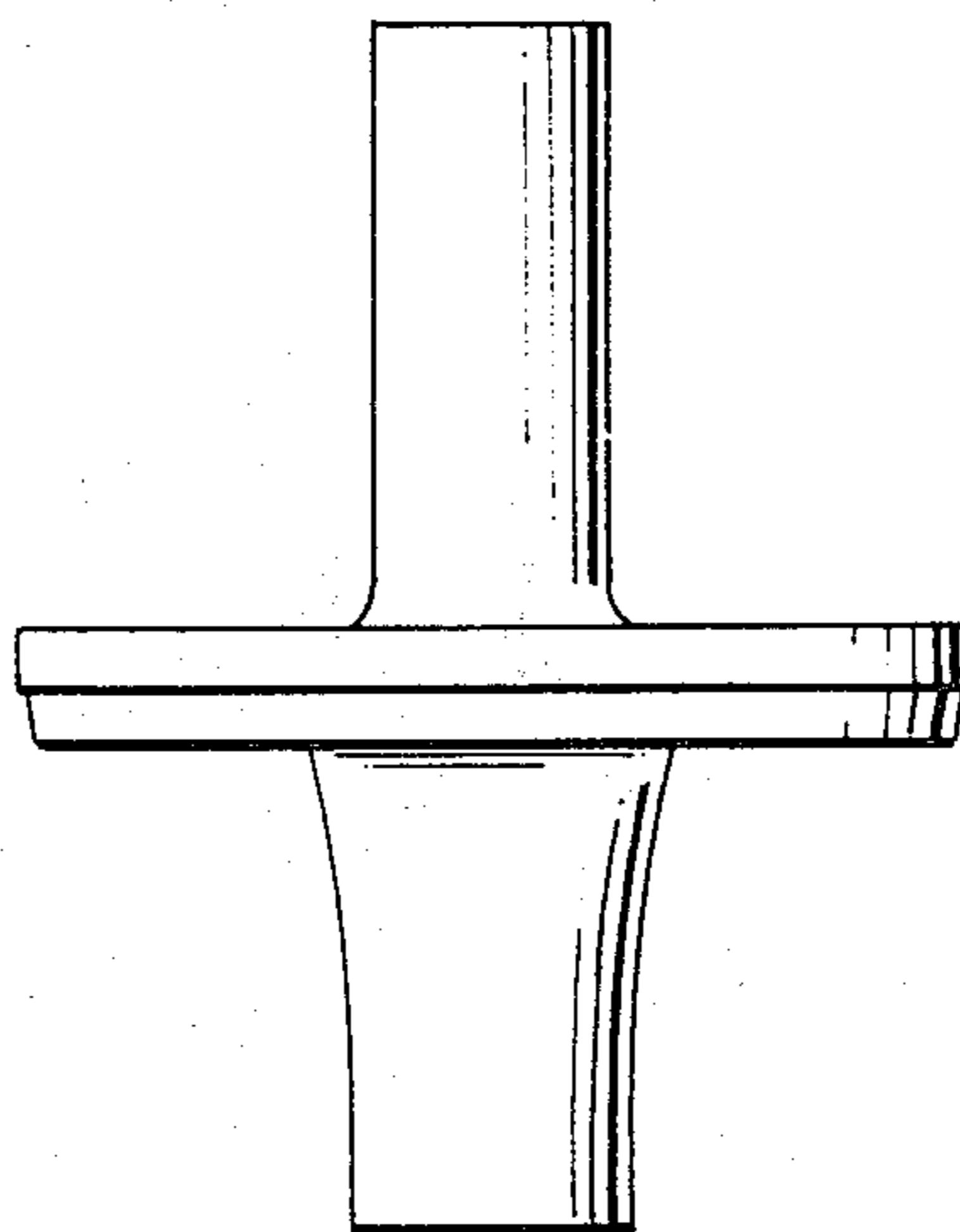


FIG. 4

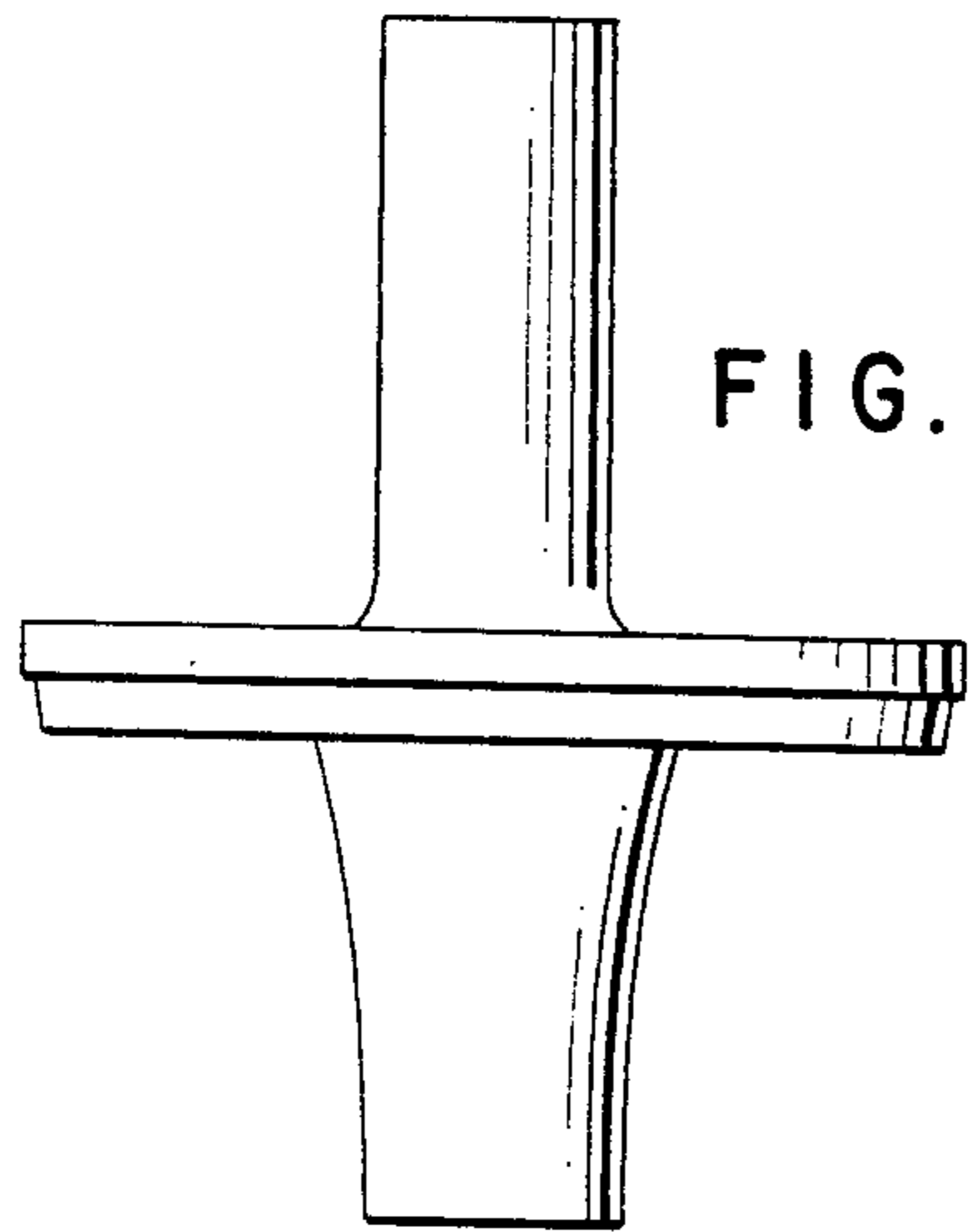


FIG. 5

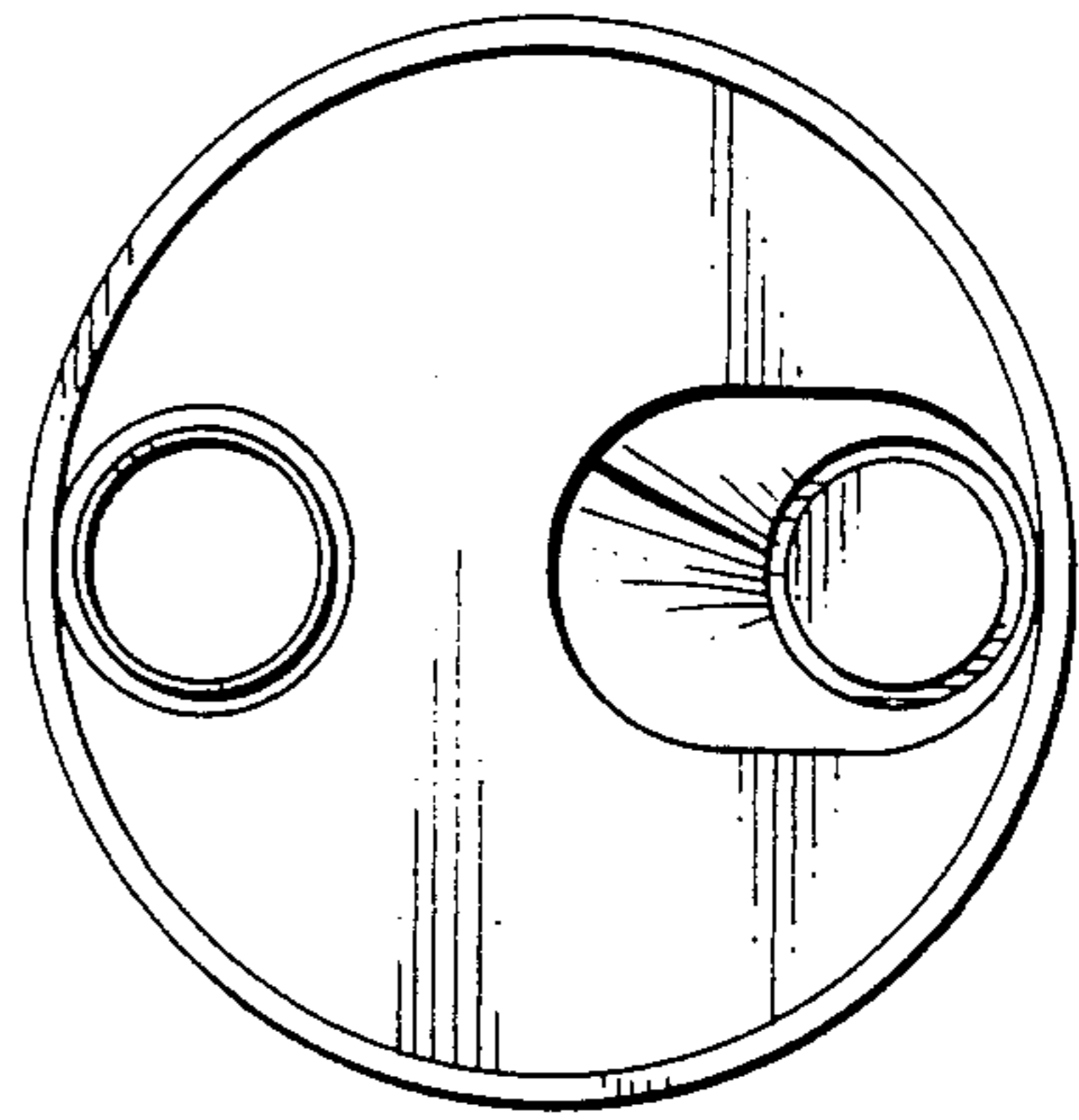


FIG. 6

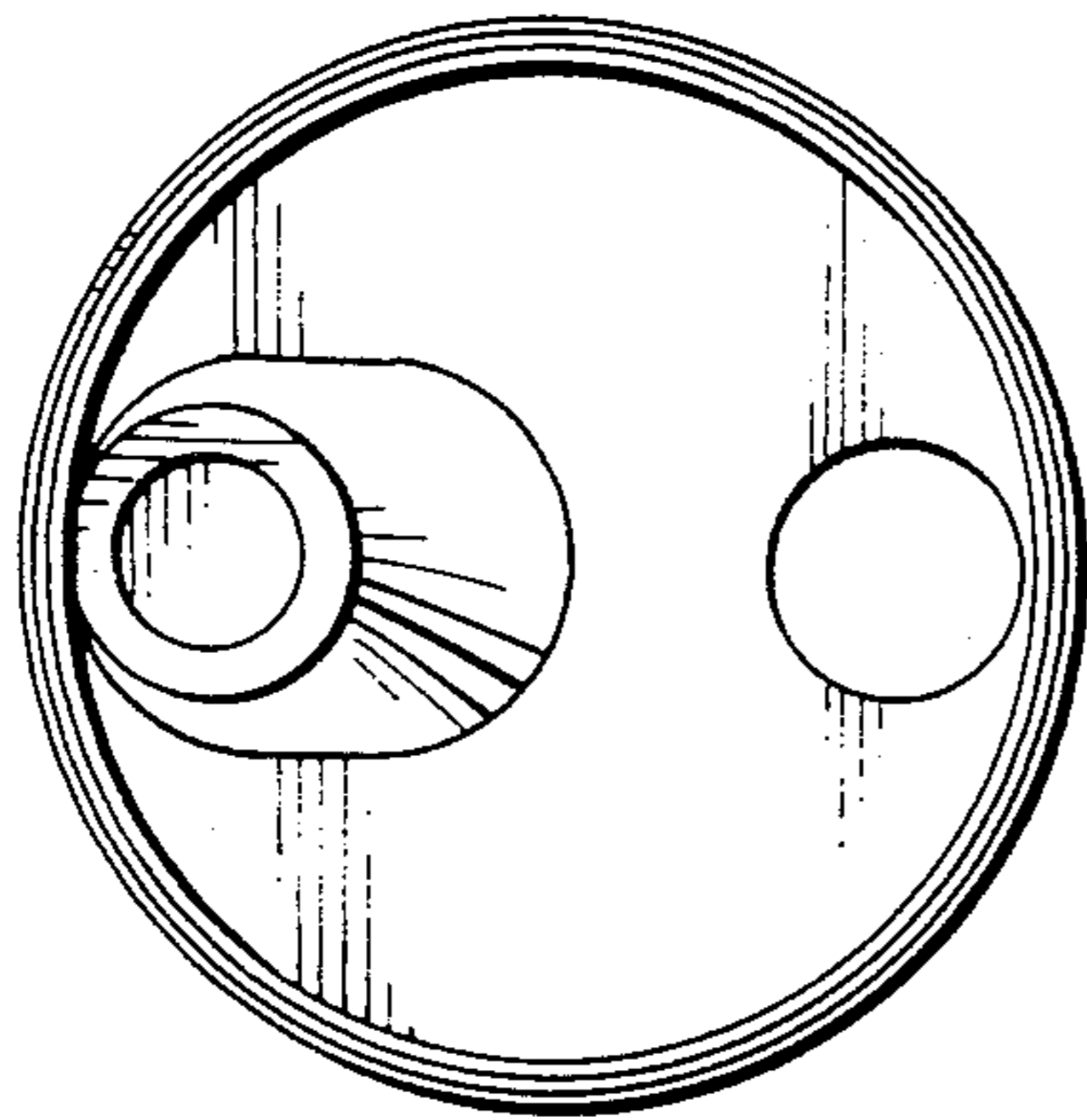


FIG. 7